



US00D517360S

(12) **United States Design Patent**  
**Chen**

(10) **Patent No.:** **US D517,360 S**  
(45) **Date of Patent:** **\*\* Mar. 21, 2006**

(54) **POST FOR BATH ACCESSORY**

(76) Inventor: **Lien-Fu Chen**, No. 11, Lane 66, Fu Dong Street, Fu Shan Li, Chung Hua City (TW)

(\*\*) Term: **14 Years**

(21) Appl. No.: **29/218,375**

(22) Filed: **Dec. 1, 2004**

(51) **LOC (8) Cl.** ..... **06-04**

(52) **U.S. Cl.** ..... **D6/550**

(58) **Field of Classification Search** ..... D6/546-550,  
D6/518-523; D8/300, 303, 315-321, 349,  
D8/354, 363, 373, 380; 108/28-29; 248/175,  
248/176.1, 251, 302, 309.1; 16/110.1, 412,  
16/415; 242/570, 590, 595-598; 211/13.1,  
211/16, 60.1, 100, 86.01, 87.01, 88.01, 88.04,  
211/105.1-105.2, 123, 182, 181.1  
See application file for complete search history.

(56) **References Cited**

**U.S. PATENT DOCUMENTS**

D417,995 S \* 12/1999 Chen ..... D6/550  
D449,949 S \* 11/2001 Hsieh ..... D6/524  
D466,348 S \* 12/2002 Yen ..... D6/550

D466,745 S \* 12/2002 Chou ..... D6/550  
D469,644 S \* 2/2003 Yen ..... D6/550  
D477,486 S \* 7/2003 Green ..... D6/550  
D504,042 S \* 4/2005 Wu ..... D6/550

\* cited by examiner

*Primary Examiner*—Brian N Vinson  
(74) *Attorney, Agent, or Firm*—Charles E. Barley

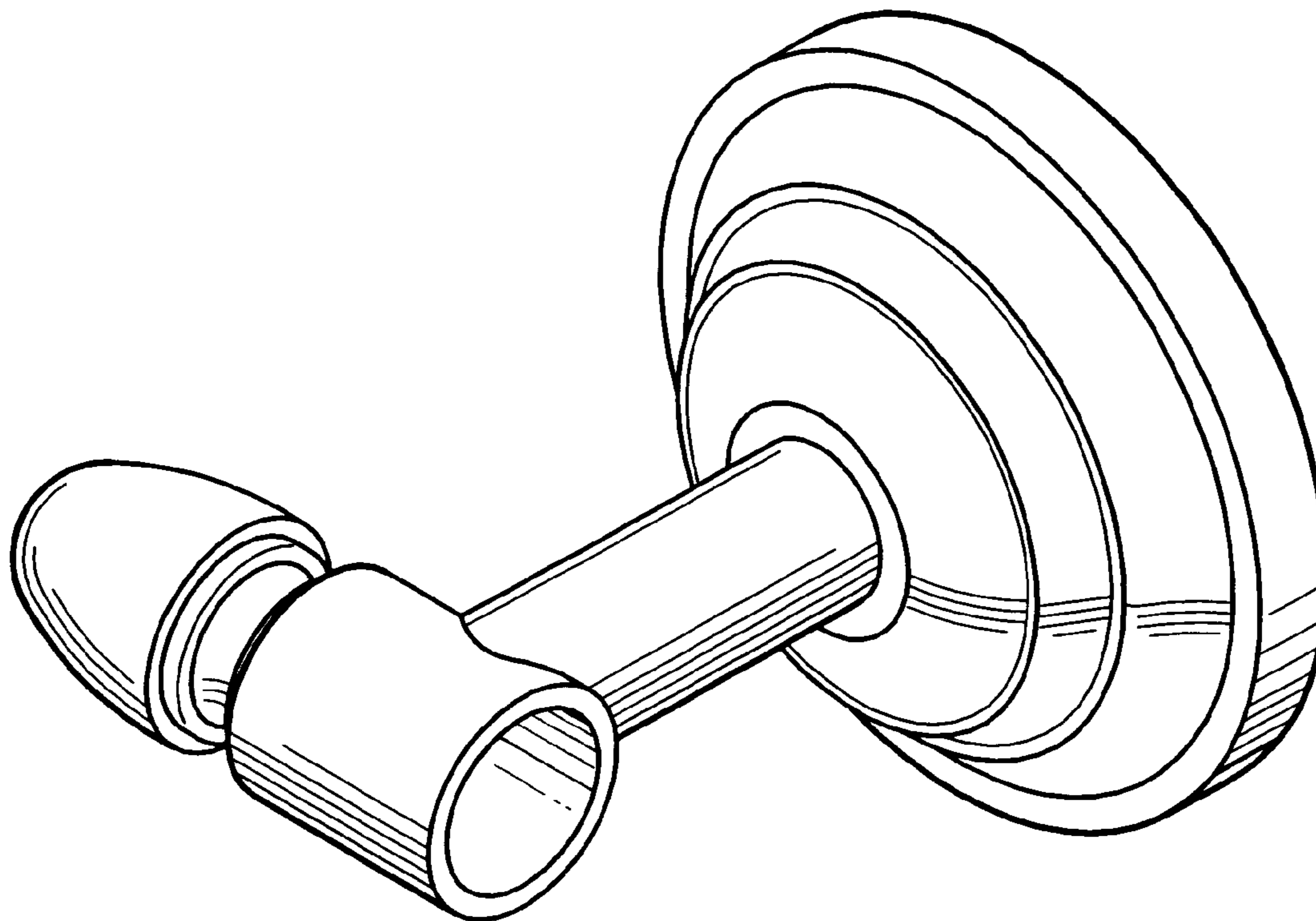
(57) **CLAIM**

The ornamental design for a post for bath accessory, as shown and described.

**DESCRIPTION**

FIG. 1 is a perspective view of a post for bath accessory showing my new design;  
FIG. 2 is a front elevational view thereof;  
FIG. 3 is a rear elevational view thereof;  
FIG. 4 is a left side elevational view thereof;  
FIG. 5 is a right side elevational view thereof;  
FIG. 6 is a top plan view thereof;  
FIG. 7 is a bottom plan view thereof; and,  
FIG. 8 is a reduced top, front, and right side perspective view thereof, with the broken-line disclosure of a towel bar being for illustrative purposes only and forming no part of the claimed design.

**1 Claim, 5 Drawing Sheets**



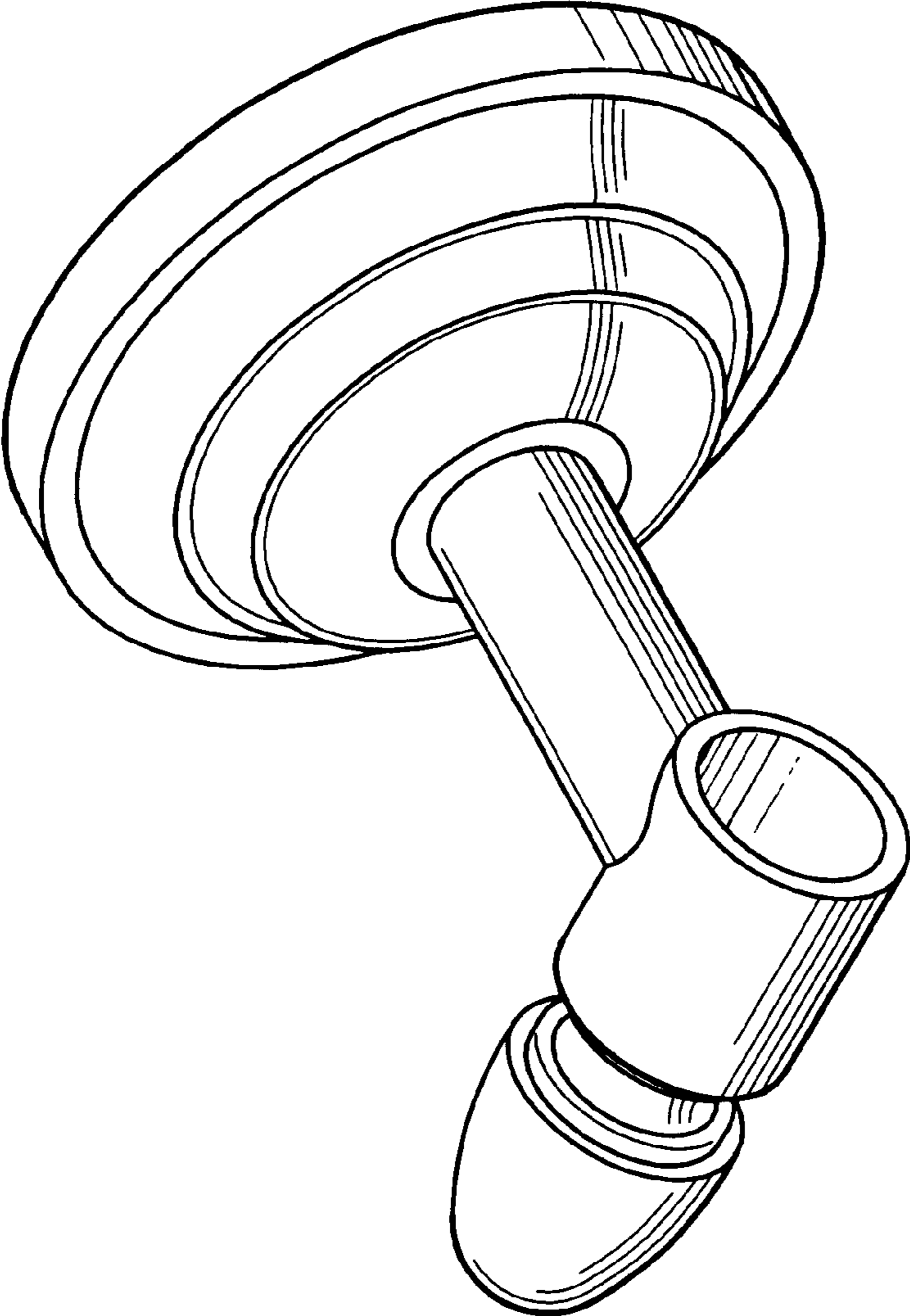


FIG. 1

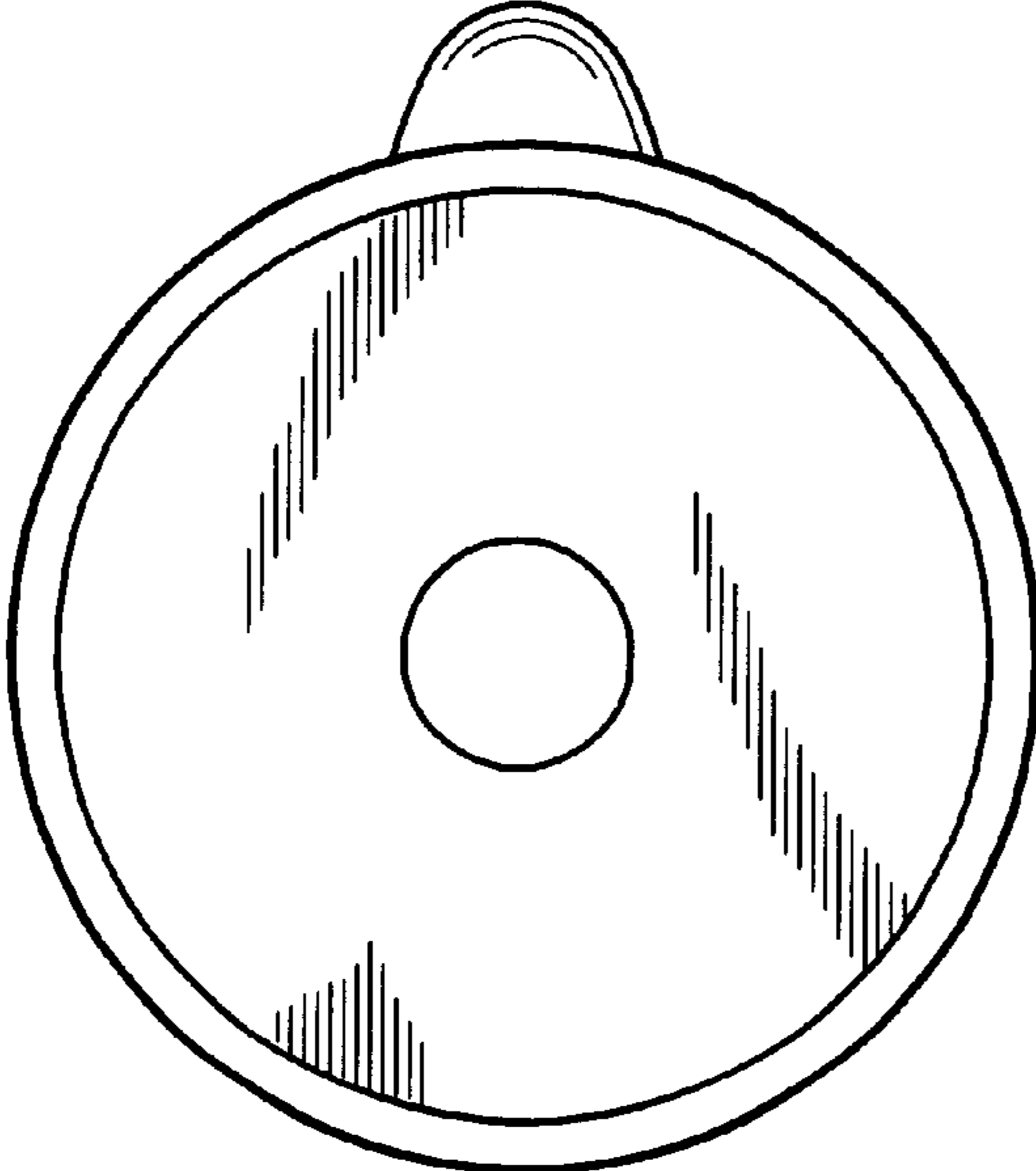


FIG. 3

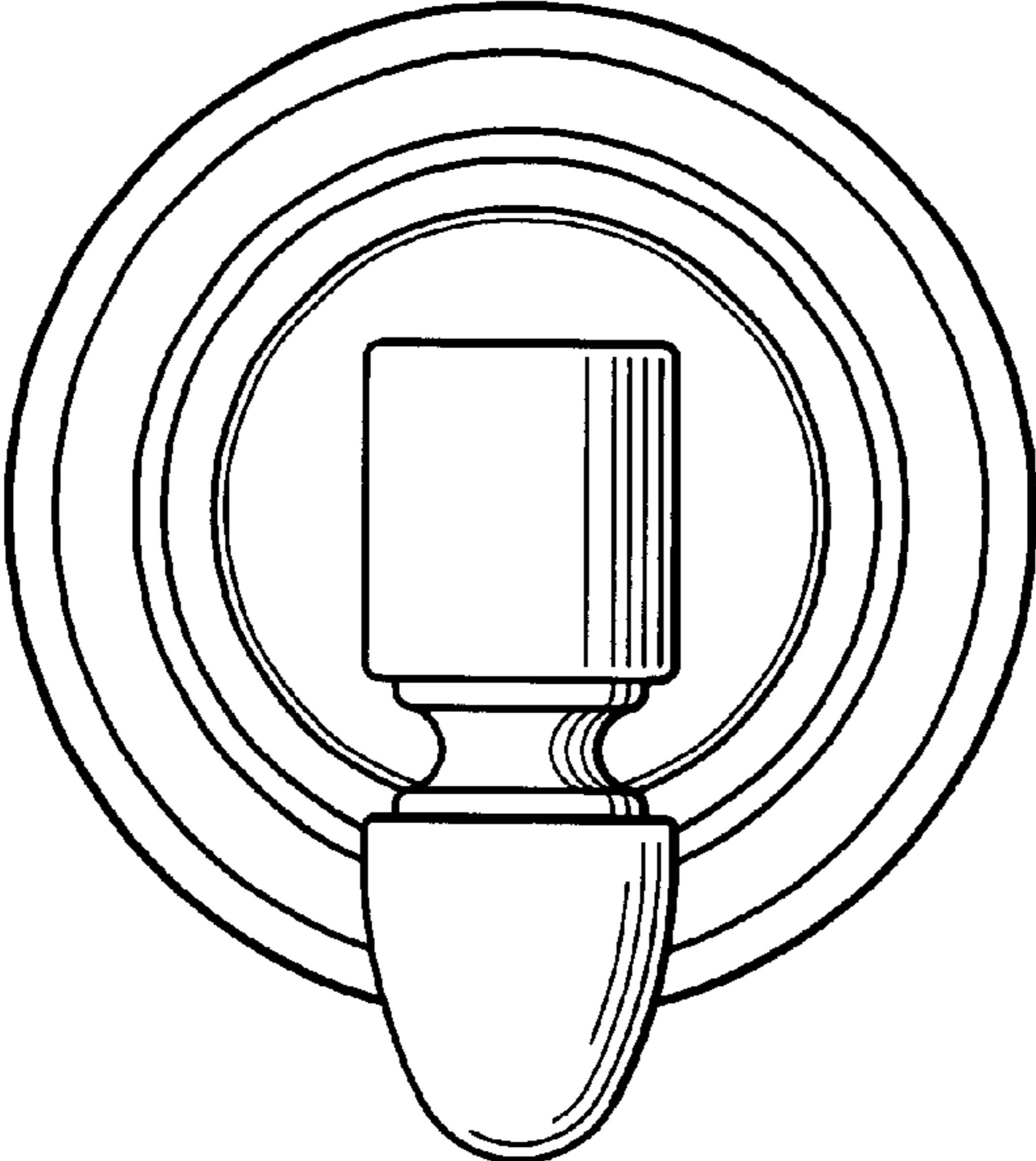


FIG. 2

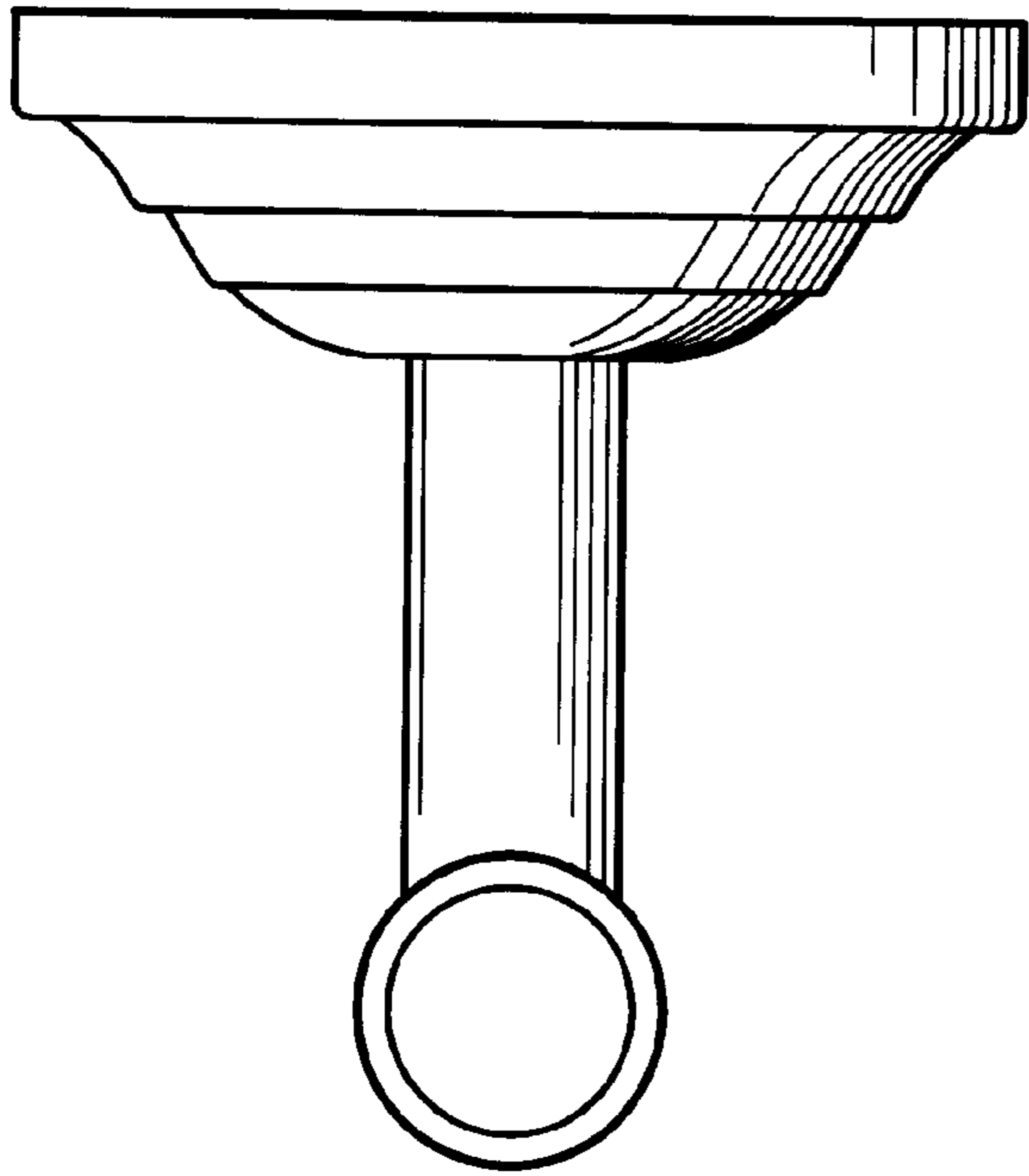


FIG. 4

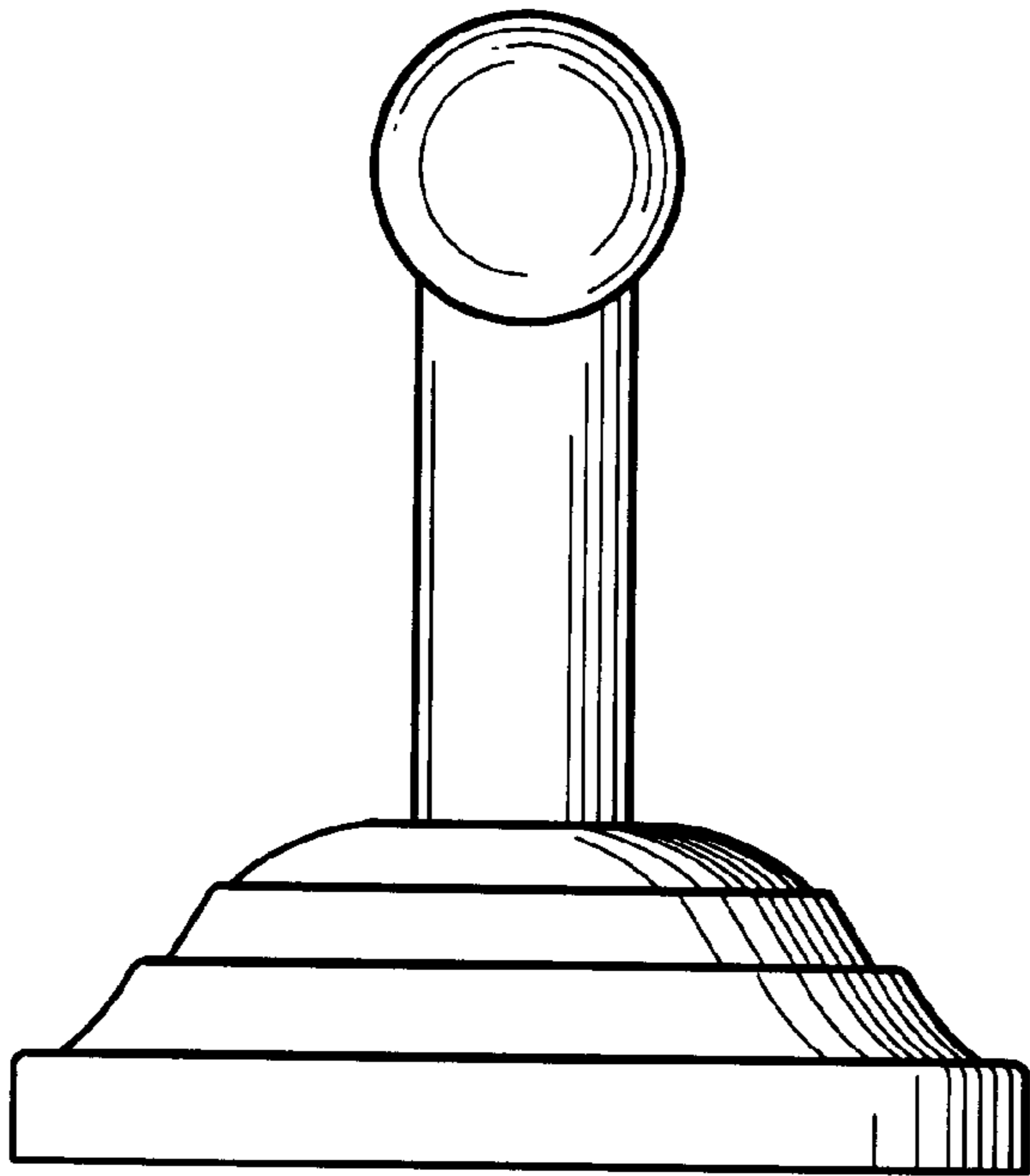


FIG. 5

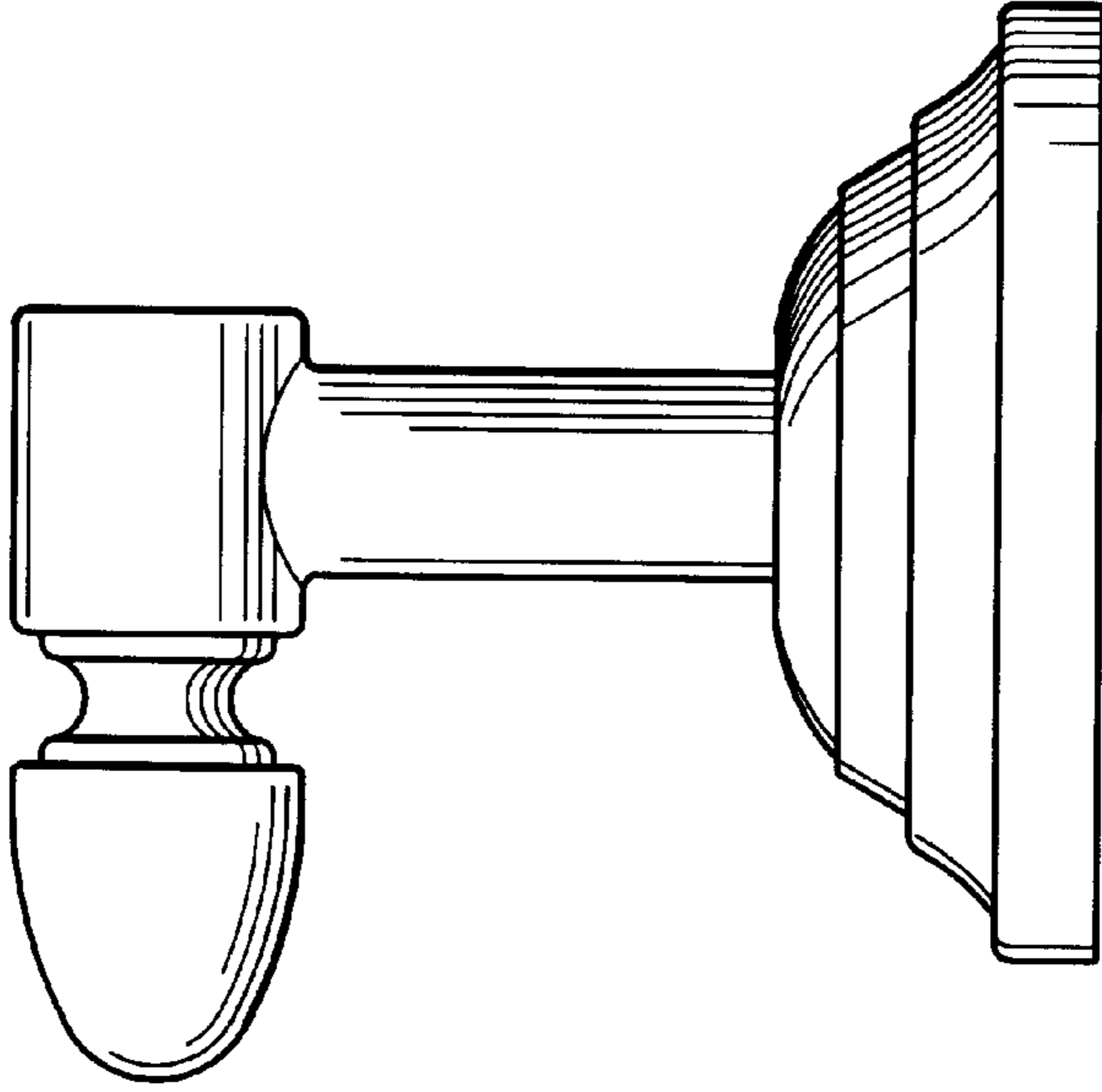


FIG. 7

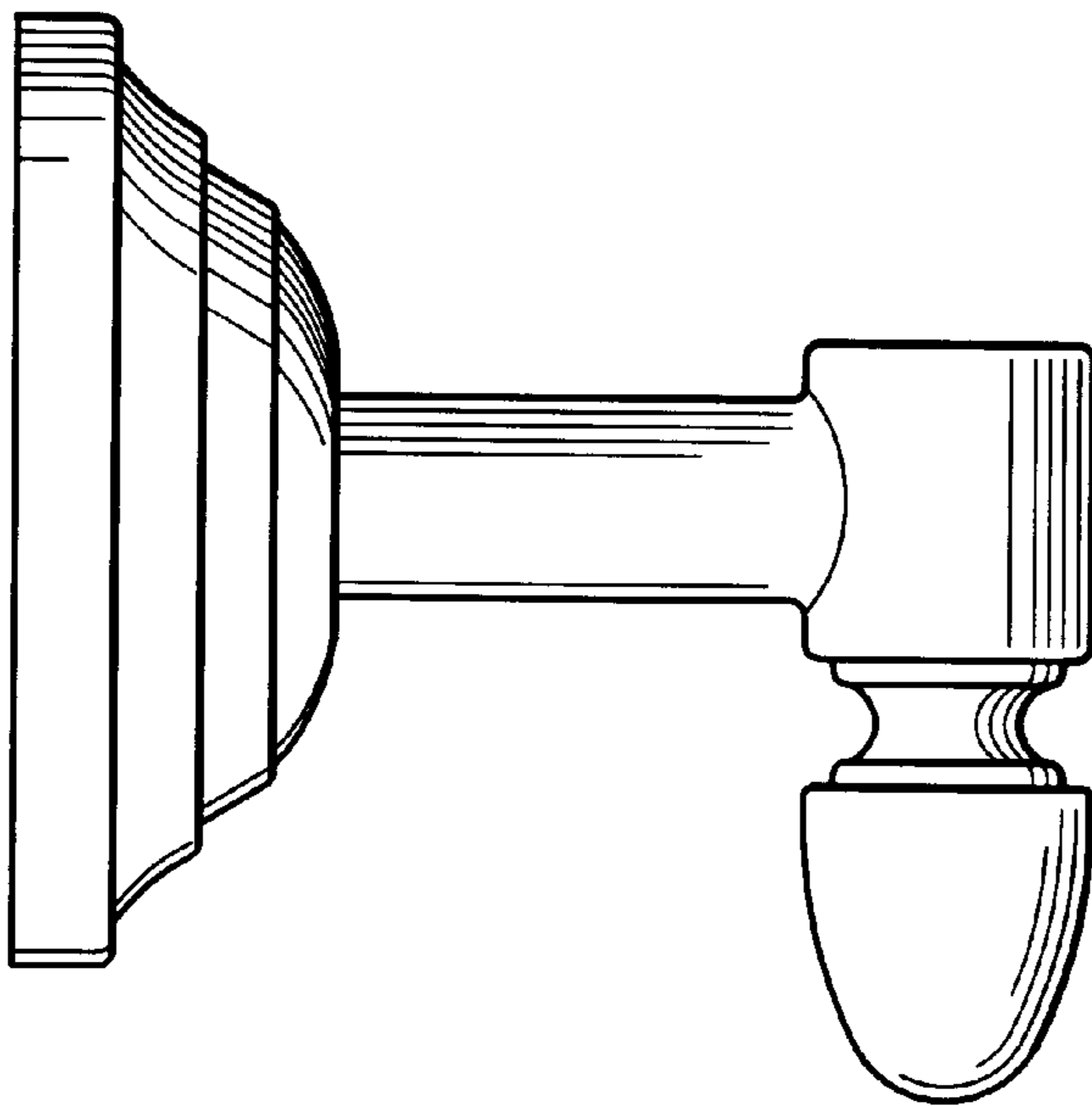


FIG. 6

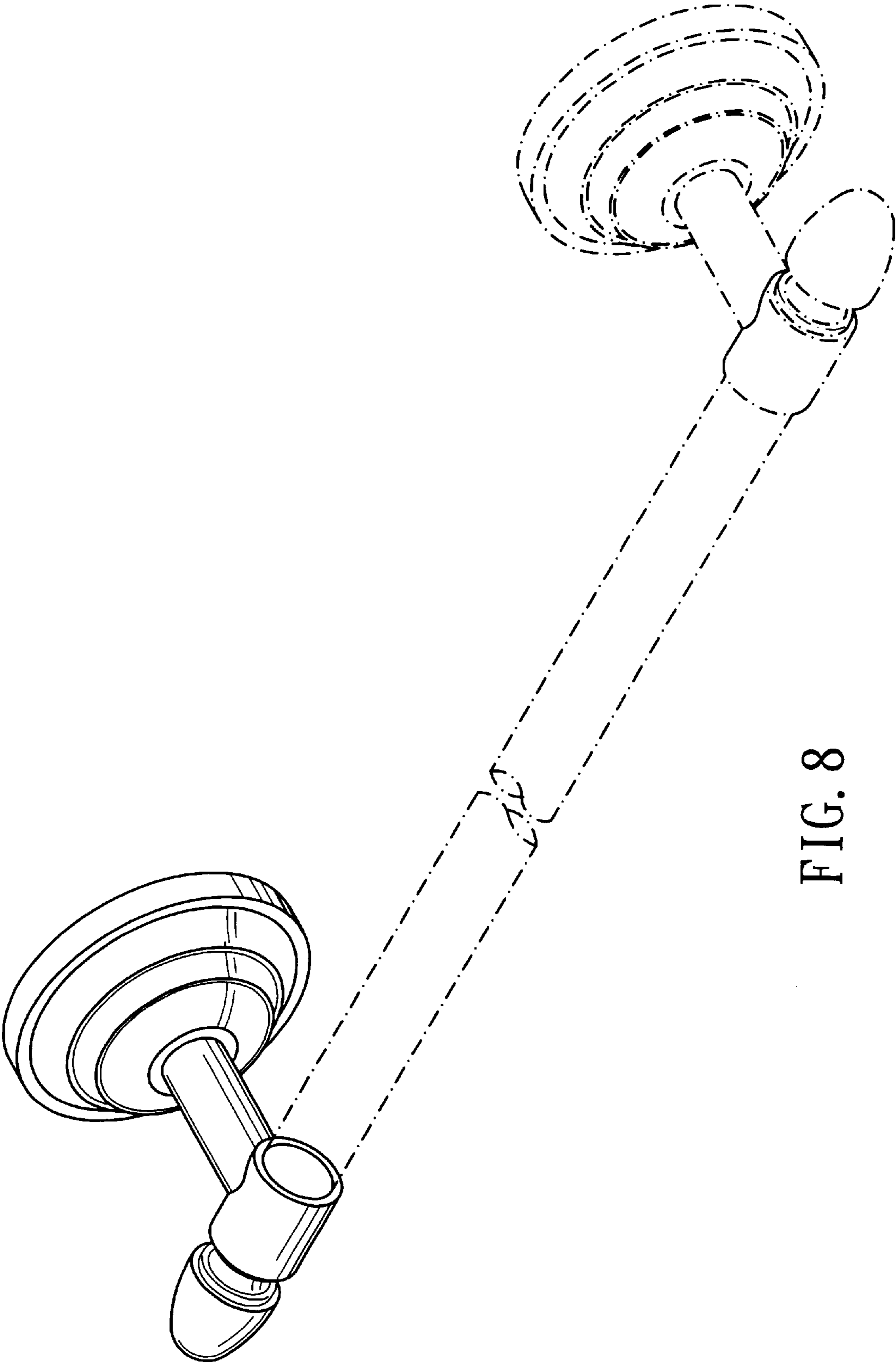


FIG. 8