



US00D517356S

(12) **United States Design Patent**
Sterner

(10) **Patent No.:** **US D517,356 S**
(45) **Date of Patent:** **** Mar. 21, 2006**

- (54) **CHAIR ARM**
- (76) Inventor: **Paul Ervin Sterner**, 172 E. Burlington St., Riverside, IL (US) 60546
- (**) Term: **14 Years**
- (21) Appl. No.: **29/222,549**
- (22) Filed: **Feb. 1, 2005**
- (51) **LOC (8) Cl.** **06-06**
- (52) **U.S. Cl.** **D6/501**
- (58) **Field of Classification Search** D6/334, D6/371, 372, 373, 374, 376, 379, 380, 500-502; 297/445.1, 447.1, 447.3, 448.1, 448.2
See application file for complete search history.

(56) **References Cited**

U.S. PATENT DOCUMENTS

- D101,570 S * 10/1936 Vavrik D6/379
- D269,830 S * 7/1983 Nijhuis D6/373
- D278,286 S * 4/1985 Lowrey D6/372
- D319,930 S * 9/1991 Glendinning D6/370
- D327,990 S * 7/1992 Glendinning D6/379

D336,792 S * 6/1993 White, Jr. D6/379

* cited by examiner

Primary Examiner—Mimosa De

(57) **CLAIM**

The ornamental design for a chair arm, as shown and described herein.

DESCRIPTION

FIG. 1 illustrates an inside perspective view of a first embodiment of a opposite chair arm in accordance with the present invention.

FIG. 2 illustrates an outside perspective view of the chair arm shown in FIG. 1.

FIG. 3 illustrates an outside side view of the chair arm shown in FIG. 2.

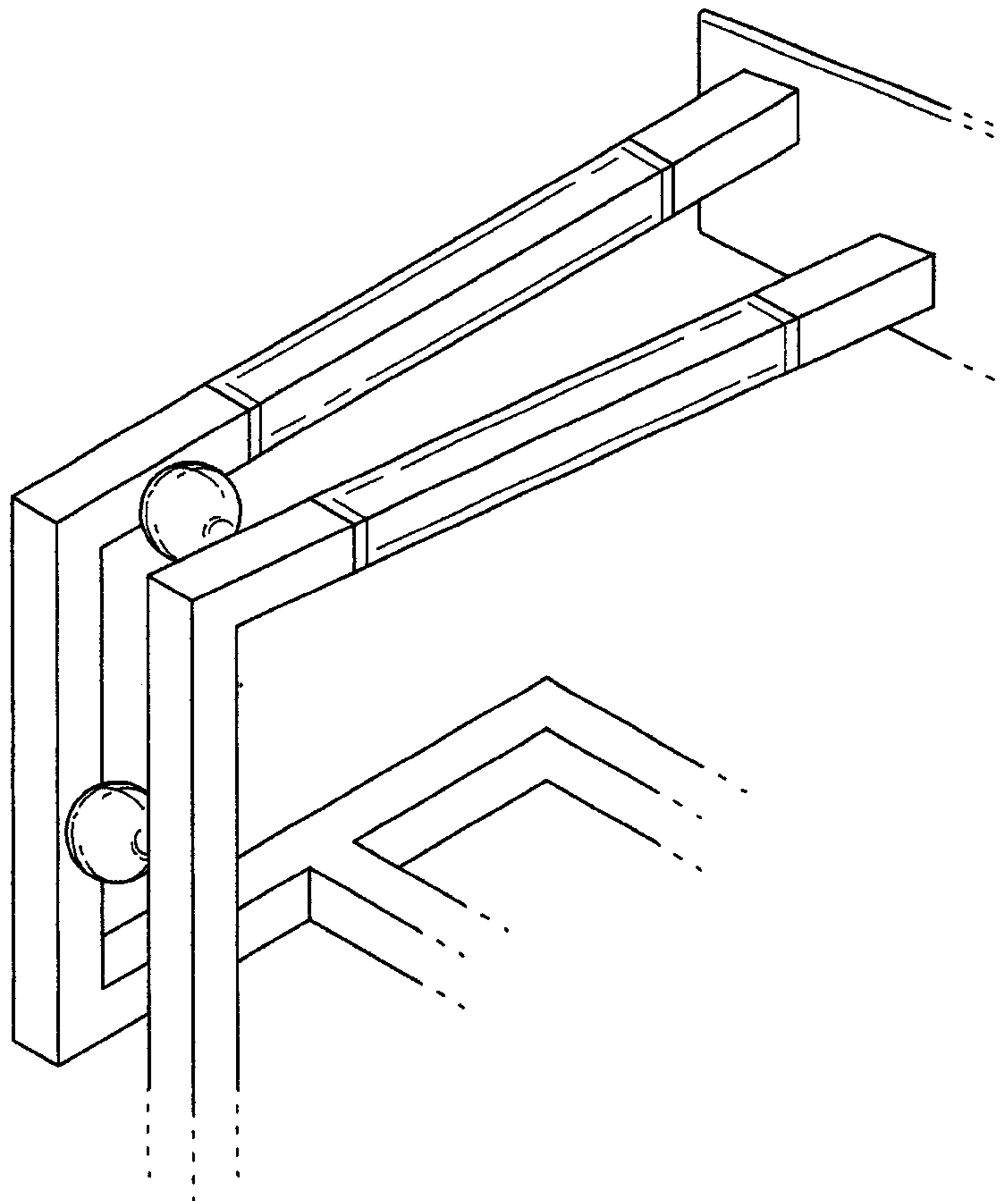
FIG. 4 illustrates a front view of the chair arm shown in FIG. 2.

FIG. 5 illustrates a top view of the chair arm shown in FIG. 2; and,

FIG. 6 illustrates an inside side view of the chair shown in FIG. 2.

The broken lines shown in the drawing are for illustrative purposes only and form no part of the claimed design.

1 Claim, 4 Drawing Sheets



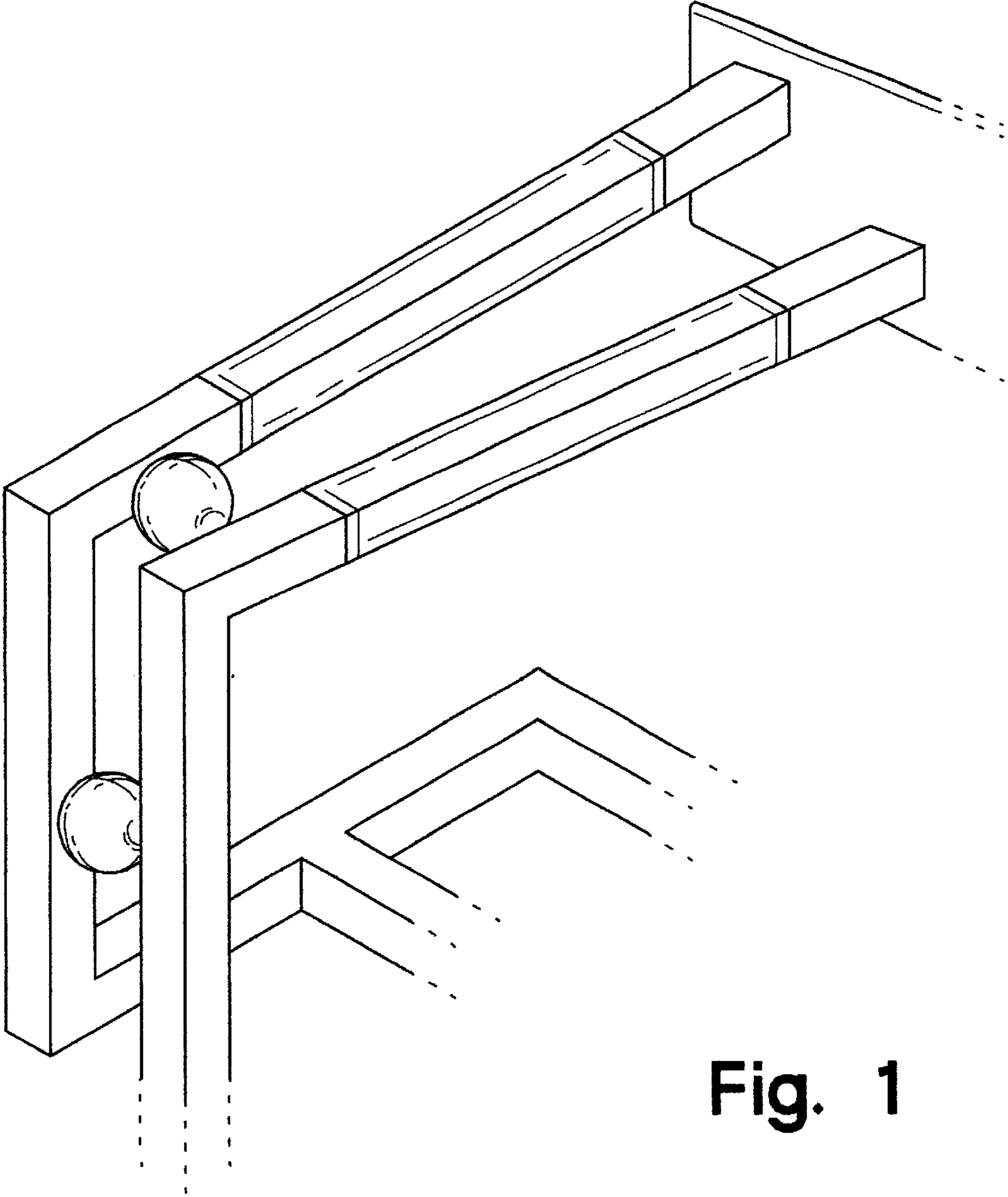


Fig. 1

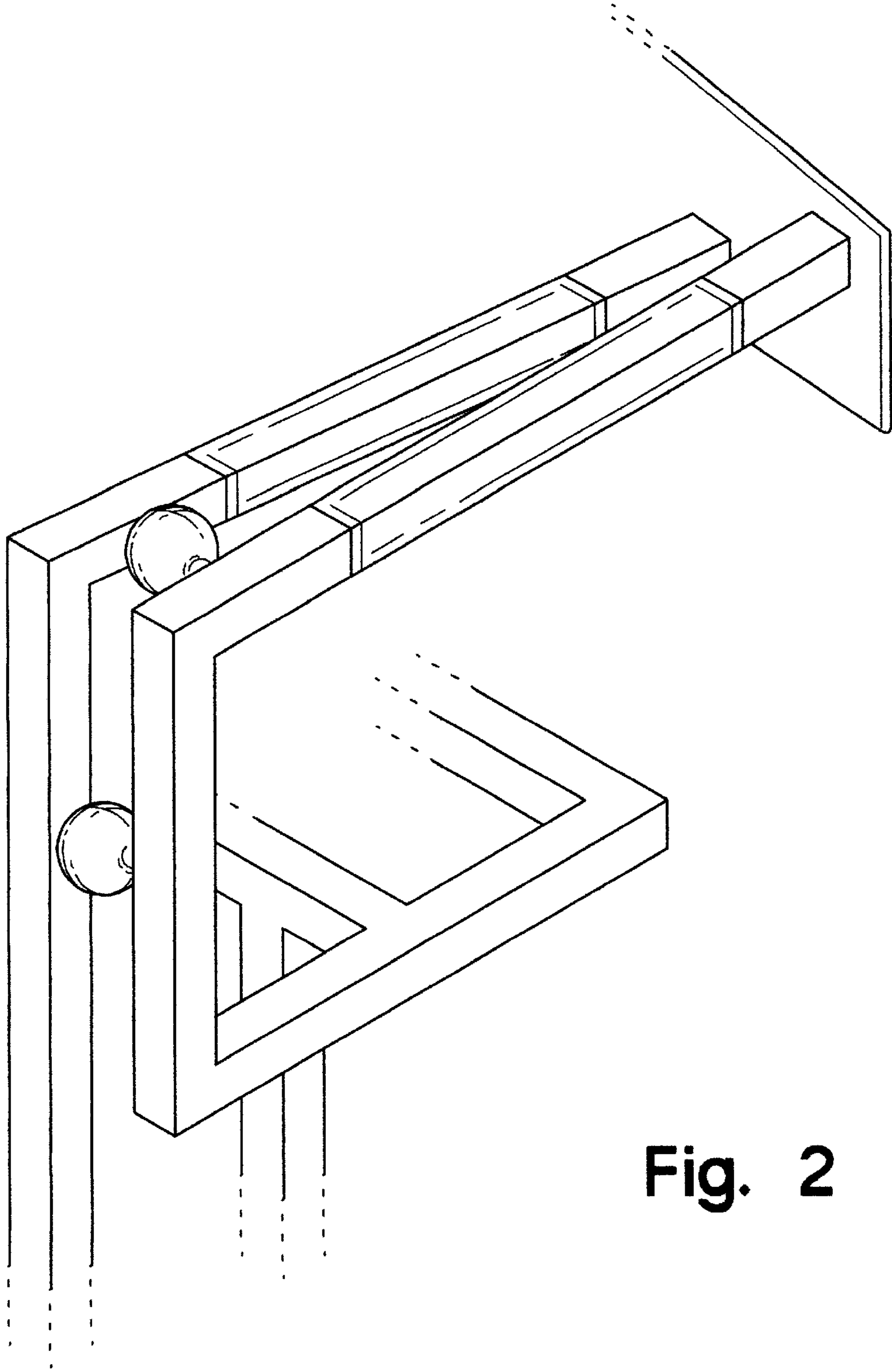


Fig. 2

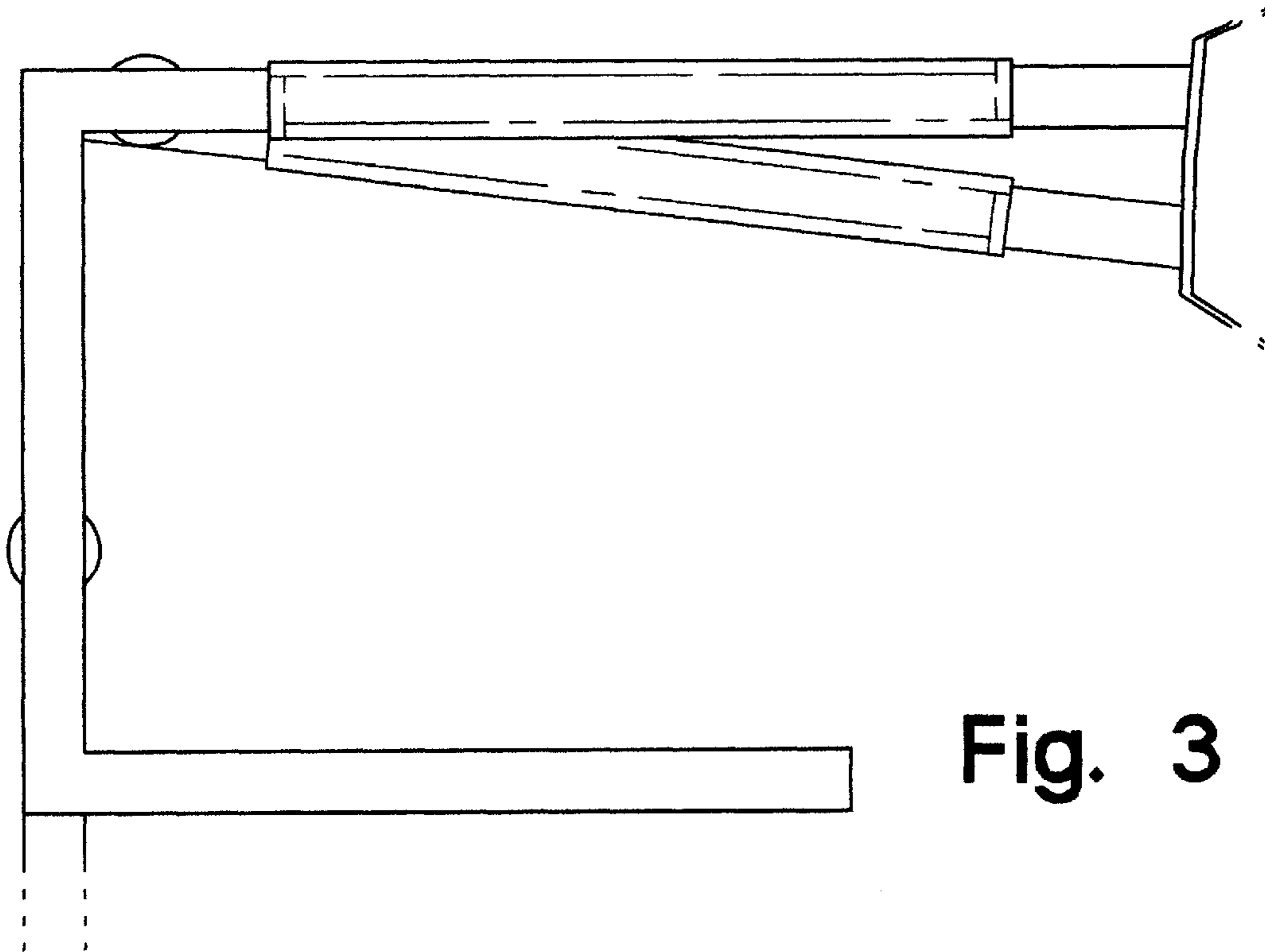


Fig. 3

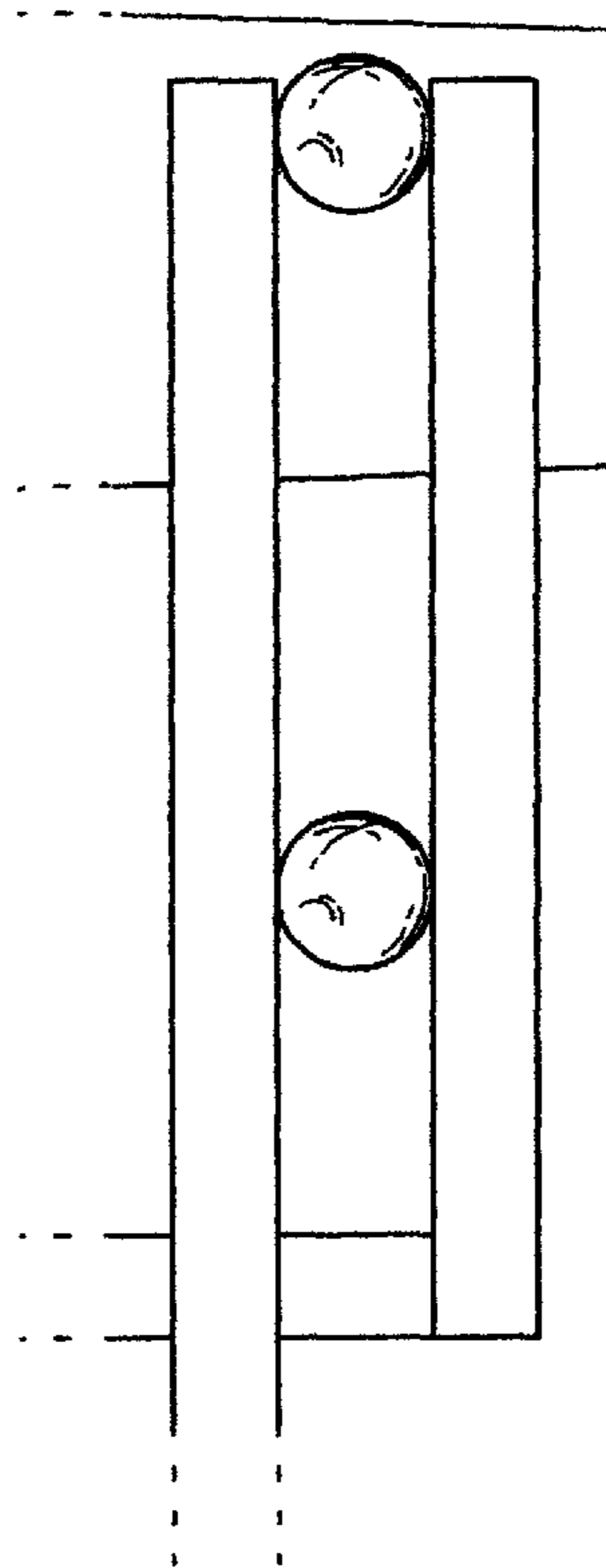


Fig. 4

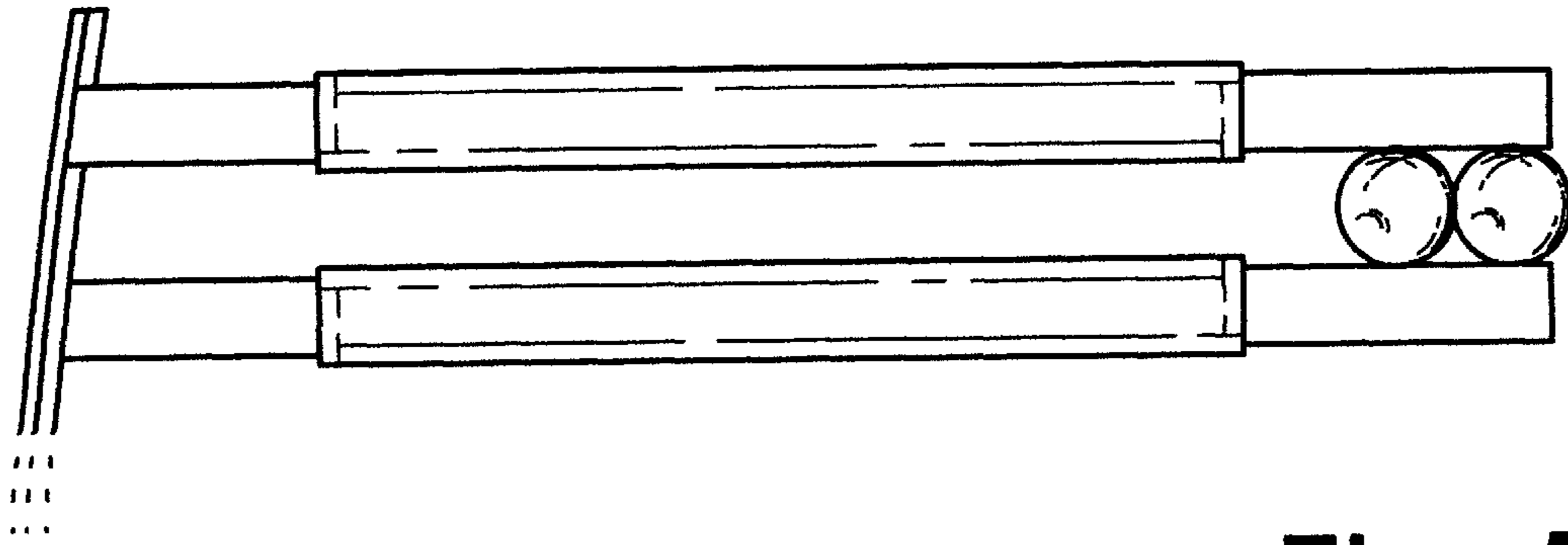


Fig. 5

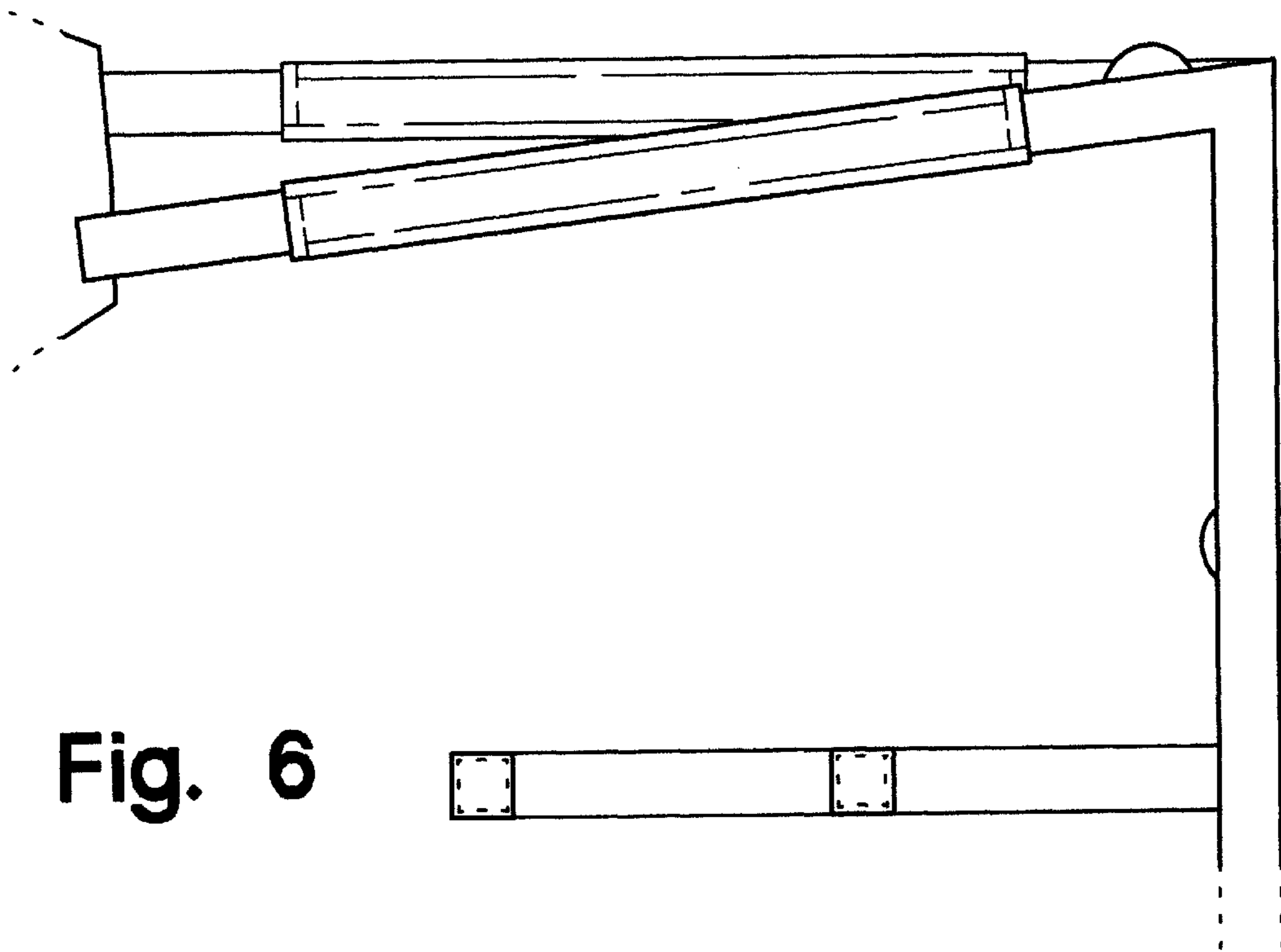


Fig. 6