



US00D517355S

(12) **United States Design Patent**
Strong

(10) **Patent No.: US D517,355 S**

(45) **Date of Patent: ** Mar. 21, 2006**

- (54) **LEG SUPPORT FOR A TABLE**
- (75) Inventor: **L. Curtis Strong**, Clearfield, UT (US)
- (73) Assignee: **Lifetime Products, Inc.**, Clearfield, UT (US)
- (**) Term: **14 Years**
- (21) Appl. No.: **29/232,905**
- (22) Filed: **Jun. 24, 2005**

3,855,946 A	*	12/1974	Bales	108/147.21
D248,139 S	*	6/1978	Petersen	D6/480
4,597,553 A	*	7/1986	Rorabaugh	248/440
6,109,687 A	*	8/2000	Nye et al.	297/158.4
D468,139 S	*	1/2003	Strong	D9/499
6,843,183 B1	*	1/2005	Strong	108/147.19

* cited by examiner

Primary Examiner—Janice E. Seeger
(74) *Attorney, Agent, or Firm*—Workman Nydegger

(57) **CLAIM**

The ornamental design for a leg support for a table, as shown and described.

Related U.S. Application Data

- (62) Division of application No. 29/208,922, filed on Jul. 8, 2004.
- (51) **LOC (8) Cl.** **06-06**
- (52) **U.S. Cl.** **D6/495; D6/496; D6/499**
- (58) **Field of Classification Search** D6/480–489, D6/495–499, 511, 429–431; 108/150, 153.1, 108/155, 156, 157.1, 161, 130, 146, 147.19, 108/147.21; 248/188, 188.1, 188.8, 423
See application file for complete search history.

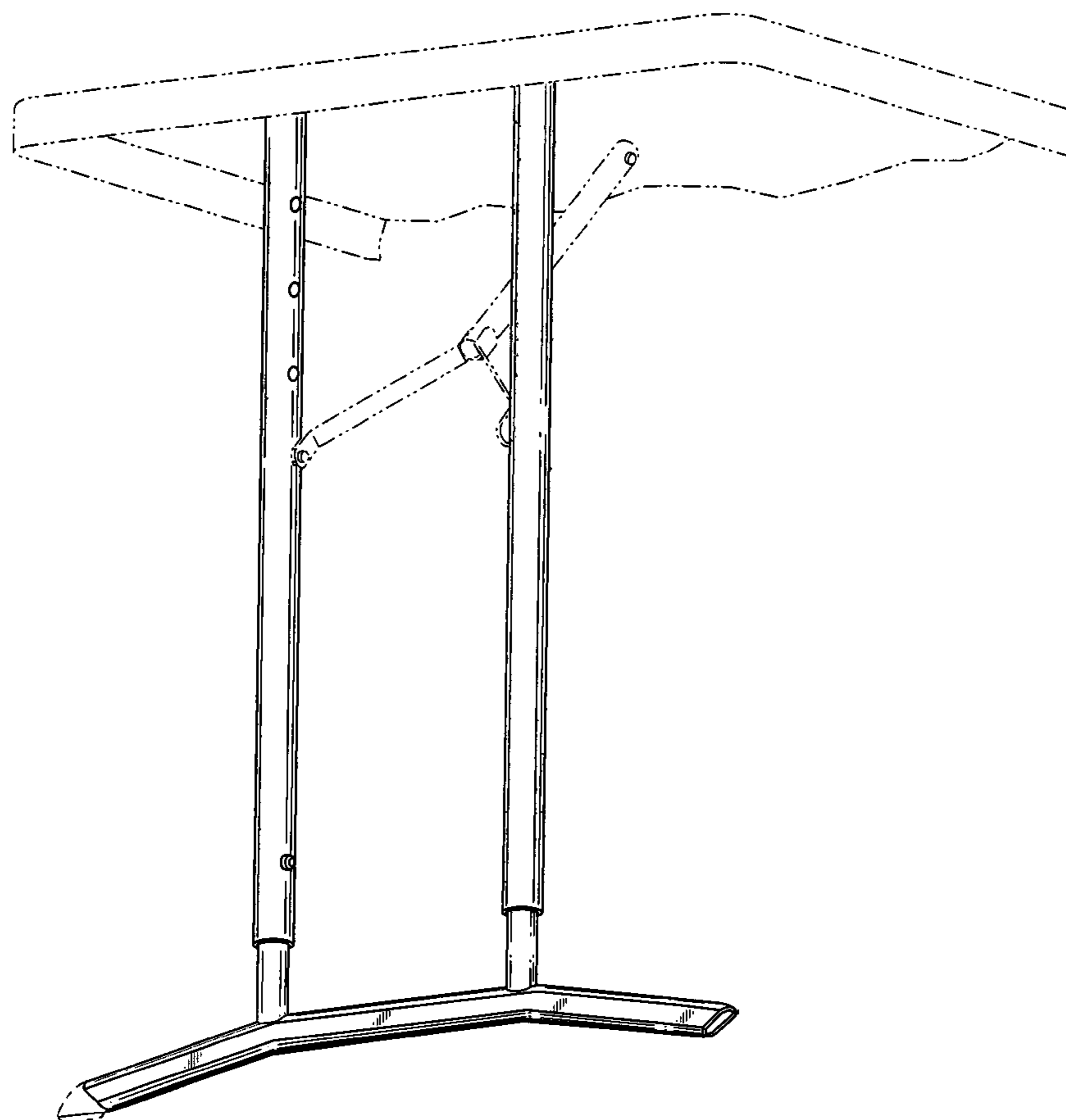
DESCRIPTION

FIG. 1 is a perspective view of a leg support for a table, illustrating a leg support that is adjustable in height;
 FIG. 2 is a front view of the leg support for a table shown in FIG. 1, with the back view being a mirror image thereof; and,
 FIG. 3 is a right side view of the leg support for a table shown in FIG. 1, with the left side being a mirror image thereof.
 The broken lines shown in the figures are for illustrative purposes only and form no part of the claimed design.

(56) **References Cited**
U.S. PATENT DOCUMENTS

3,357,729 A * 12/1967 Krueger 403/85

1 Claim, 3 Drawing Sheets



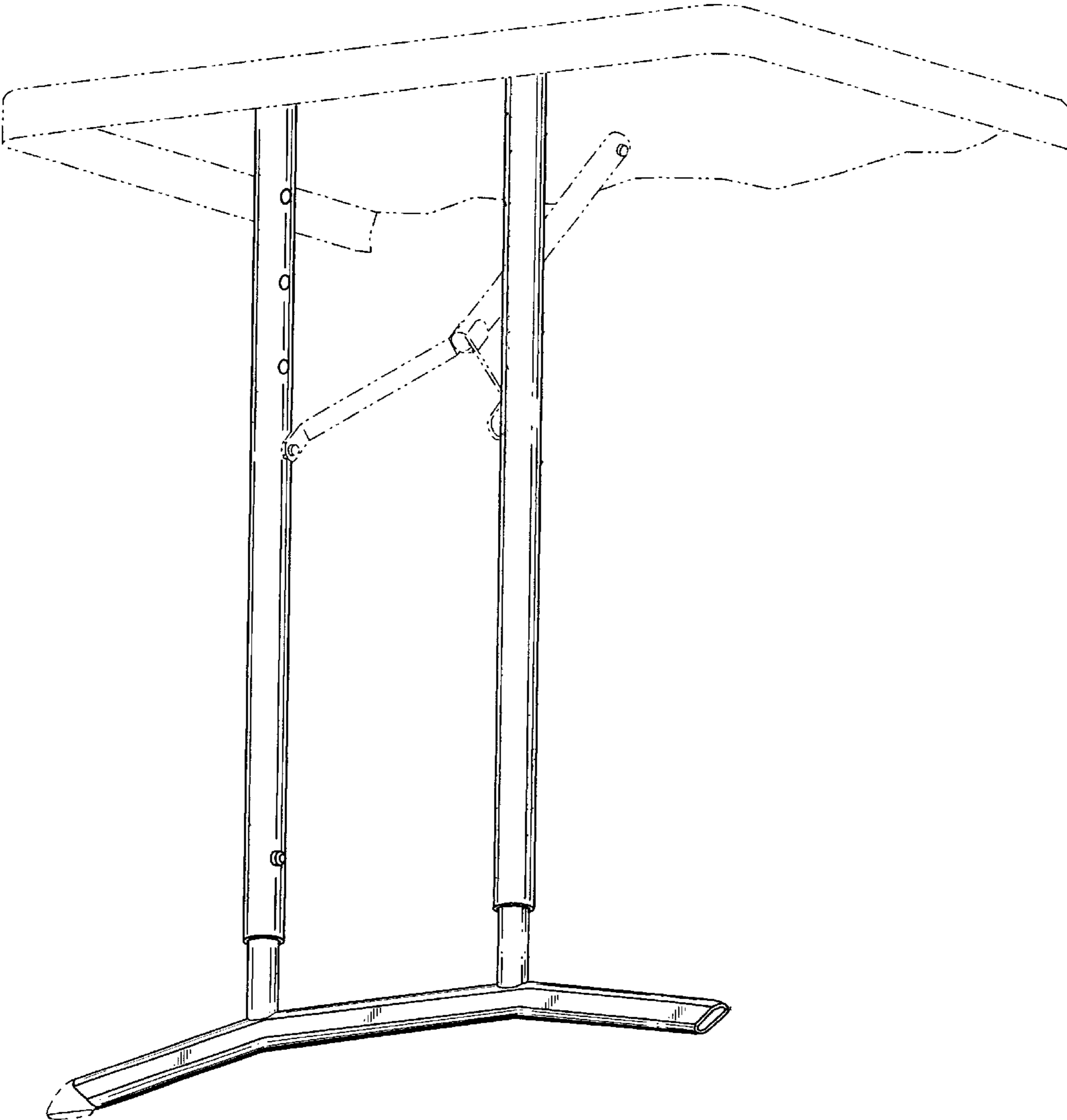


Fig. 1

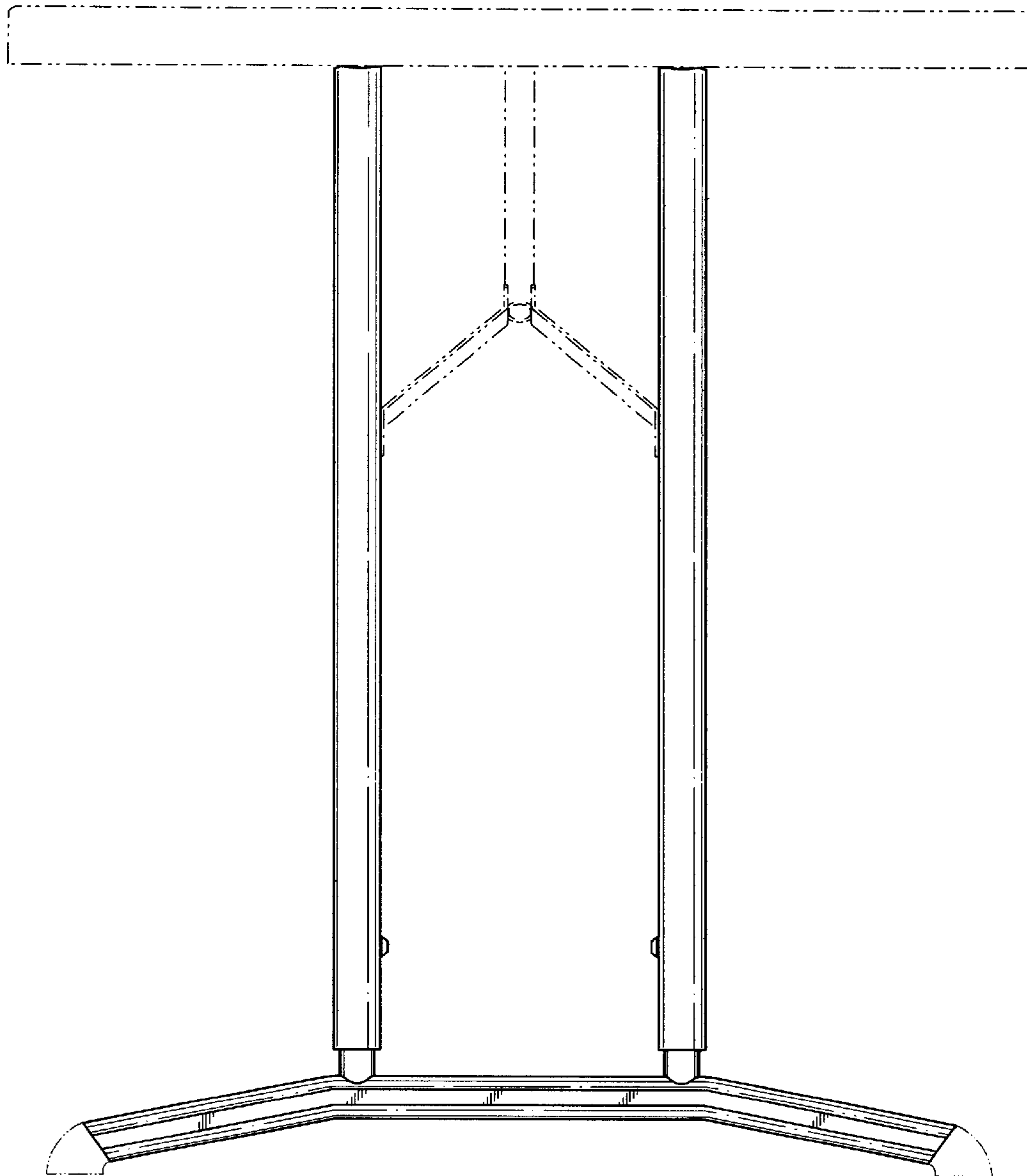


Fig. 2

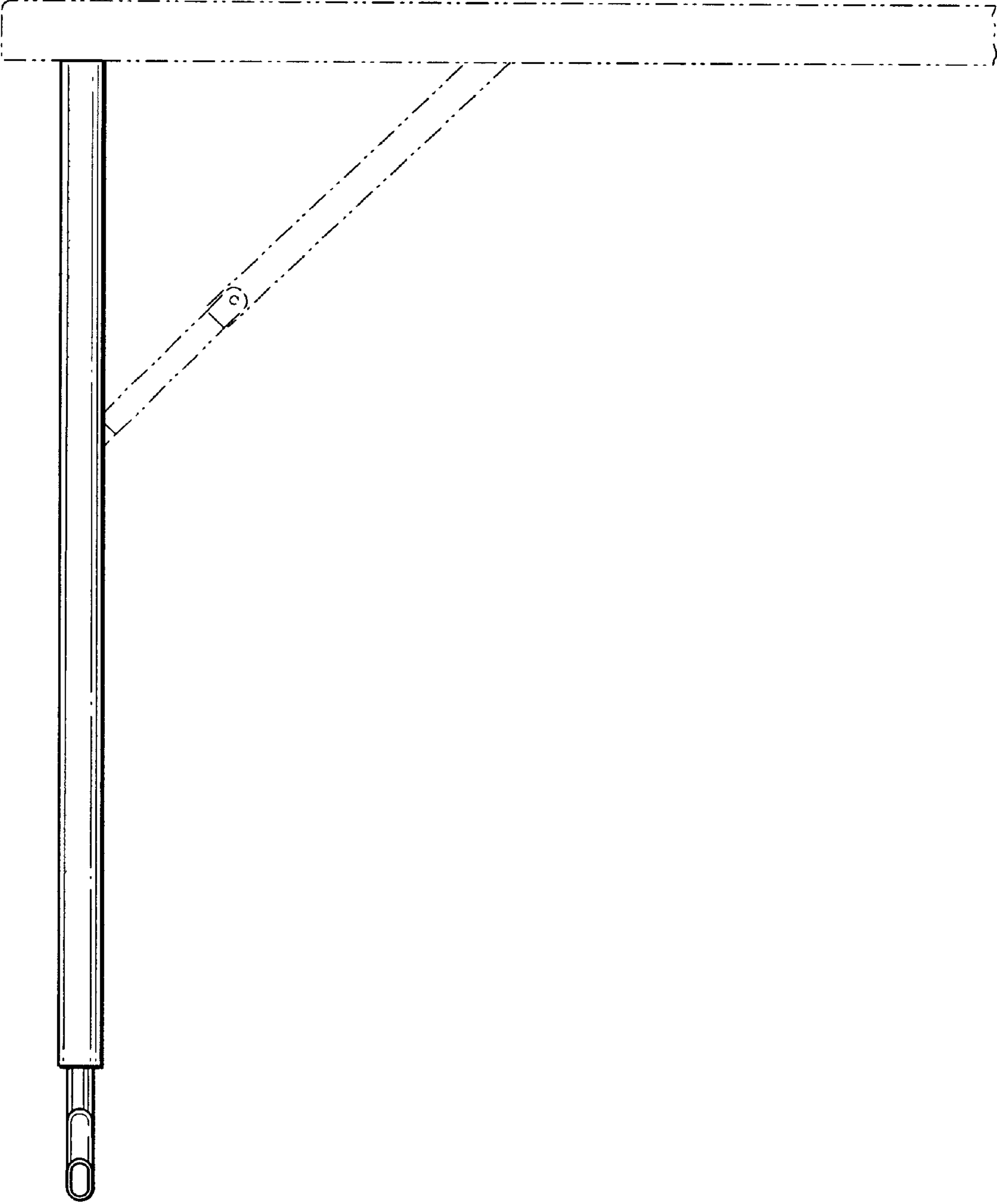


Fig. 3