



US00D517353S

(12) **United States Design Patent**
Carter

(10) **Patent No.:** **US D517,353 S**
(45) **Date of Patent:** **** Mar. 21, 2006**

- (54) **TABLE**
- (75) **Inventor:** **Raymond Mayo Carter**, Marina Del Rey, CA (US)
- (73) **Assignee:** **Brown Jordan International, Inc.**, Pompano Beach, FL (US)
- (**) **Term:** **14 Years**
- (21) **Appl. No.:** **29/210,181**
- (22) **Filed:** **Jul. 28, 2004**
- (51) **LOC (8) Cl.** **06-03**
- (52) **U.S. Cl.** **D6/480; D6/486**
- (58) **Field of Classification Search** D6/480-489, D6/495-499, 511, 429-431; 108/150, 153.1, 108/155, 156, 157.1, 161, 50.12; 248/188, 248/188.1, 188.8
See application file for complete search history.

- D159,609 S * 8/1950 Goldberg D6/487
- D338,578 S * 8/1993 Tihany D6/486
- D471,742 S * 3/2003 Muller D6/488

* cited by examiner

Primary Examiner—Janice E. Seeger
(74) *Attorney, Agent, or Firm*—Lott & Friedland, P.A.

(57) **CLAIM**

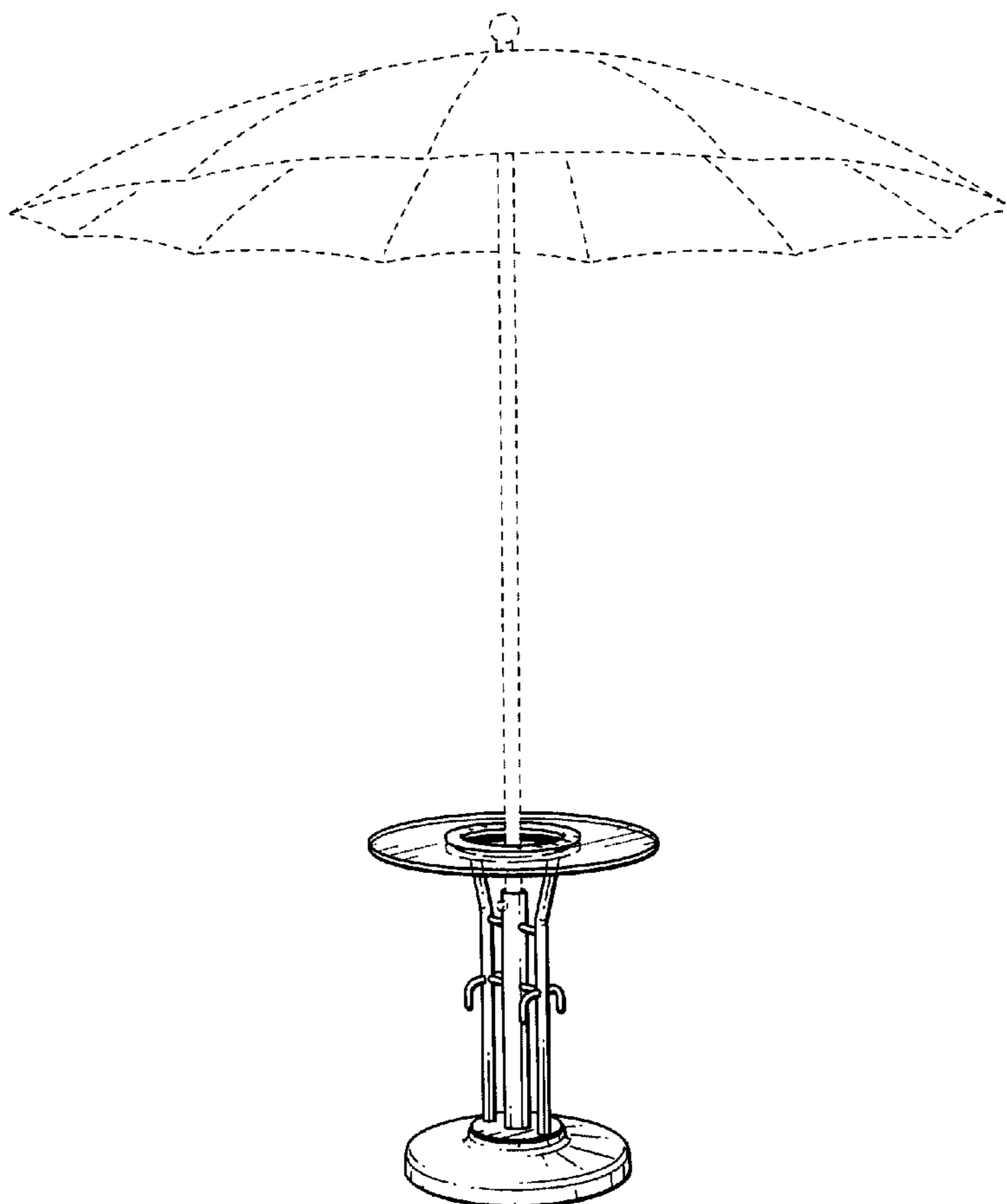
The ornamental design for a table, substantially as shown and described.

DESCRIPTION

FIG. 1 is a perspective view of my new design. FIG. 2 is a side elevational view of the embodiment of FIG. 1 the opposite side view being a mirror image thereof; FIG. 3 is a front elevational view of the embodiment of FIG. 1, the rear view being a mirror image thereof; FIG. 4 is a top view of the embodiment of FIG. 1; and, FIG. 5 is a bottom view of the embodiment of FIG. 1. The broken lines outlining an umbrella and adjustment knob in FIGS. 1-5 are for illustrative purposes only and form no part of the claimed design.

- (56) **References Cited**
U.S. PATENT DOCUMENTS
2,195,391 A * 3/1940 Hunter 248/156
D134,392 S * 11/1942 Waltman D6/455

1 Claim, 5 Drawing Sheets



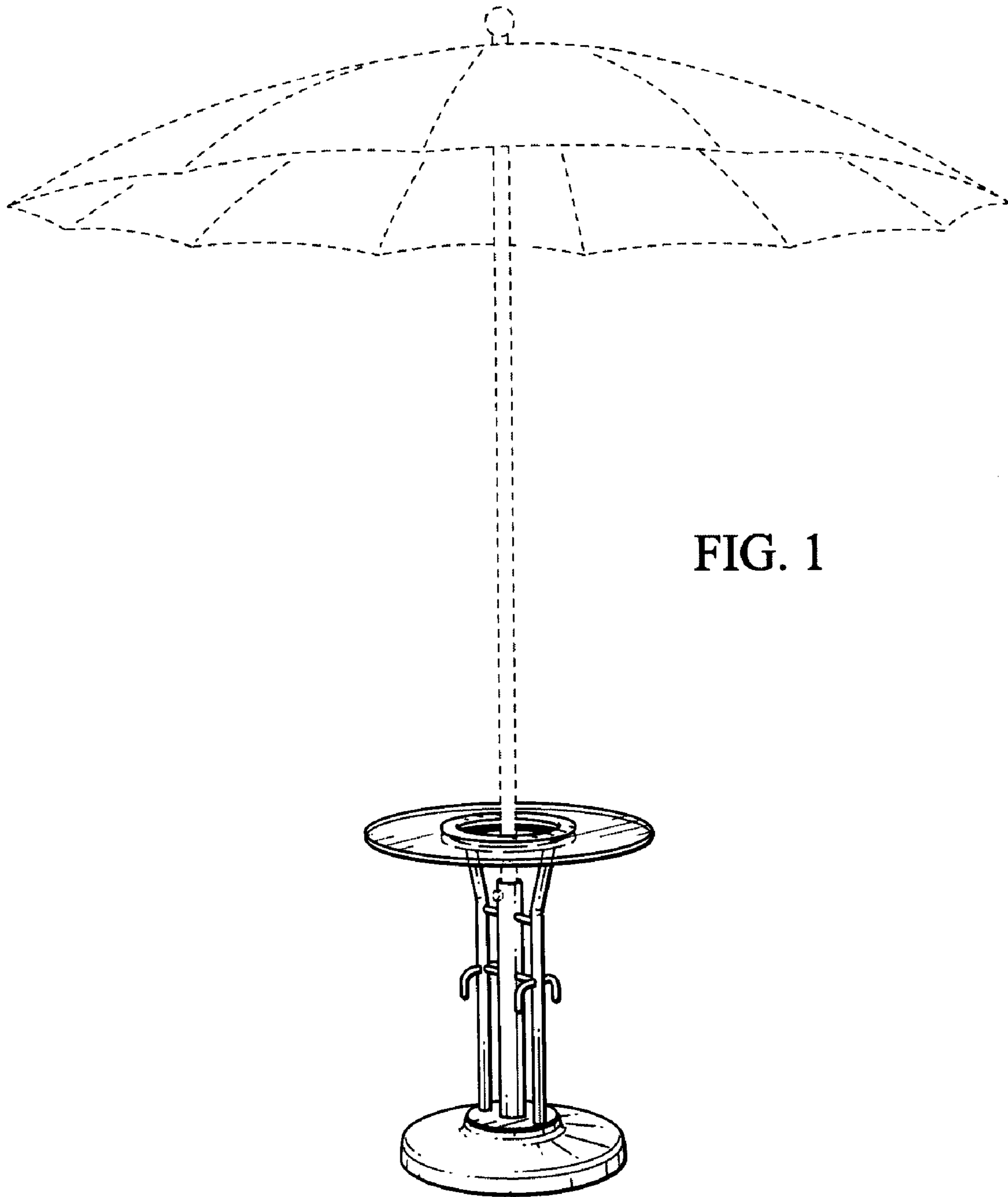


FIG. 1

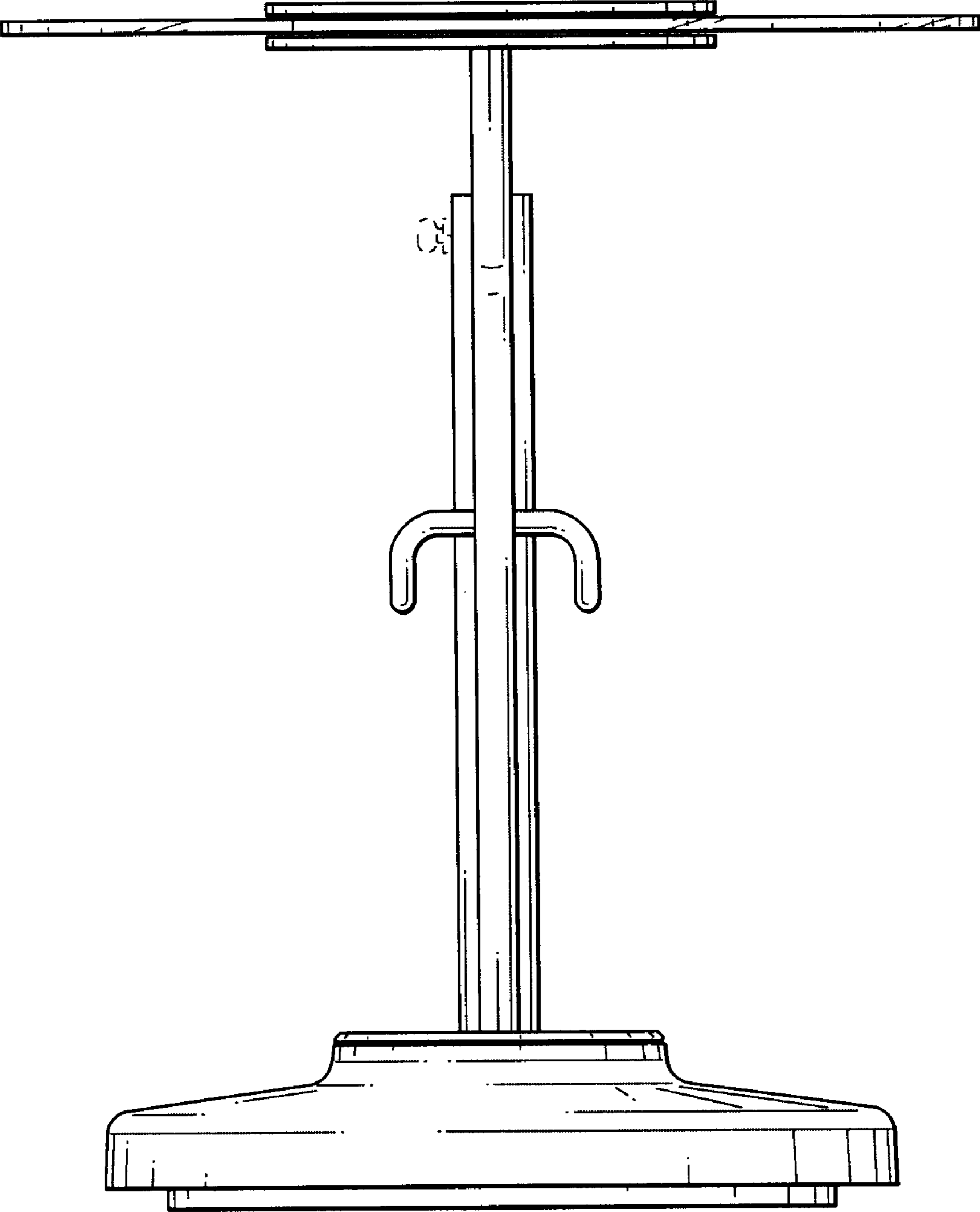


FIG. 2

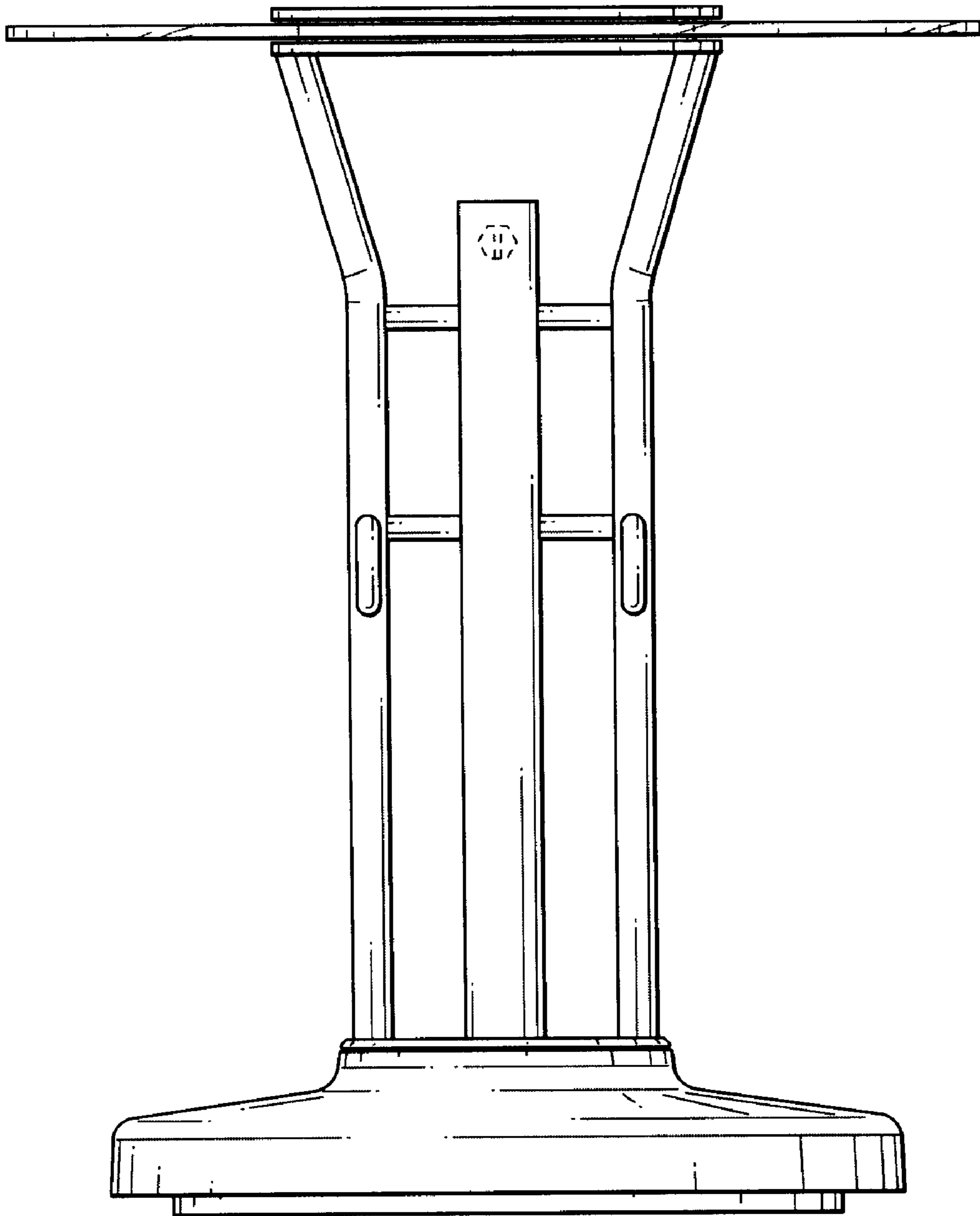


FIG. 3

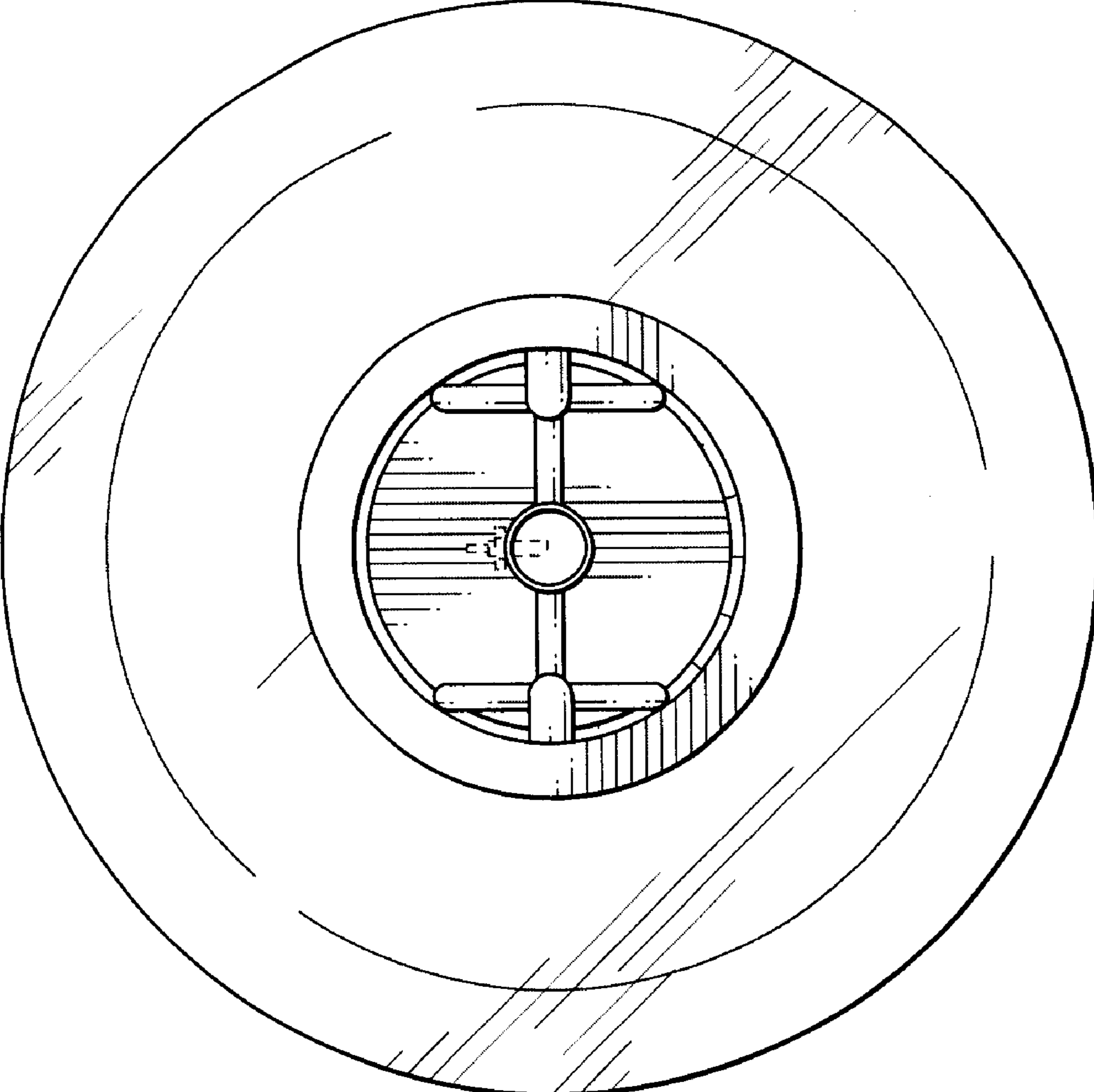


FIG. 4

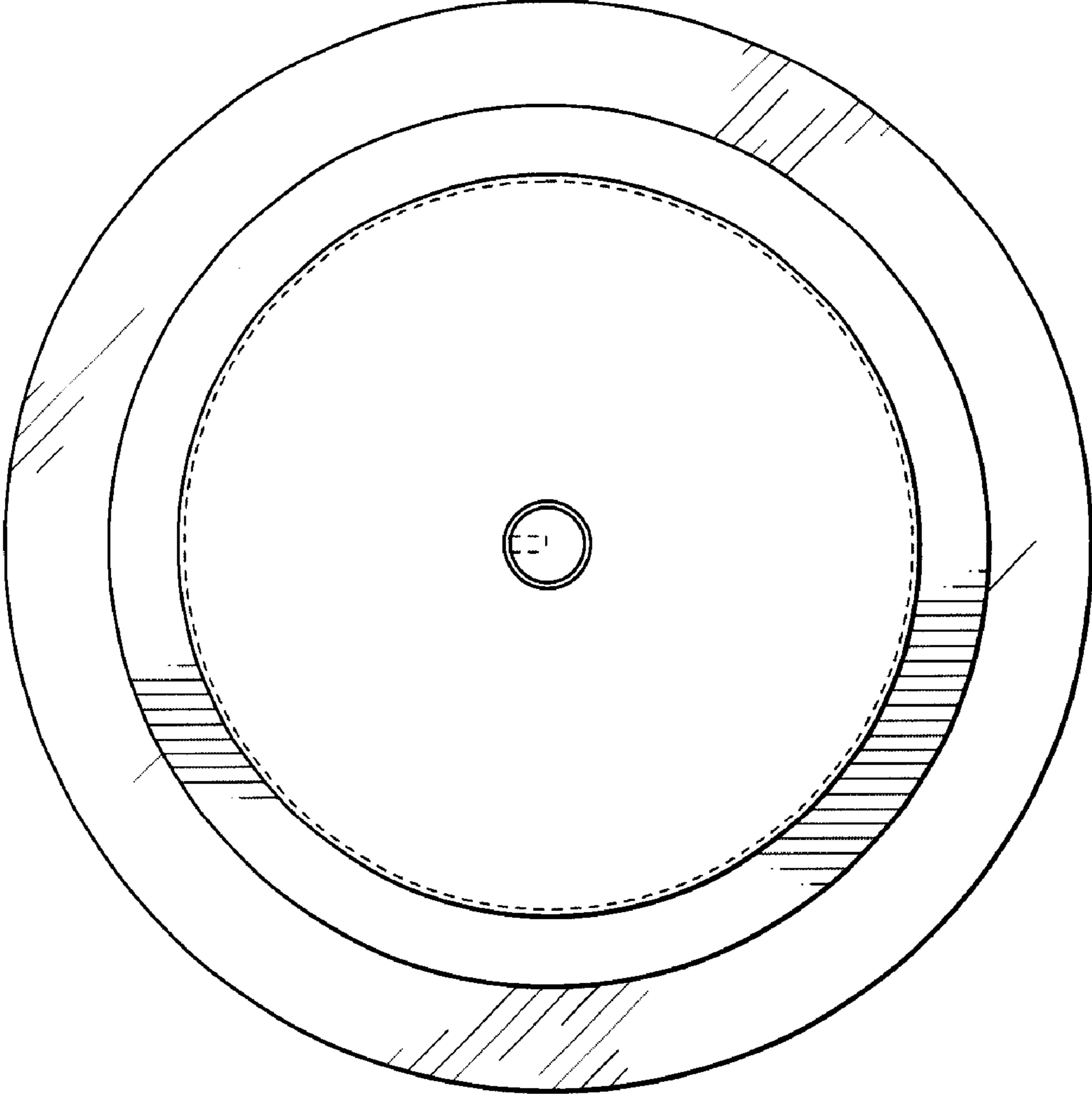


FIG. 5