



US00D517351S

(12) **United States Design Patent**
Frey

(10) **Patent No.:** **US D517,351 S**
(45) **Date of Patent:** **** Mar. 21, 2006**

(54) **SHELF**

(76) **Inventor:** **Christian Frey**, Hopfenstrasse 11,
Zurich (CH), CH-8045

(**) **Term:** **14 Years**

(21) **Appl. No.:** **29/219,578**

(22) **Filed:** **Dec. 20, 2004**

(51) **LOC (8) Cl.** **06-04**

(52) **U.S. Cl.** **D6/479**

(58) **Field of Classification Search** D6/460,
D6/461, 468, 474, 477-479; 108/11, 65,
108/137, 59, 91, 92, 96; 211/42, 85, 87.01,
211/90.01, 107, 111, 119.003, 134, 186, 153,
211/189, 195, 201, 175

See application file for complete search history.

(56) **References Cited**

U.S. PATENT DOCUMENTS

3,379,315 A * 4/1968 Broadwin 211/72

D213,886 S * 4/1969 Jensen D6/448
4,181,352 A * 1/1980 Bumpus 108/91
D318,584 S * 7/1991 Rouso D6/479
D399,710 S * 10/1998 Brown D7/708
D497,063 S * 10/2004 Dardashti D6/479

* cited by examiner

Primary Examiner—Cathron C. Brooks

(57) **CLAIM**

The ornamental design for a shelf, as shown.

DESCRIPTION

FIG. 1 is a top front perspective view of a shelf showing my new design;

FIG. 2 is a front view thereof;

FIG. 3 is a right side view thereof;

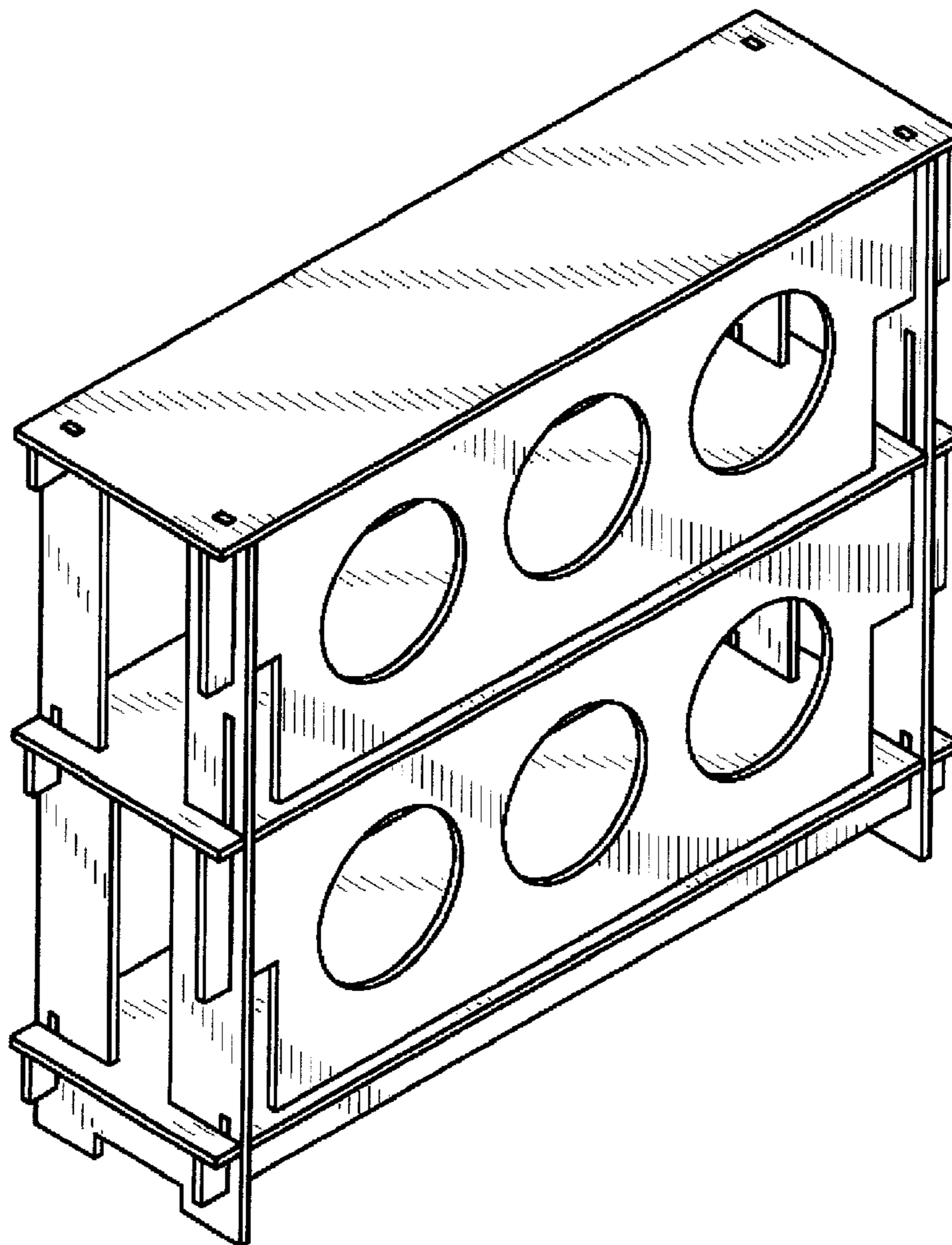
FIG. 4 is a left side view thereof;

FIG. 5 is a top view thereof;

FIG. 6 is a bottom view thereof; and,

FIG. 7 is a rear view thereof.

1 Claim, 5 Drawing Sheets



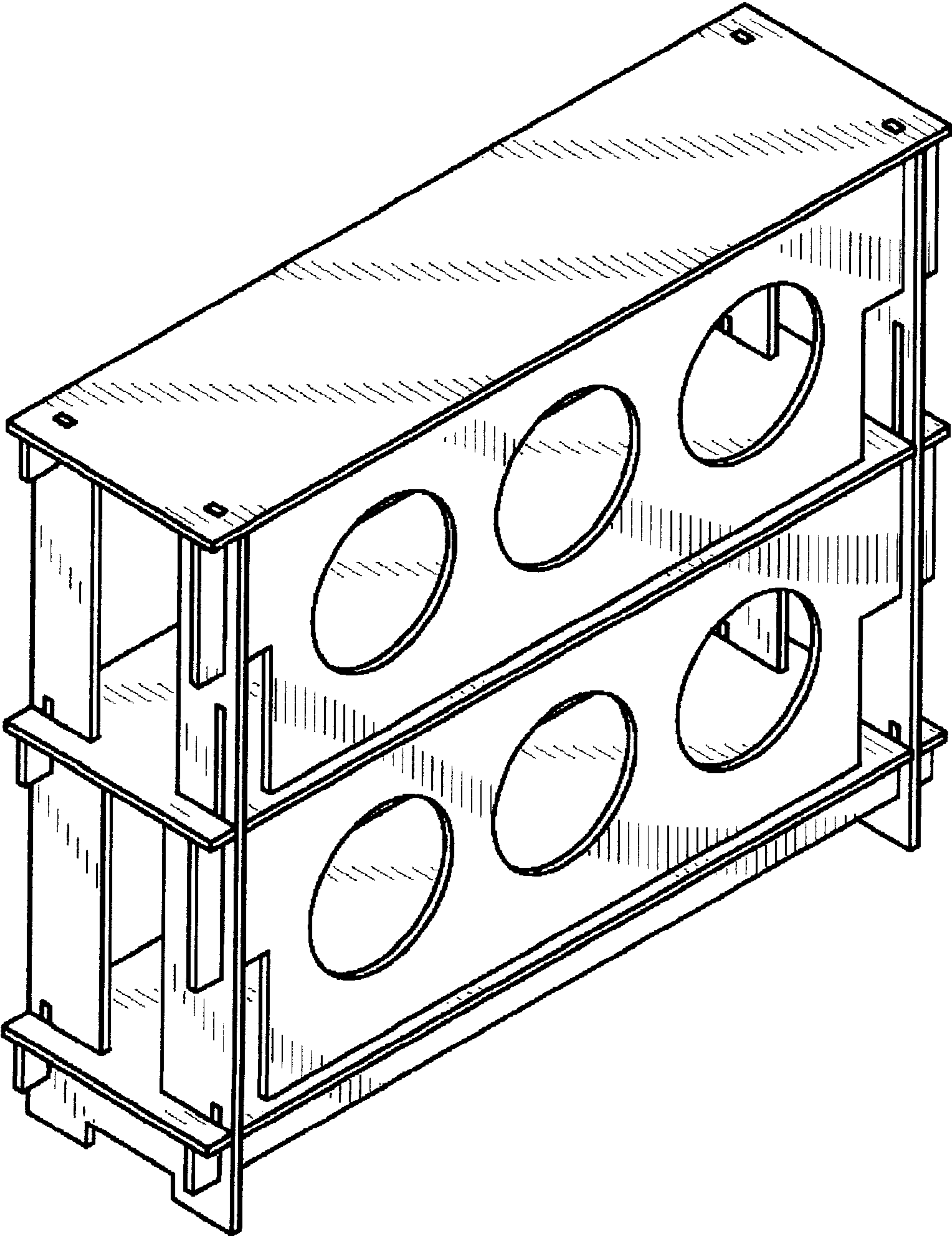


FIG. 1

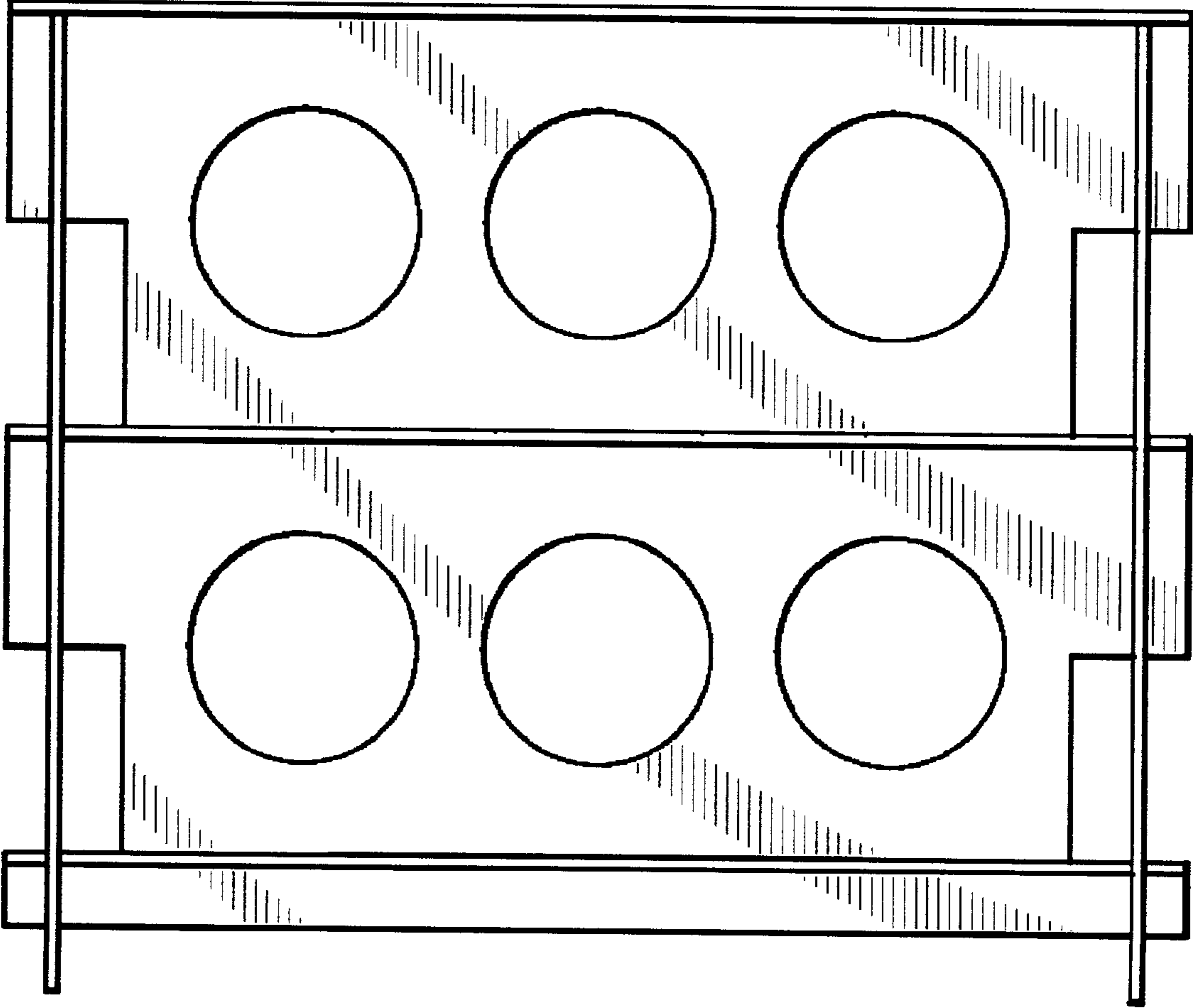


FIG. 2

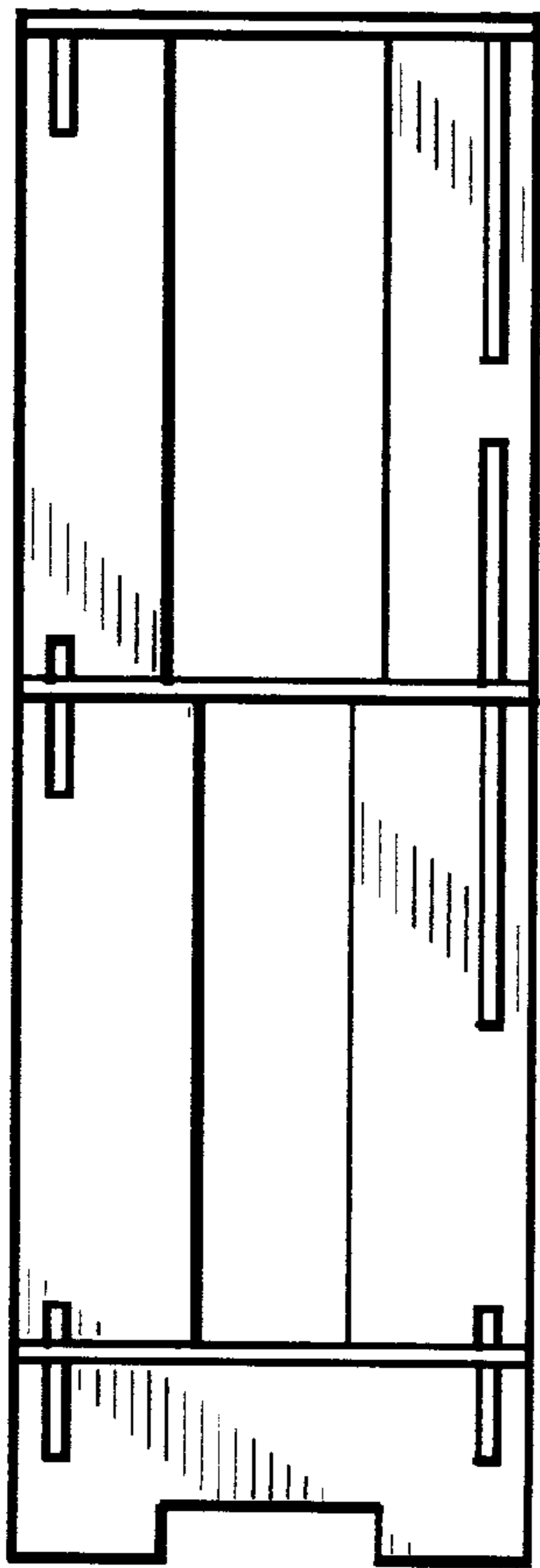


FIG. 3

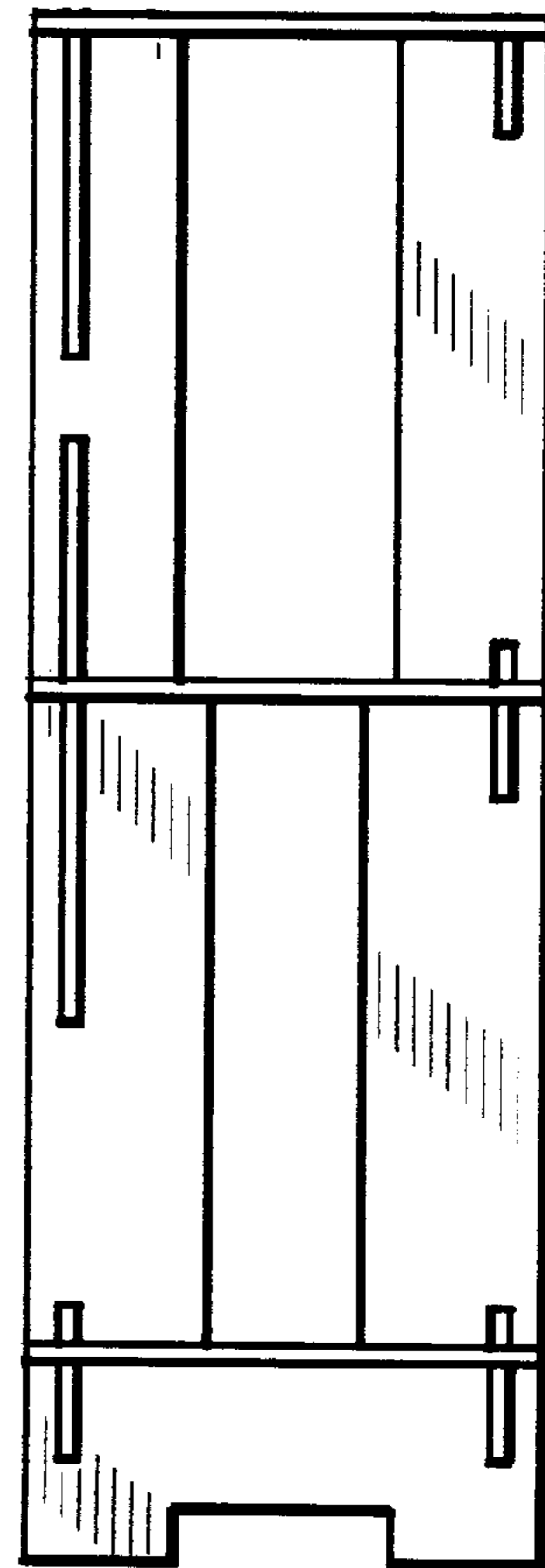


FIG. 4

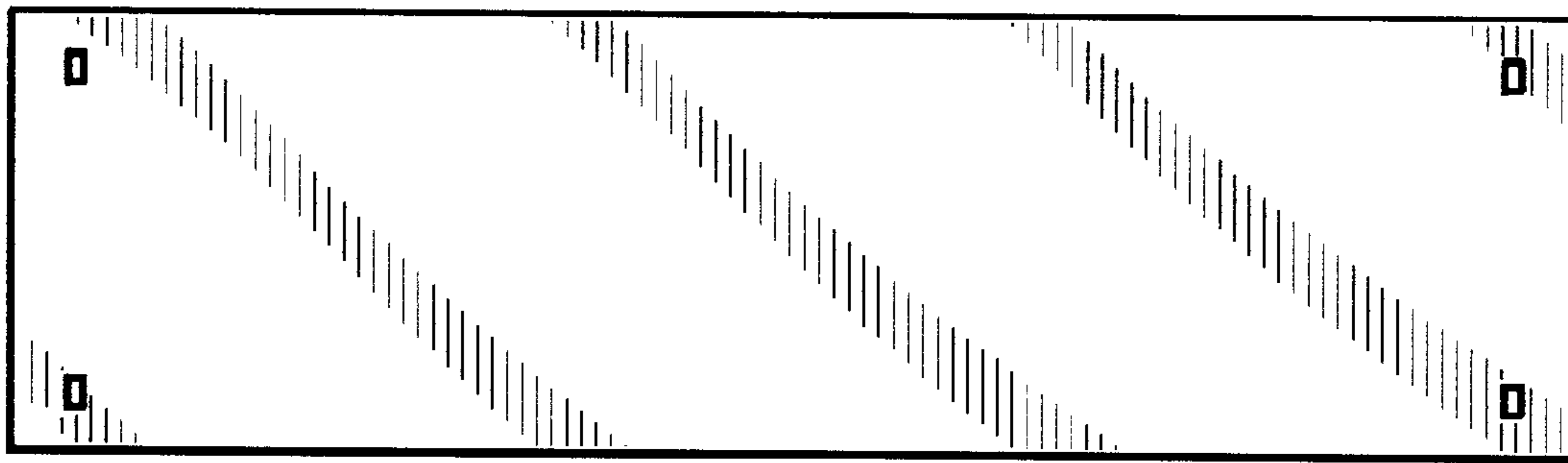


FIG. 5

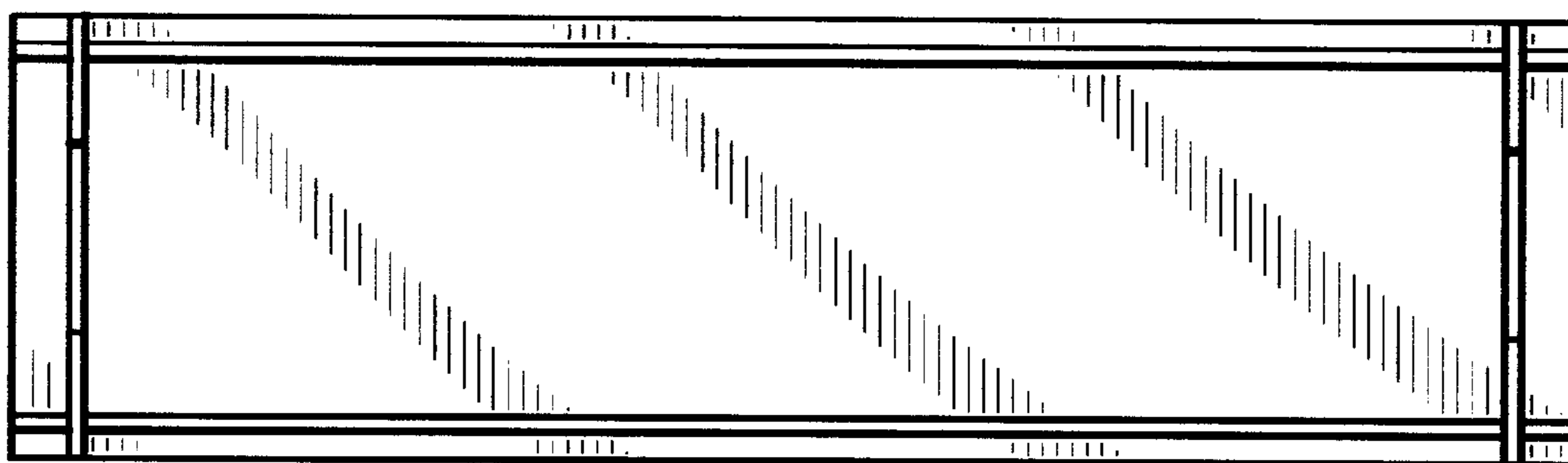


FIG. 6

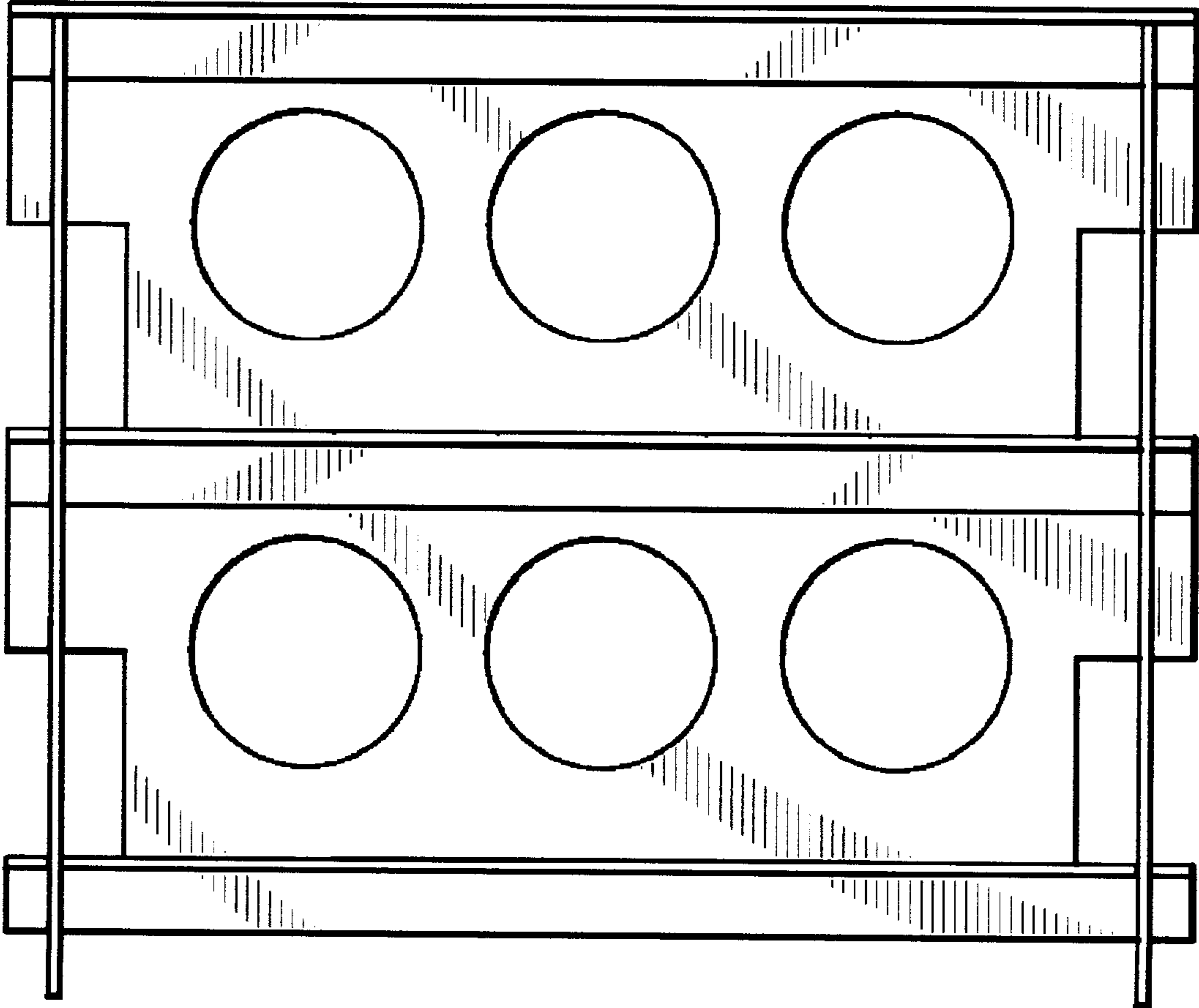


FIG. 7