



US00D517349S

(12) **United States Design Patent**
Lara

(10) **Patent No.:** **US D517,349 S**
(45) **Date of Patent:** **** Mar. 21, 2006**

(54) **FLAT SCREEN TELEVISION STAND**
(75) **Inventor:** **Louis A. Lara**, Wellington, FL (US)
(73) **Assignee:** **Becker Designed, Inc.**, Chantilly, VA (US)
(**) **Term:** **14 Years**

D459,118 S 6/2002 Antonioni
D474,047 S * 5/2003 Lara D6/479
D482,216 S * 11/2003 Weaver D6/484
D495,163 S * 8/2004 Weatherly D6/479
D505,576 S * 5/2005 Chang D6/477
D507,900 S * 8/2005 Sexton D6/474
D508,171 S * 8/2005 Choo D6/477

* cited by examiner

(21) **Appl. No.:** **29/221,652**
(22) **Filed:** **Jan. 21, 2005**

Primary Examiner—Cathron C. Brooks

(51) **LOC (8) Cl.** **06-04**
(52) **U.S. Cl.** **D6/477; D6/466**
(58) **Field of Classification Search** D6/460,
D6/461, 468, 474, 477-479; 312/7.2, 9.1;
108/59, 91, 92, 96; 211/40, 41.12, 42, 49.1,
211/50, 85.2, 90.04, 187, 190, 119.003, 134.153,
211/87.01, 71.01

(57) **CLAIM**

The ornamental design for a flat screen television stand, as shown and described.

See application file for complete search history.

DESCRIPTION

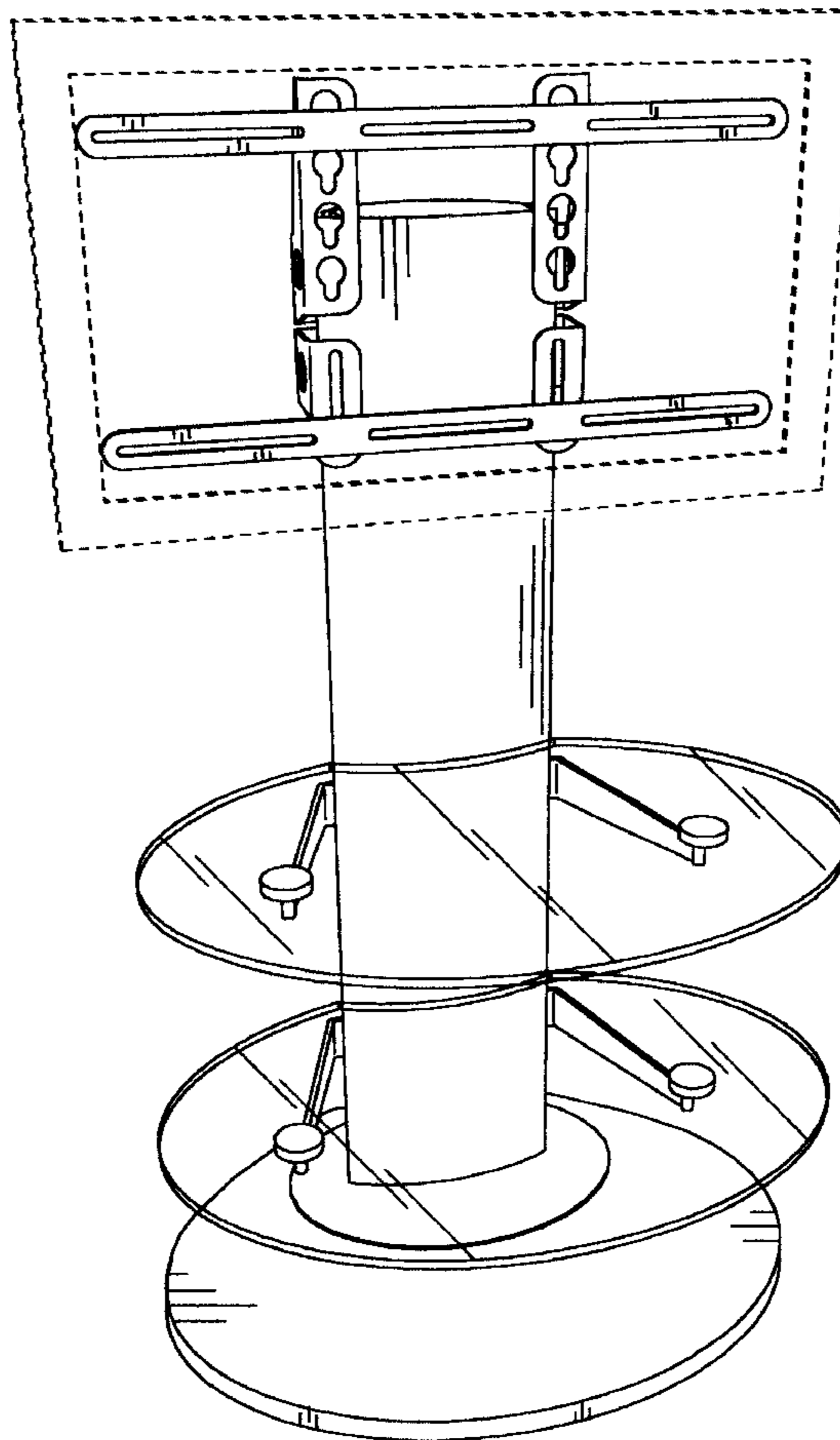
FIG. 1 is a perspective view of my new design;
FIG. 2 is a front elevational view thereof;
FIG. 3 is a rear elevational view thereof;
FIG. 4 is a top view thereof;
FIG. 5 is a bottom view thereof; and,
FIG. 6 is a right side view thereof, the left side being a mirror image.

The broken lines are for illustrative purposes only and form no part of the claimed design.

(56) **References Cited**
U.S. PATENT DOCUMENTS

D367,782 S 3/1996 Kazama
D423,822 S 5/2000 Takemasa
D458,053 S * 6/2002 Luong D6/477

1 Claim, 6 Drawing Sheets



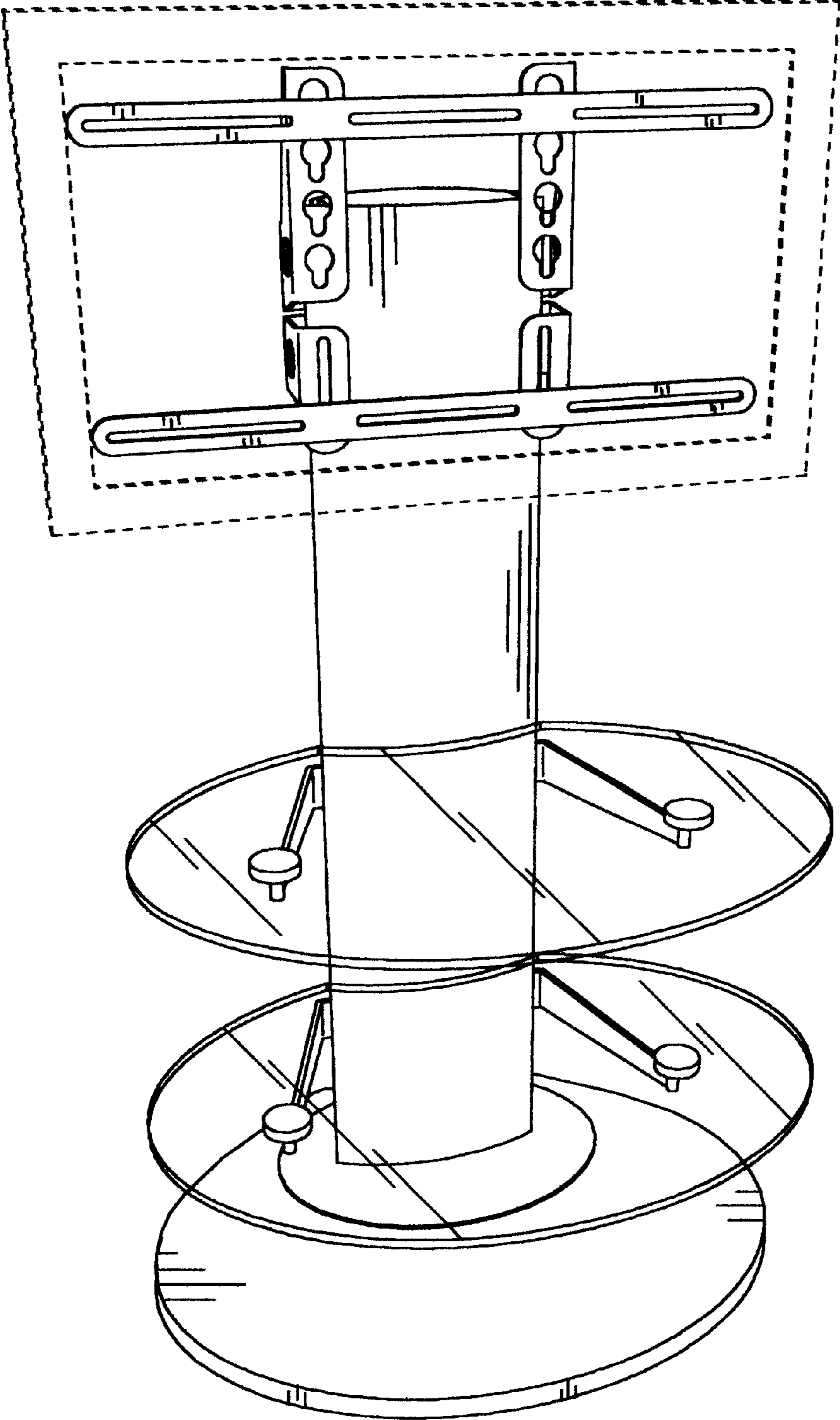


Fig. 1

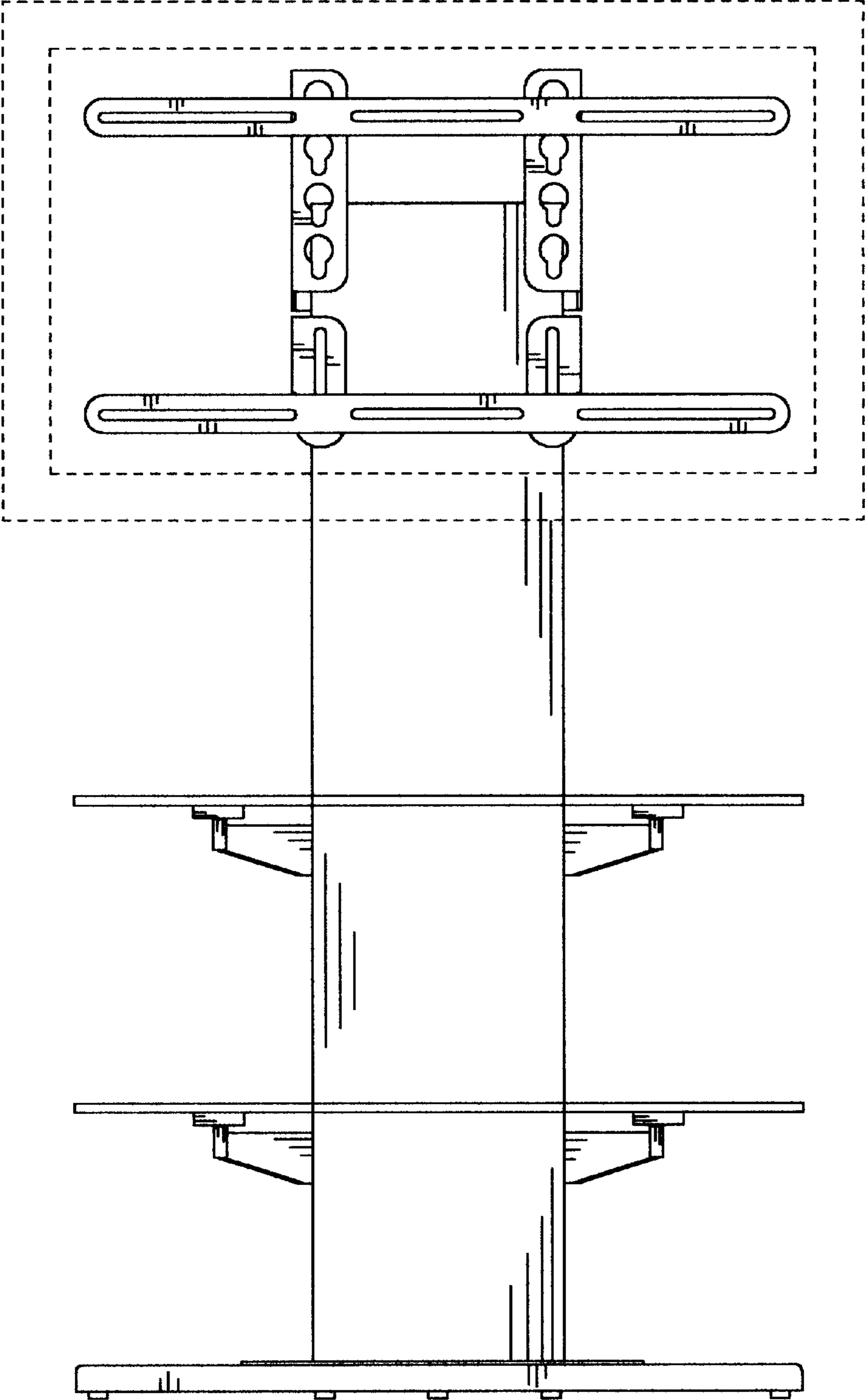


Fig. 2

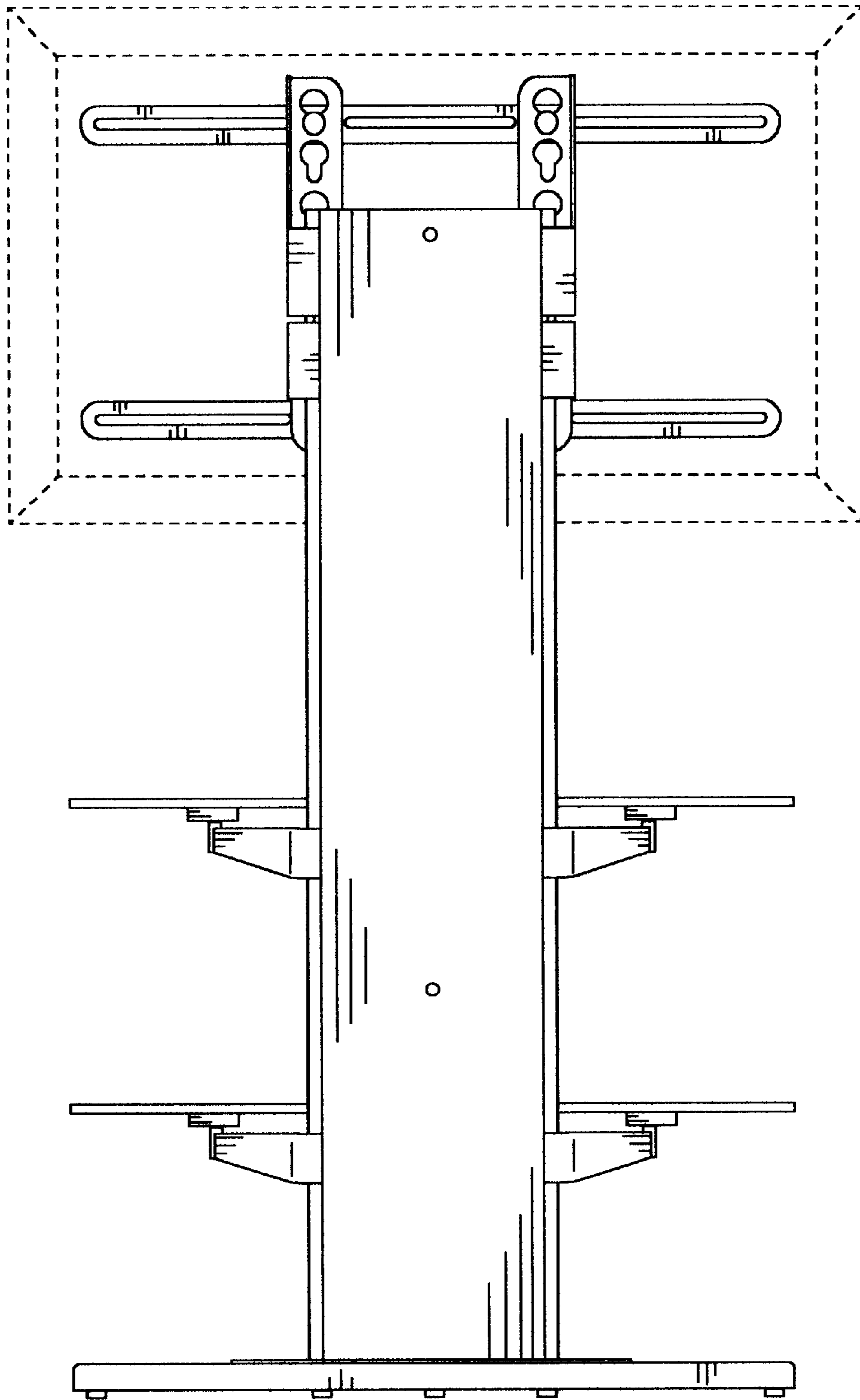


Fig. 3

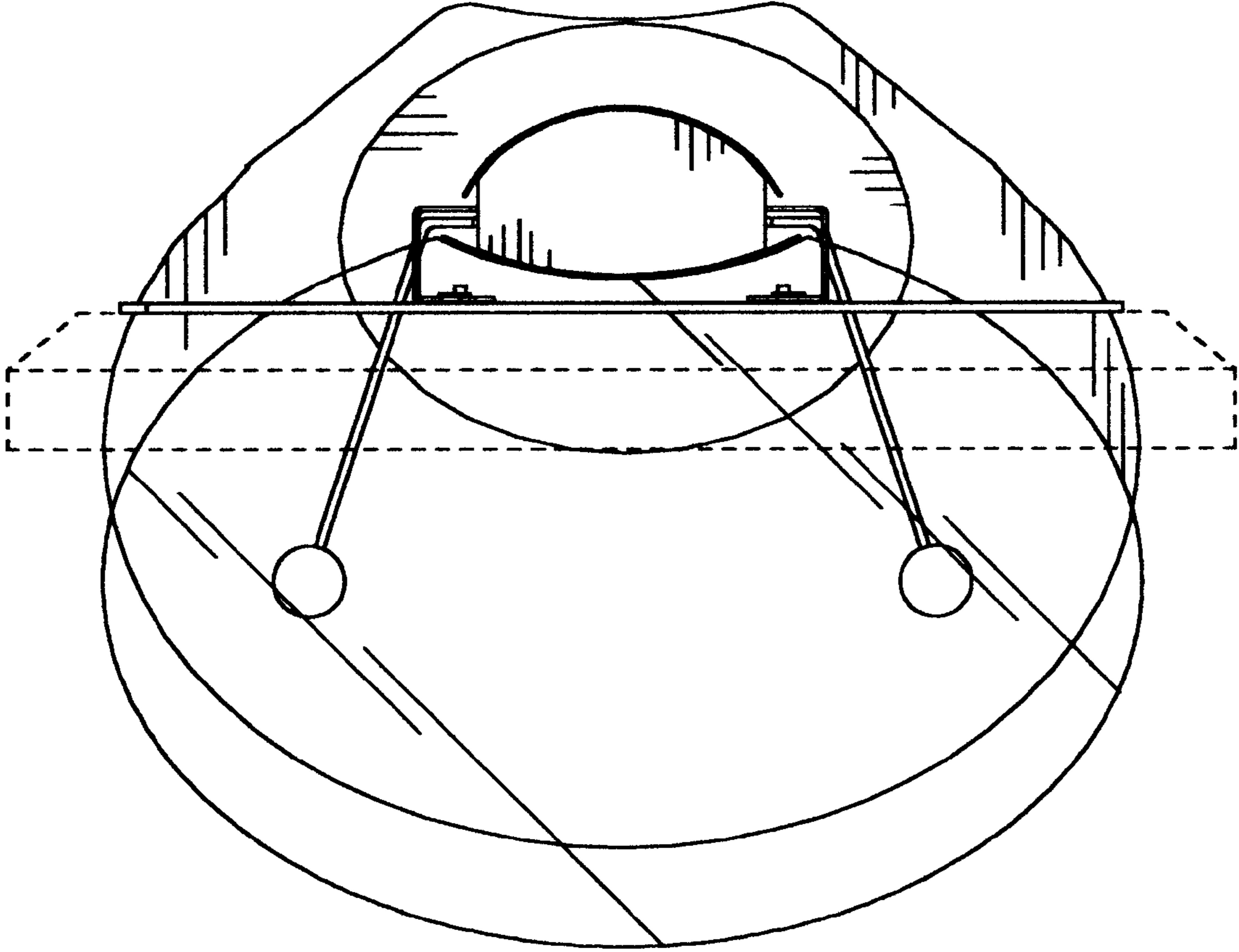


Fig. 4

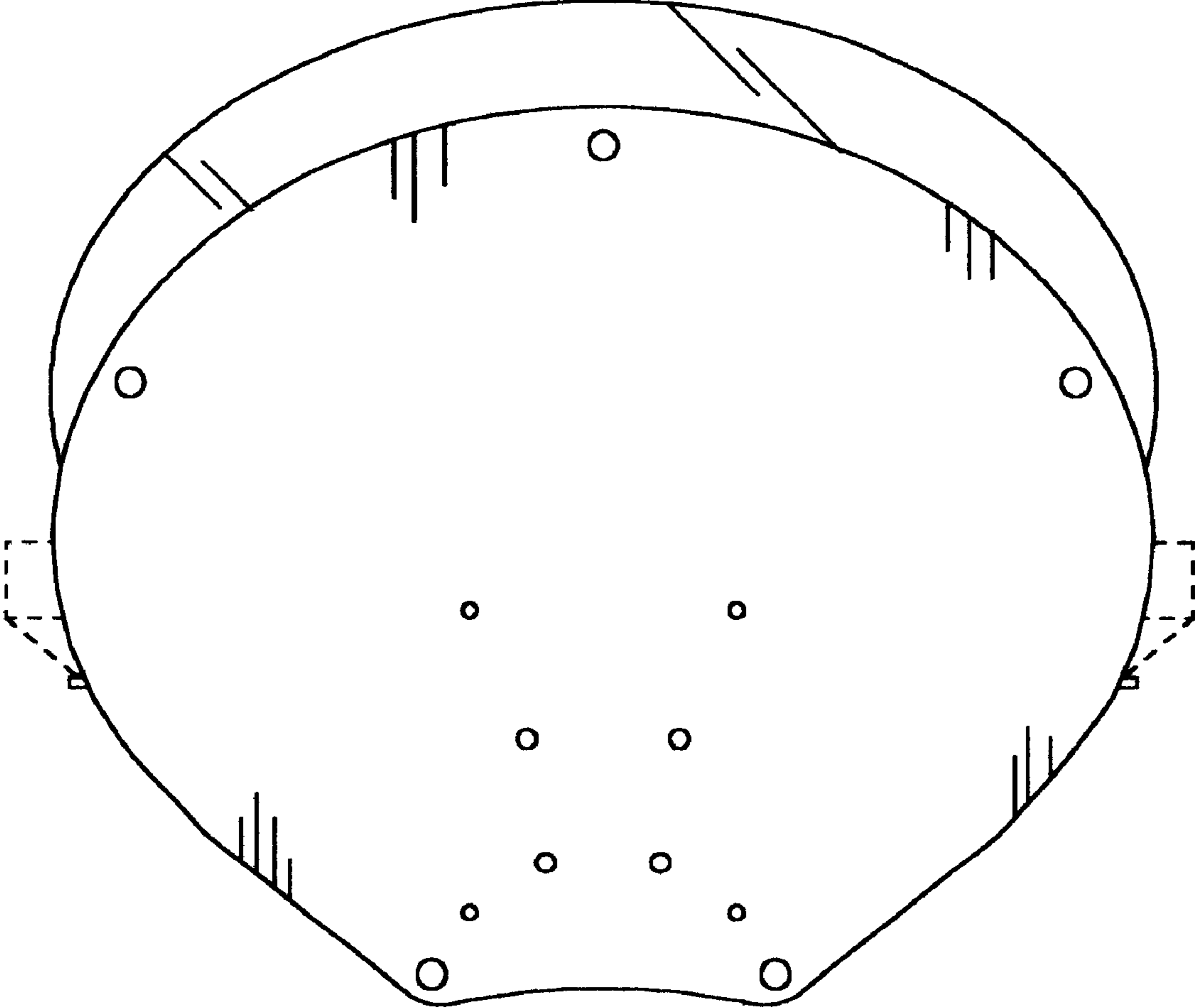


Fig. 5

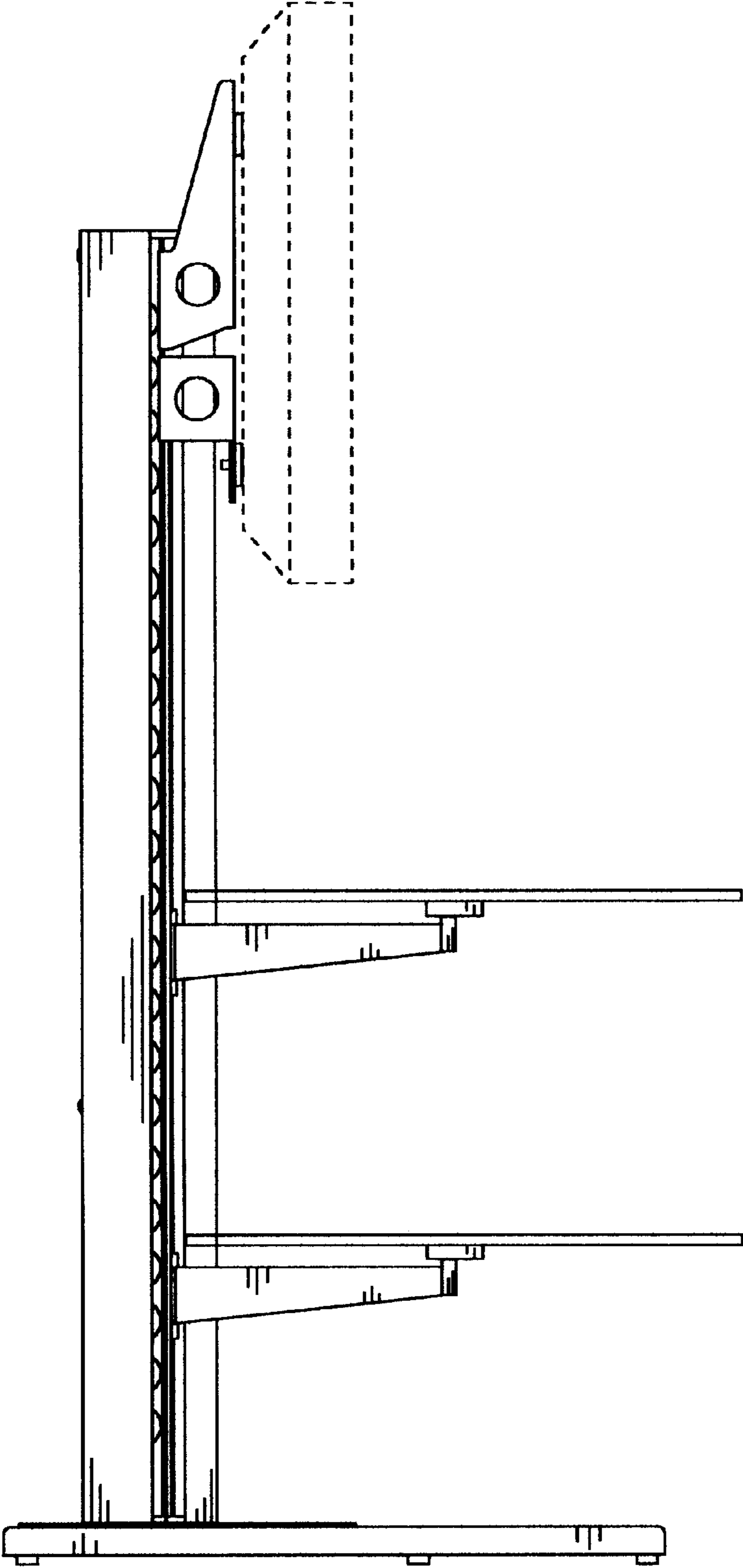


Fig. 6