



US00D517345S

(12) **United States Design Patent**
Verbeek et al.

(10) **Patent No.: US D517,345 S**

(45) **Date of Patent: ** *Mar. 21, 2006**

(54) **CABINET**

D466,723 S * 12/2002 Heidmann et al. D6/441
D471,380 S * 3/2003 King et al. D6/441

(75) Inventors: **Steve Verbeek**, Aurora (CA); **Lee David Fletcher**, Toronto (CA)

* cited by examiner

(73) Assignee: **TK Canada Limited**, Toronto (CA)

Primary Examiner—Cathron Brooks

(74) *Attorney, Agent, or Firm*—Bereskin & Parr

(*) Notice: This patent is subject to a terminal disclaimer.

(57) **CLAIM**

(**) Term: **14 Years**

The ornamental Design for a cabinet, as shown and described.

(21) Appl. No.: **29/206,435**

DESCRIPTION

(22) Filed: **Jun. 1, 2004**

FIG. 1 is perspective view from the front and one end of the cabinet according to one embodiment of said Design; FIG. 2 is an end elevational view from the right in FIG. 1; FIG. 3 is a front elevational view; FIG. 4 is a top plan view; FIG. 5 is an end elevational view from the left in FIG. 1; FIG. 6 is a bottom plan view; FIG. 7 is a rear elevational view; FIGS. 8 and 9 are views corresponding to FIGS. 1 and 3 respectively illustrating a second embodiment of said Design in which the cabinet is of greater length than the cabinet shown in the previous views but is otherwise the same; and, FIGS. 10 and 11 are views corresponding to FIGS. 1 and 3 respectively illustrating a third embodiment of said Design in which the front face of the cabinet does not have the configuration of a visually separate lower portion as in the previous views.

(30) **Foreign Application Priority Data**

Apr. 26, 2004 (CA) 106744

(51) **LOC (8) Cl.** **06-04**

(52) **U.S. Cl.** **D6/441; D6/448**

(58) **Field of Classification Search** D6/432,
D6/441, 445–446, 448, 559, 560; 312/108,
312/257.1, 297, 330.1

See application file for complete search history.

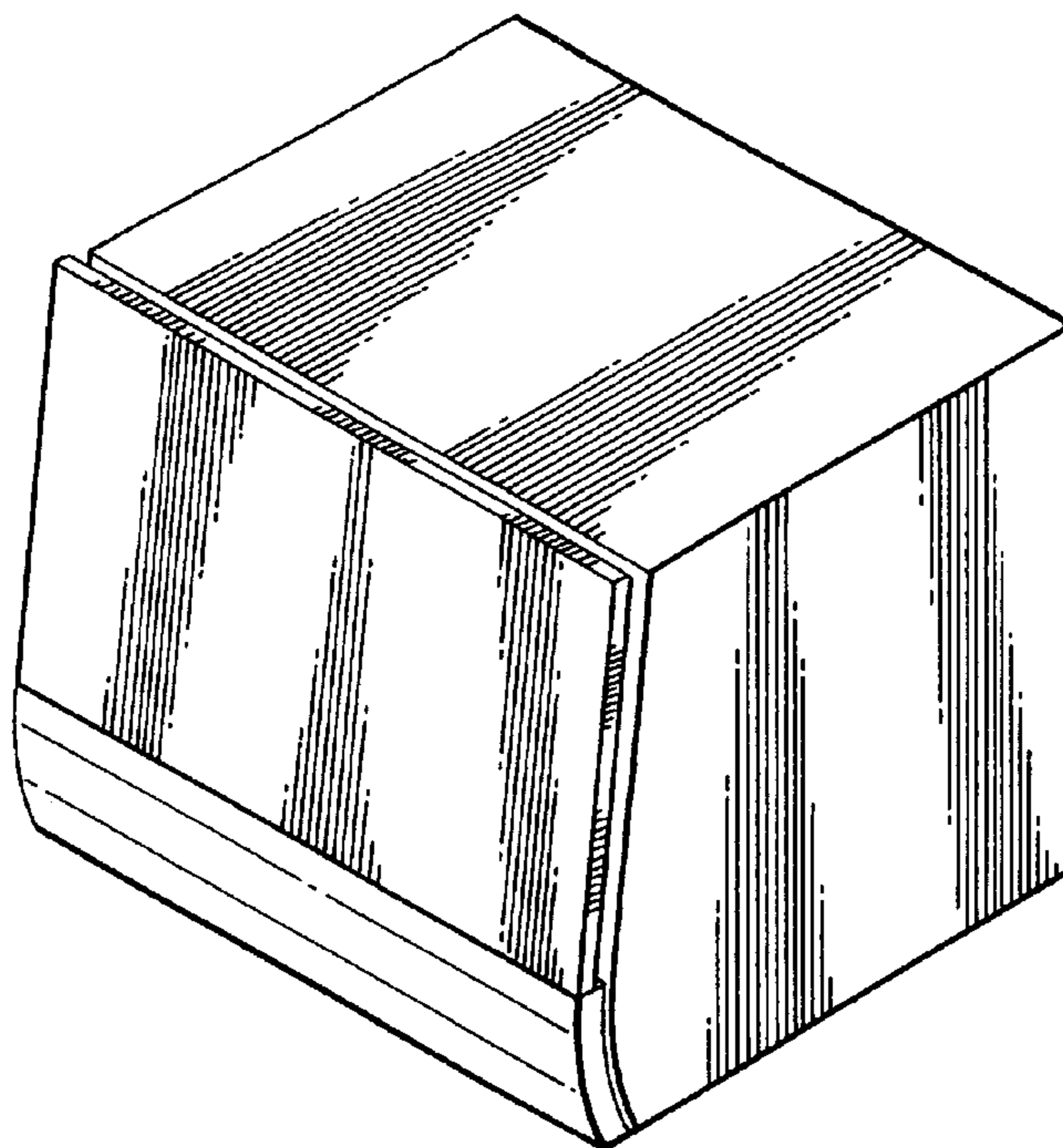
(56) **References Cited**

U.S. PATENT DOCUMENTS

- D241,100 S * 8/1976 Vrignaud D6/560
- D325,309 S * 4/1992 Worrell D6/509
- D339,934 S * 10/1993 Reuter D6/441
- 5,409,308 A * 4/1995 Reuter et al. 312/319.4
- D400,383 S * 11/1998 Fricano et al. D6/559
- 5,845,980 A * 12/1998 Fricano et al. 312/327
- D432,816 S * 10/2000 Hellwig et al. D6/441
- 6,394,564 B1 * 5/2002 Mrotz et al. 312/265.5
- D459,924 S * 7/2002 Heidmann et al. D6/510

In accordance with a fourth embodiment of said Design, the cabinet of FIGS. 8 and 9 has the front face of the cabinet of FIGS. 10 and 11, i.e., a longer cabinet that does not have the configuration of a visually separate lower portion.

1 Claim, 4 Drawing Sheets



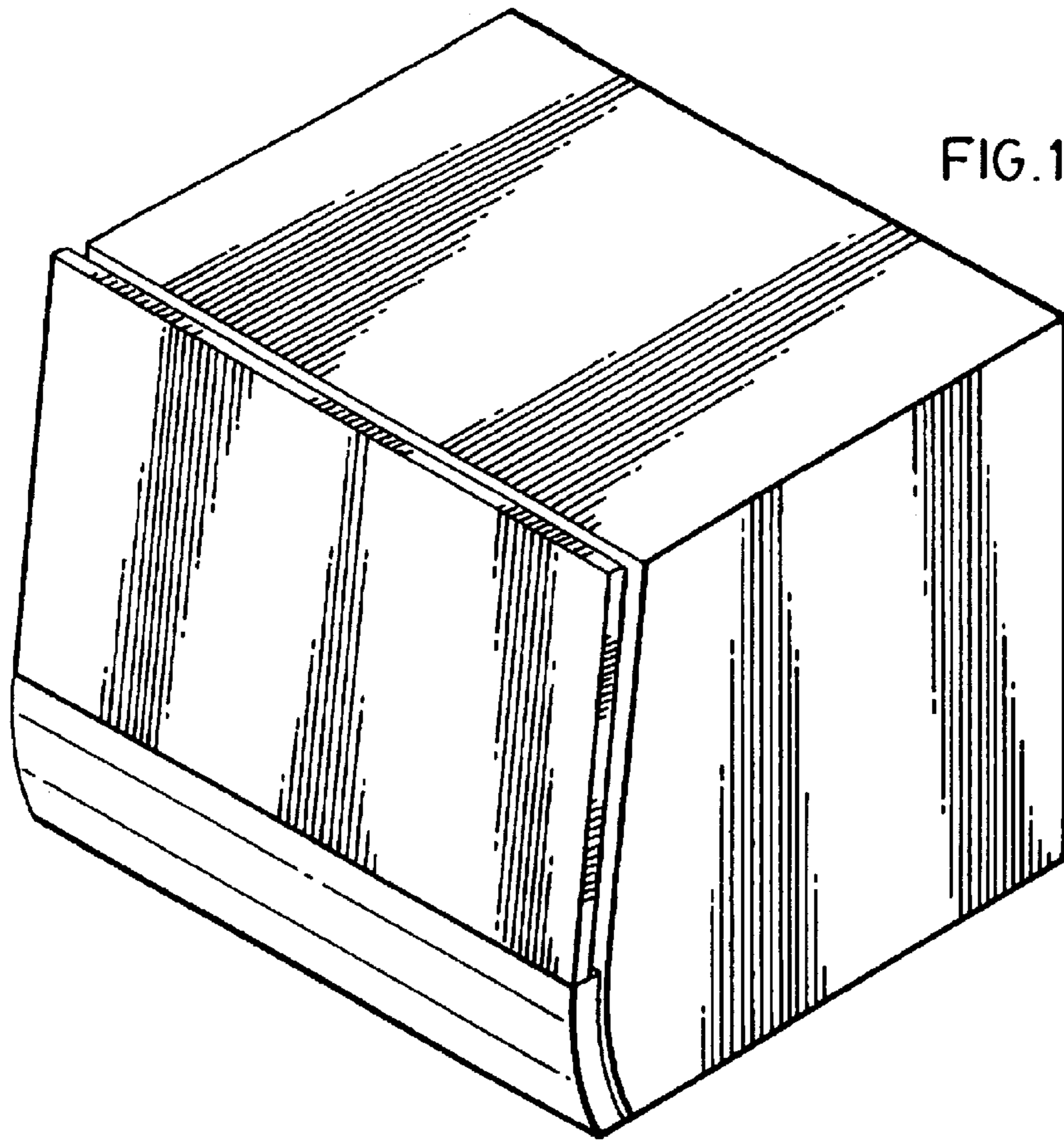


FIG. 1

FIG. 2

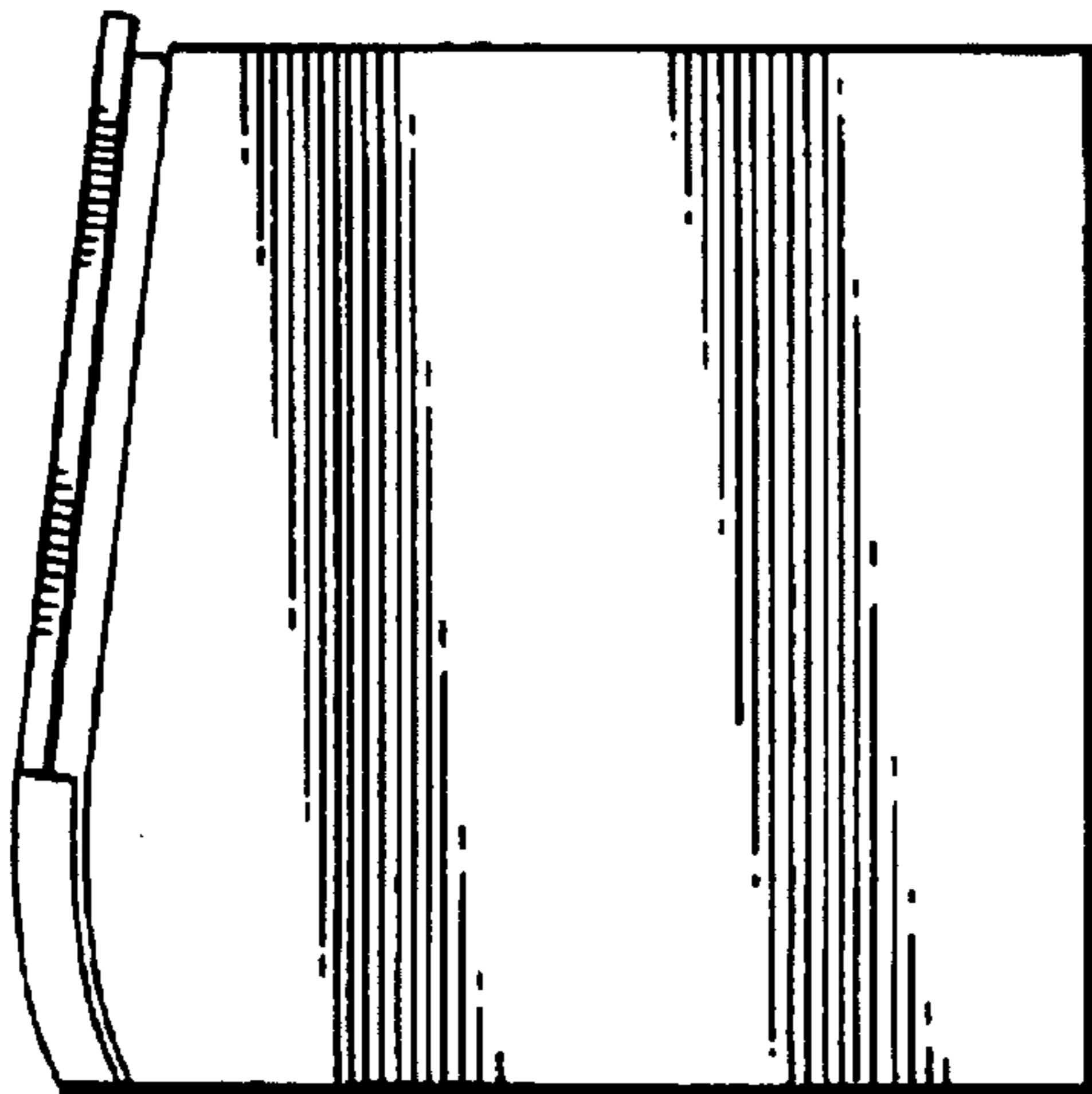
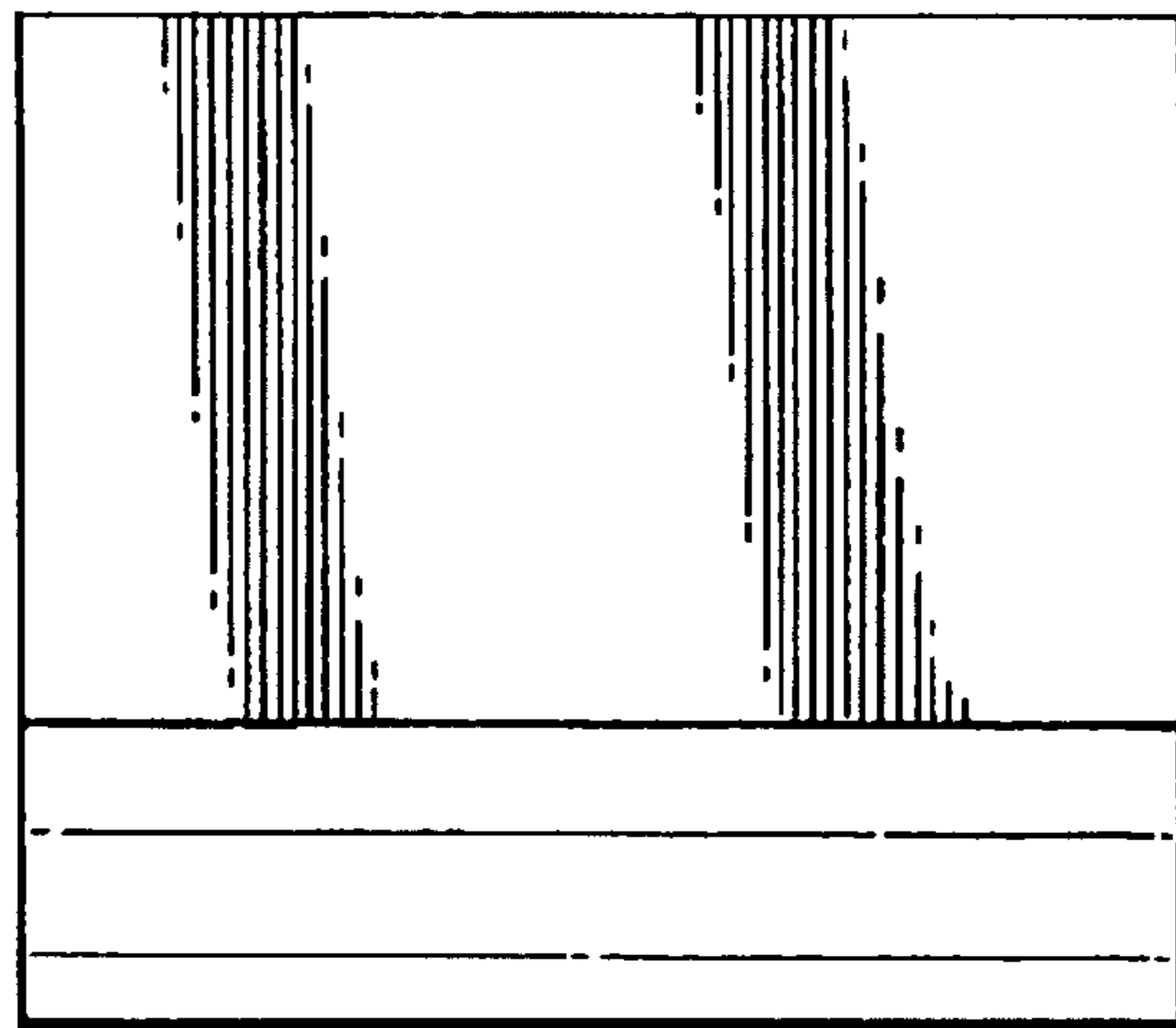


FIG. 3



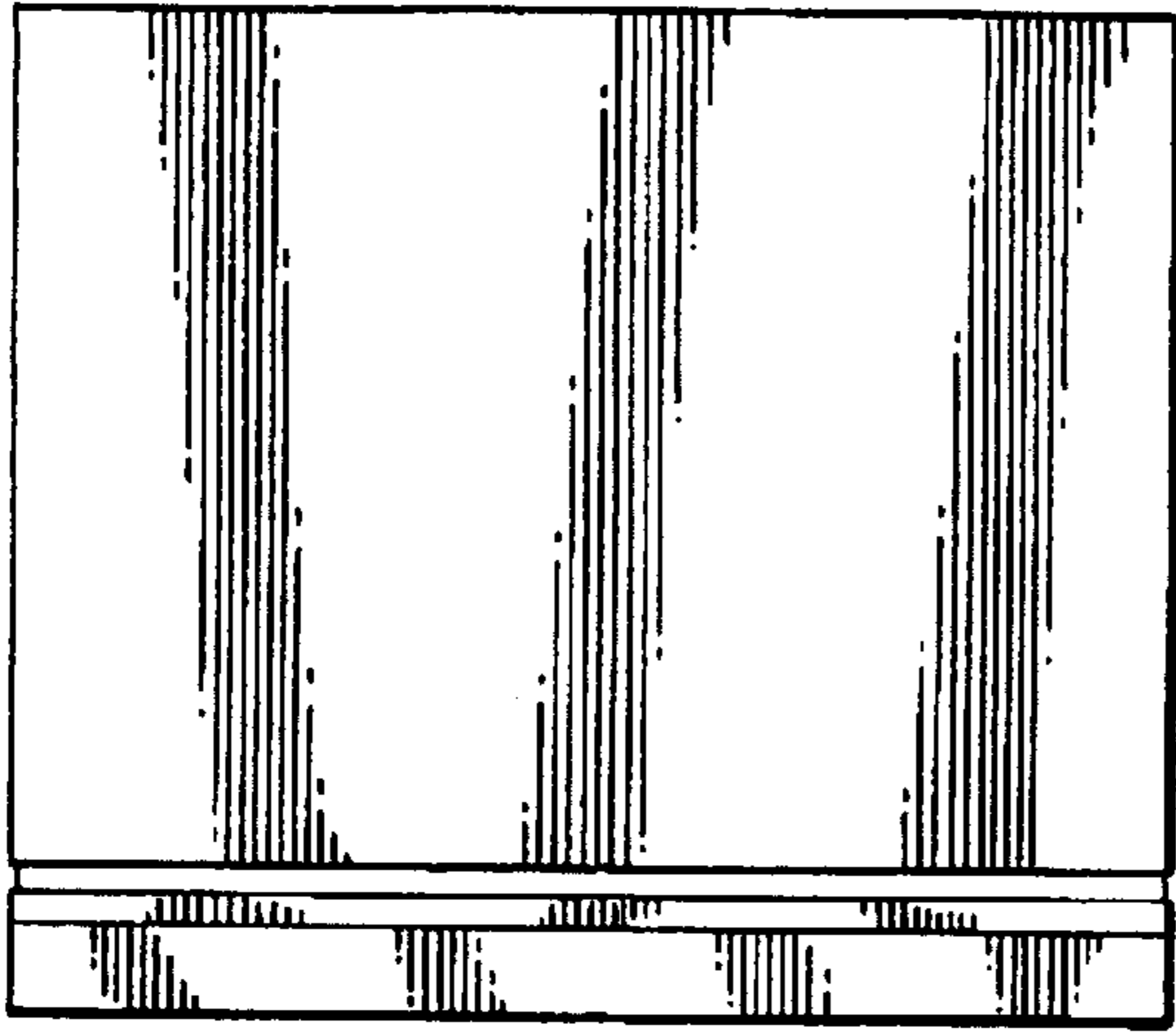


FIG. 4

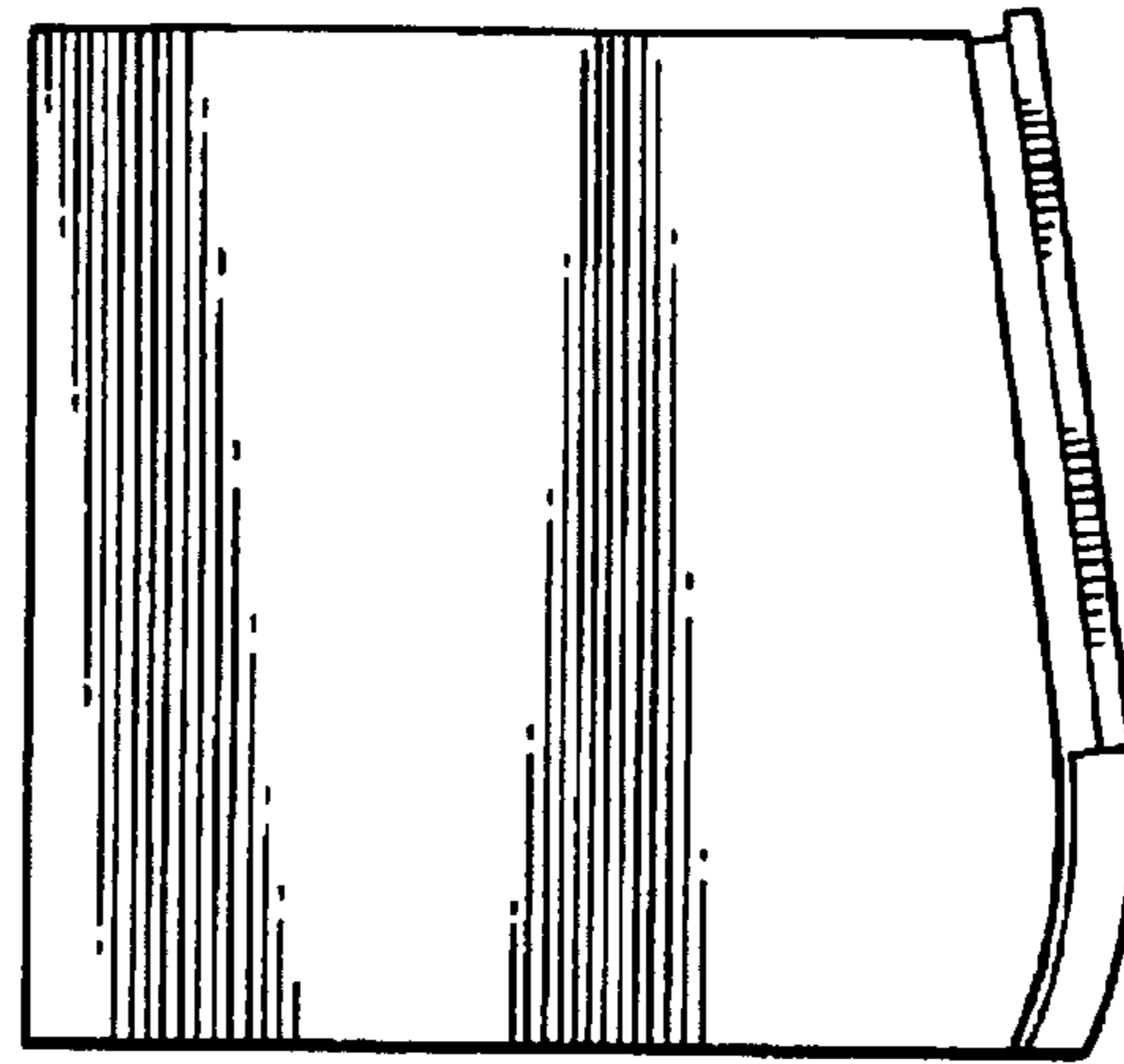


FIG. 5

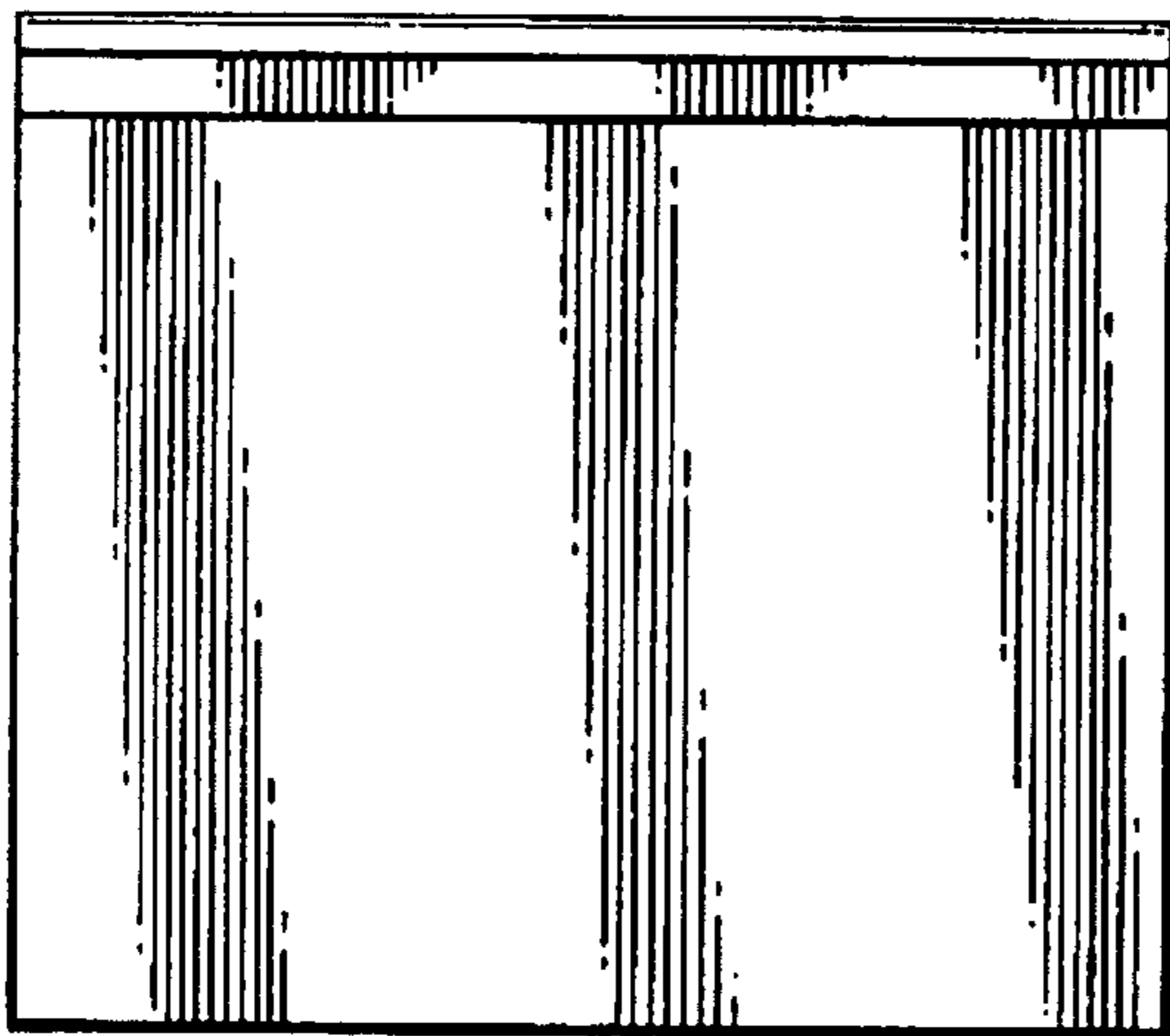


FIG. 6

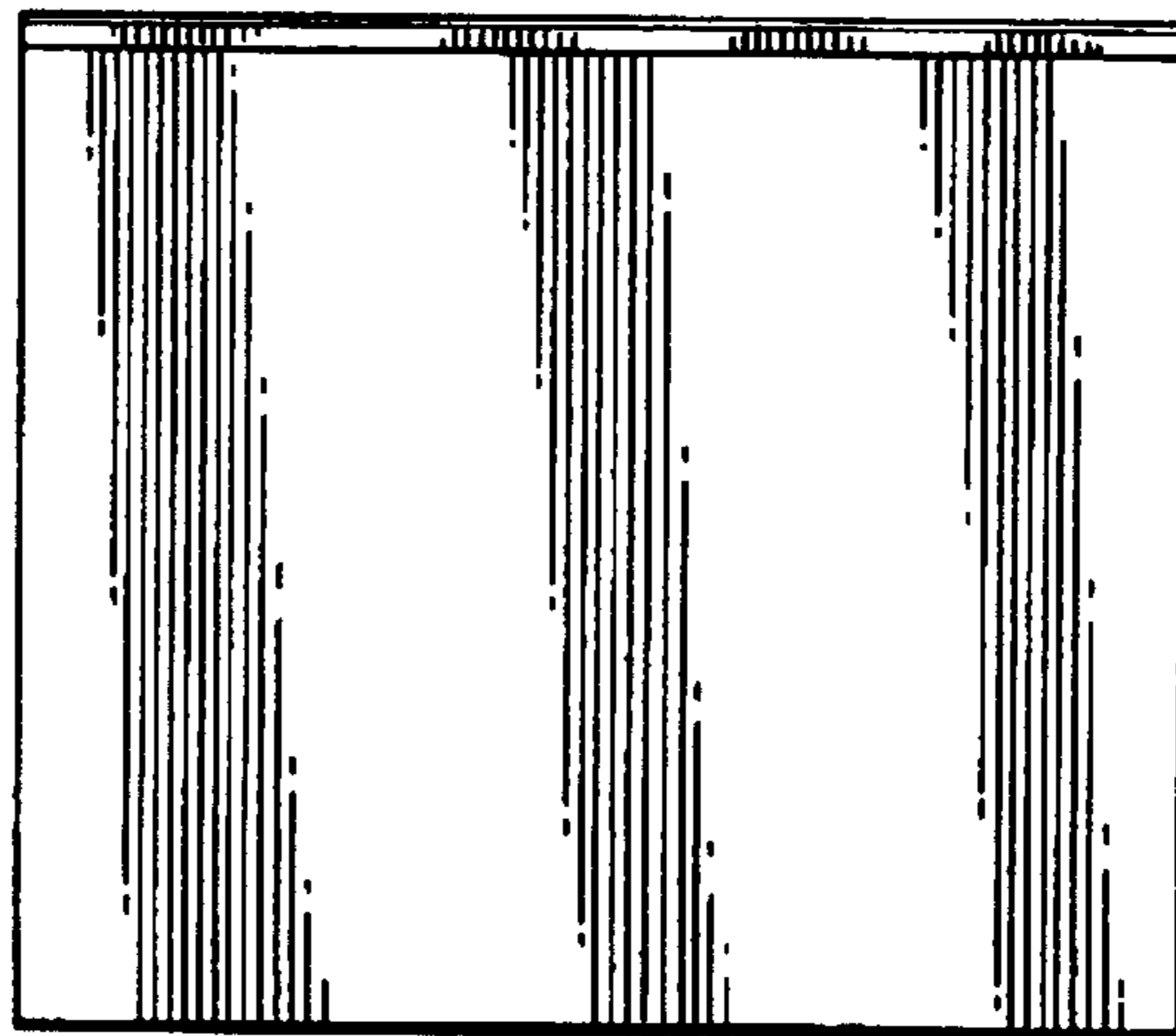


FIG. 7

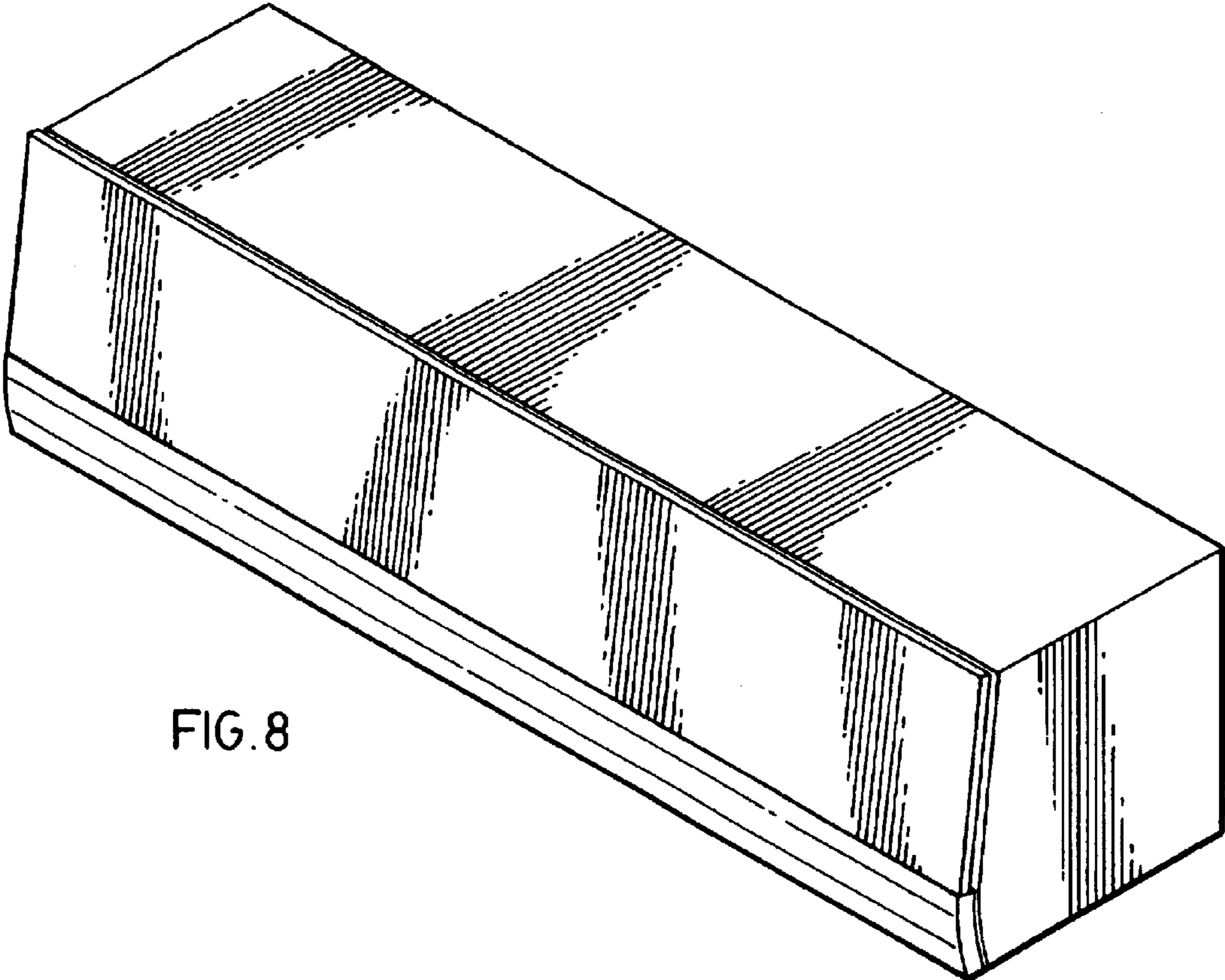
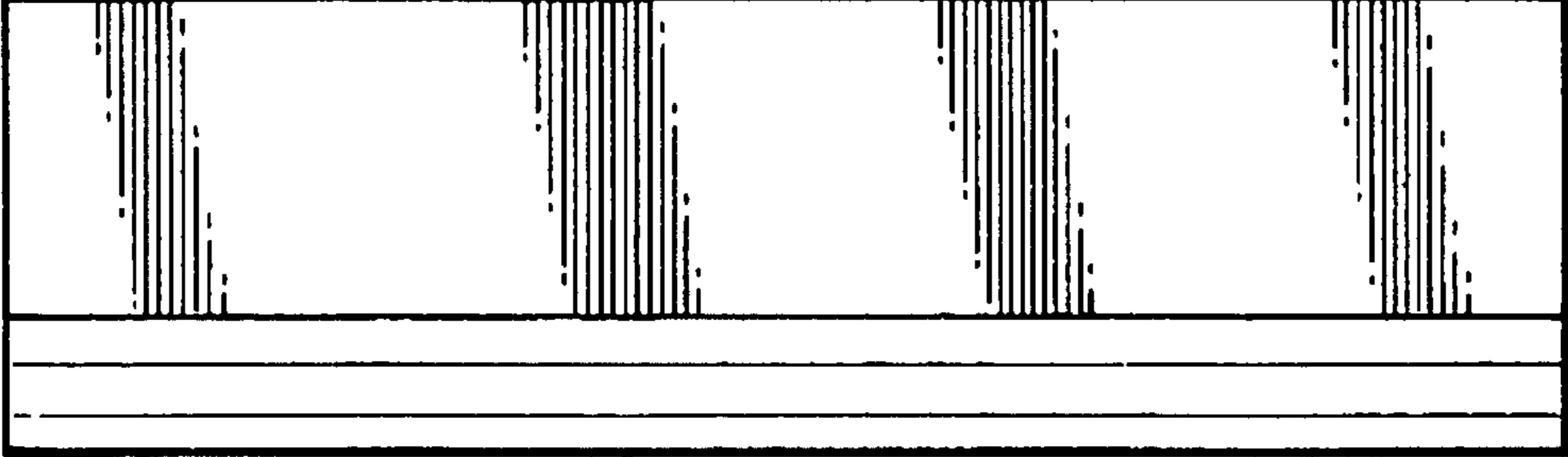


FIG. 8

FIG. 9



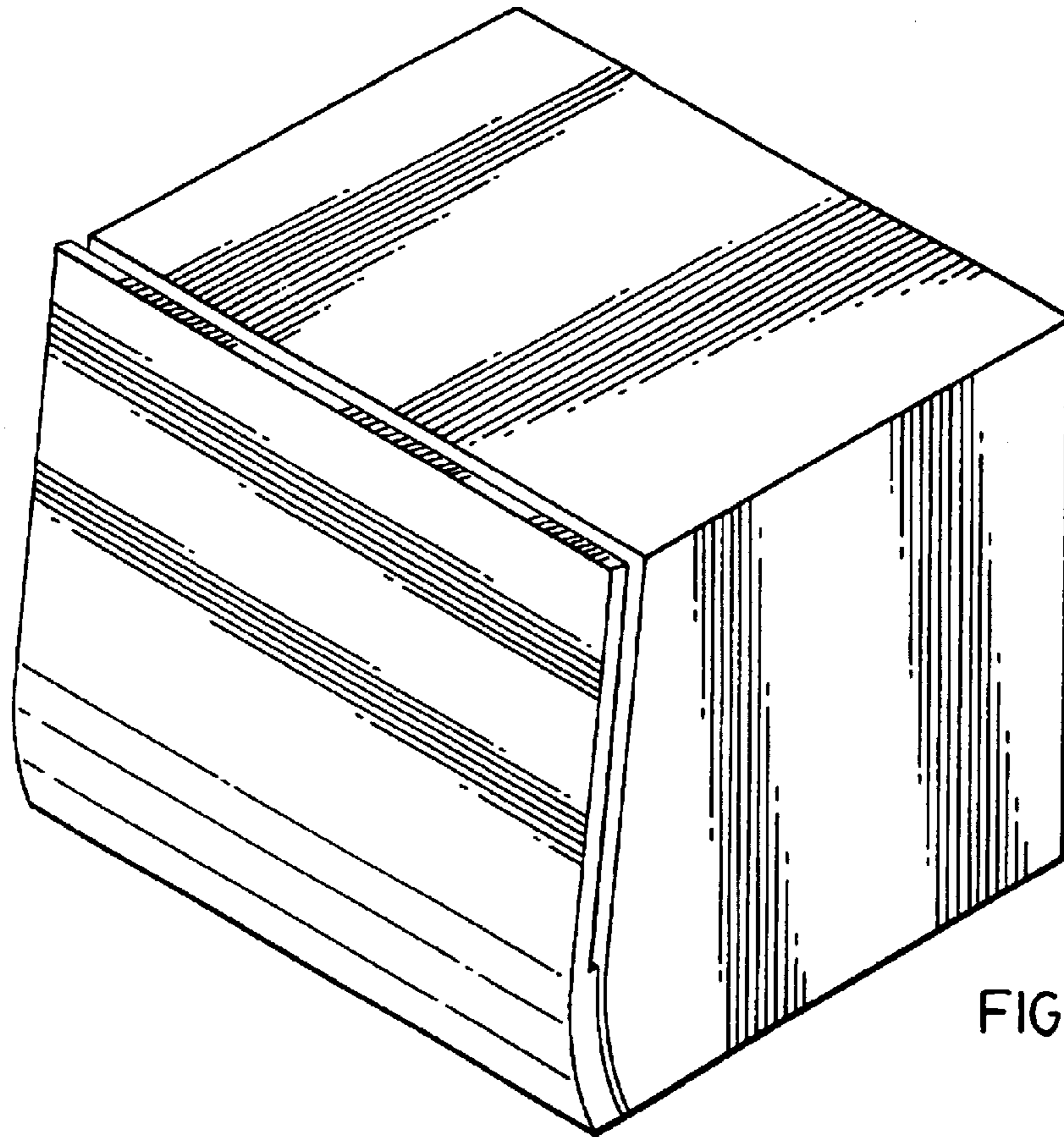


FIG. 10

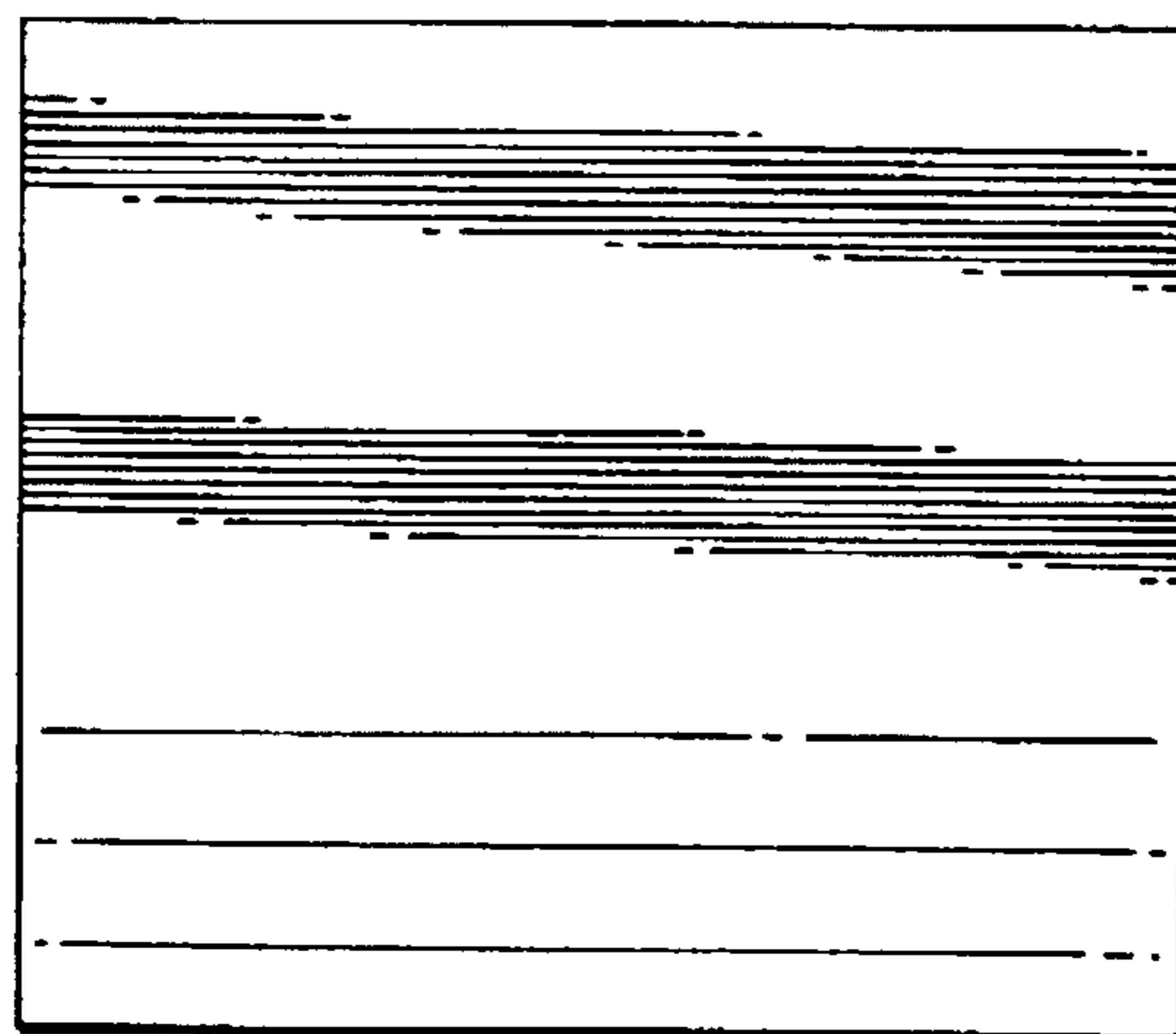


FIG. 11