

US00D517342S

(12) **United States Design Patent**
O'Hare

(10) **Patent No.:** **US D517,342 S**

(45) **Date of Patent:** **** Mar. 21, 2006**

(54) **HEADBOARD AND FOOTBOARD**

(75) **Inventor:** **Timothy M. O'Hare**, Oak Ridge, NC (US)

(73) **Assignee:** **Thomasville Furniture Industries, Inc.**, Thomasville, NC (US)

(**) **Term:** **14 Years**

(21) **Appl. No.:** **29/214,600**

(22) **Filed:** **Oct. 6, 2004**

(51) **LOC (8) Cl.** **06-01**

(52) **U.S. Cl.** **D6/393**

(58) **Field of Classification Search** D6/382,
D6/388, 389, 393-395, 505-508; 5/53.1,
5/279.1, 280, 281, 310, 907
See application file for complete search history.

(56) **References Cited**

U.S. PATENT DOCUMENTS

D412,795 S	*	8/1999	Bargagli-Stoffi	D6/393
D442,386 S	*	5/2001	Leon et al.	D6/393
D443,998 S	*	6/2001	Leon et al.	D6/393
D451,696 S	*	12/2001	Boerner et al.	D6/393
D455,909 S		4/2002	Wistehuff, Sr.	D6/393
D459,105 S		6/2002	Stanton	D6/393
D486,667 S		2/2004	Stanton	D6/393
D505,029 S	*	5/2005	Risdon et al.	D6/393

OTHER PUBLICATIONS

Sleigh Bed, Elysee Collection brochure, Thomasville Furniture Industries, Inc., pp. 2 & 3, 2002.

Nouvelle Sleigh Bed, River Roads Collection brochure, Thomasville Furniture Industries, Inc., p. 5, 1998.

Sleigh Bed, Villa Soleil Collection brochure, Thomasville Furniture Industries, Inc., pp. 2 & 3, 2003.

Sleigh Bed, Alfresco Collection brochure, Henredon Furniture Industries, Inc., date unknown, available as of the filing date.

Sleigh Bed, Louis Philippe Collection brochure, Pennsylvania House, p. 9, date unknown, available as of the filing date.

* cited by examiner

Primary Examiner—Janice E. Seeger

(74) *Attorney, Agent, or Firm*—Womble Carlyle Sandridge & Rice PLLC

(57) **CLAIM**

The ornamental design for a headboard and footboard, as shown and described.

DESCRIPTION

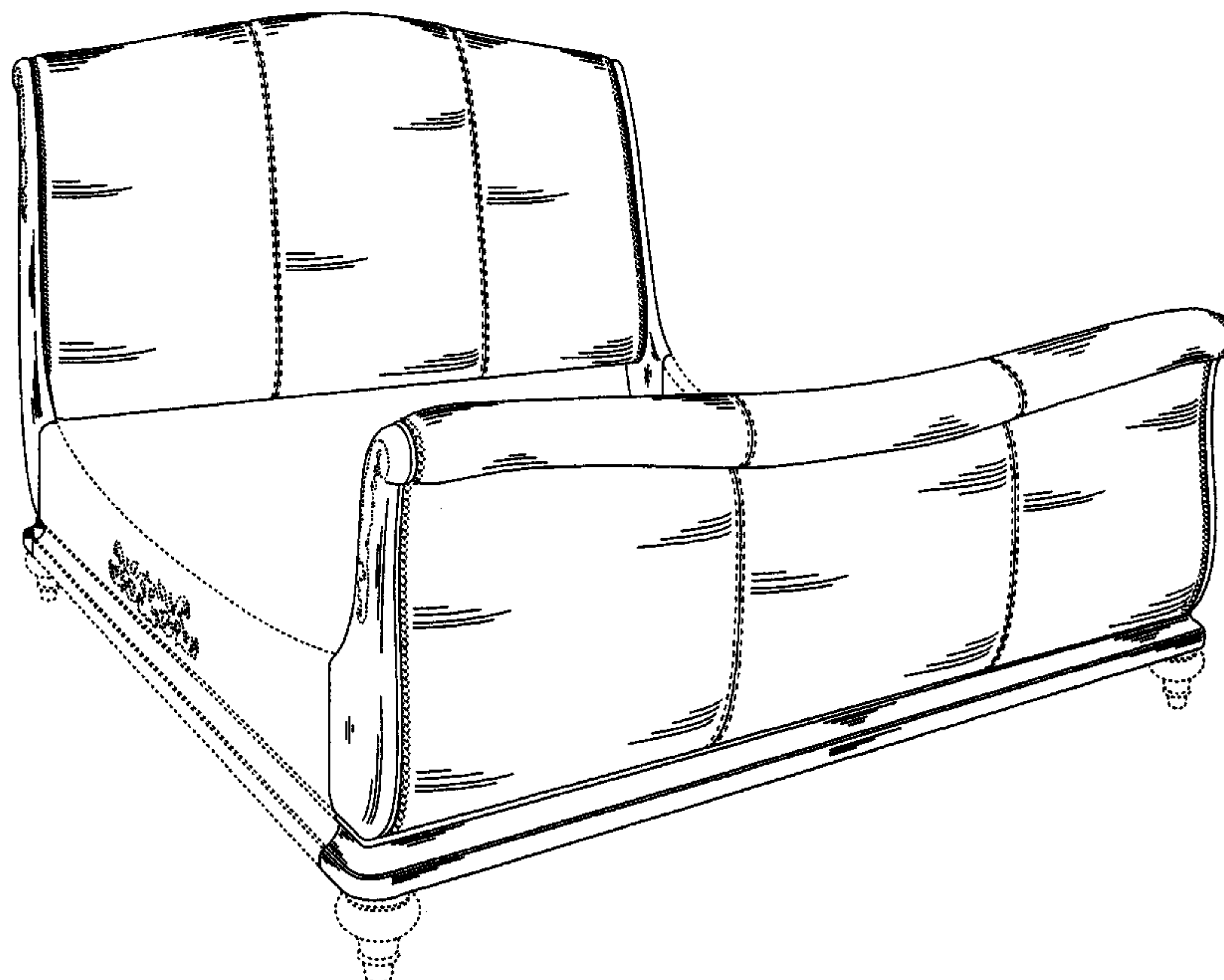
FIG. 1 is a perspective view of a headboard and footboard showing my new design;

FIG. 2 is a front elevational view thereof; and,

FIG. 3 is a side elevational view, the opposite side being a mirror image thereof.

The views of the headboard and footboard not shown form no part of the claimed design. The broken lines depicting feet, nail heads, side rails and ornamentation on rails represent environmental elements only and form no part of the claimed design.

1 Claim, 3 Drawing Sheets



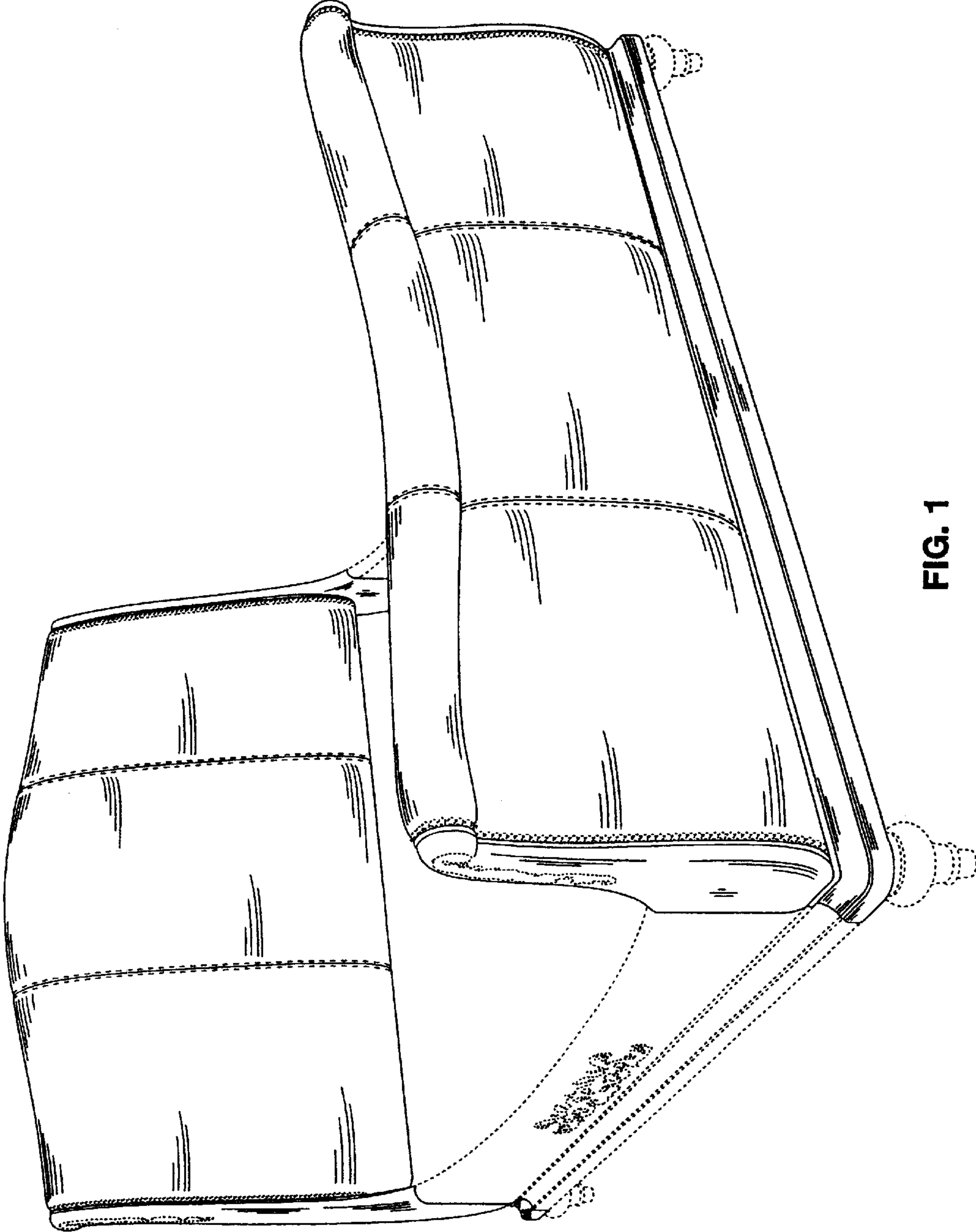


FIG. 1

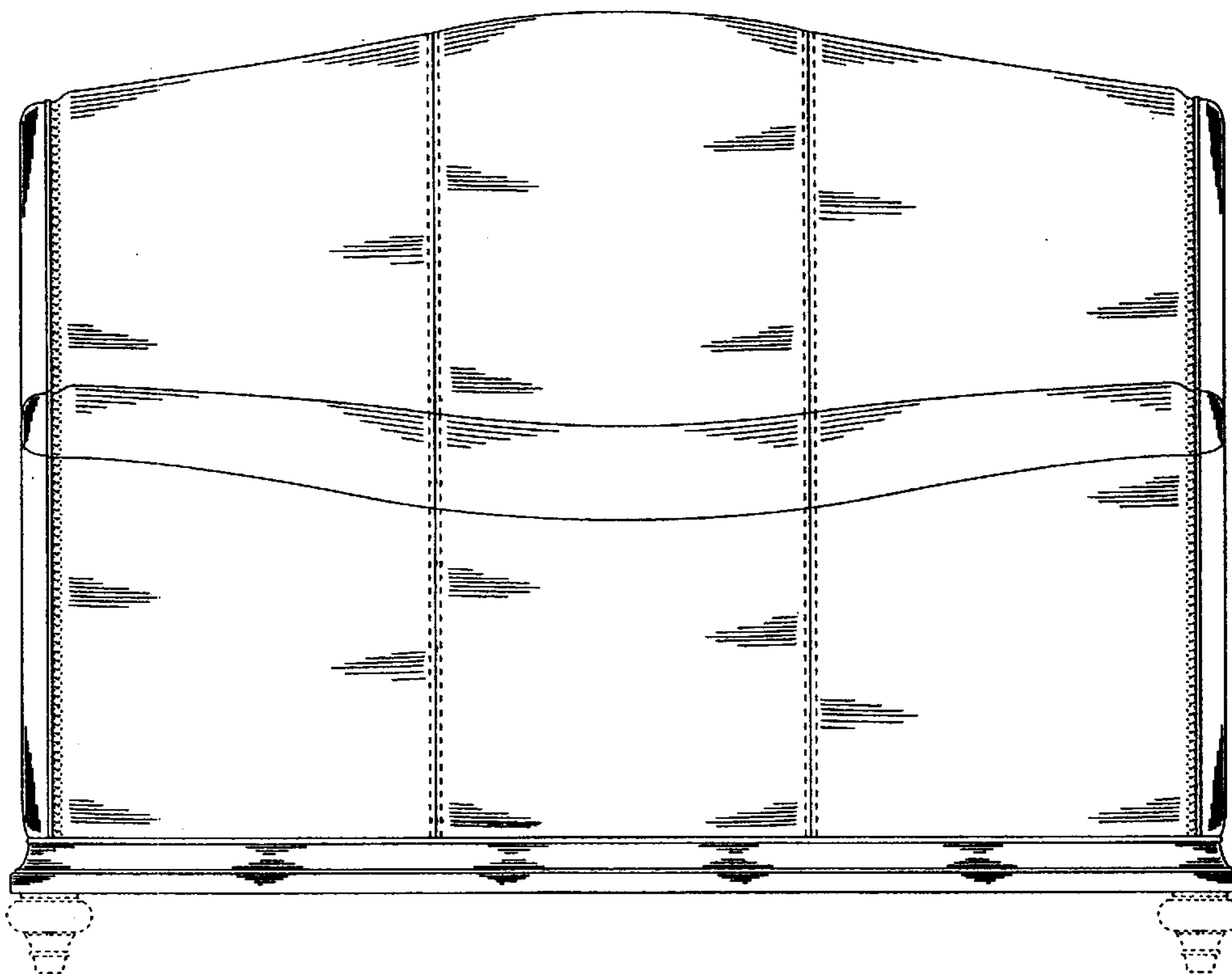


FIG. 2

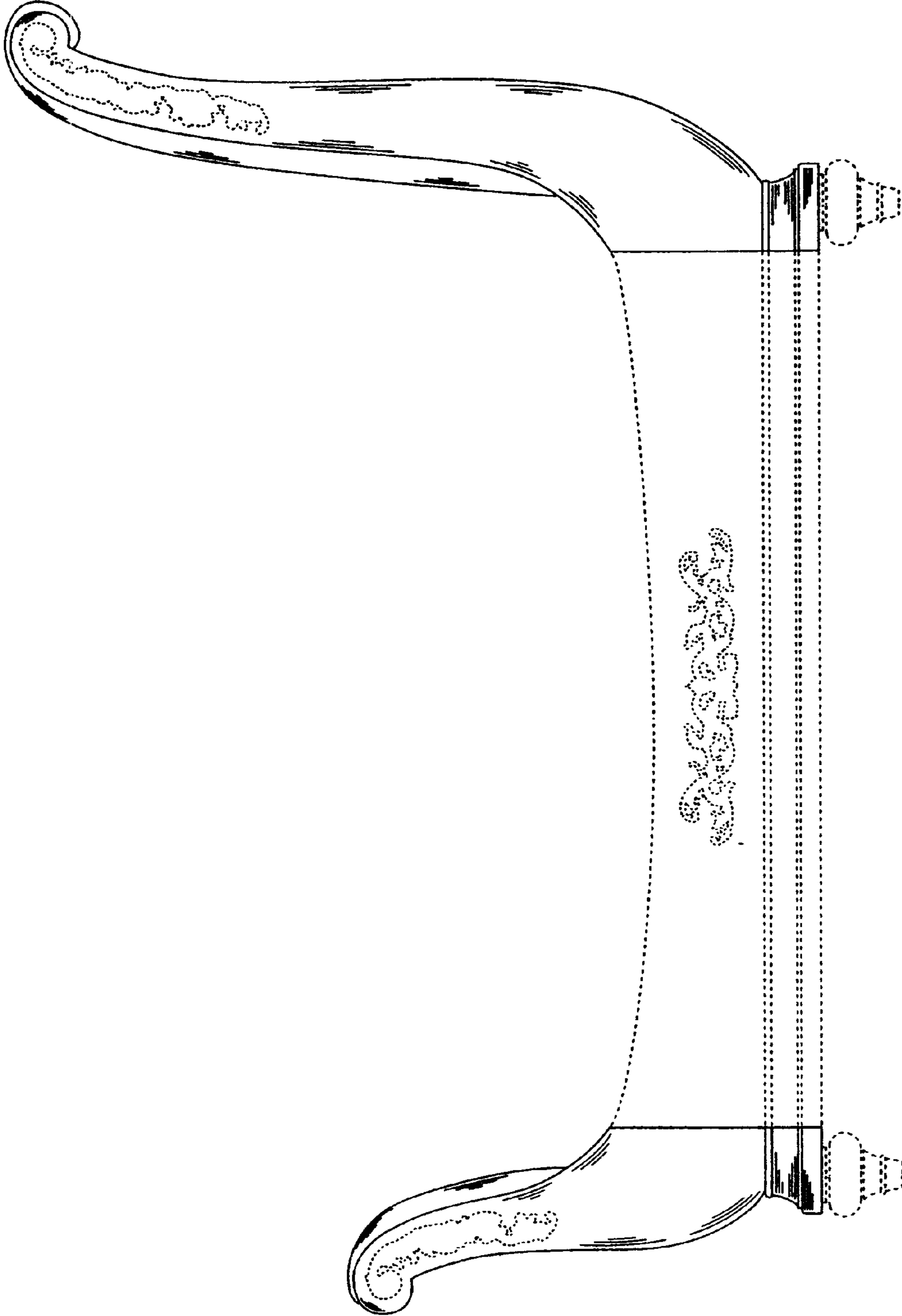


FIG. 3