



US00D517338S

(12) **United States Design Patent**
Inada et al.

(10) **Patent No.:** **US D517,338 S**
(45) **Date of Patent:** **** Mar. 21, 2006**

(54) **MESSAGE CHAIR**

(75) Inventors: **Nichimu Inada**, Osaka (JP); **Shiro Watanabe**, Tottori (JP)

(73) Assignee: **Family Co., Ltd.**, Osaka (JP)

(**) Term: **14 Years**

(21) Appl. No.: **29/218,442**

(22) Filed: **Dec. 1, 2004**

(30) **Foreign Application Priority Data**

Jun. 18, 2004 (JP) 2004-018357

(51) **LOC (8) Cl.** **06-01**

(52) **U.S. Cl.** **D6/367**

(58) **Field of Classification Search** D6/334-336,
D6/360, 361, 367, 371, 373, 500-502; 297/85,
297/281, 271.2, 271.3, 423.19, 423.2; 601/97-99,
601/102, 115, 116, 148, 149

See application file for complete search history.

(56) **References Cited**

U.S. PATENT DOCUMENTS

D372,801 S	*	8/1996	Fujimoto et al.	D6/367
D372,802 S	*	8/1996	Fujimoto et al.	D6/367
5,762,618 A	*	6/1998	Yamanaka et al.	601/148
D402,479 S		12/1998	Inada		
D471,372 S	*	3/2003	Inada et al.	D6/367
D476,492 S	*	7/2003	Yamamoto et al.	D6/335
D491,375 S	*	6/2004	Yuyama	D6/335
D502,607 S	*	3/2005	Miyake et al.	D6/335
D502,817 S	*	3/2005	Inada et al.	D6/367
D502,830 S	*	3/2005	Inada et al.	D6/501
D503,048 S	*	3/2005	Inada et al.	D6/367
D504,783 S	*	5/2005	Park	D6/336

FOREIGN PATENT DOCUMENTS

JP	1206576	4/2004
JP	HA16004711	4/2004

* cited by examiner

Primary Examiner—Mimosa De
(74) *Attorney, Agent, or Firm*—Alleman Hall McCoy Russell & Tuttle LLP

(57) **CLAIM**

The ornamental design for a massage chair, as shown and described.

DESCRIPTION

FIG. 1 is a front view of a massage chair of the present invention.

FIG. 2 is a rear view of the massage chair of FIG. 1.

FIG. 3 is a top view of the massage chair of FIG. 1.

FIG. 4 is a bottom view of the massage chair of FIG. 1.

FIG. 5 is a left side view of the massage chair of FIG. 1, the right side being a mirror image thereof.

FIG. 6 is a front view of the massage chair of FIG. 1, shown in a configuration with inflated airbags.

FIG. 7 is a rear view of the massage chair of FIG. 1, shown in a configuration with inflated airbags.

FIG. 8 is a top view of the massage chair of FIG. 1, shown in a configuration with inflated airbags.

FIG. 9 is a bottom view of the massage chair of FIG. 1, shown in a configuration with inflated airbags.

FIG. 10 is a left side view of the massage chair of FIG. 1 shown in a configuration with inflated airbags, the right side being a mirror image thereof.

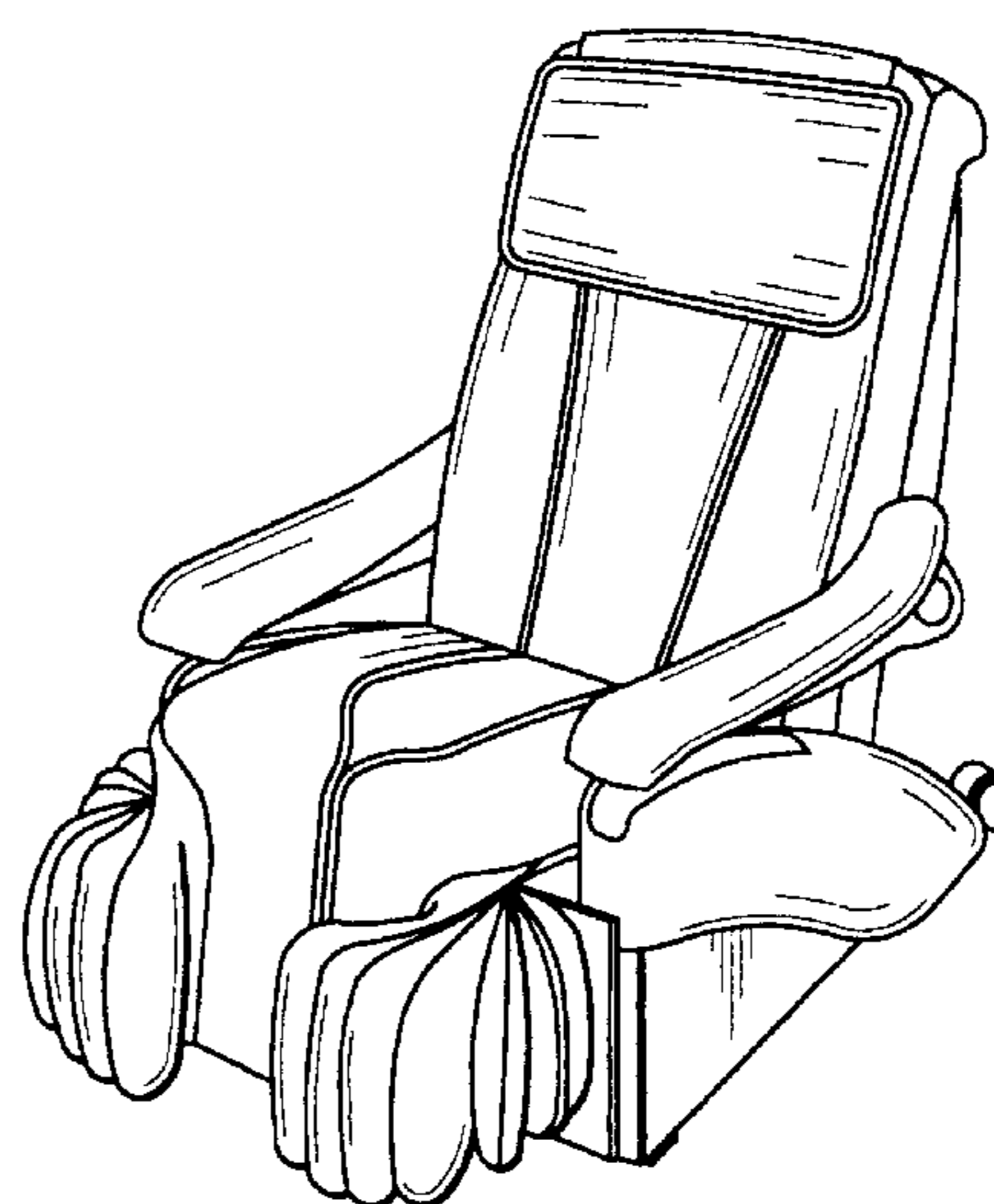
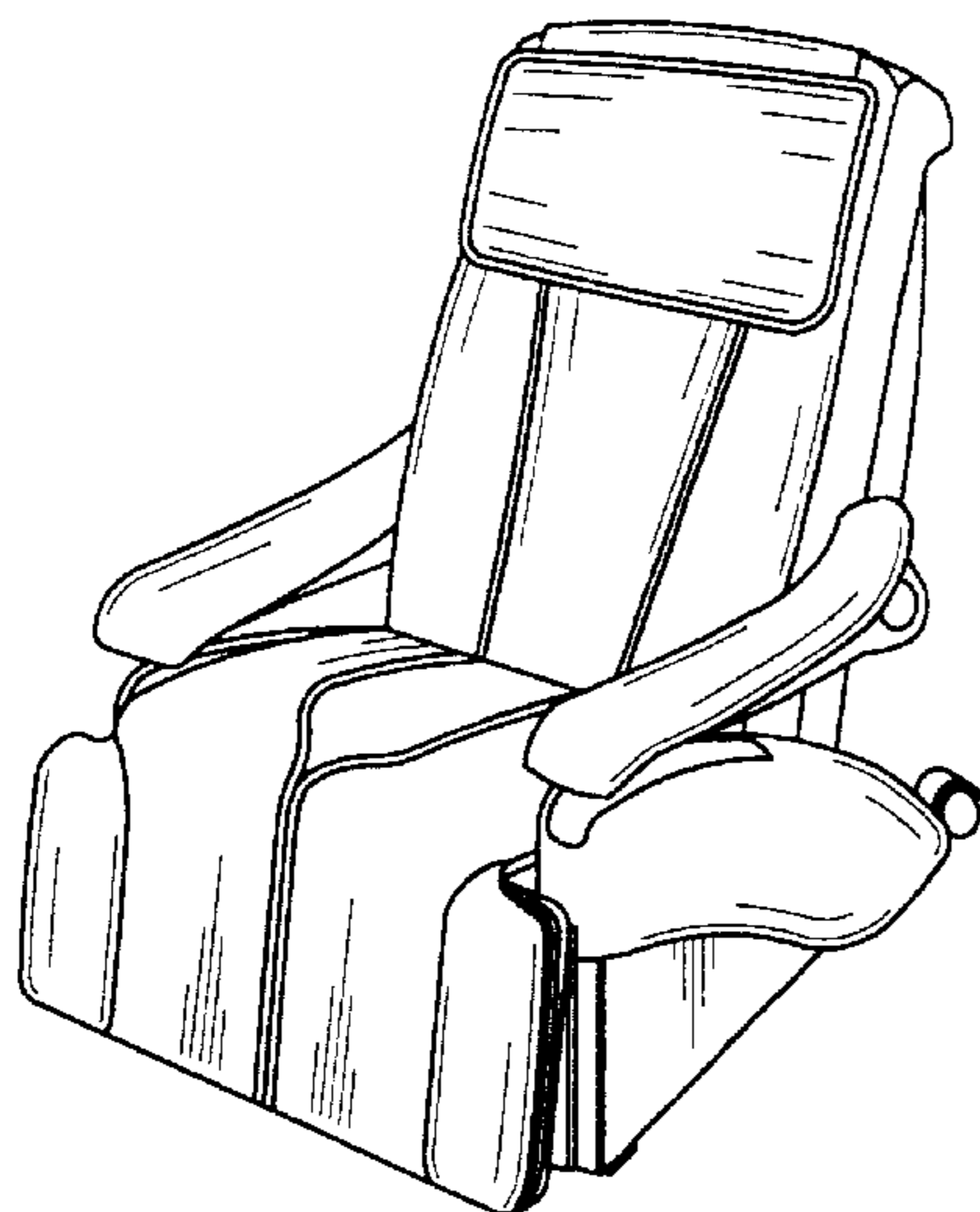
FIG. 11 is a front perspective view of the massage chair of FIG. 1.

FIG. 12 is a front perspective view of the massage chair of FIG. 1, shown in a configuration with inflated airbags.

FIG. 13 is a front perspective view of the massage chair of FIG. 1, shown in a reclined configuration; and,

FIG. 14 is a left side view of the massage chair of FIG. 1 shown with arms in a raised configuration, the right side being a mirror image thereof.

1 Claim, 7 Drawing Sheets



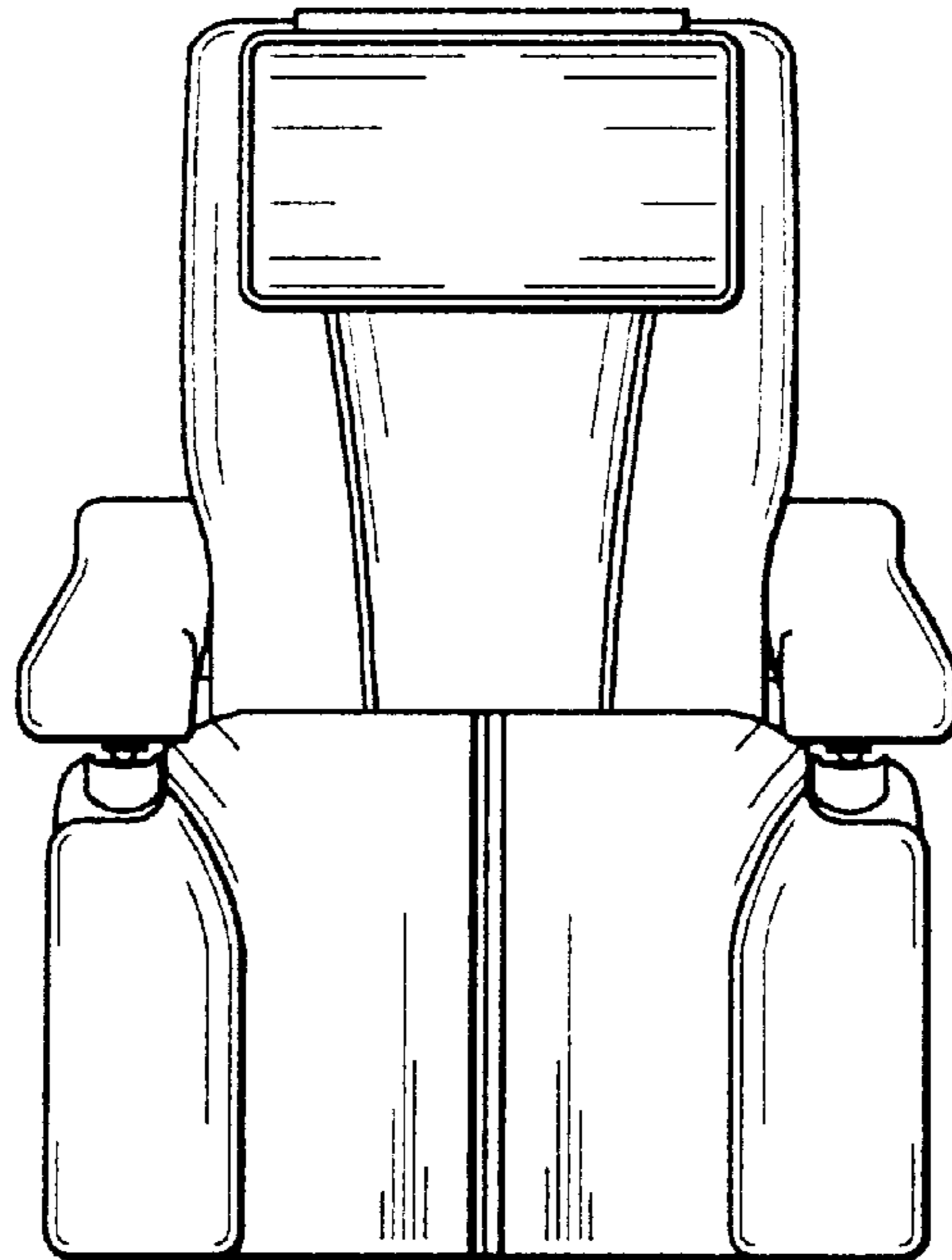


FIG. 1

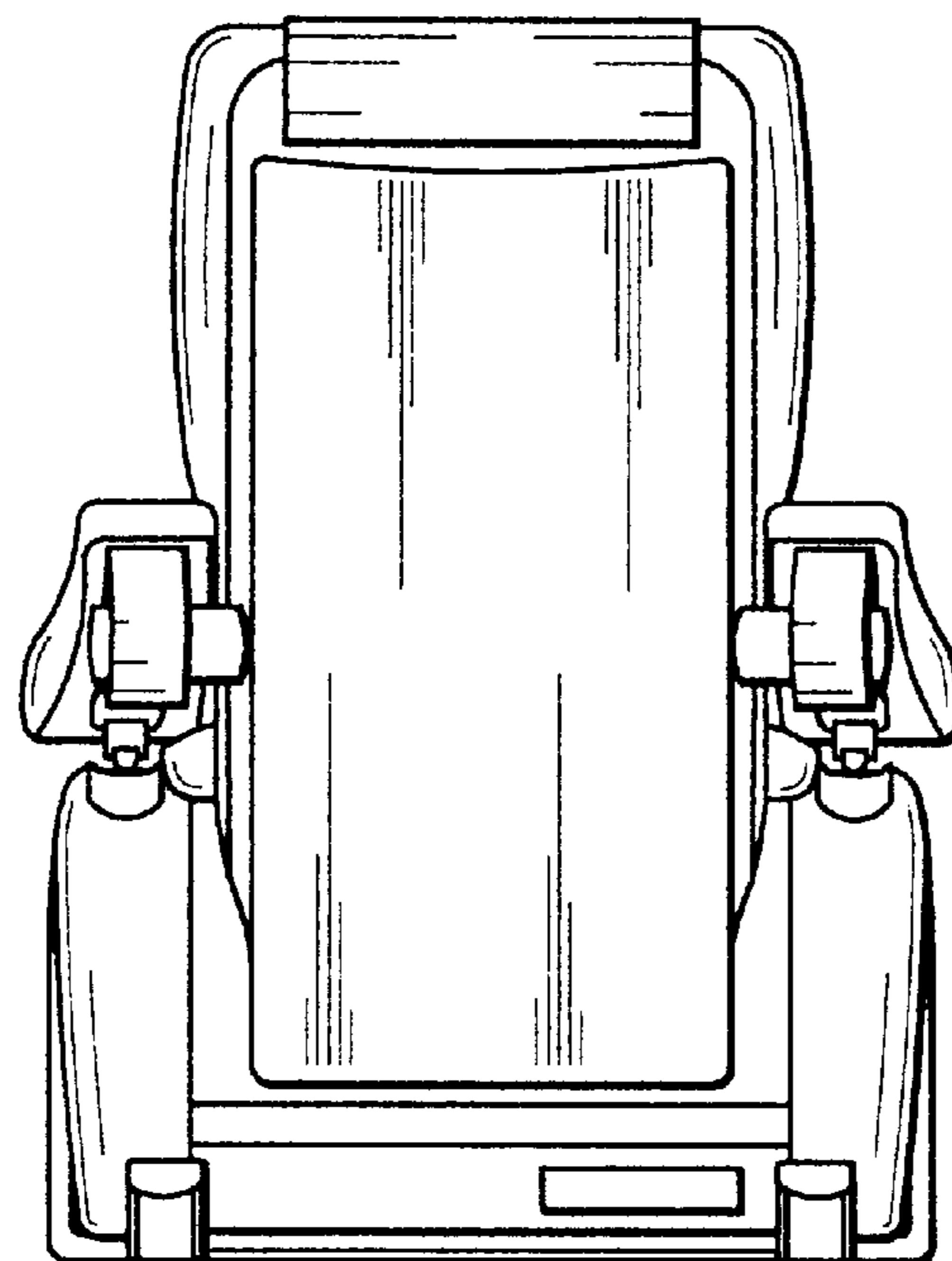


FIG. 2

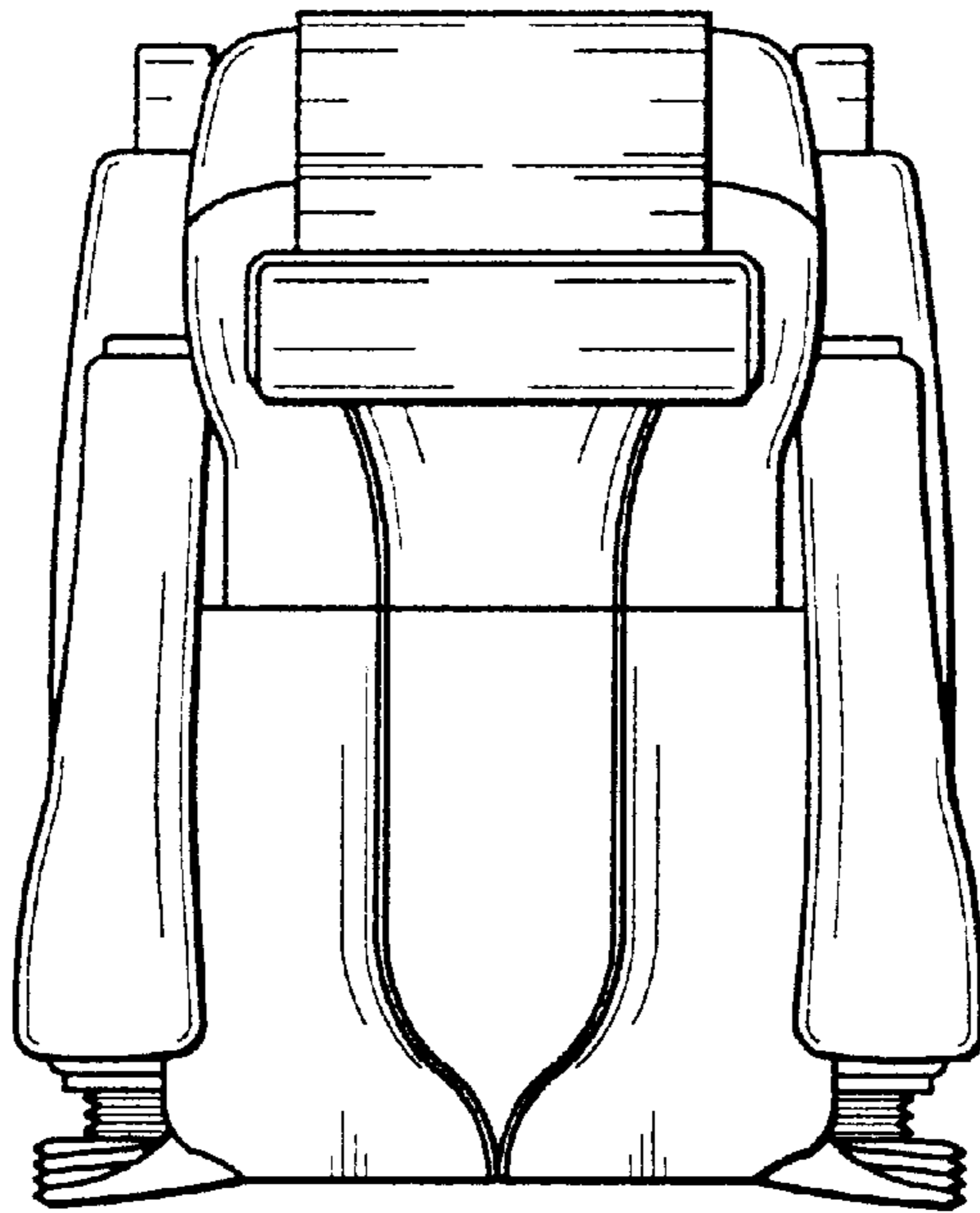


FIG. 3

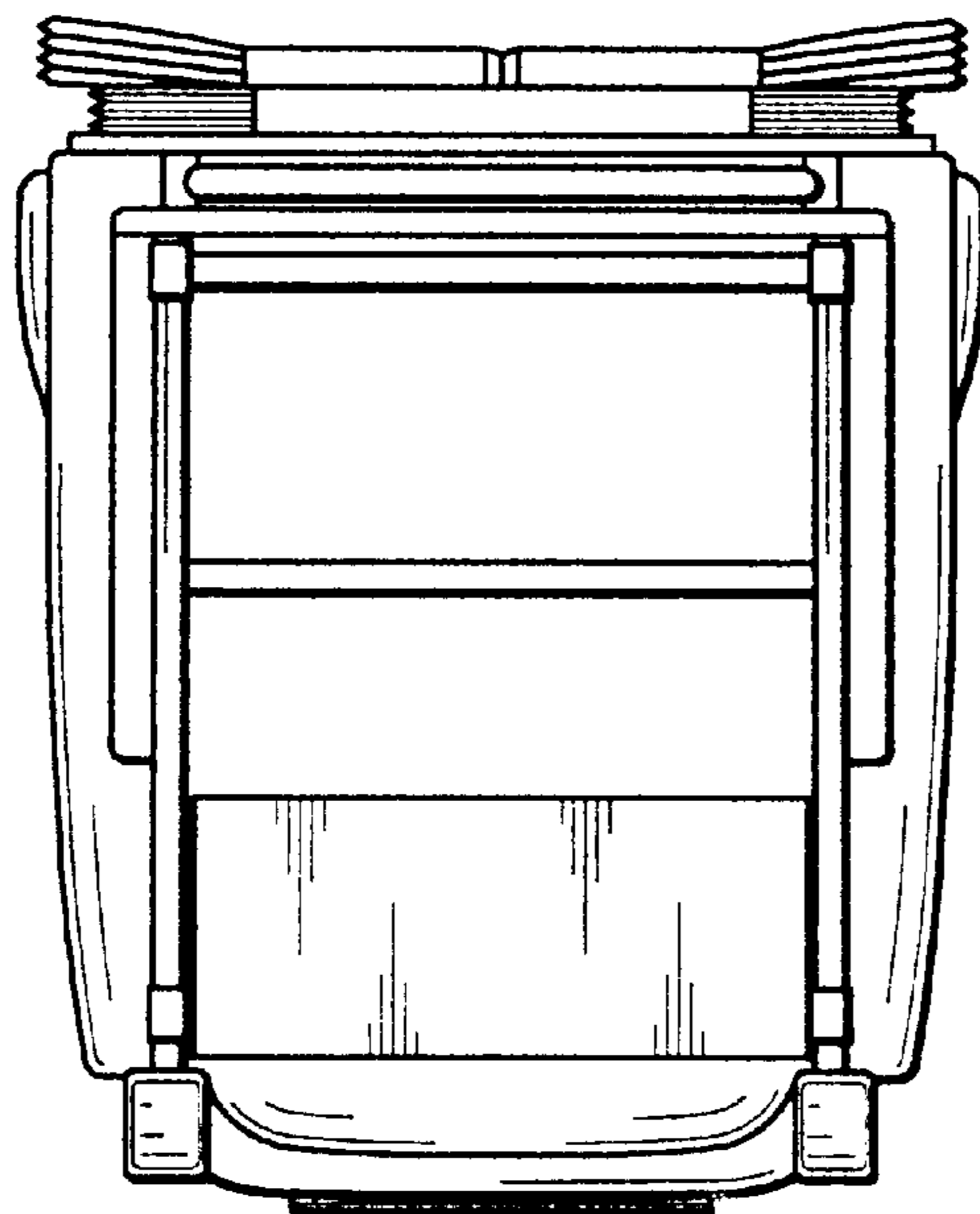


FIG. 4

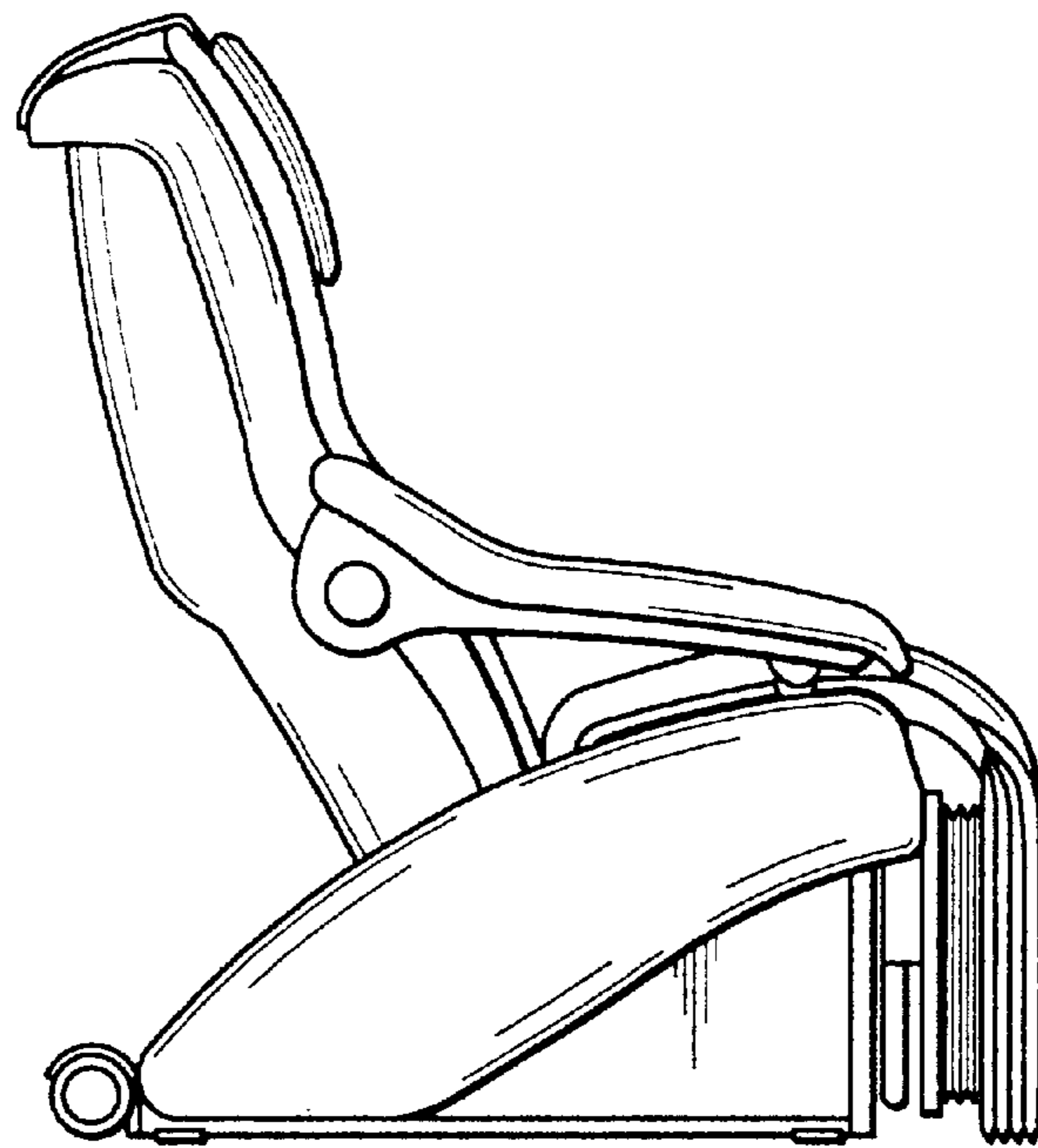


FIG. 5

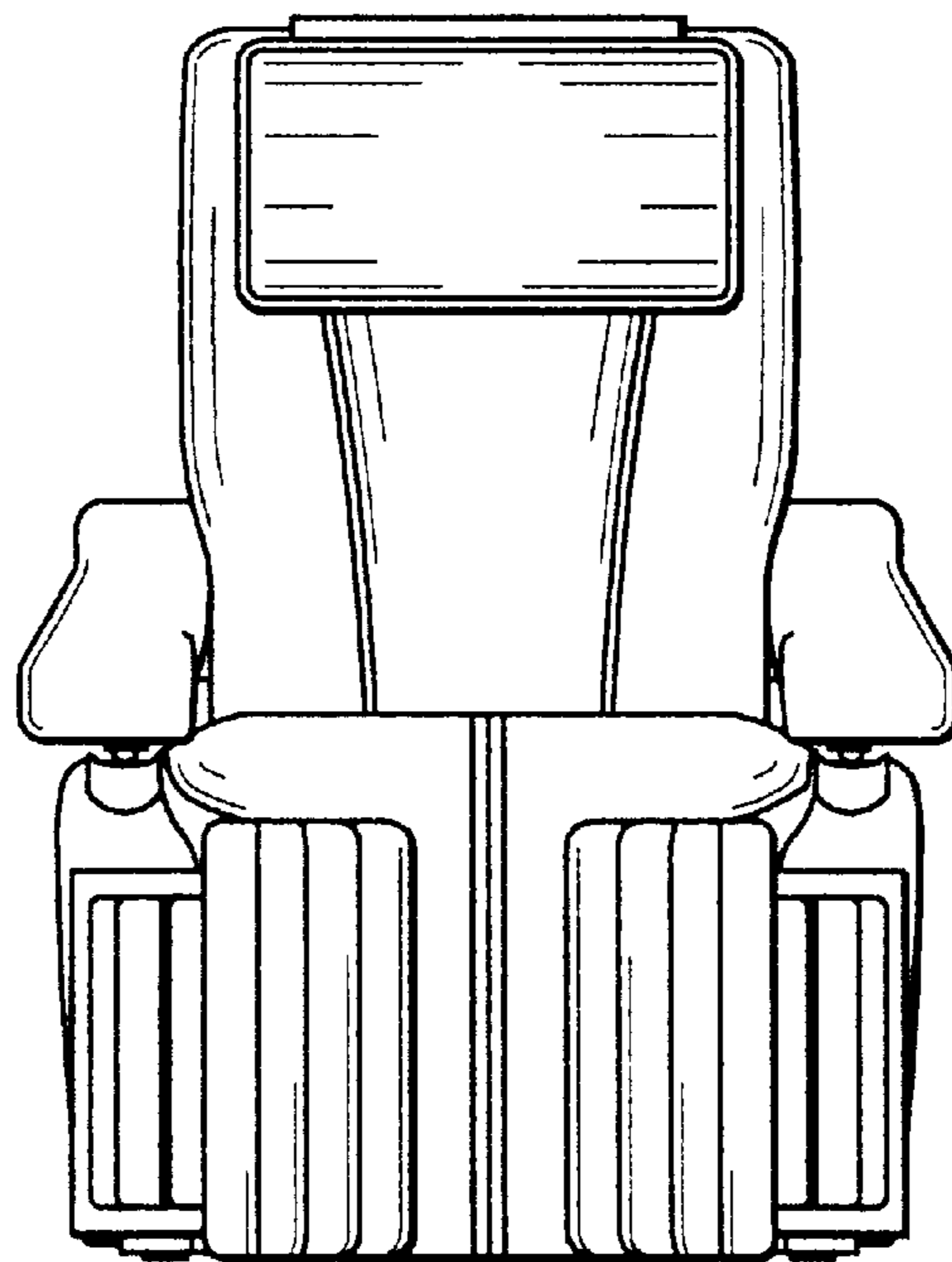


FIG. 6

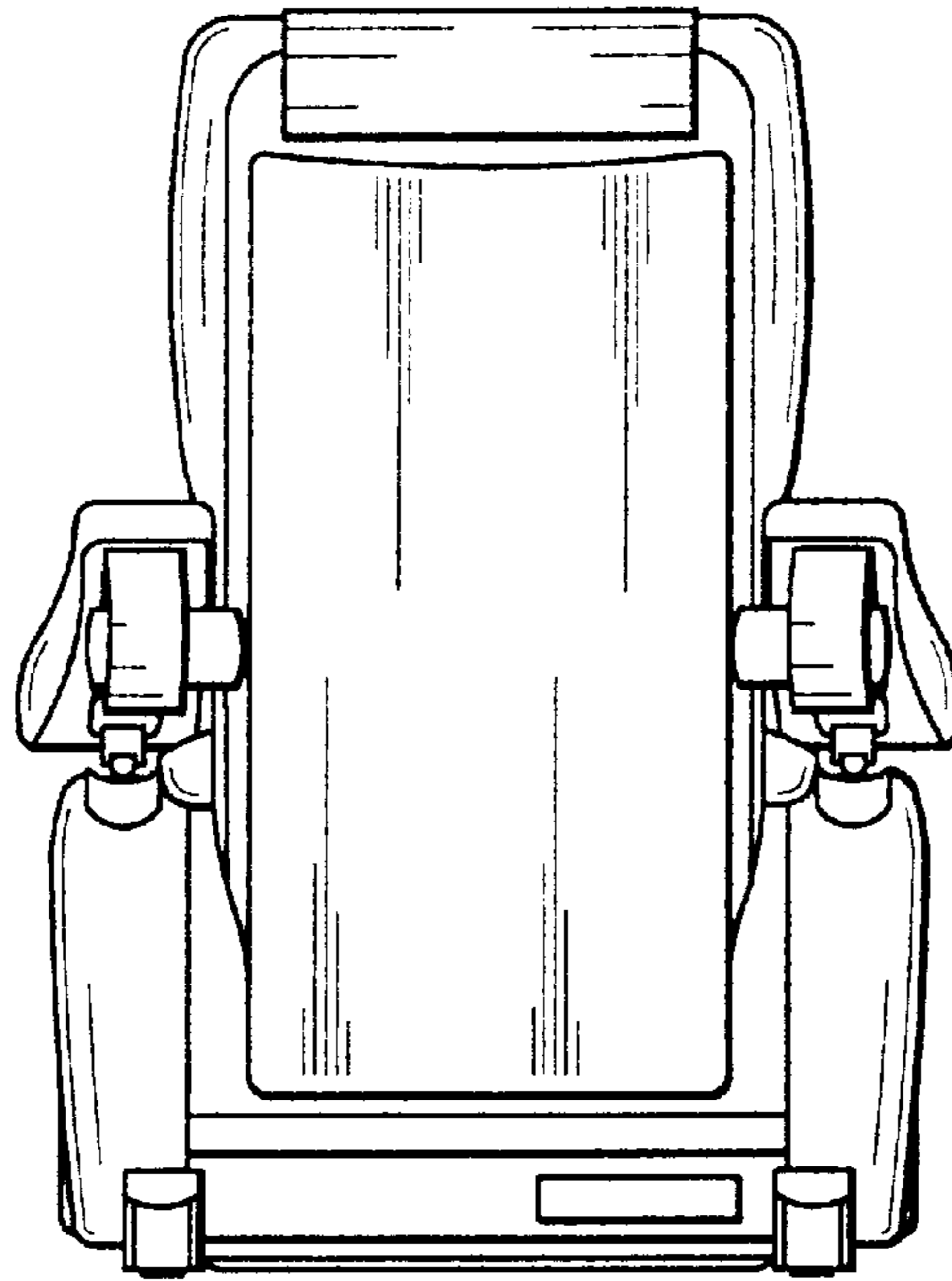


FIG. 7

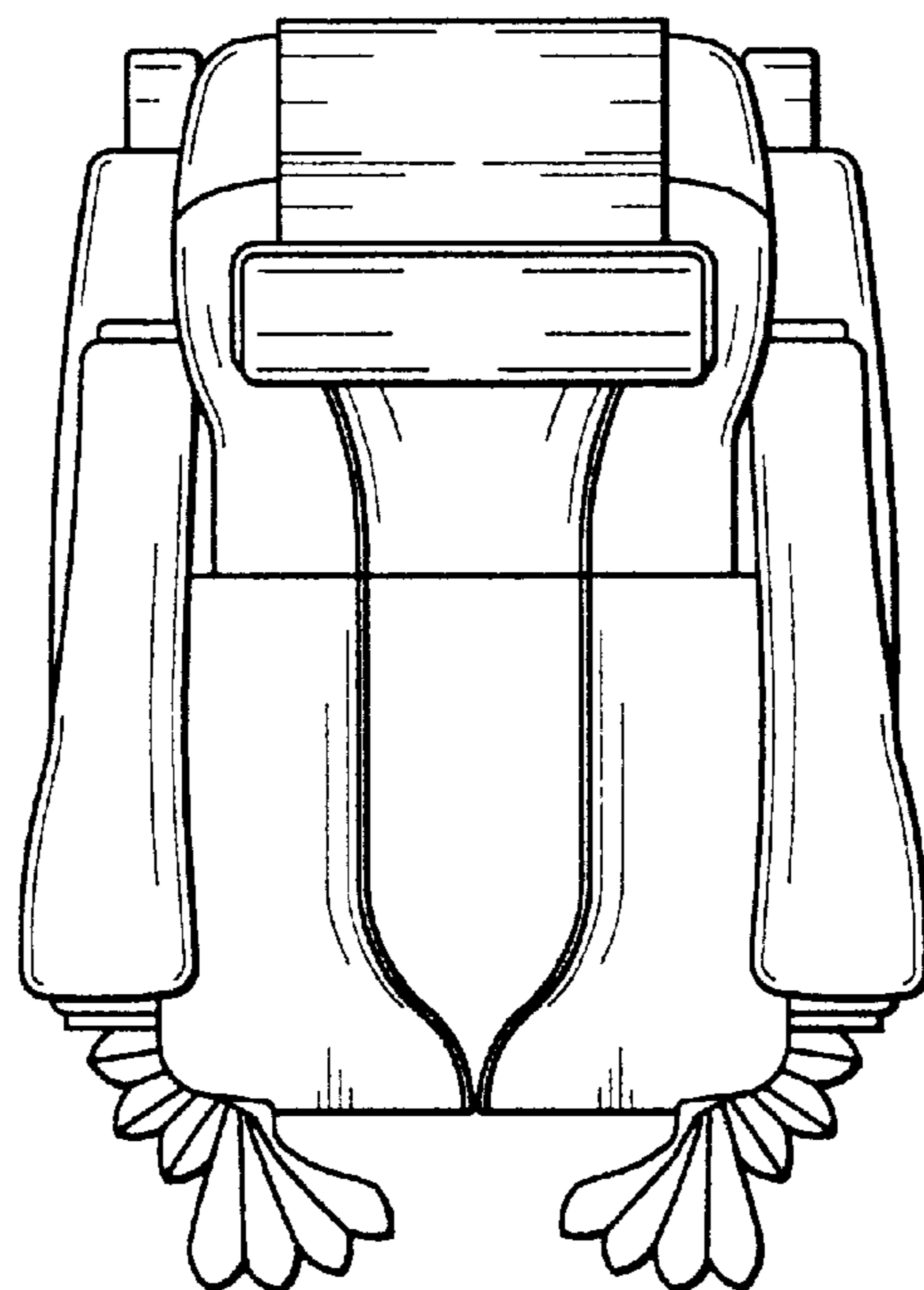


FIG. 8

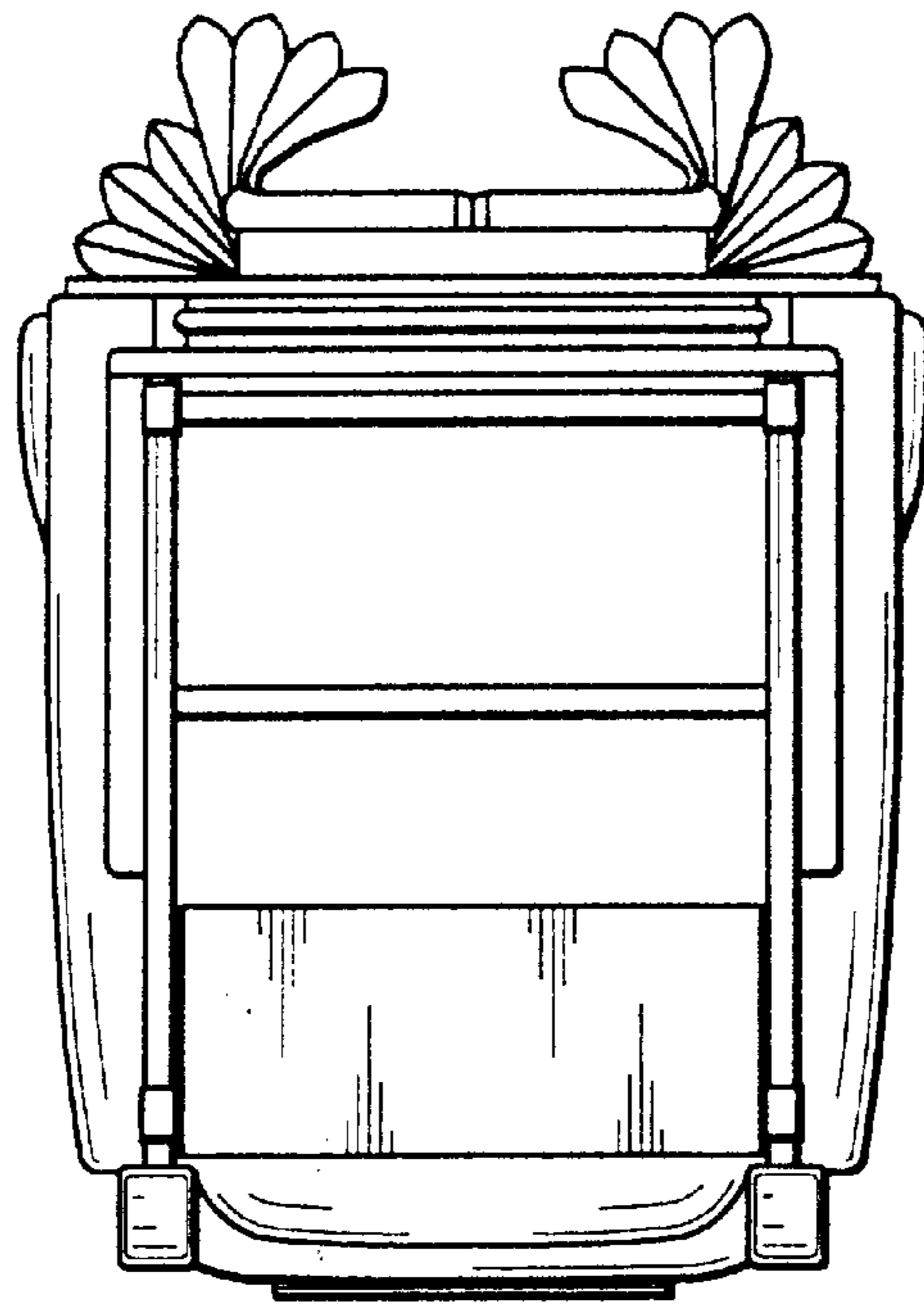


FIG. 9

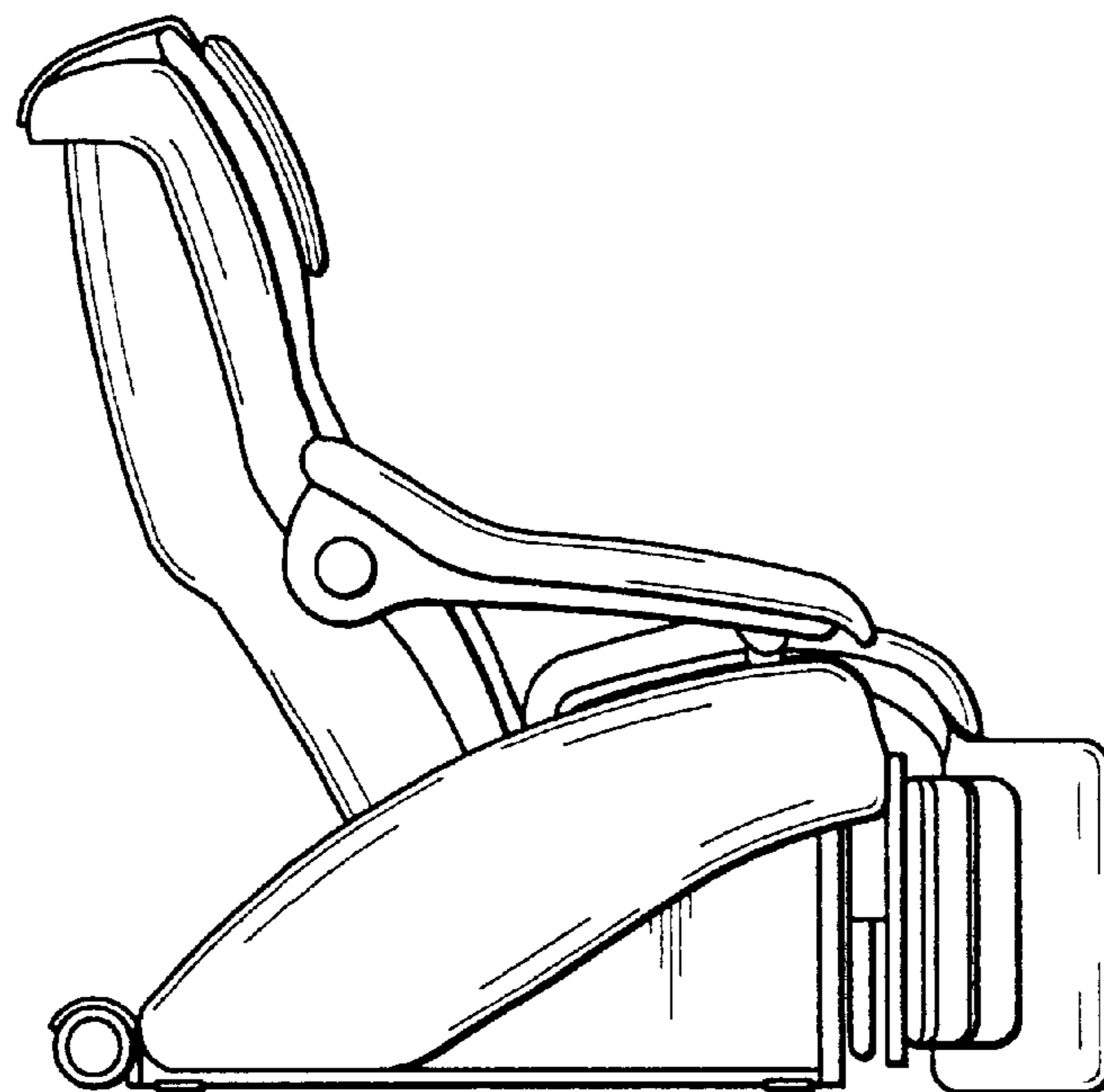


FIG. 10

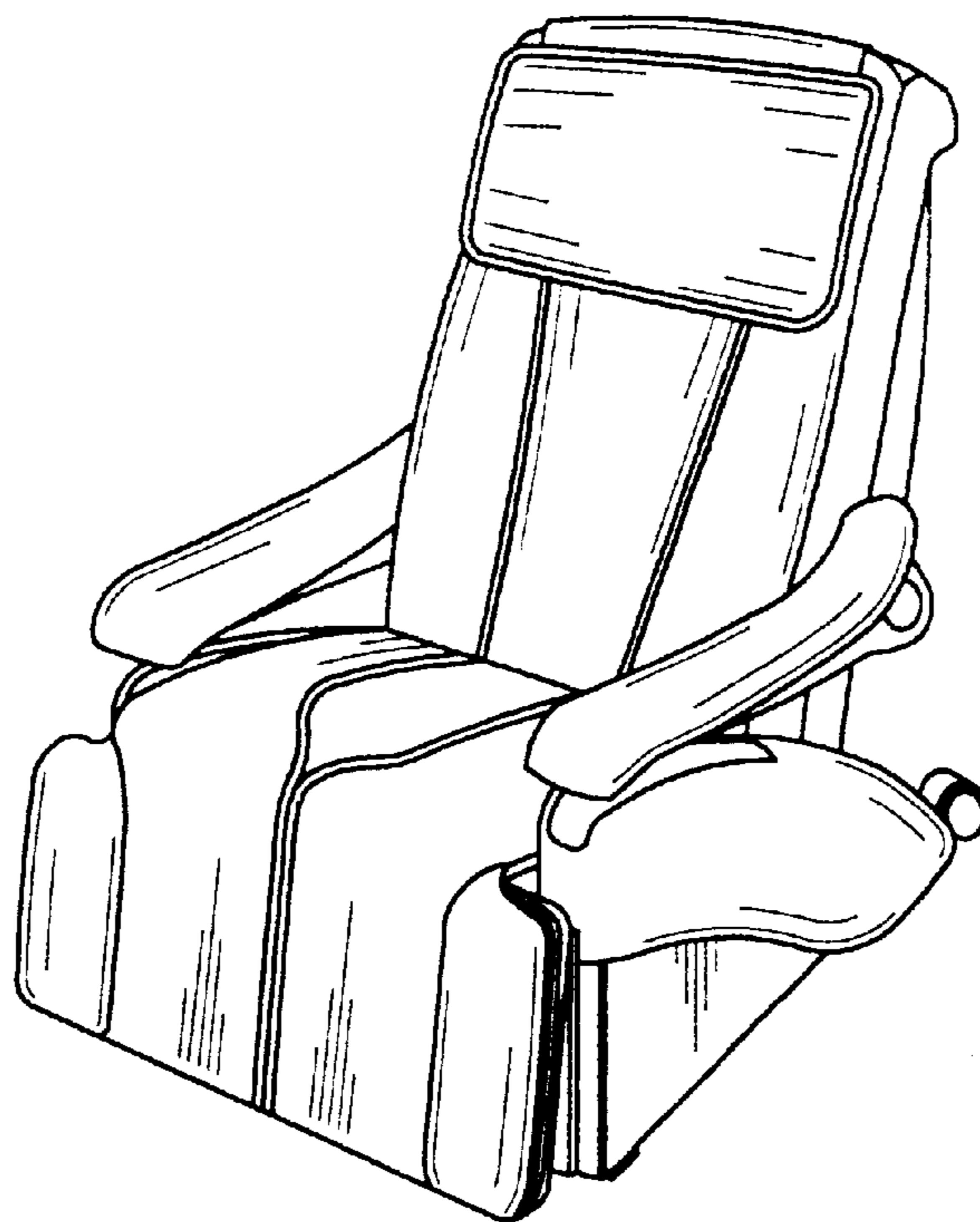


FIG. 11

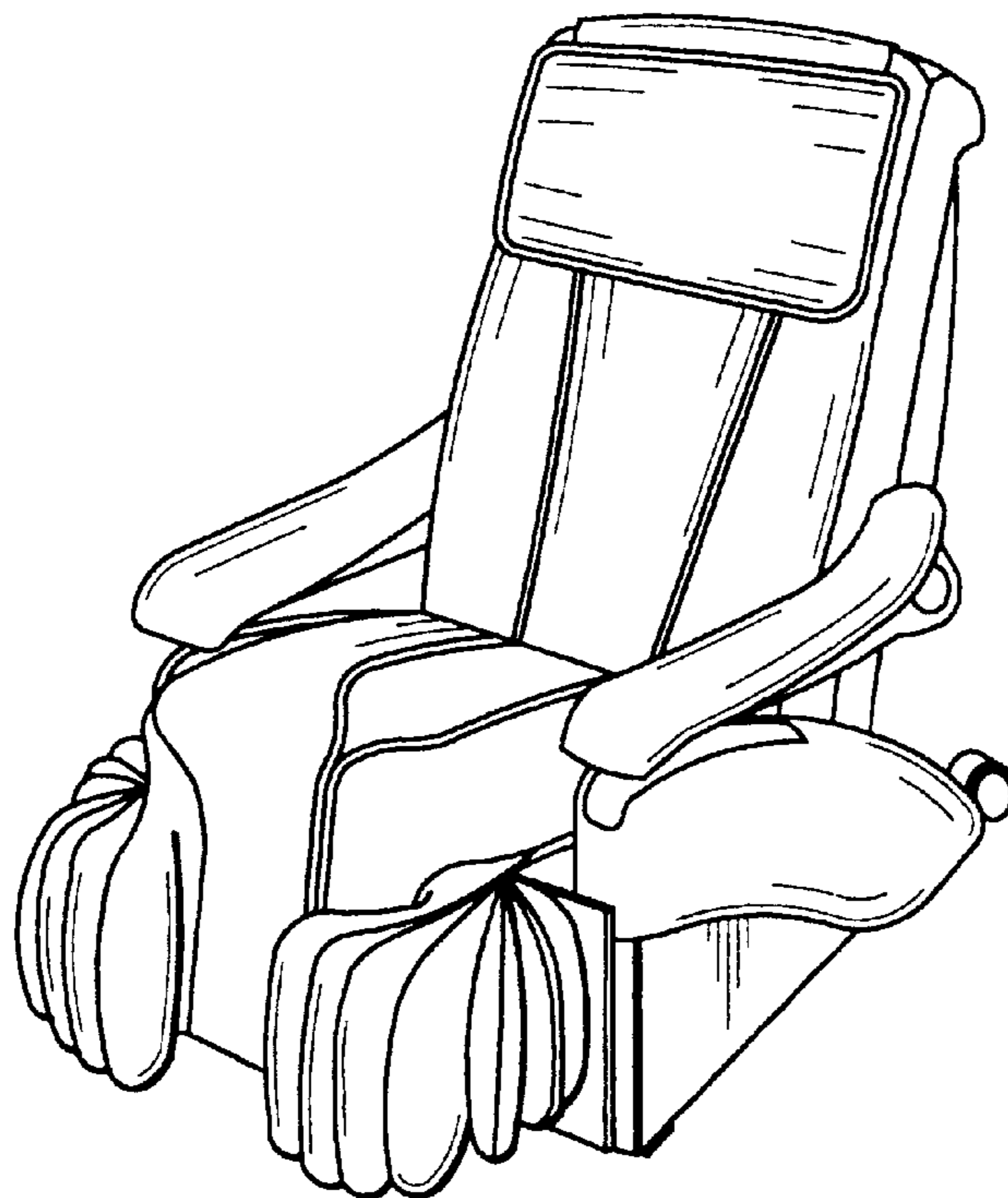


FIG. 12

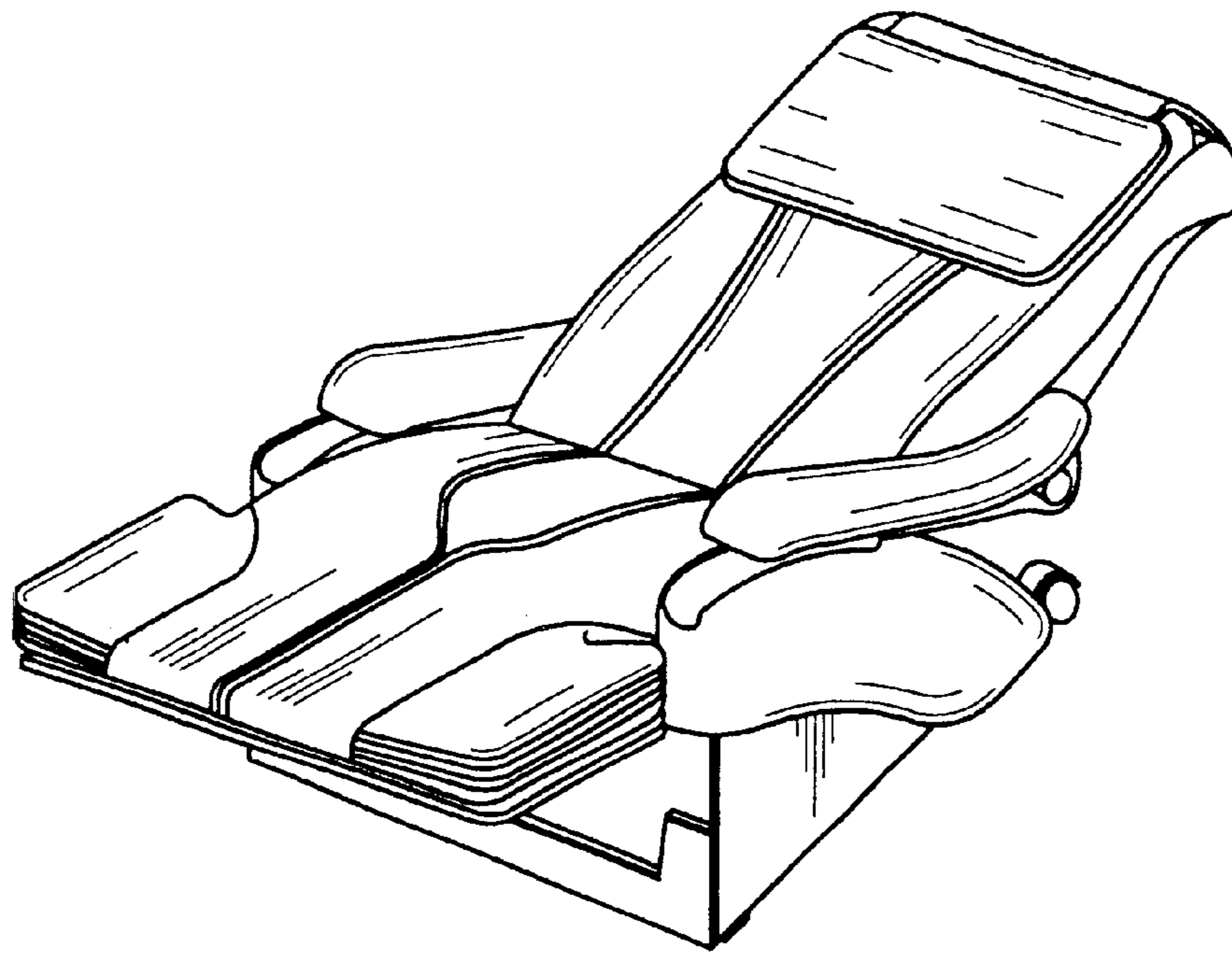


FIG. 13

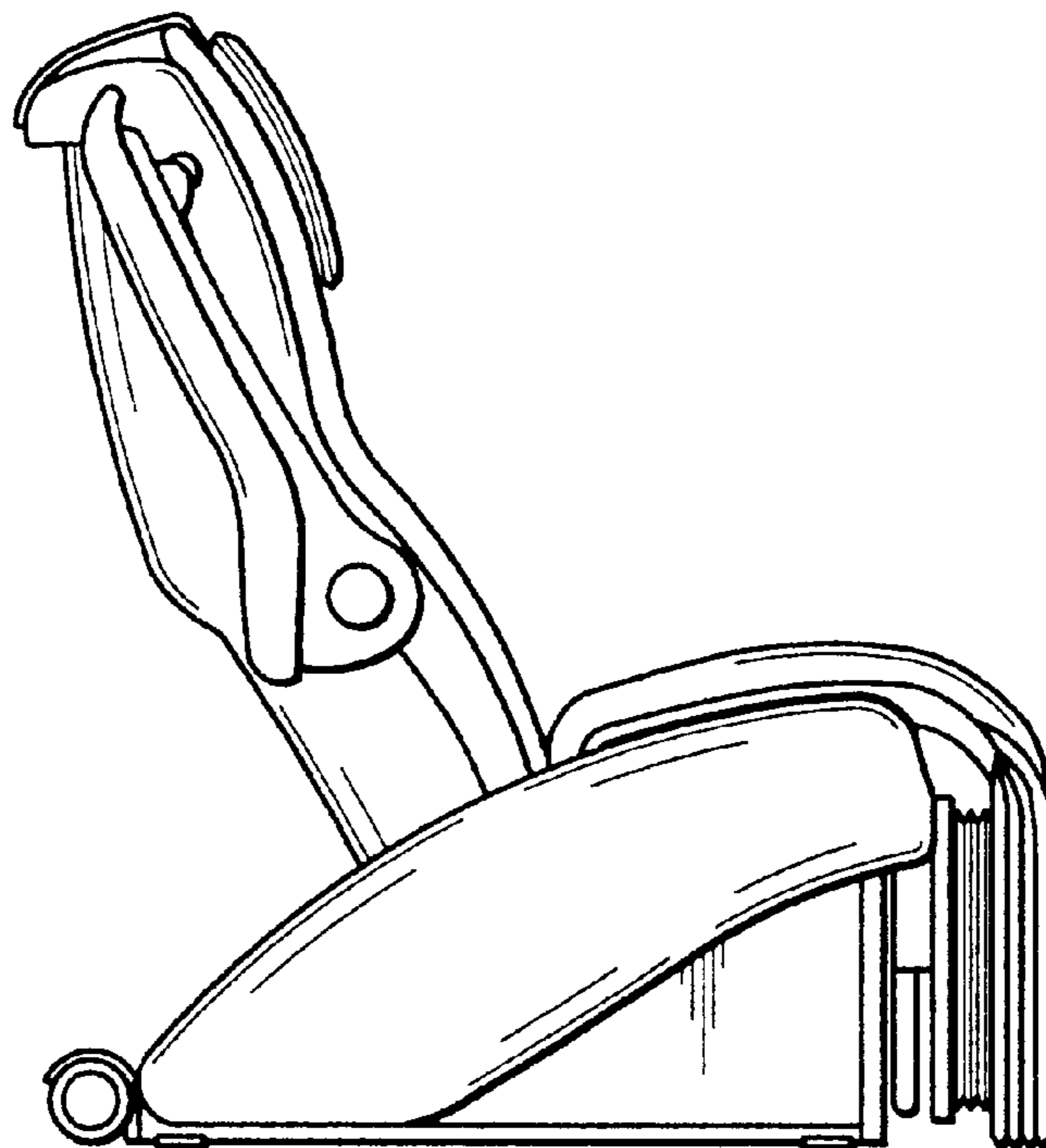


FIG. 14