



US00D517335S

(12) **United States Design Patent**
Kinoshita et al.

(10) **Patent No.:** **US D517,335 S**
(45) **Date of Patent:** **** Mar. 21, 2006**

(54) **CHAIR**

(75) Inventors: **Yojiro Kinoshita**, Osaka (JP); **Kenji Teshima**, Osaka (JP); **Fritz Frenkler**, Frankfurt am Main (DE)

(73) Assignee: **Kokuyo Co., Ltd.** (JP)

(**) Term: **14 Years**

(21) Appl. No.: **29/204,464**

(22) Filed: **Apr. 30, 2004**

(30) **Foreign Application Priority Data**

Nov. 12, 2003 (JP) D2003-033650

(51) **LOC (8) Cl.** **06-01**

(52) **U.S. Cl.** **D6/366**

(58) **Field of Classification Search** D6/334,
D6/335, 364, 365, 366, 367, 500-502; 297/411.2,
297/411.27, 452.29

See application file for complete search history.

(56) **References Cited**

U.S. PATENT DOCUMENTS

- D362,973 S * 10/1995 Schultz D6/366
- D390,712 S * 2/1998 Koepke et al. D6/366
- D405,618 S * 2/1999 Reutepohler et al. D6/366
- D417,793 S * 12/1999 Ritch et al. D6/366
- D418,685 S * 1/2000 Kaczmarek D6/366

- D423,261 S * 4/2000 Ritch et al. D6/500
- D436,768 S * 1/2001 Jenkins et al. D6/500
- D437,703 S * 2/2001 Deacon D6/366
- D449,174 S * 10/2001 Neil D6/366
- D453,079 S * 1/2002 Ma D6/366
- D462,188 S * 9/2002 Su D6/366
- D474,630 S * 5/2003 Piretti D6/500
- D481,230 S * 10/2003 Piretti et al. D6/500

* cited by examiner

Primary Examiner—Mimosa De

(74) *Attorney, Agent, or Firm*—Banner & Witcoff, Ltd.

(57) **CLAIM**

The ornamental design for a chair, as shown and described.

DESCRIPTION

FIG. 1 is a front elevational view of a chair showing our new design;

FIG. 2 is a rear elevational view;

FIG. 3 is a top plan view thereof;

FIG. 4 is a bottom plan view thereof;

FIG. 5 is a right side elevational view thereof;

FIG. 6 is a left side elevational view thereof;

FIG. 7 is a perspective view thereof with the armrests in a first use position;

FIG. 8 is a rear perspective view thereof; and,

FIG. 9 is a perspective view thereof with the armrests in a second use position.

1 Claim, 9 Drawing Sheets



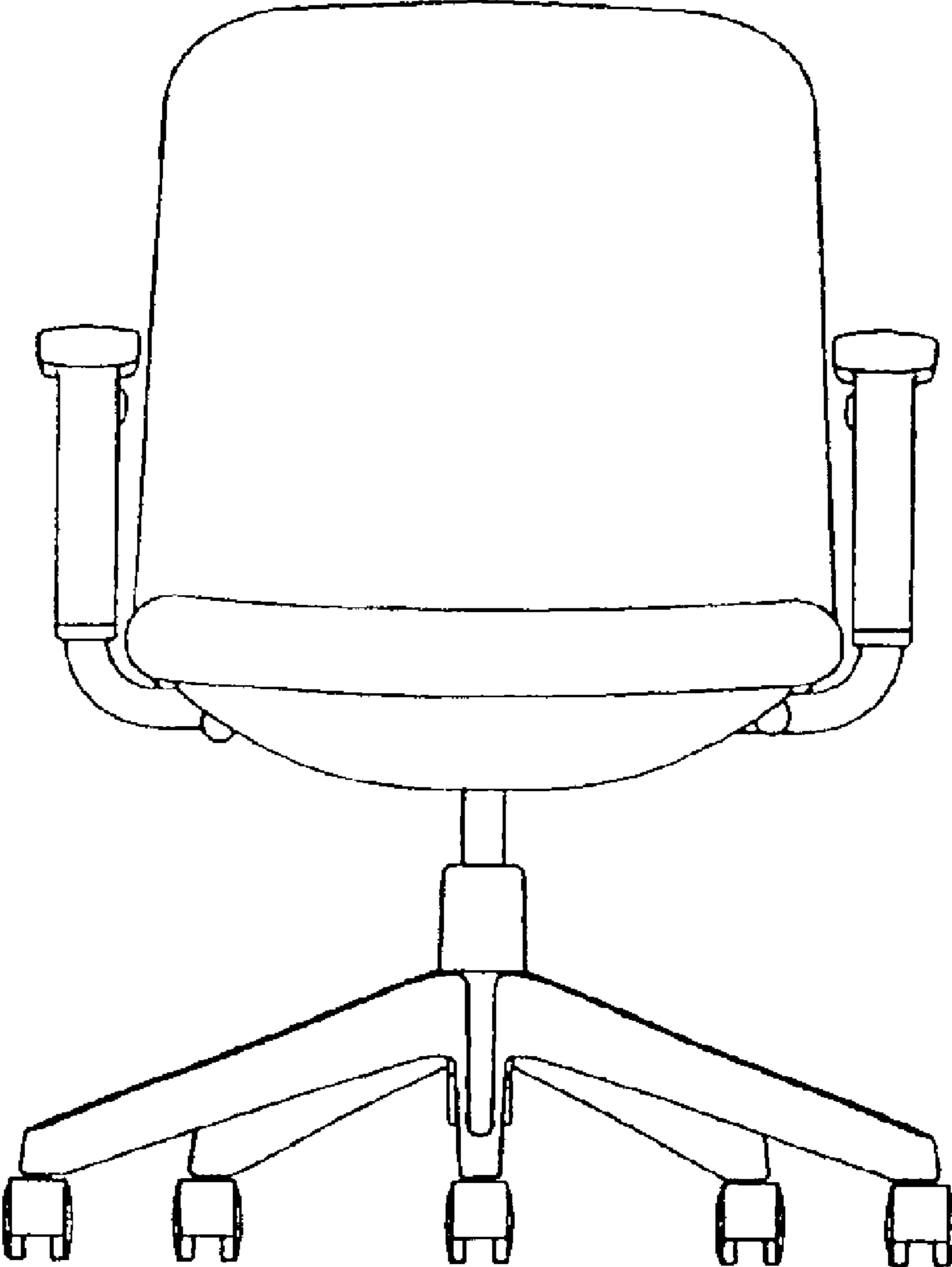


FIG. 1

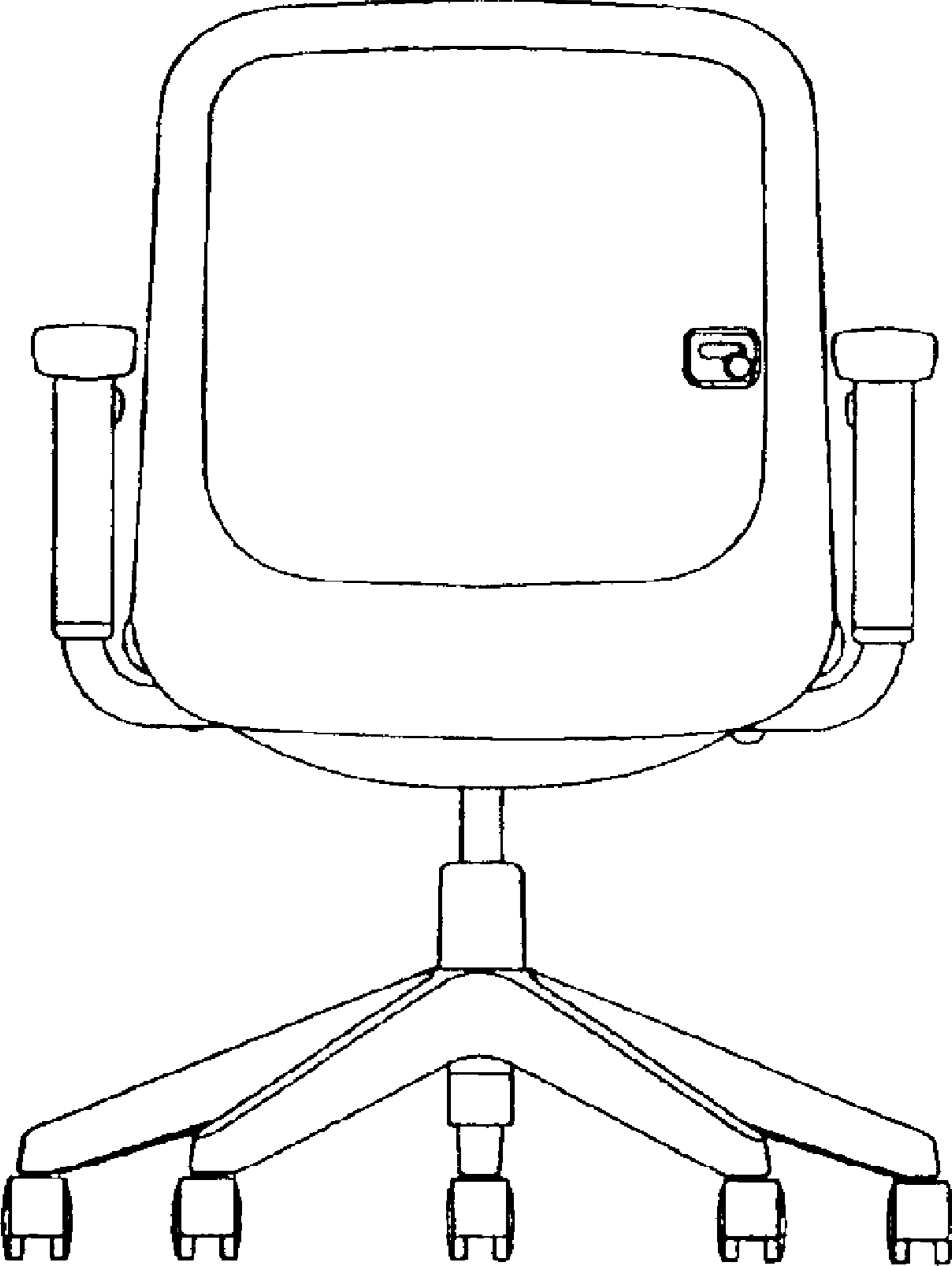


FIG. 2

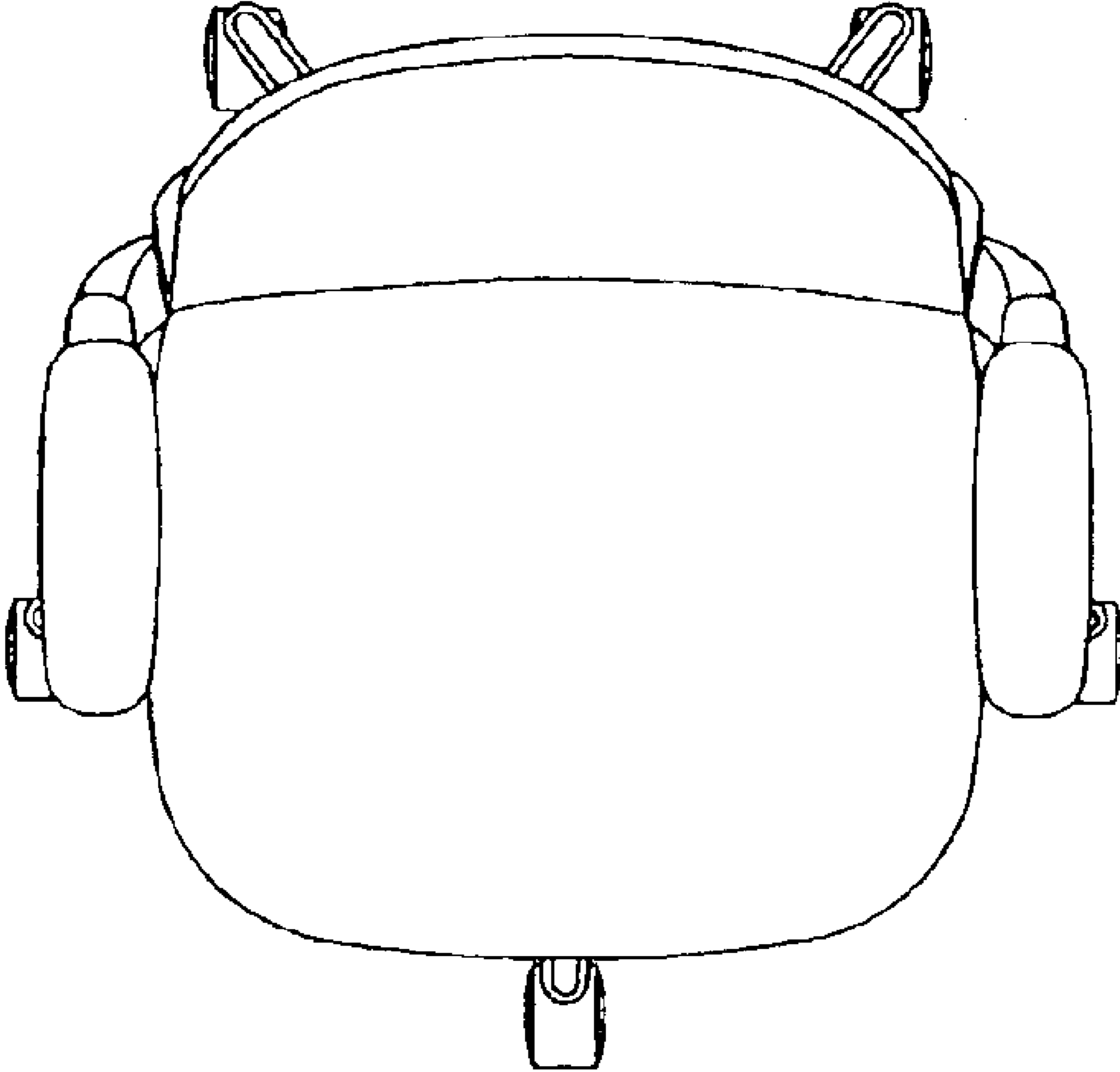


FIG. 3

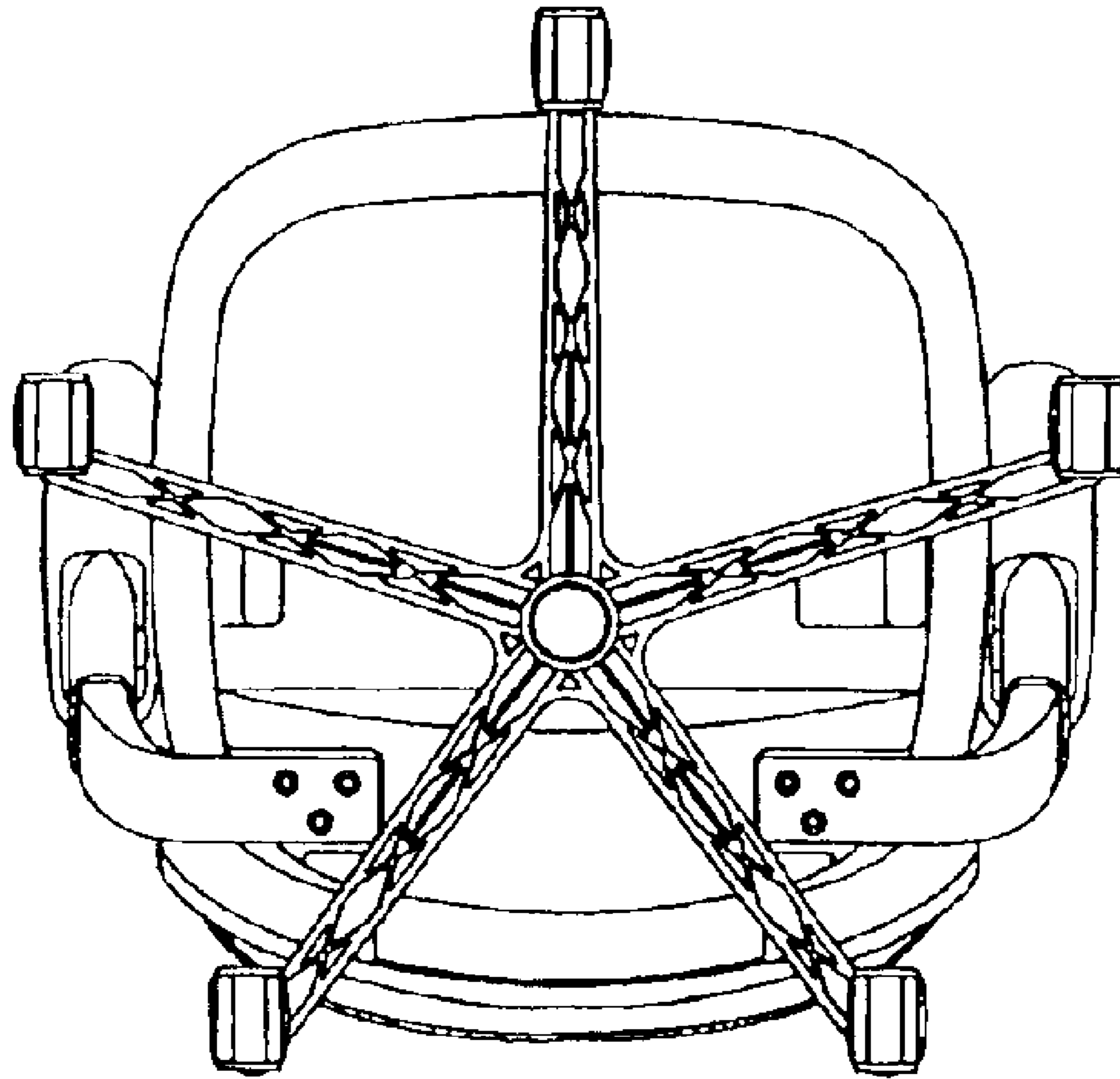


FIG. 4

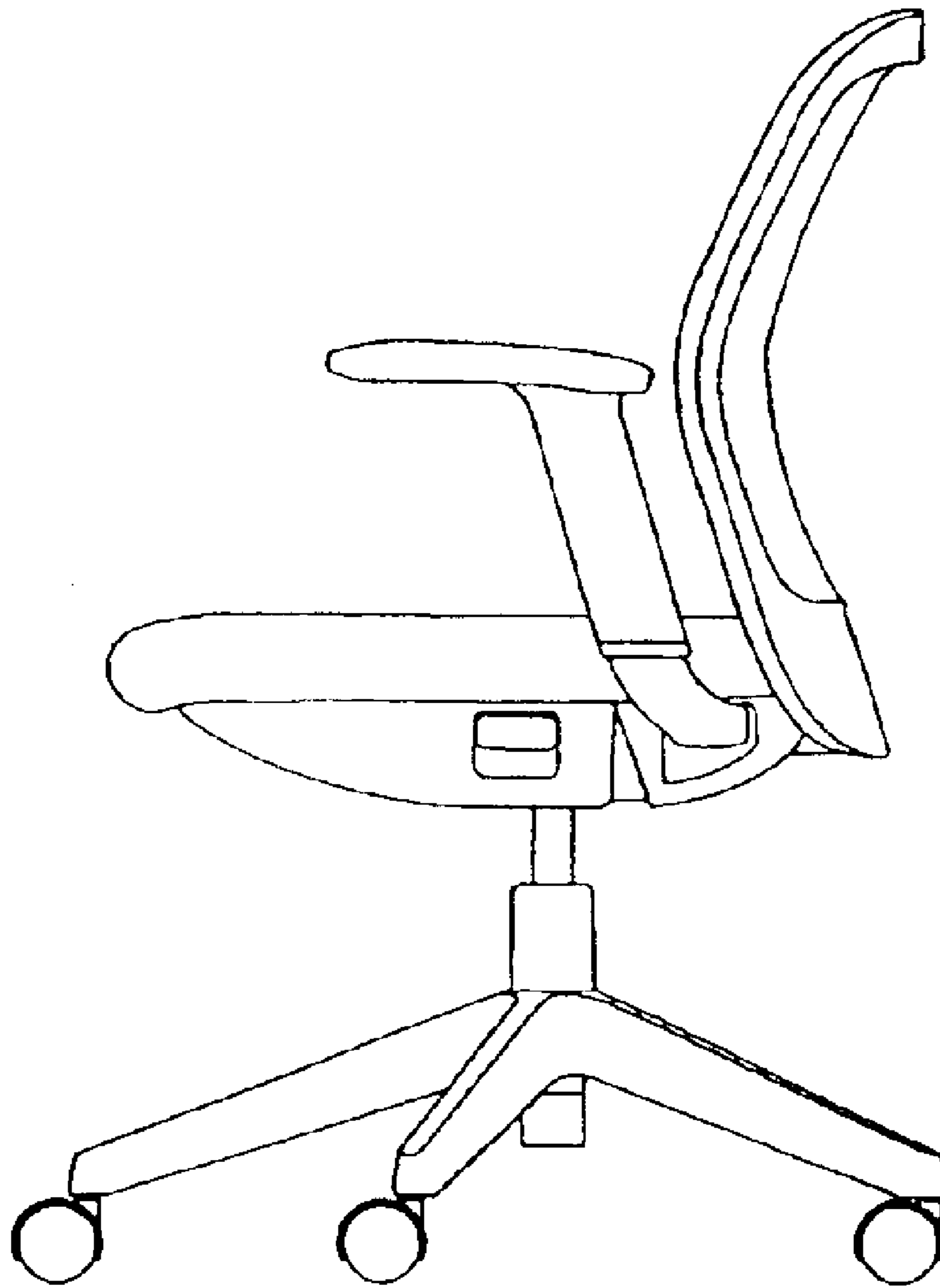


FIG. 5

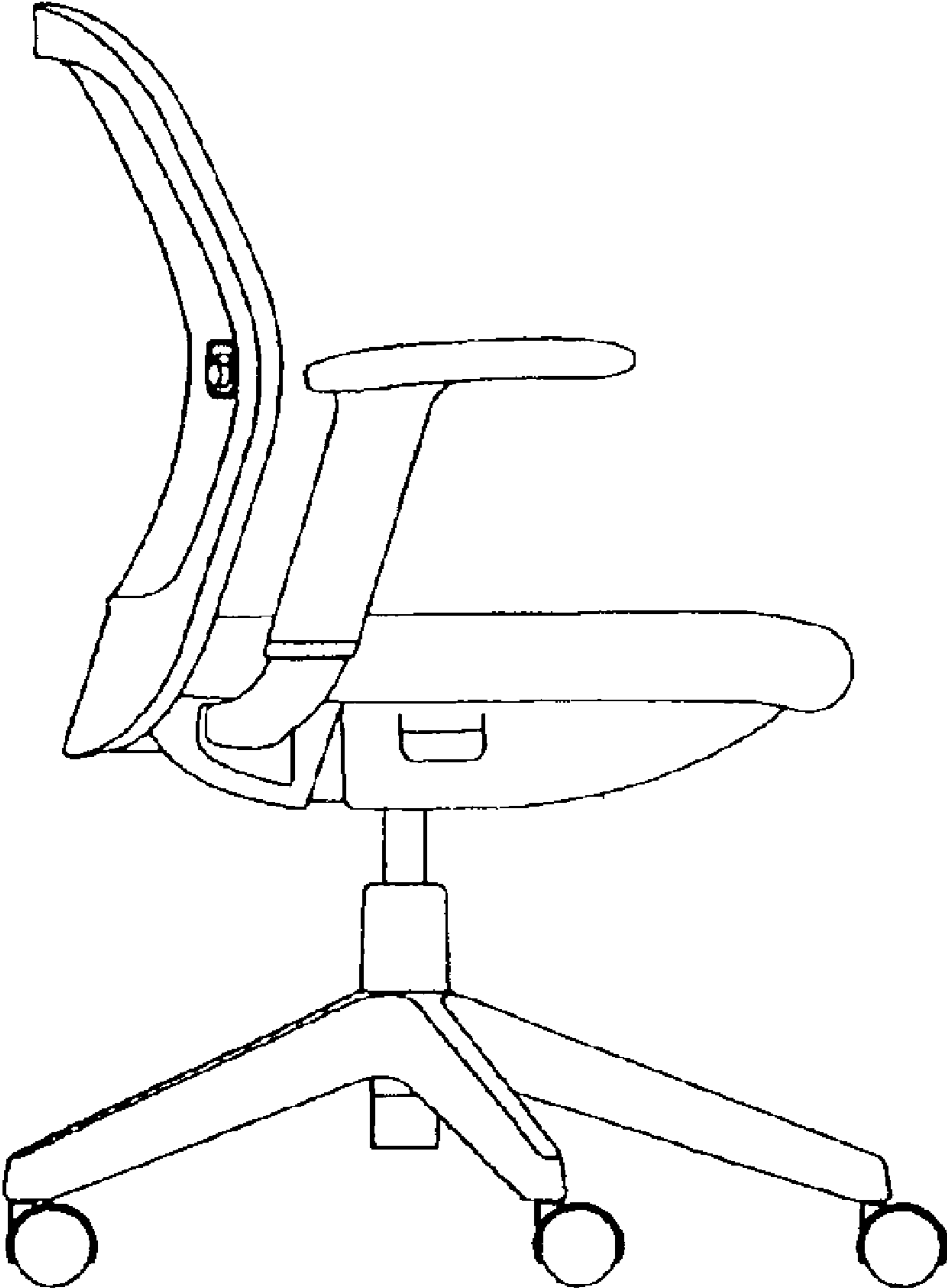


FIG. 6



FIG. 7

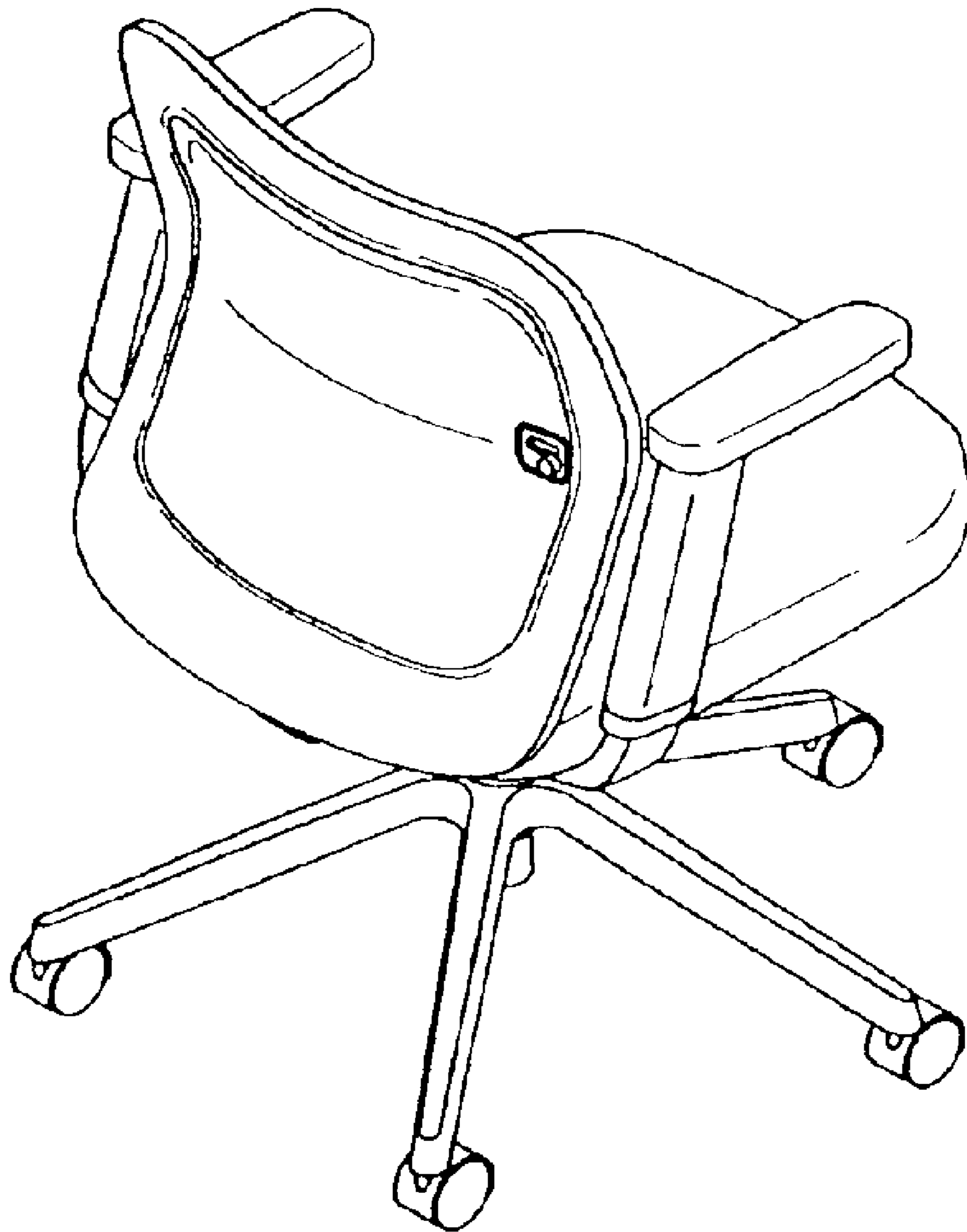


FIG. 8



FIG. 9