



US00D517330S

(12) **United States Design Patent**
Cetera

(10) **Patent No.:** **US D517,330 S**
(45) **Date of Patent:** **** Mar. 21, 2006**

- (54) **PEN**
- (75) **Inventor:** **Carl Cetera**, Tenafly, NJ (US)
- (73) **Assignee:** **Cofapaxi, Inc**, Carlsdadt, NJ (US)
- (**) **Term:** **14 Years**
- (21) **Appl. No.:** **29/224,713**
- (22) **Filed:** **Mar. 4, 2005**
- (51) **LOC (8) Cl.** **06-07**
- (52) **U.S. Cl.** **D6/302**
- (58) **Field of Classification Search** D6/472,
D6/300-314, 478; 40/200, 455, 700, 711,
40/714, 717, 720, 721, 725, 727, 738, 745,
40/761, 765, 766, 778, 780, 781, 786, 798,
40/800; D8/350-353

See application file for complete search history.

(56) **References Cited**

U.S. PATENT DOCUMENTS

- 4,779,368 A * 10/1988 Thede 40/737
- D393,636 S * 4/1998 Jones et al. D14/450
- D406,047 S * 2/1999 Scherer et al. D8/353
- D417,890 S * 12/1999 Joe et al. D19/26
- D430,478 S * 9/2000 De brey et al. D8/353
- D431,142 S * 9/2000 Trees D6/571

- D462,253 S * 9/2002 Caveney et al. D8/353
- D471,366 S * 3/2003 Park D6/310
- D479,742 S * 9/2003 Hollingsworth D23/366
- D489,907 S * 5/2004 Morgan D6/303

OTHER PUBLICATIONS

Bloomington's Catatlog, p. 22, #D.*
Exposures, Holiday 1994, p 34, #D.*

* cited by examiner

Primary Examiner—Janice E. Seeger
Assistant Examiner—Sydney R. Buffalow
(74) *Attorney, Agent, or Firm*—Brian M. Carpenter

(57) **CLAIM**

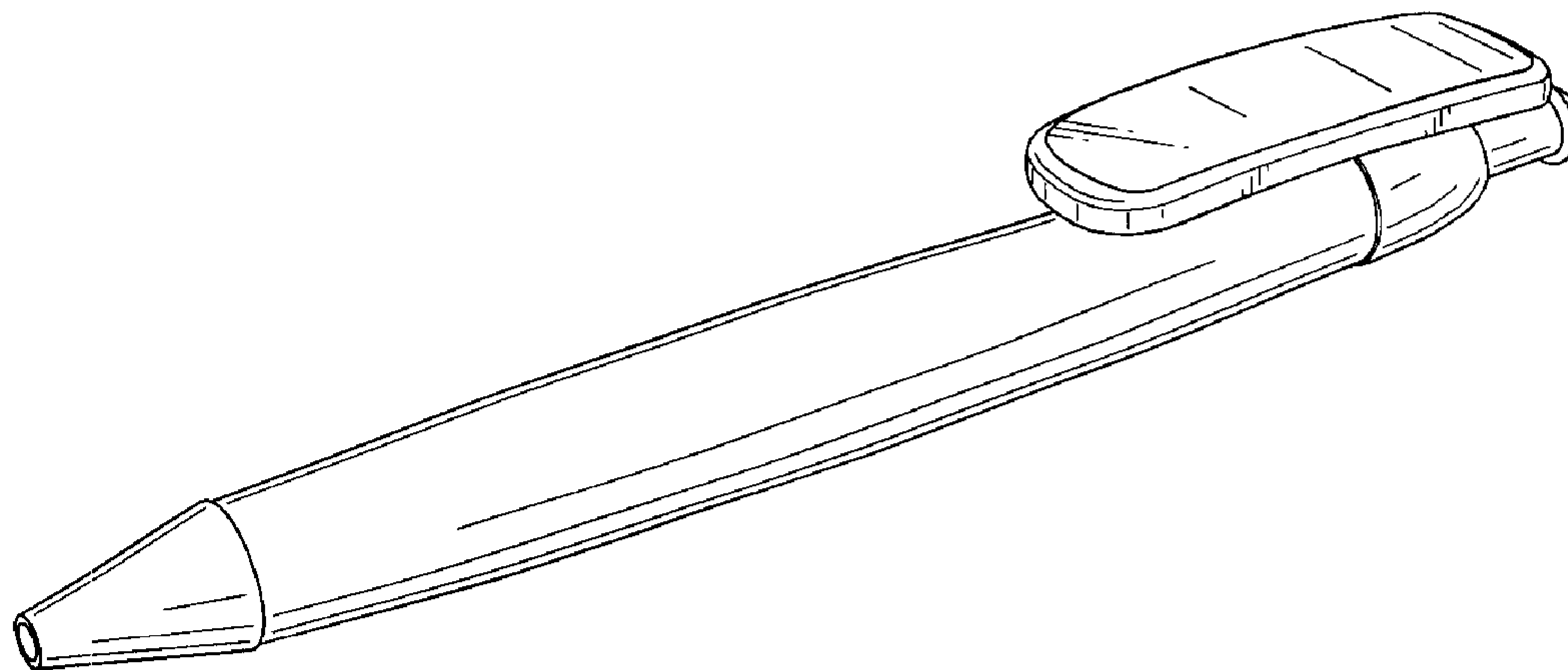
The ornamental design for a pen, as shown and described.

DESCRIPTION

FIG. 1 is a top front perspective view of the pen;
FIG. 2 is a front elevation view of the pen of FIG. 1;
FIG. 3 is a side elevation view of the pen of FIG. 1;
FIG. 4 is a back side elevation view of the pen of FIG. 1;
FIG. 5 is a bottom plan view of the pen of FIG. 1; and,
FIG. 6 is a top plan view of the pen of FIG. 1.

The broken lines are for illustrative purposes only and form no part of the claimed design.

1 Claim, 2 Drawing Sheets



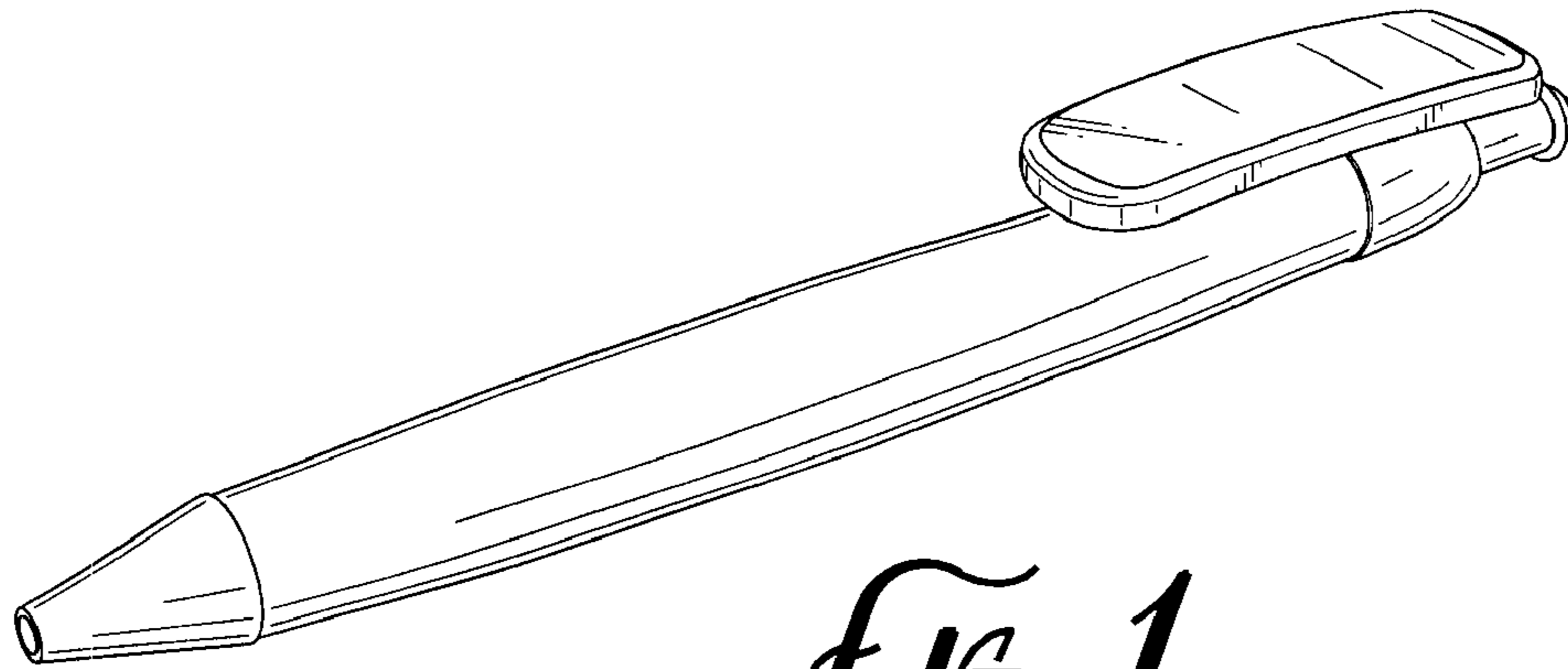


FIG. 1

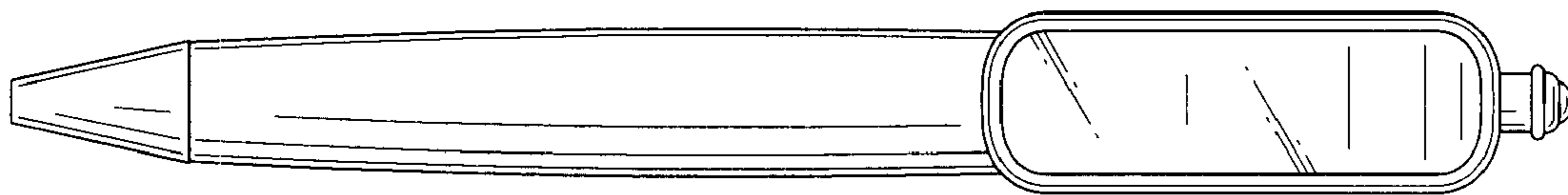


FIG. 2

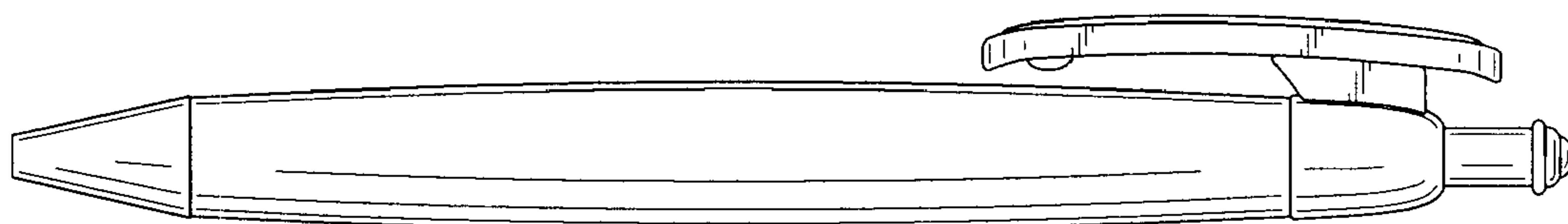


FIG. 3

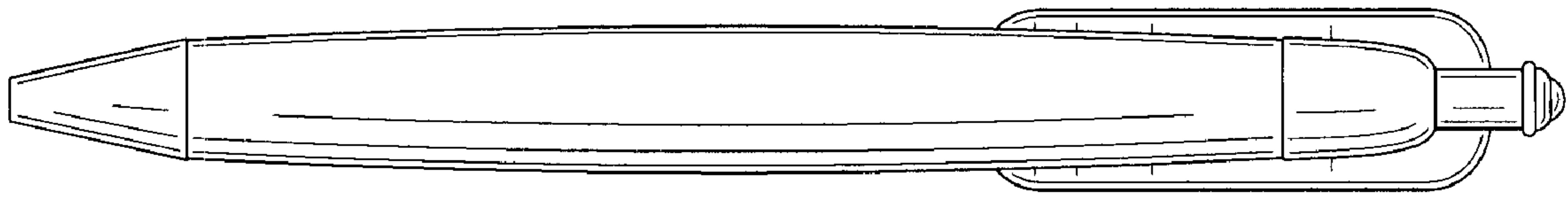


FIG. 4

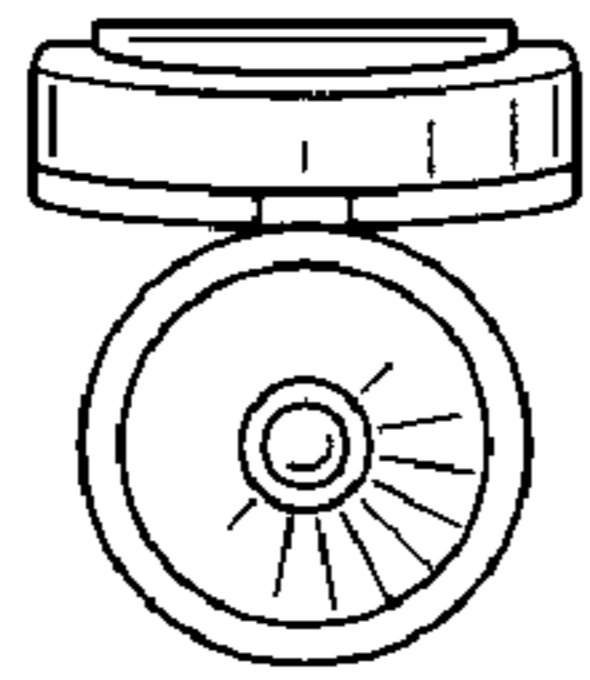


FIG. 5

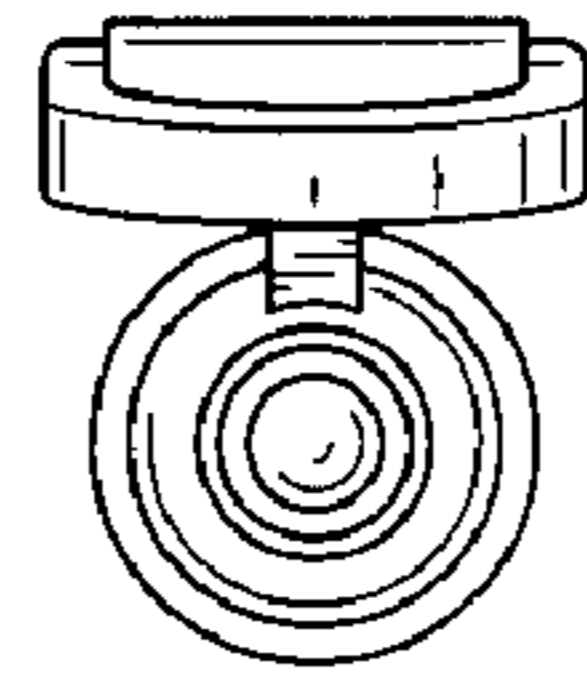


FIG. 6

UNITED STATES PATENT AND TRADEMARK OFFICE
CERTIFICATE OF CORRECTION

PATENT NO. : Des. 517,330 S
APPLICATION NO. : 29/224713
DATED : March 21, 2006
INVENTOR(S) : Cari Cetera

Page 1 of 1

It is certified that error appears in the above-identified patent and that said Letters Patent is hereby corrected as shown below:

On The Title Page; item (73) Assignee should read --COTAPAXI, INC.--.

Signed and Sealed this

Twelfth Day of September, 2006

A handwritten signature in black ink on a light gray dotted background. The signature reads "Jon W. Dudas" in a cursive style.

JON W. DUDAS

Director of the United States Patent and Trademark Office

UNITED STATES PATENT AND TRADEMARK OFFICE
CERTIFICATE OF CORRECTION

PATENT NO. : Des. 517,330 S
APPLICATION NO. : 29/224713
DATED : March 21, 2006
INVENTOR(S) : Carl Cetera

Page 1 of 1

It is certified that error appears in the above-identified patent and that said Letters Patent is hereby corrected as shown below:

On The Title Page; item (73) Assignee should read --COTAPAXI, INC.--.

This certificate supersedes Certificate of Correction issued September 12, 2006.

Signed and Sealed this

Second Day of January, 2007

A handwritten signature in black ink on a light gray dotted background. The signature reads "Jon W. Dudas" in a cursive style.

JON W. DUDAS

Director of the United States Patent and Trademark Office