



US00D517328S

(12) **United States Design Patent**
Thrall

(10) **Patent No.:** **US D517,328 S**
(45) **Date of Patent:** **** Mar. 21, 2006**

(54) **ART BOARD STAND**

(76) Inventor: **Eric Hazelton Thrall**, 3615 W. 19th Ave., Suit 12, Vancouver, BC (CA), V6S 1C5

(**) Term: **14 Years**

(21) Appl. No.: **29/202,659**

(22) Filed: **Apr. 5, 2004**

(51) **LOC (8) Cl.** **06-07**

(52) **U.S. Cl.** **D6/300**

(58) **Field of Classification Search** D6/300-314;
40/200, 455, 700, 711, 714, 717, 720, 721,
40/725, 727, 738, 745, 761, 765, 766, 778,
40/780, 781, 786, 798; D14/315; 206/425;
D19/91; 248/441.1

See application file for complete search history.

(56) **References Cited**

U.S. PATENT DOCUMENTS

3,153,400	A	*	10/1964	Mendels	40/352
3,381,928	A	*	5/1968	White	248/455
4,423,563	A	*	1/1984	Ondricek	40/533
5,213,229	A	*	5/1993	Taniyama	220/4.23
D354,520	S	*	1/1995	Pong	D19/88
D383,491	S	*	9/1997	Chang	D19/20
D416,284	S	*	11/1999	O'Malley	D19/20
D440,787	S	*	4/2001	Prindle	D6/419
6,527,117	B1	*	3/2003	Adkins et al.	206/449
2003/0177683	A1	*	9/2003	Adkins et al.	40/711

* cited by examiner

Primary Examiner—Janice E. Seeger

Assistant Examiner—Sydney Buffalow

(74) *Attorney, Agent, or Firm*—Cameron Lawrence Kyle; Nexus Law Group LLP

(57) **CLAIM**

The ornamental design for an art board stand, as shown and described.

DESCRIPTION

FIG. 1 is a right side perspective view of the art board stand in an open position;

FIG. 2 is a front view of the art board stand in an open position;

FIG. 3 is a rear view of the art board stand in an open position;

FIG. 4 is a right side view of the art board stand in an open position, the left side view is a mirror image of the right side view;

FIG. 5 is a bottom view of the art board stand in an open position;

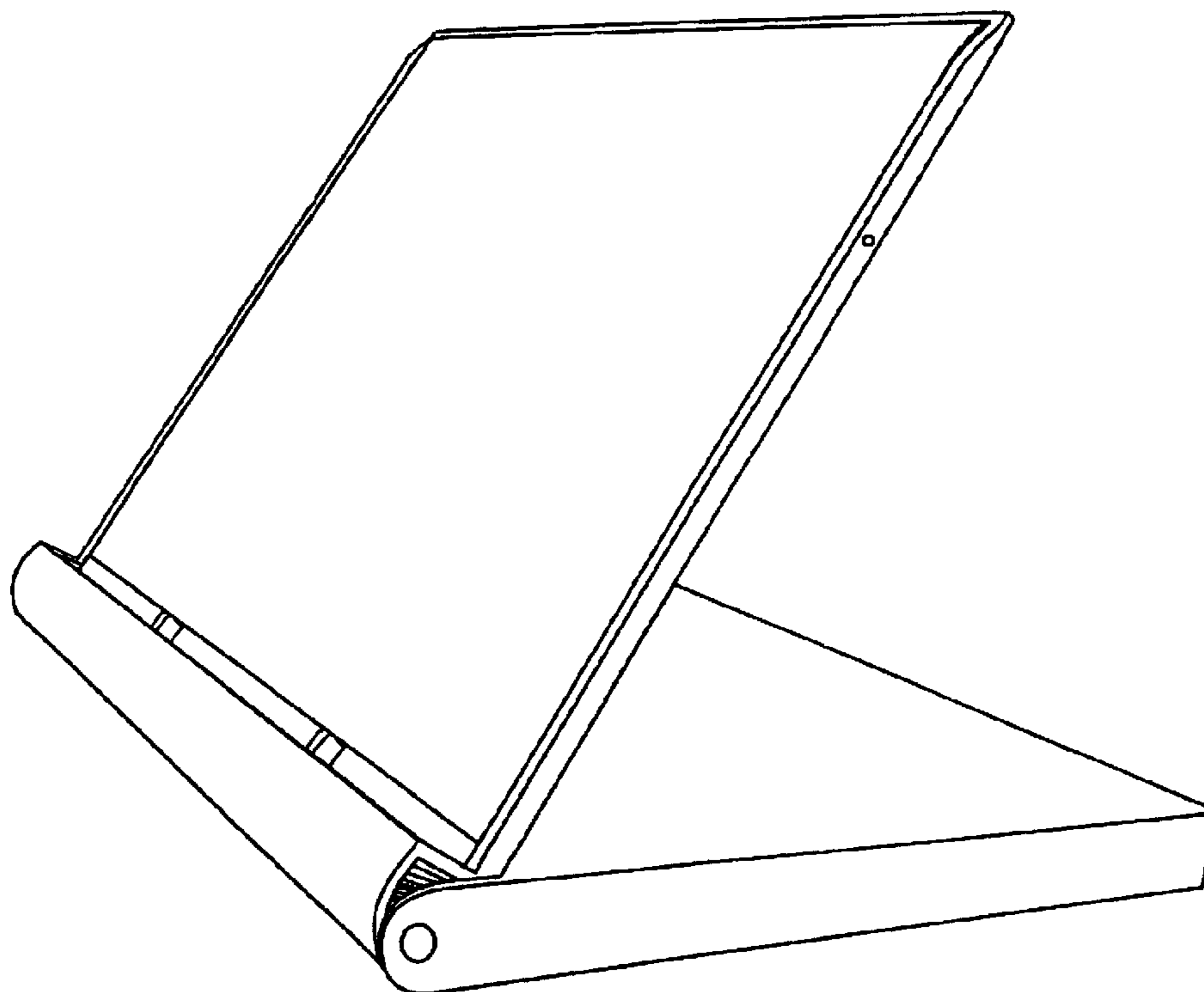
FIG. 6 is a top view of the art board stand in an open position;

FIG. 7 is a front view of the art board stand in a closed position;

FIG. 8 is a rear view of the art board stand in a closed position; and,

FIG. 9 is a cross-sectional view of the art board stand taken along line 9—9 in FIG. 2.

1 Claim, 8 Drawing Sheets



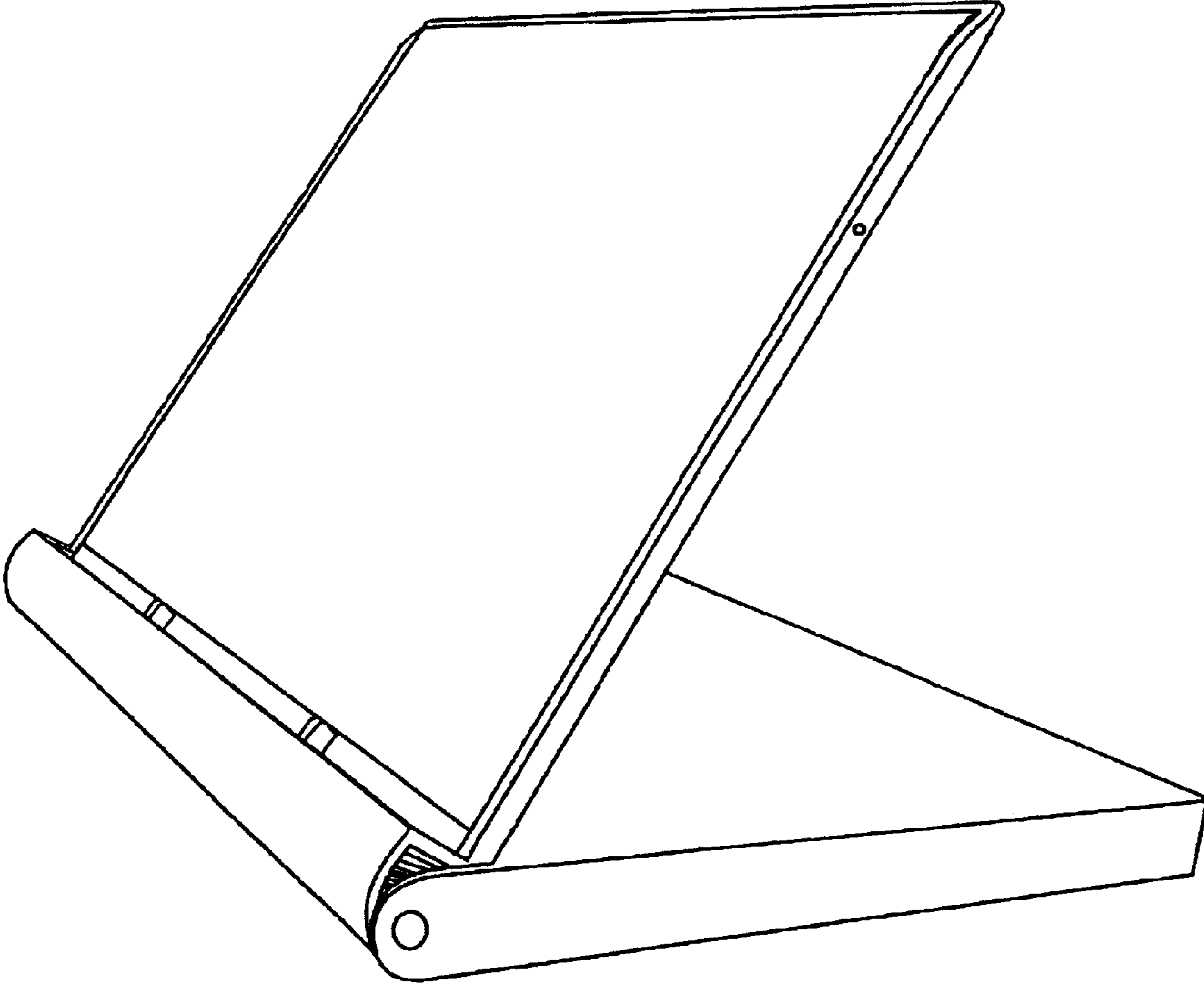


Figure 1

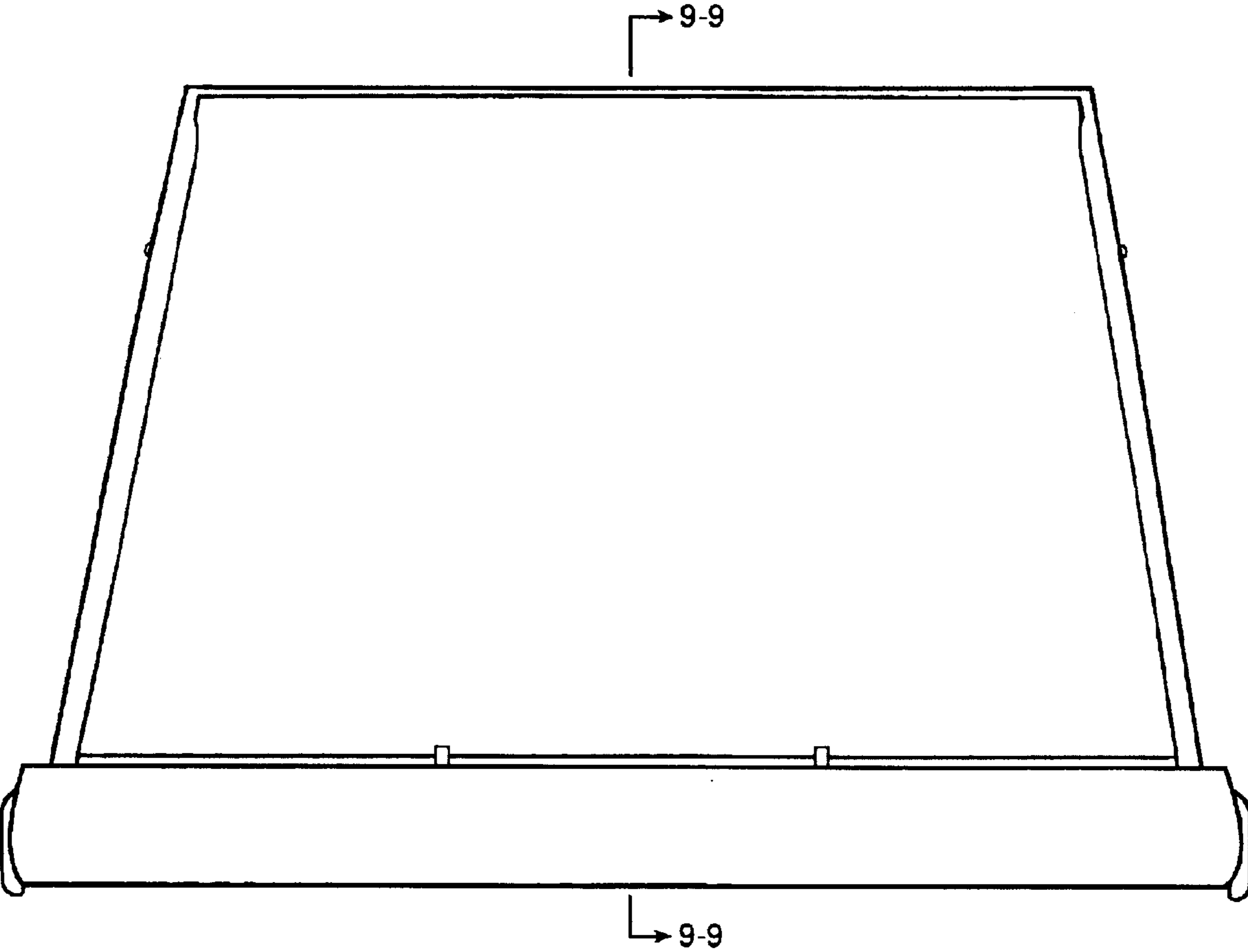


Figure 2

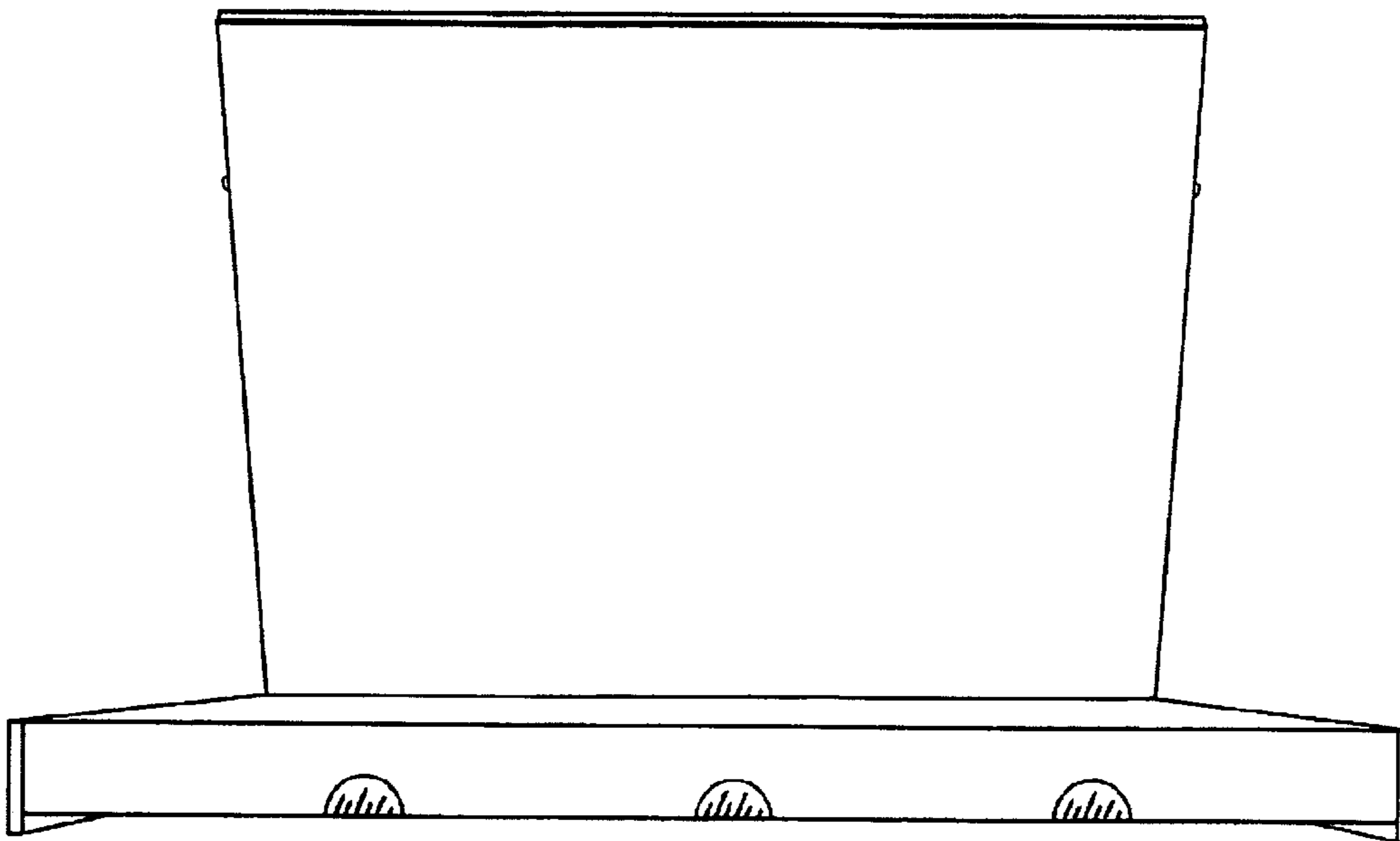


Figure 3

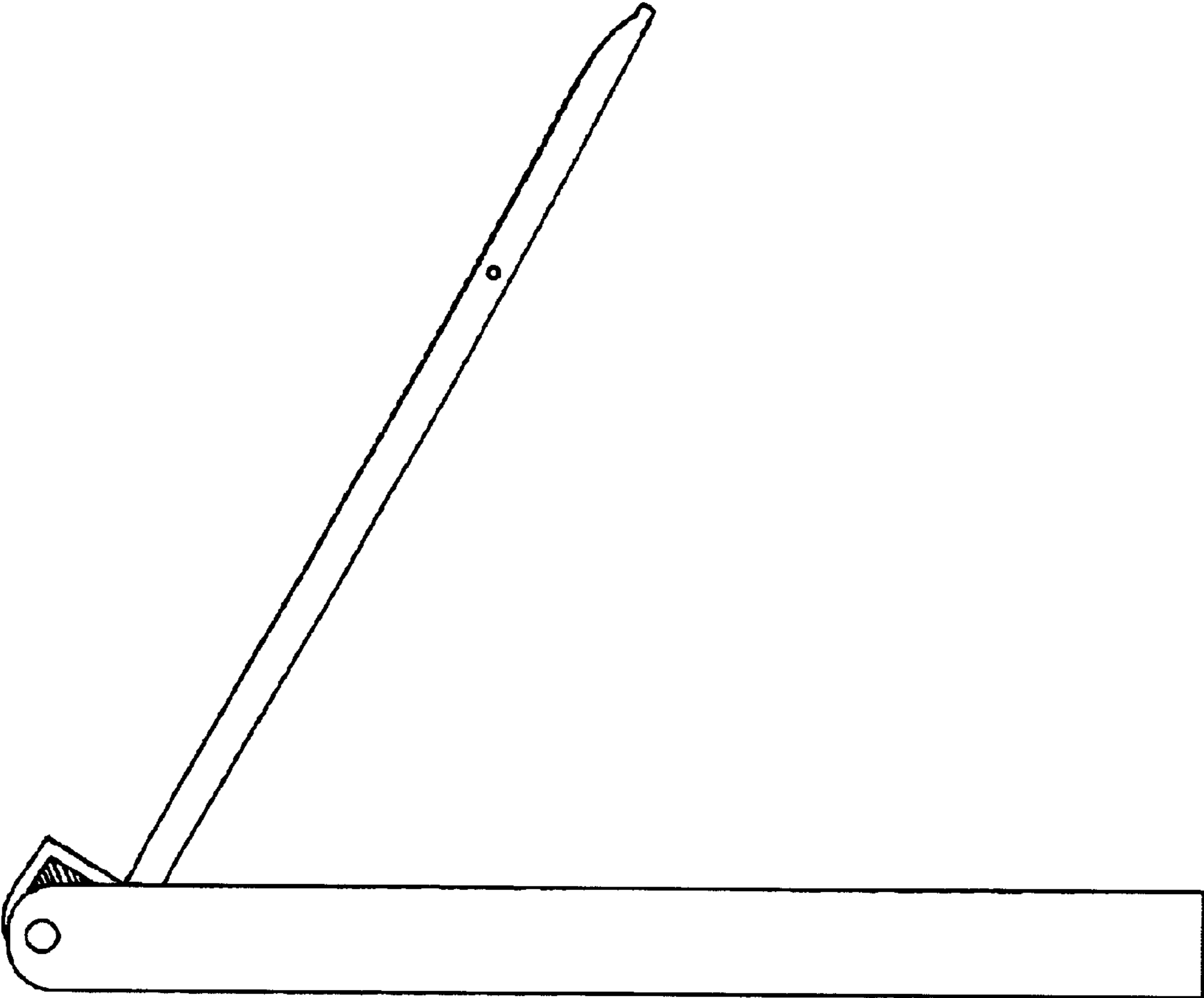


Figure 4

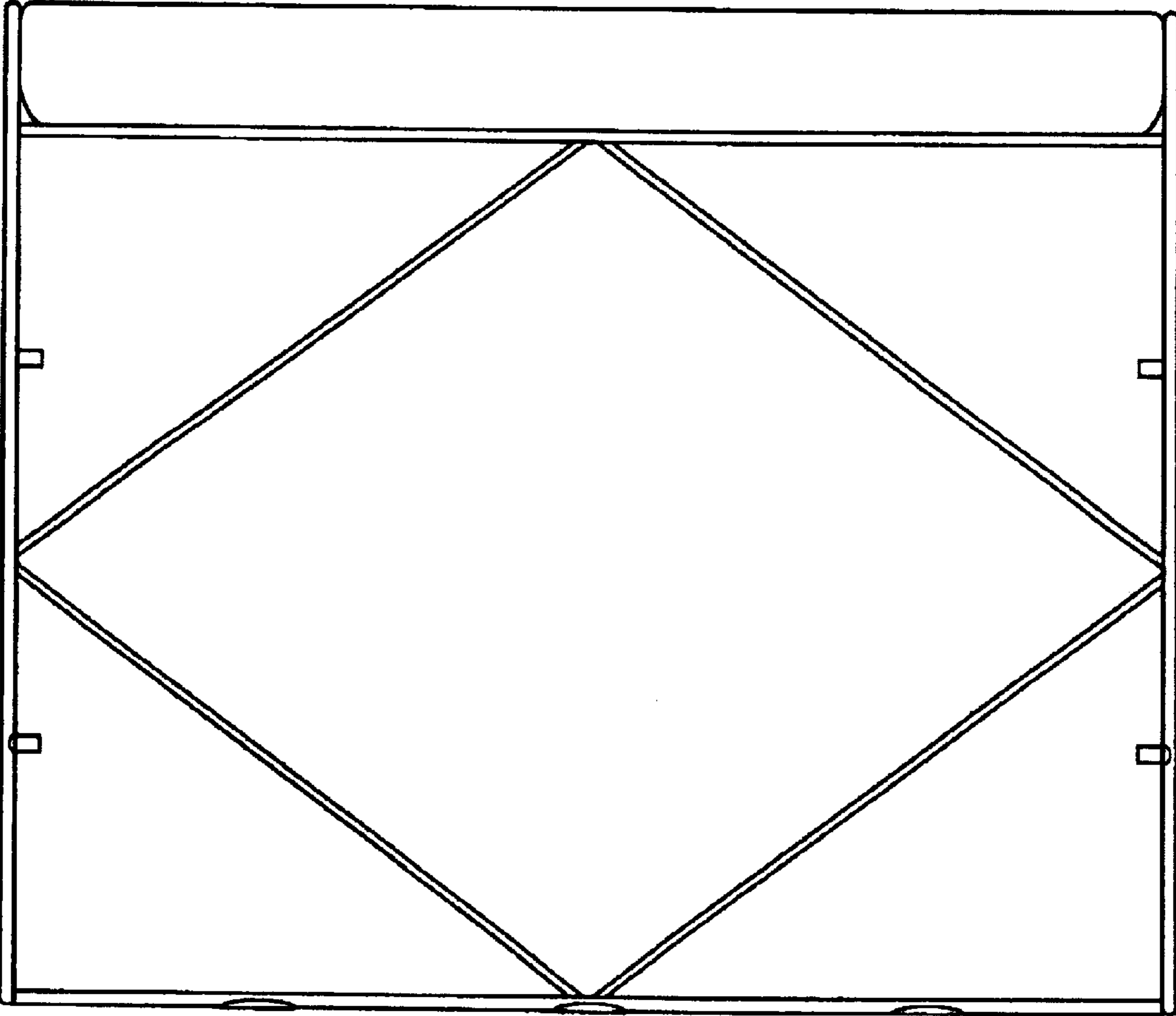


Figure 5

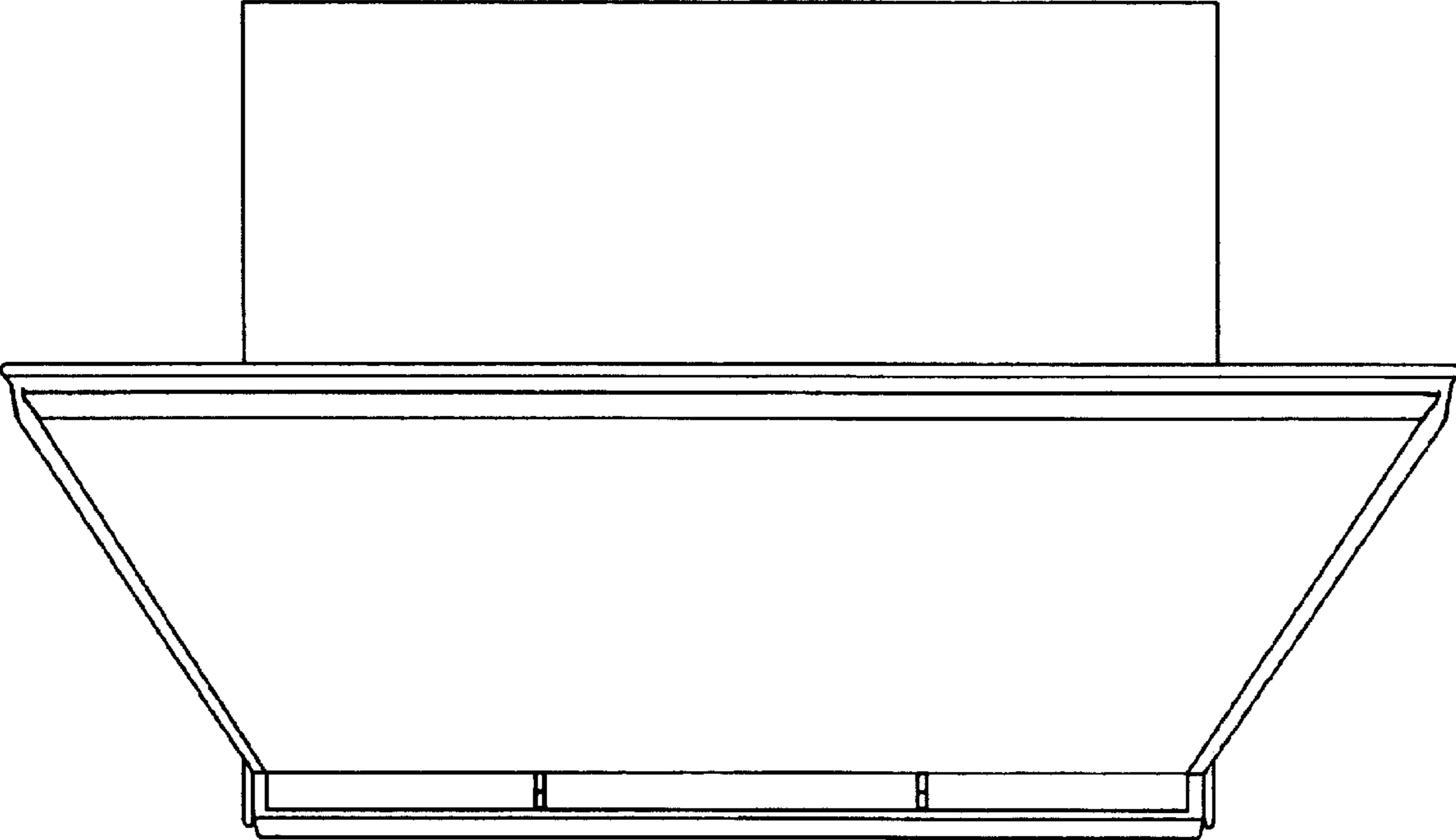


Figure 6



Figure 7



Figure 8

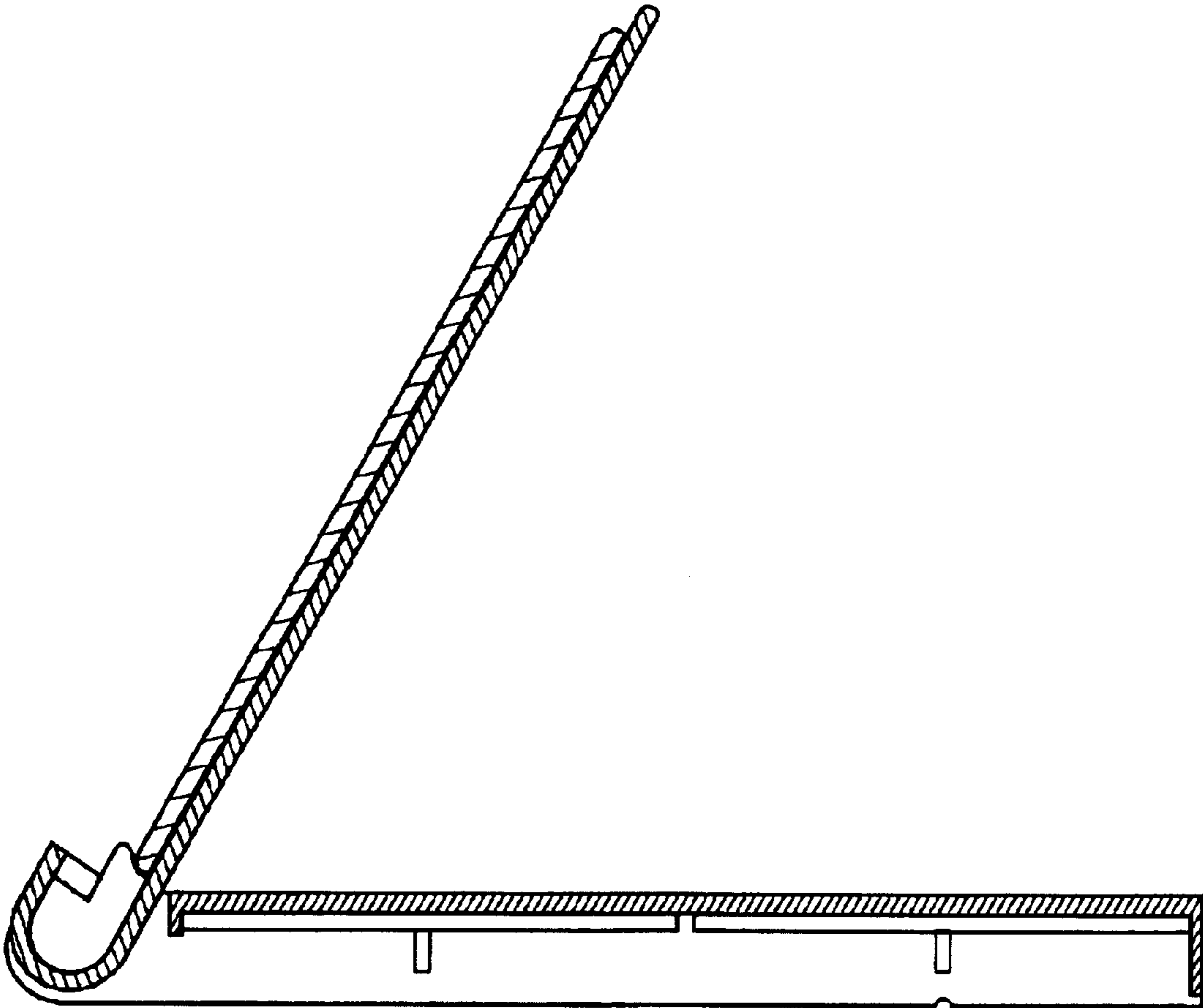


Figure 9