



US00D517327S

(12) **United States Design Patent** (10) **Patent No.:** **US D517,327 S**
Robinson (45) **Date of Patent:** **** Mar. 21, 2006**

(54) **NAIL PULLER FOR BROOMS**

(76) Inventor: **Joseph M. Robinson**, 1595 Scott St.,
Clearwater, FL (US) 33755

(**) Term: **14 Years**

(21) Appl. No.: **29/198,733**

(22) Filed: **Feb. 4, 2004**

(51) **LOC (8) Cl.** **04-99**

(52) **U.S. Cl.** **D4/199; D4/118; D8/45;**
D8/89; D32/46

(58) **Field of Classification Search** **D4/118,**
D4/199; D8/11, 16, 45, 89; D32/46, 49; 15/105,
15/111, 236.01, 236.02, 236.05, 236.06, 236.08,
15/236.09, 245.1; 81/45, 46; 254/18, 21,
254/23; 30/169, 171, 172

See application file for complete search history.

(56) **References Cited**

U.S. PATENT DOCUMENTS

320,112 A *	6/1885	Arnold	30/171
401,442 A *	4/1889	Lefébure	30/171
3,465,457 A *	9/1969	Stone	15/236.01 X
4,203,210 A *	5/1980	Hadlick, Jr.	30/172
4,785,489 A *	11/1988	Von Doehren	15/111
5,123,138 A *	6/1992	Flamm	15/111
5,870,794 A *	2/1999	Harpell	15/105

* cited by examiner

Primary Examiner—Alan P. Douglas
Assistant Examiner—Lavone D. Tabor

(74) *Attorney, Agent, or Firm*—Larson & Larson, PA;
Herbert W. Larson

(57) **CLAIM**

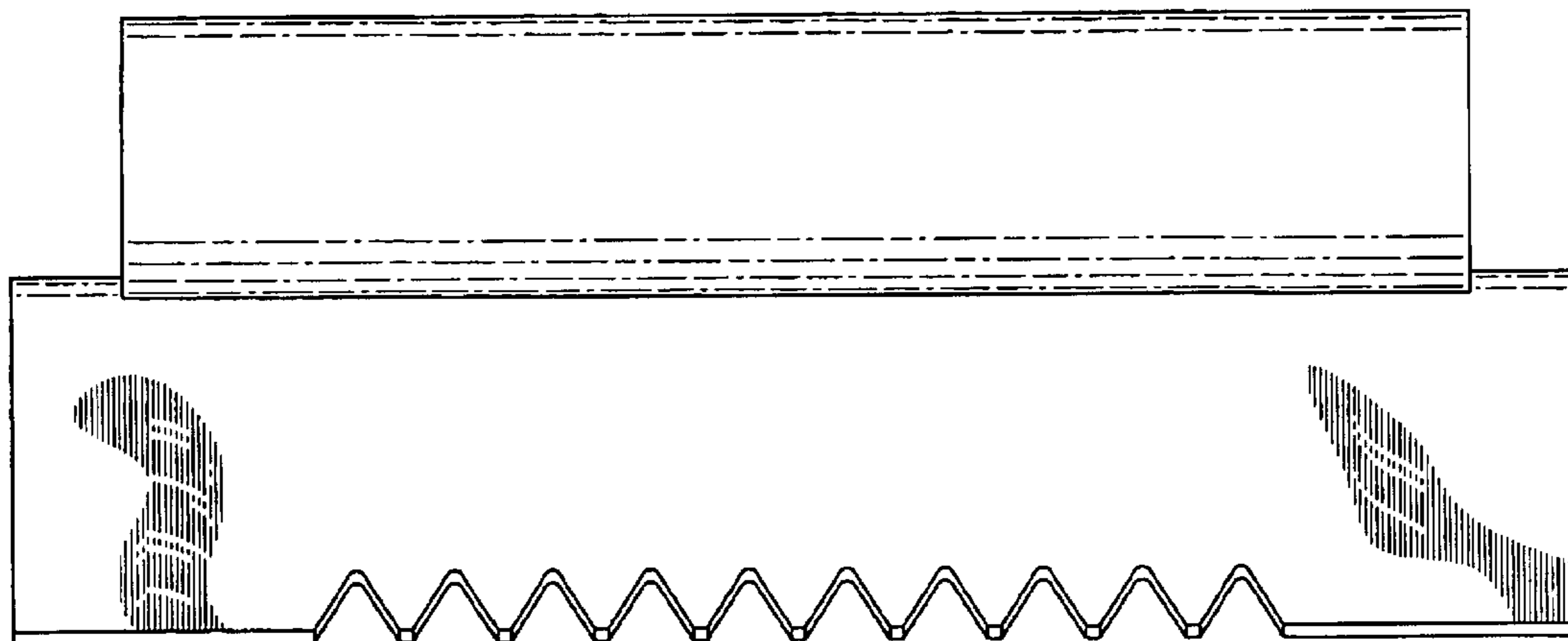
The ornamental design for a nail puller for brooms, as shown and described.

DESCRIPTION

FIG. 1 is a front elevational view of the nail puller for brooms showing my novel design;
FIG. 2 is a rear elevational view thereof;
FIG. 3 is a left side view thereof;
FIG. 4 is a right side view thereof;
FIG. 5 is a top plan view thereof;
FIG. 6 is a bottom plan view thereof;
FIG. 7 is a perspective view of the nail puller for brooms of the present invention; and,
FIG. 8 is a reduced perspective view of the nail puller for brooms of the present invention shown mounted on the top section of a broom head.

The broken lines shown in FIGS. 5–8 are for illustrative purposes only and form no part of the overall claimed design.

1 Claim, 5 Drawing Sheets



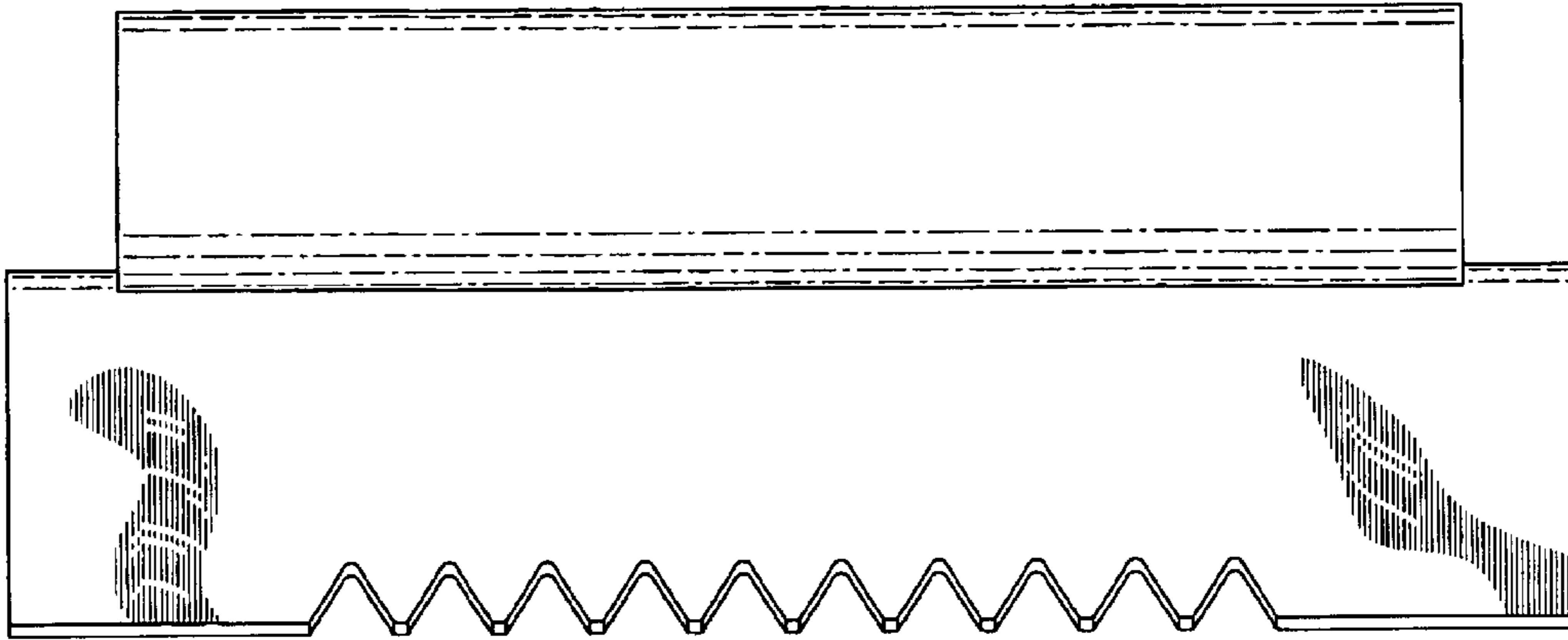


FIG. 1

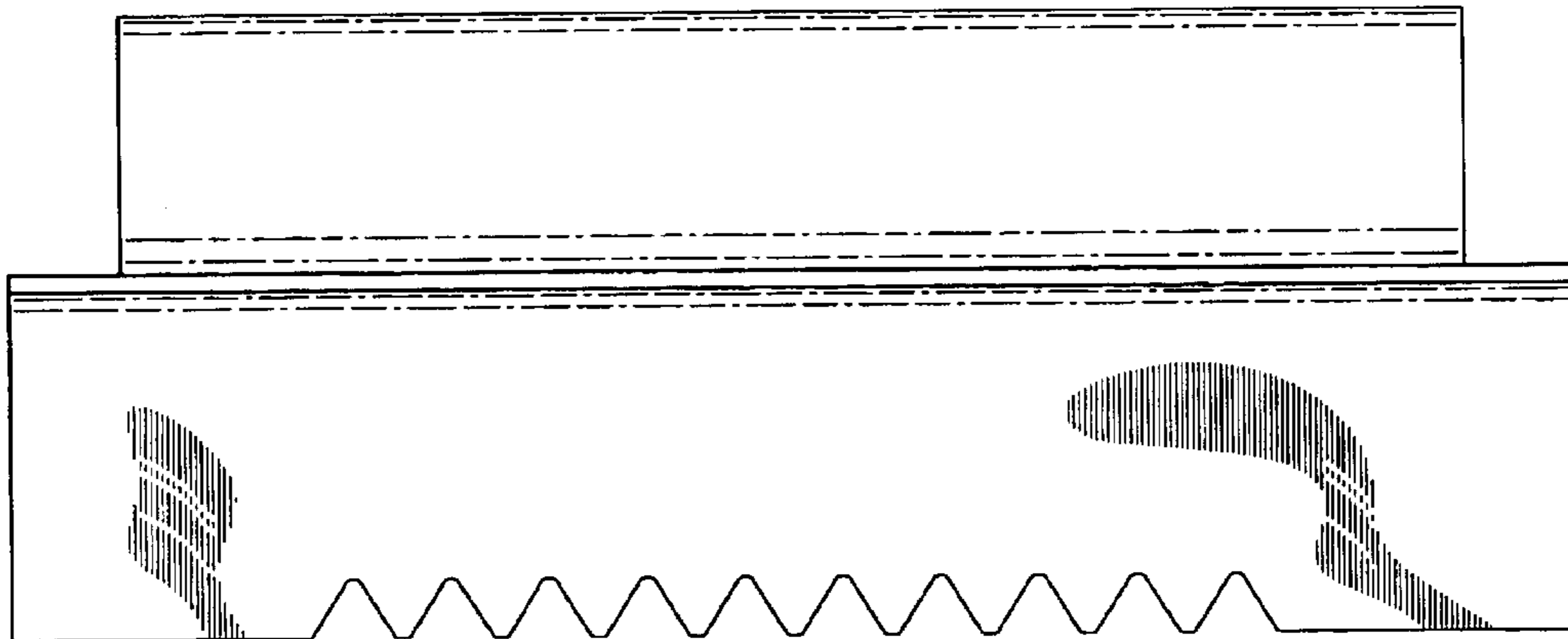


FIG. 2

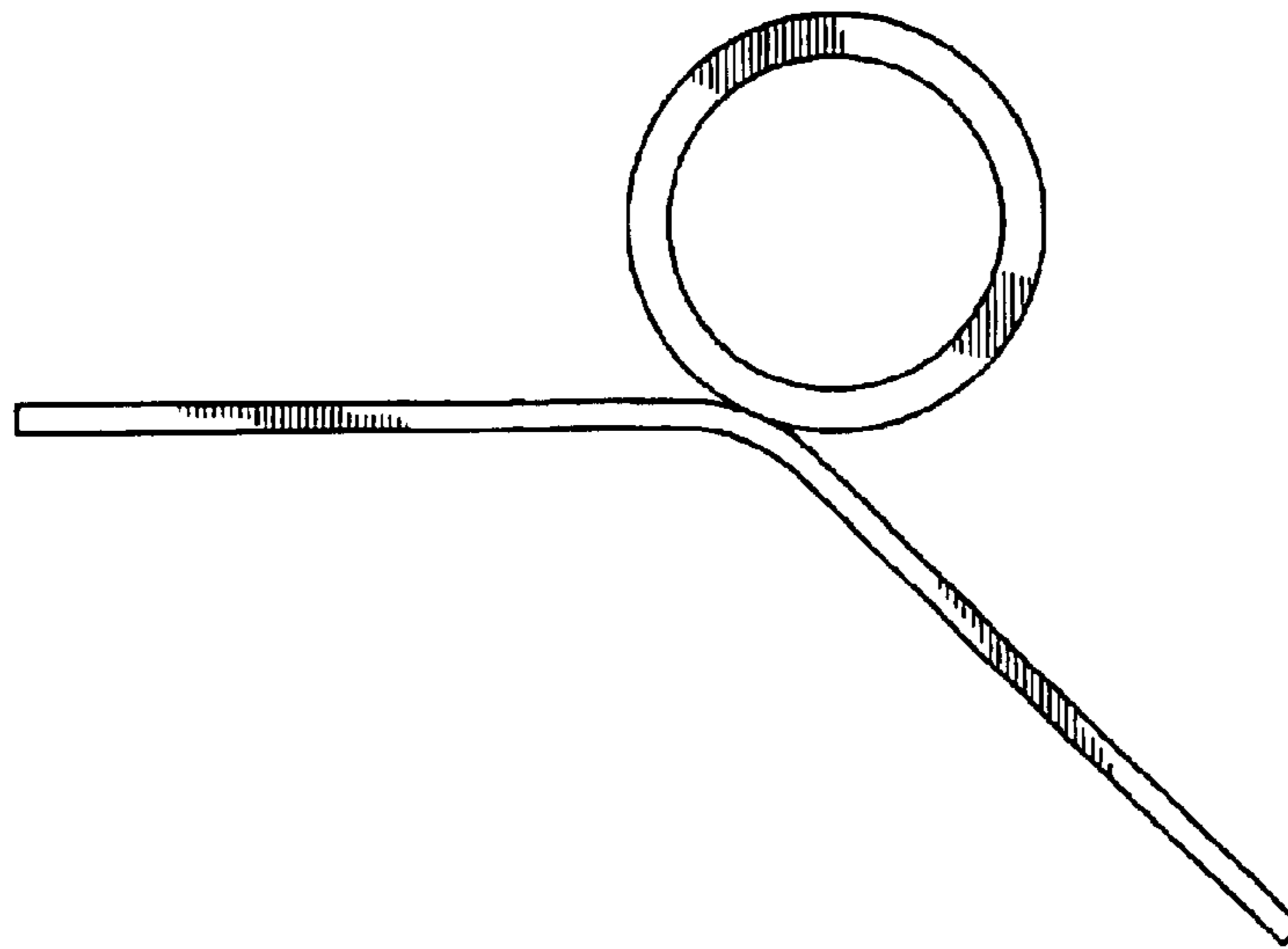


FIG. 3

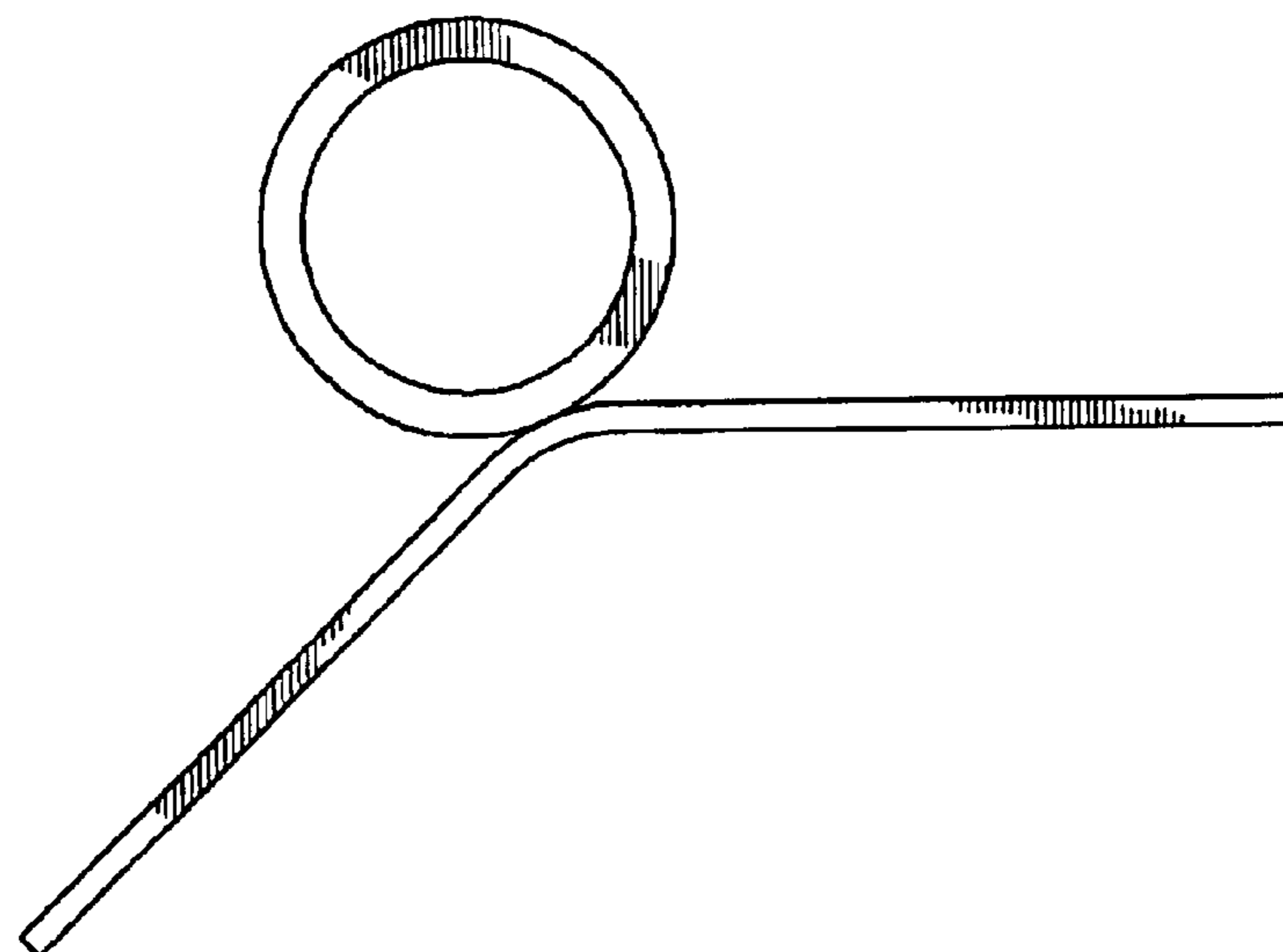


FIG. 4

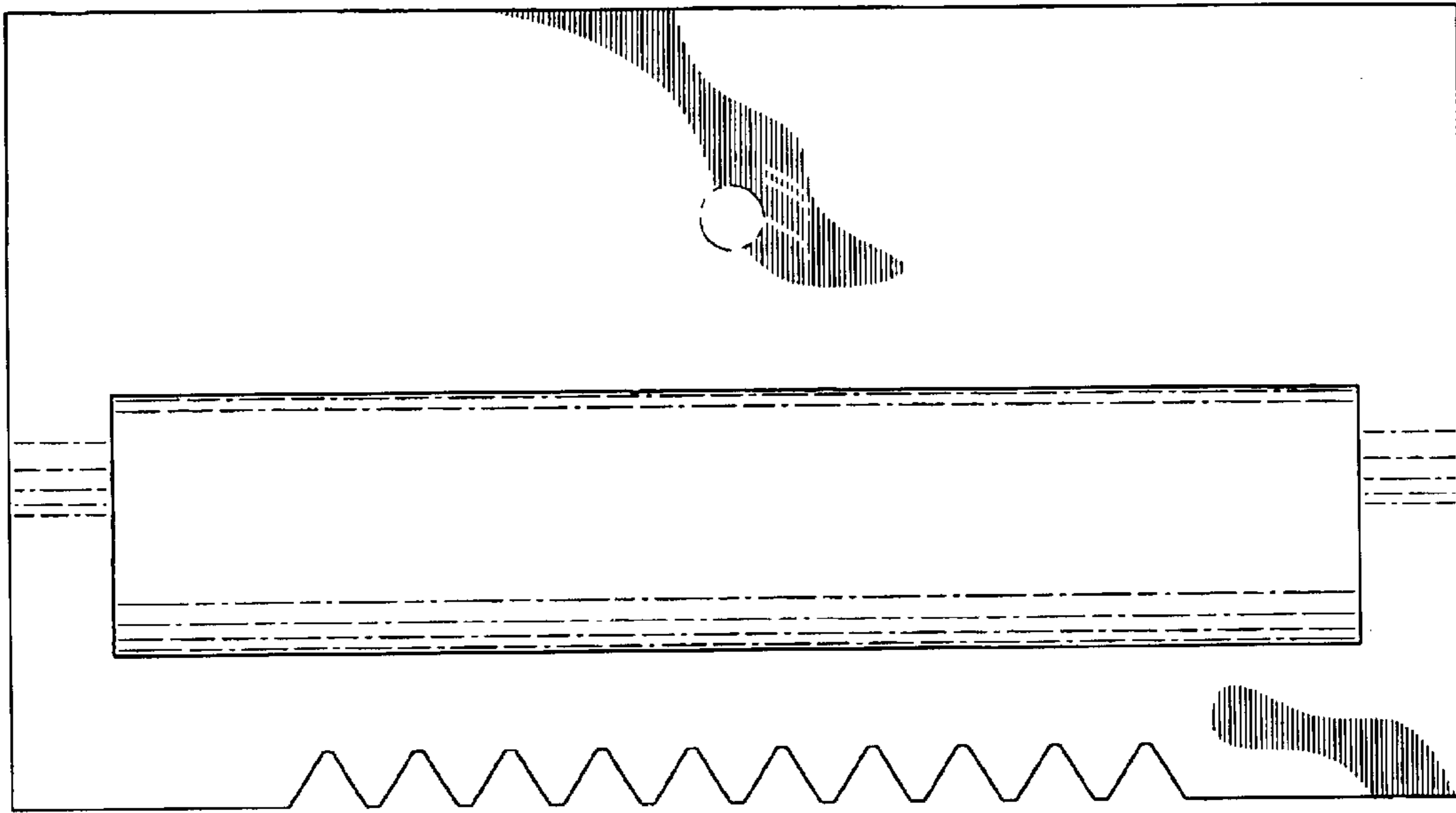


FIG. 5

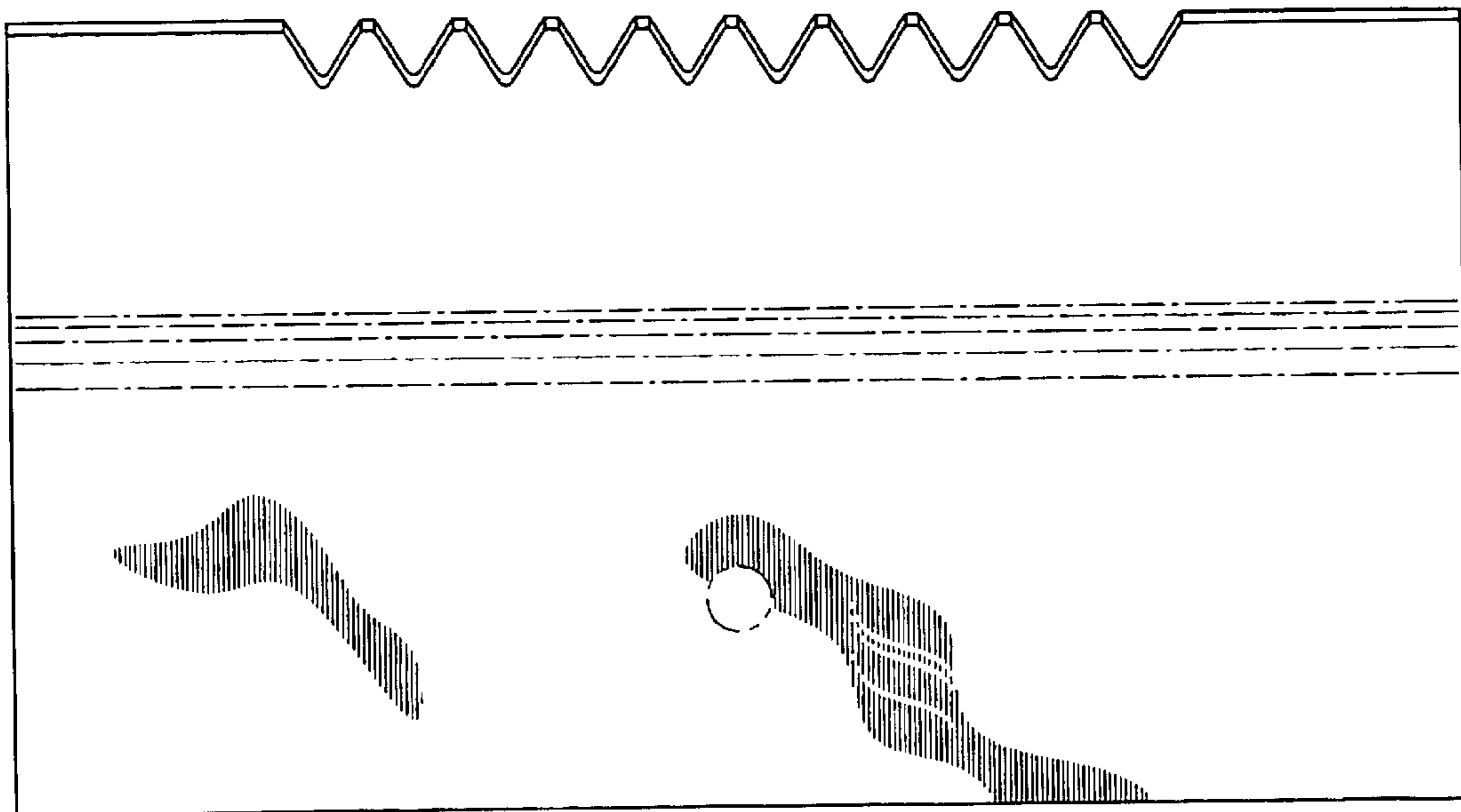


FIG. 6

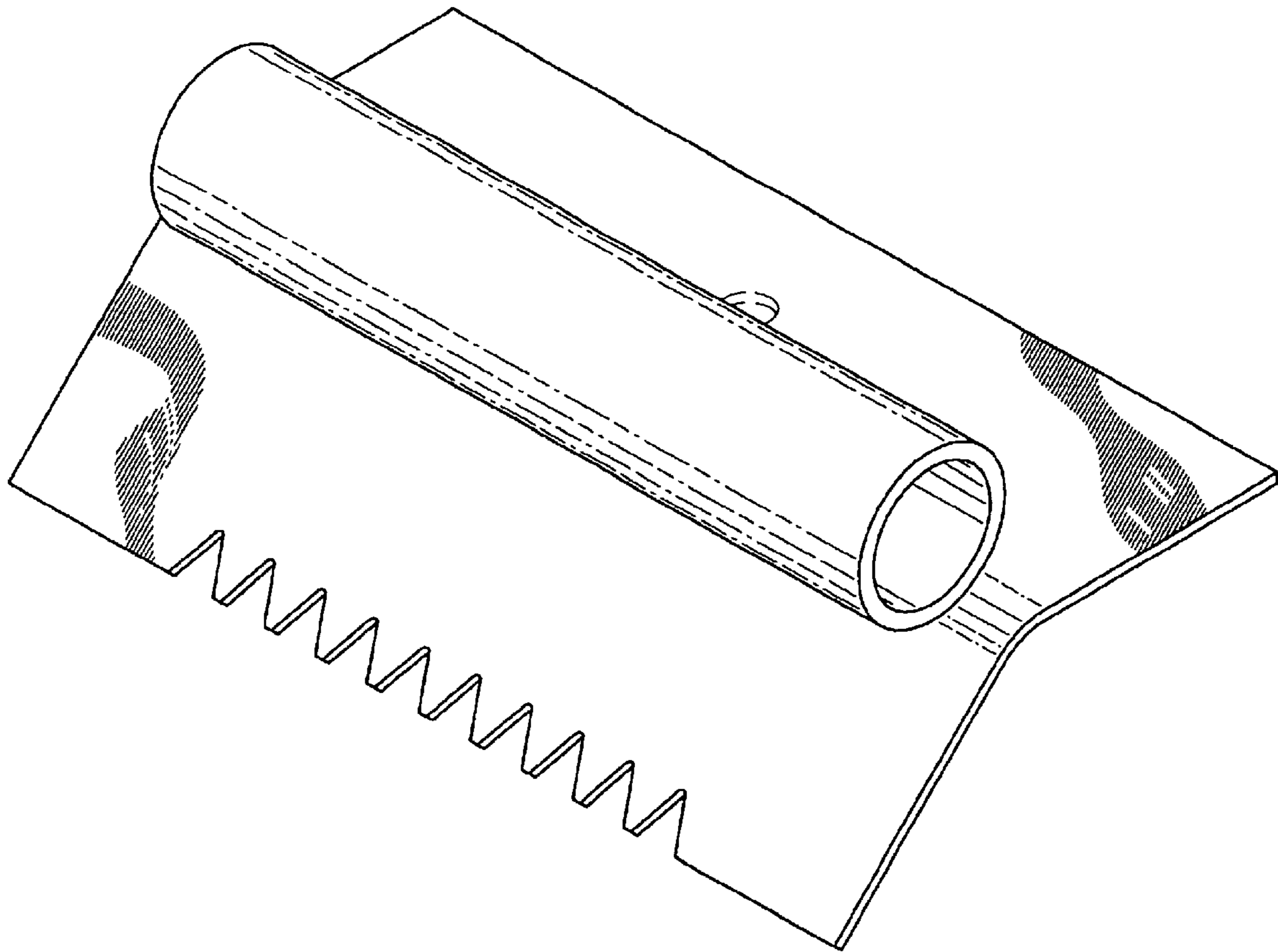


FIG. 7

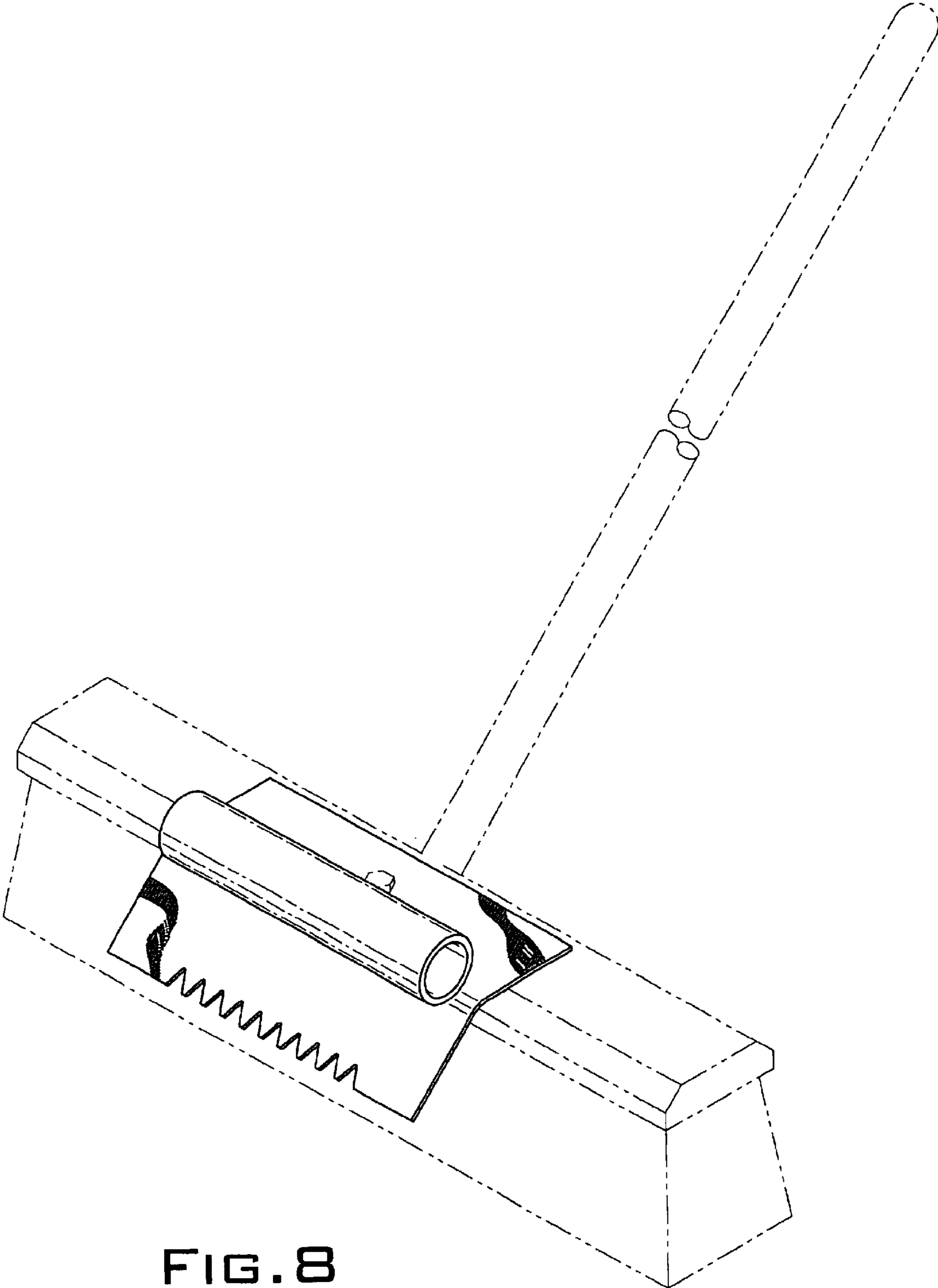


FIG. 8