



US00D517324S

(12) **United States Design Patent** (10) **Patent No.:** **US D517,324 S**
Whitney et al. (45) **Date of Patent:** **** Mar. 21, 2006**

(54) **TOOTHBRUSH**

(75) Inventors: **John Roy Whitney**, Hamilton, OH (US); **Lawrence A. Blaustein**, Moreland Hills, OH (US); **Patrick W. Brown**, Auburn, OH (US); **Kadir Abdul Rahman**, North Point (HK)

D433,814 S 11/2000 Blaustein et al.
 6,178,579 B1 1/2001 Blaustein et al.
 6,189,693 B1 2/2001 Blaustein et al.
 6,311,837 B1 11/2001 Blaustein et al.
 6,360,395 B1 3/2002 Blaustein et al.
 6,371,294 B1 4/2002 Blaustein et al.
 D465,088 S * 11/2002 Blaustein et al. D4/101
 2002/0032941 A1 3/2002 Blaustein et al.

(73) Assignee: **Church & Dwight Co., Inc.**, Princeton, NJ (US)

(**) Term: **14 Years**

(21) Appl. No.: **29/161,471**

(22) Filed: **May 30, 2002**

Related U.S. Application Data

(62) Division of application No. 10/090,394, filed on Mar. 4, 2002.

(51) **LOC (8) Cl.** **28-03**

(52) **U.S. Cl.** **D4/101; D4/108**

(58) **Field of Classification Search** D4/101, D4/104-113, 116, 121, 132, 134, 138; 15/22.1, 15/23, 24, 28, 29, 105, 143.1, 159.1, 167.1, 15/167.2; 132/308, 309, 311; 211/65; 248/110, 248/111, 682, 688

See application file for complete search history.

(56) **References Cited**

U.S. PATENT DOCUMENTS

D228,983 S 11/1973 Janssens
 D237,659 S 11/1975 Meyer et al.
 4,336,622 A * 6/1982 Teague, Jr. et al. 15/22.1
 D328,177 S * 7/1992 Turner
 D330,459 S * 10/1992 Makinami D4/104
 D341,943 S 12/1993 Si-Hoe
 D368,373 S 4/1996 Shimatsu et al.
 5,544,382 A 8/1996 Giuliani et al.
 6,000,083 A 12/1999 Blaustein et al.
 6,026,532 A * 2/2000 Catanzaro 15/167.1
 D428,258 S 7/2000 Moskovich et al.
 D428,259 S 7/2000 Moskovich et al.
 D432,312 S 10/2000 Blaustein et al.

FOREIGN PATENT DOCUMENTS

CA 89746 6/2000
 CA 89747 6/2000
 GB 2059795 9/1997
 GB 2098245 1/2001
 GB 2105926 3/2002
 GB 3004165 10/2002
 JP 11056475 A * 3/1999
 WO WO 9917633 A1 * 4/1999

* cited by examiner

Primary Examiner—Alan P. Douglas
Assistant Examiner—Lavone D. Tabor

(57) **CLAIM**

The ornamental design for a toothbrush, as shown and described.

DESCRIPTION

FIG. 1 is a perspective view illustrating the claimed toothbrush;

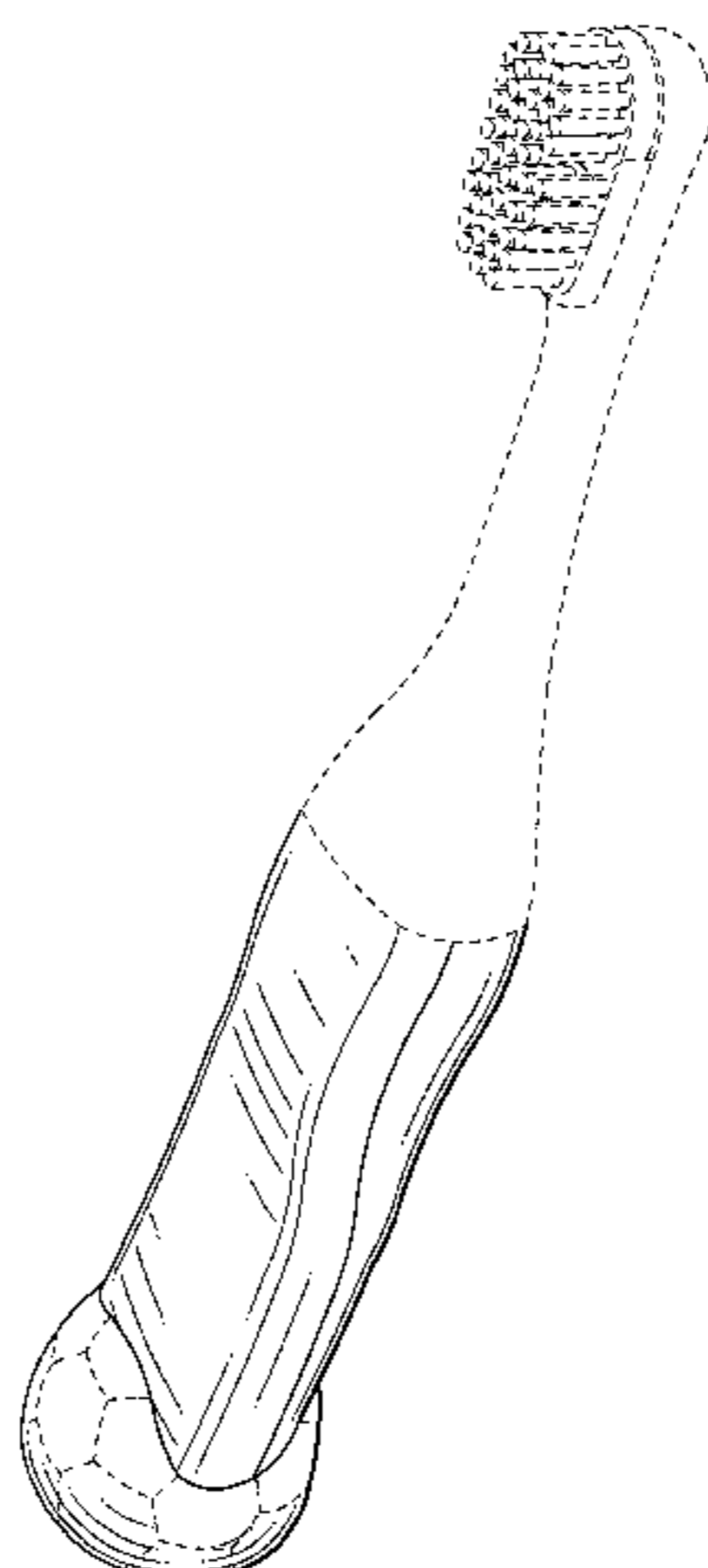
FIG. 2 is a front elevational view of the claimed toothbrush; FIG. 3 is an elevational view of a first side of the claimed toothbrush;

FIG. 4 is an elevational view of a second side, opposite from the first side shown in FIG. 3, of the claimed toothbrush; FIG. 5 is an elevational view of the rear of the claimed toothbrush;

FIG. 6 is a top planar view of the claimed toothbrush; and, FIG. 7 is a bottom view of the underside of the claimed toothbrush.

The broken lines immediately adjacent the surface shading on the uppermost portion of the claimed handle represent the bounds of the claim and all of the other broken lines are for illustrative purposes only. None of the broken lines form part of the claimed design.

1 Claim, 6 Drawing Sheets



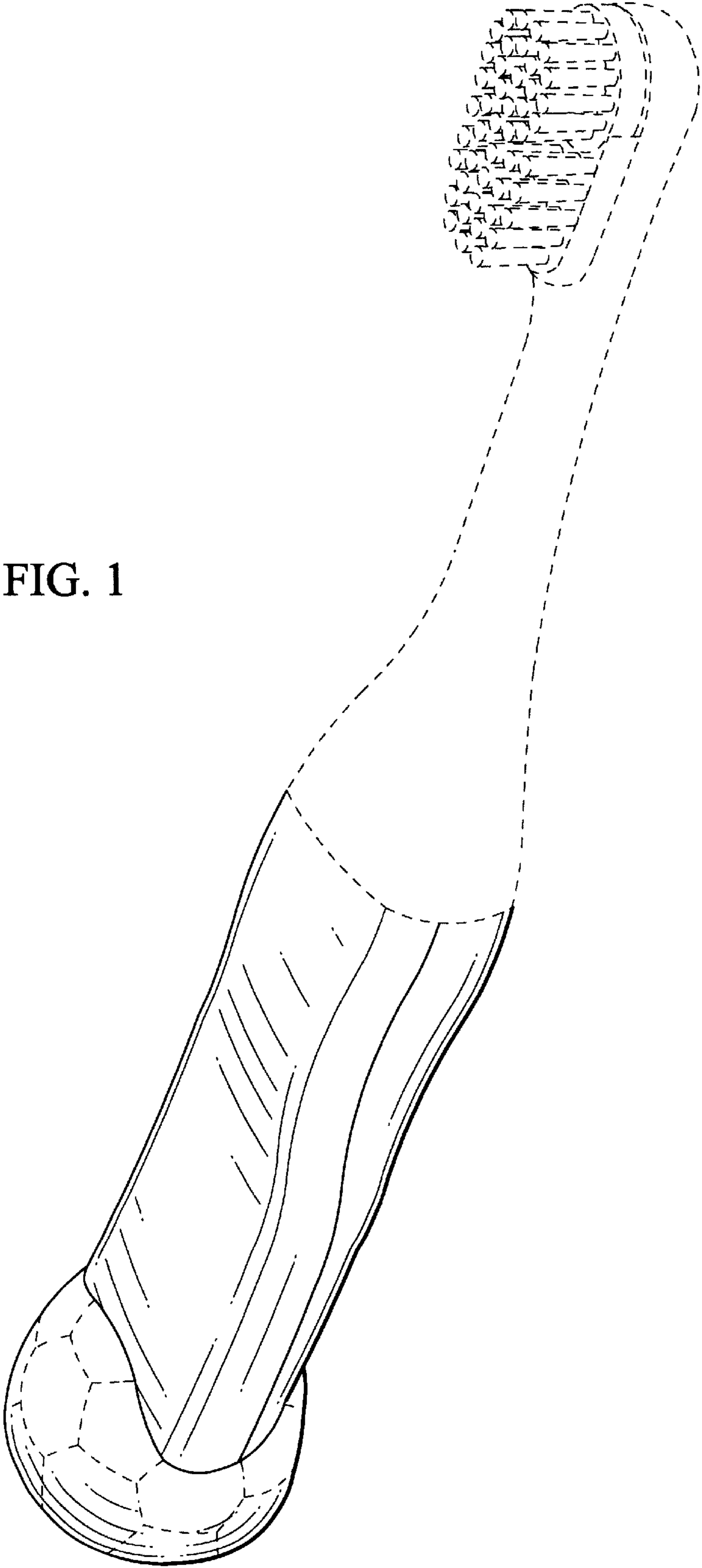
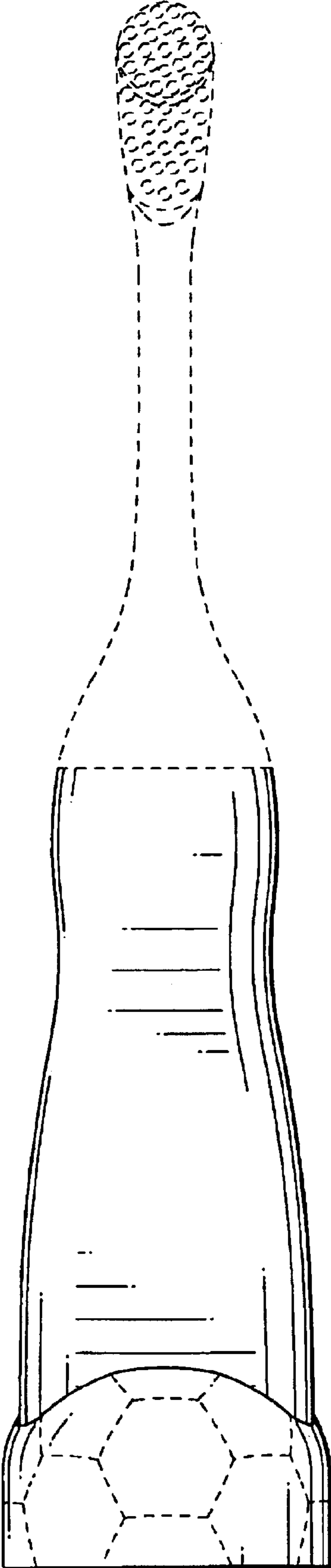


FIG. 1

FIG. 2



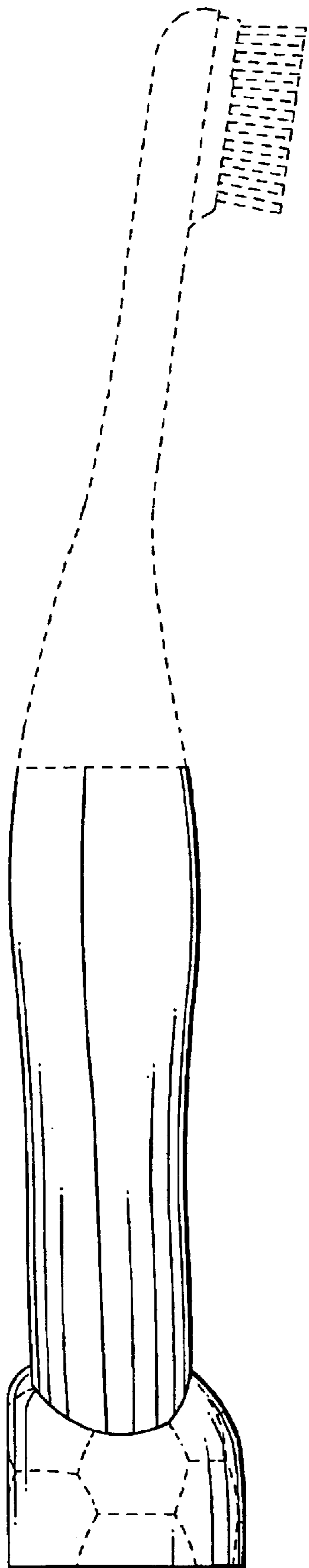


FIG. 3

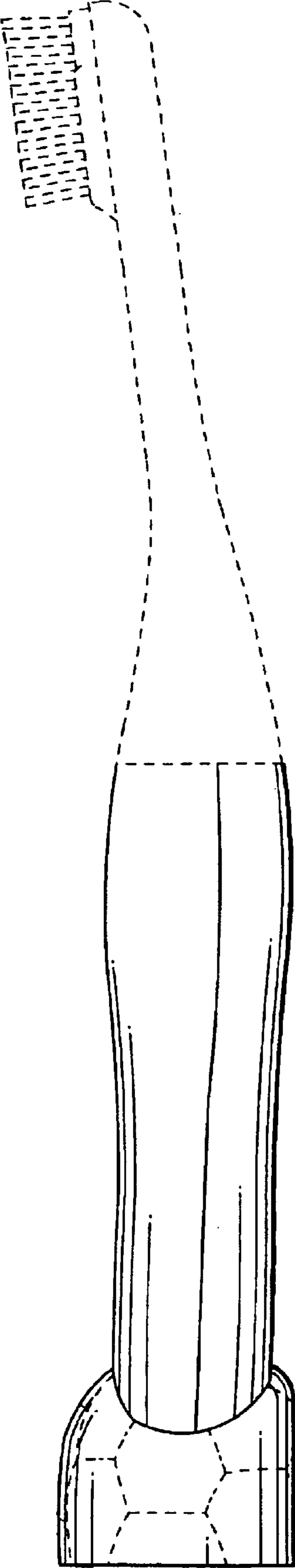
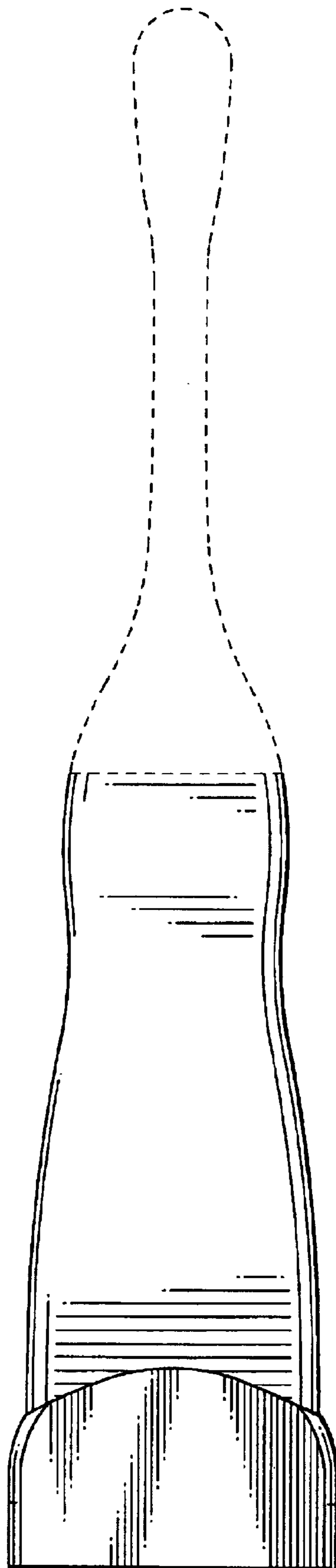


FIG. 4

FIG. 5



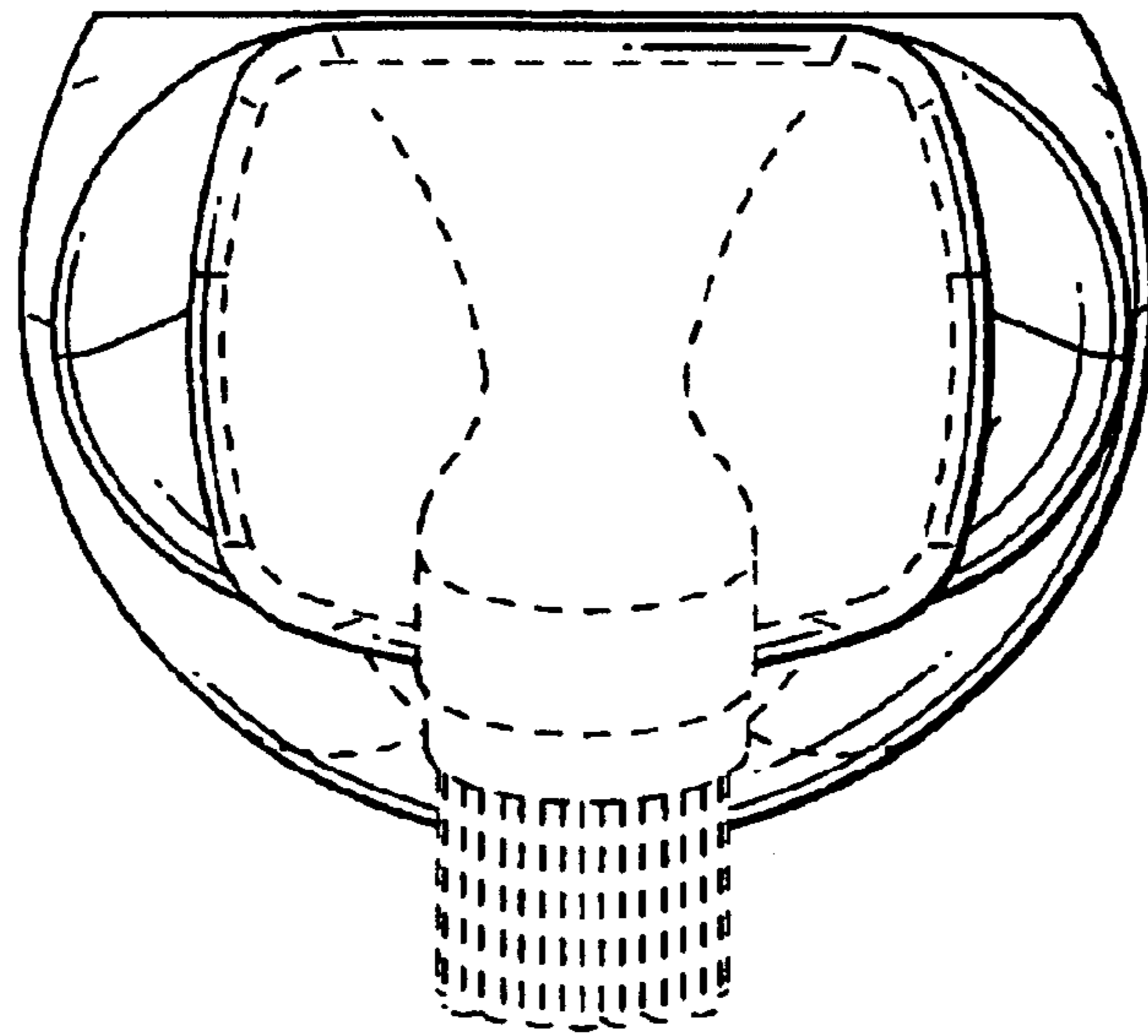


FIG. 6

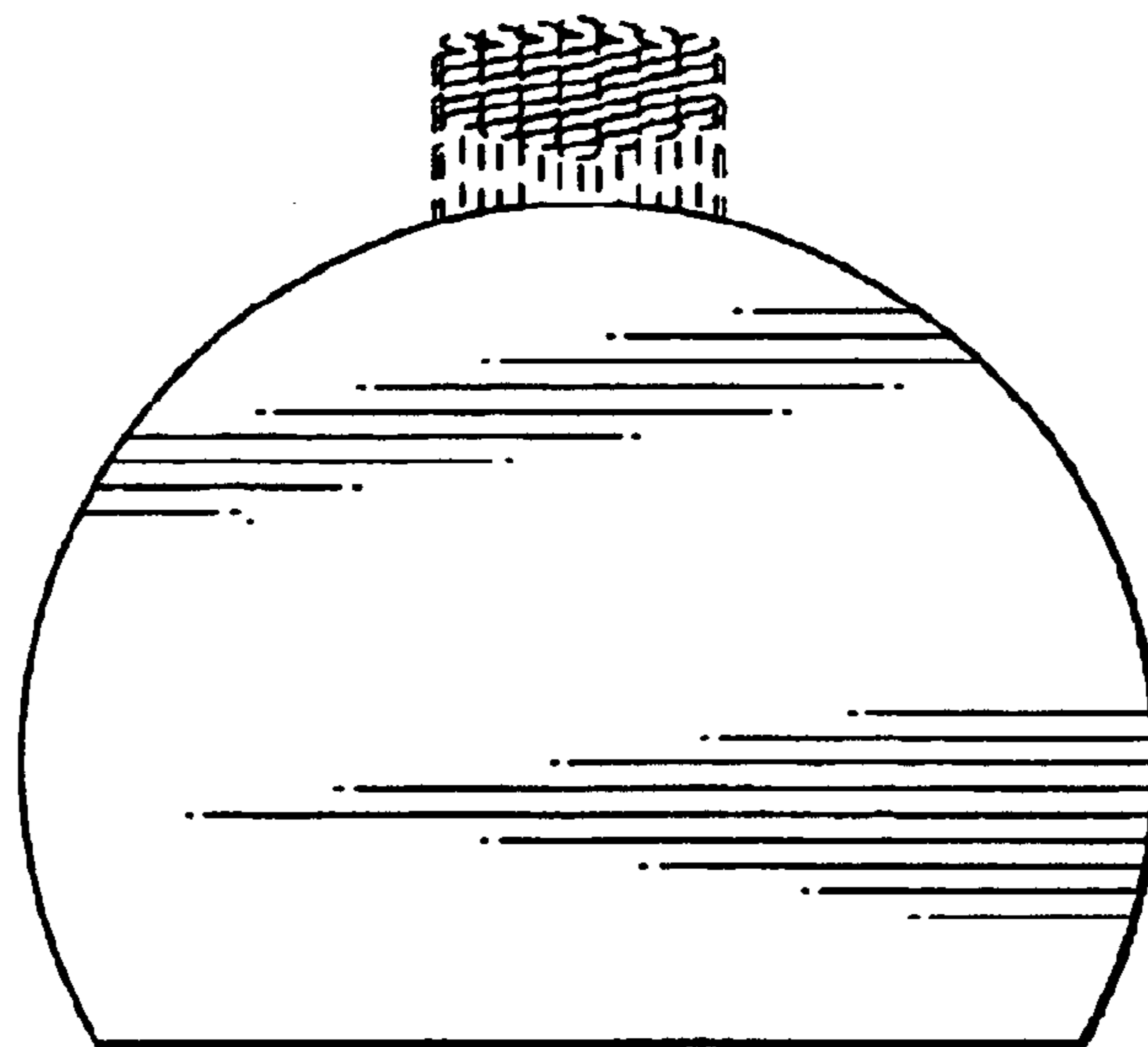


FIG. 7