



US00D517323S

(12) **United States Design Patent**
Raimondo et al.

(10) **Patent No.:** **US D517,323 S**
(45) **Date of Patent:** **** Mar. 21, 2006**

(54) **INFANT CARRIER SUPPORT HOLDER**

(76) Inventors: **Brett L. Raimondo**, 15 Country La.,
Mendham, NJ (US) 07945; **Raechelle**
Raimondo, 15 Country La., Mendham,
NJ (US) 07945

(**) **Term:** **14 Years**

(21) **Appl. No.:** **29/209,256**

(22) **Filed:** **Jul. 13, 2004**

(51) **LOC (8) Cl.** **03-99**

(52) **U.S. Cl.** **D3/328**

(58) **Field of Classification Search** 379/440,
379/419, 428, 441, 446, 450, 454, 455; D3/318-328,
D3/218, 214, 215, 213; D14/142, 251, 253;
D13/108; 455/90, 128, 575; 224/269, 904,
224/240, 236, 270, 159, 226, 242, 907, 197,
224/271, 666, 667, 158, 160, 161, 578, 579,
224/580; 248/304, 227.2

See application file for complete search history.

(56) **References Cited**

U.S. PATENT DOCUMENTS

3,200,536	A	*	8/1965	Petitto, Sr.	446/28
D203,101	S	*	12/1965	Holder	D3/218
4,319,704	A	*	3/1982	Rosen	224/270
D275,527	S	*	9/1984	Gee	D3/215
4,638,530	A	*	1/1987	Perry	24/3.12
4,766,891	A	*	8/1988	Schultz	128/882
4,779,777	A	*	10/1988	Johnson et al.	224/250
4,901,898	A	*	2/1990	Colombo et al.	224/159
D308,870	S	*	6/1990	Rioux, Jr.	D14/251
4,998,277	A	*	3/1991	Rioux, Jr.	379/454
5,011,056	A	*	4/1991	Larreategui	224/159
D338,048	S	*	8/1993	Finley	D21/796
5,320,121	A	*	6/1994	Alexanian	134/123

D363,598	S	*	10/1995	Walters et al.	D3/215
5,456,394	A	*	10/1995	Israel	224/270
5,511,707	A	*	4/1996	Reichert	224/270
5,697,537	A	*	12/1997	Bowlsby	224/270
5,826,763	A	*	10/1998	Roberts	224/270
D417,959	S	*	12/1999	Albaugh et al.	D3/328
6,053,383	A	*	4/2000	Gunderson	224/270
6,186,381	B1	*	2/2001	Kernkamp	224/161
D468,901	S	*	1/2003	Thornber	D3/214
D476,815	S	*	7/2003	Richter	D3/328
6,789,710	B1	*	9/2004	Szatkowski	224/159
6,837,406	B1	*	1/2005	Sclafani	224/159
2004/0040991	A1	*	3/2004	McCoy	224/251
2005/0045685	A1	*	3/2005	Sesto	224/587

* cited by examiner

Primary Examiner—Sandra S. Snapp
(74) *Attorney, Agent, or Firm*—Stuart M. Goldstein

(57) **CLAIM**

The ornamental design for an infant carrier support holder,
as shown and described.

DESCRIPTION

FIG. 1 is a perspective view of the carrier support holder of
the present invention.

FIG. 2 is the front view of the carrier support holder of the
present invention.

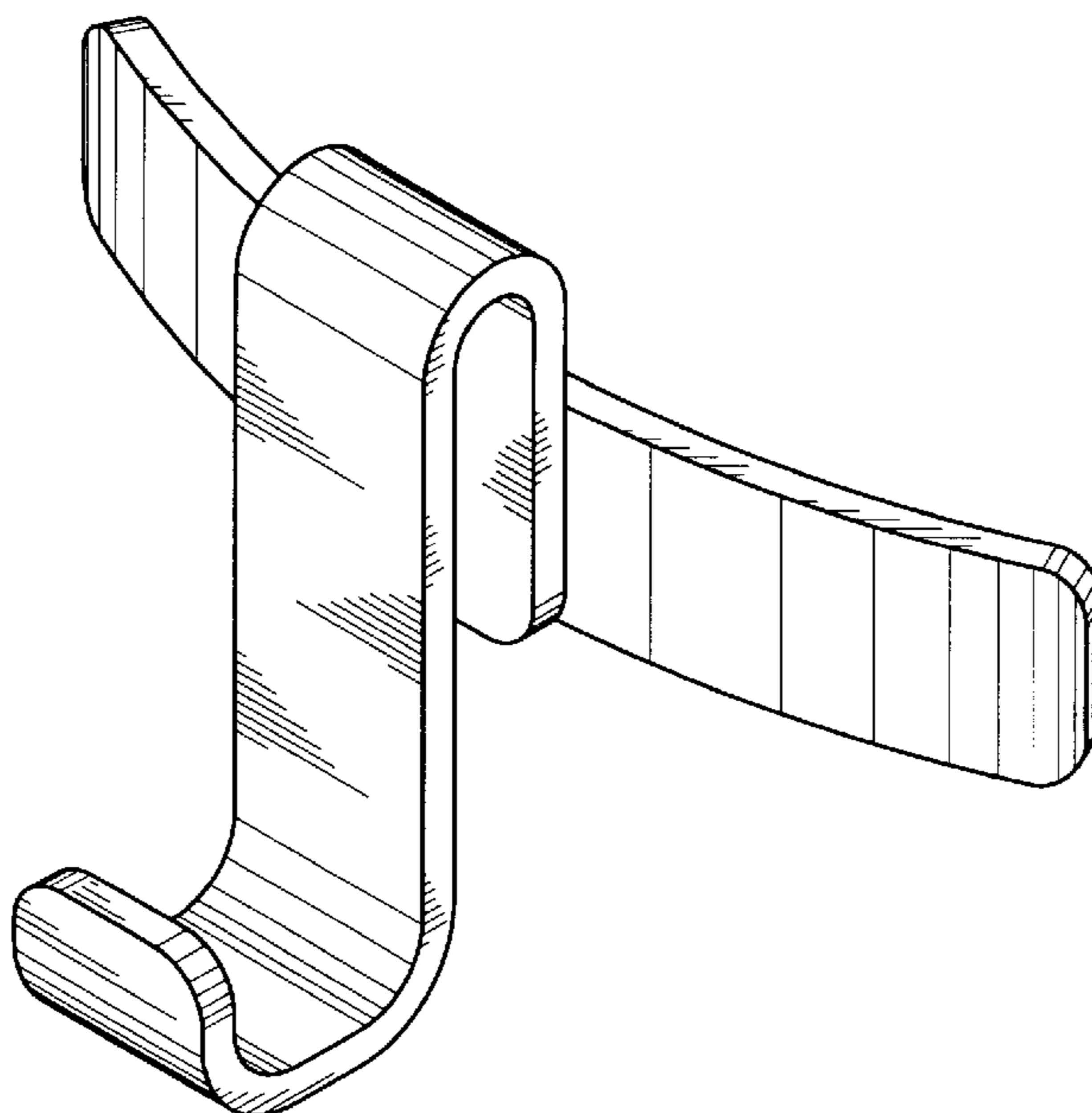
FIG. 3 is the rear view of the carrier support holder of the
present invention.

FIG. 4 is the top view of the carrier support holder of the
present invention.

FIG. 5 is the bottom view of the carrier support holder of the
present invention; and,

FIG. 6 is the side view of the carrier support holder of the
present invention.

1 Claim, 4 Drawing Sheets



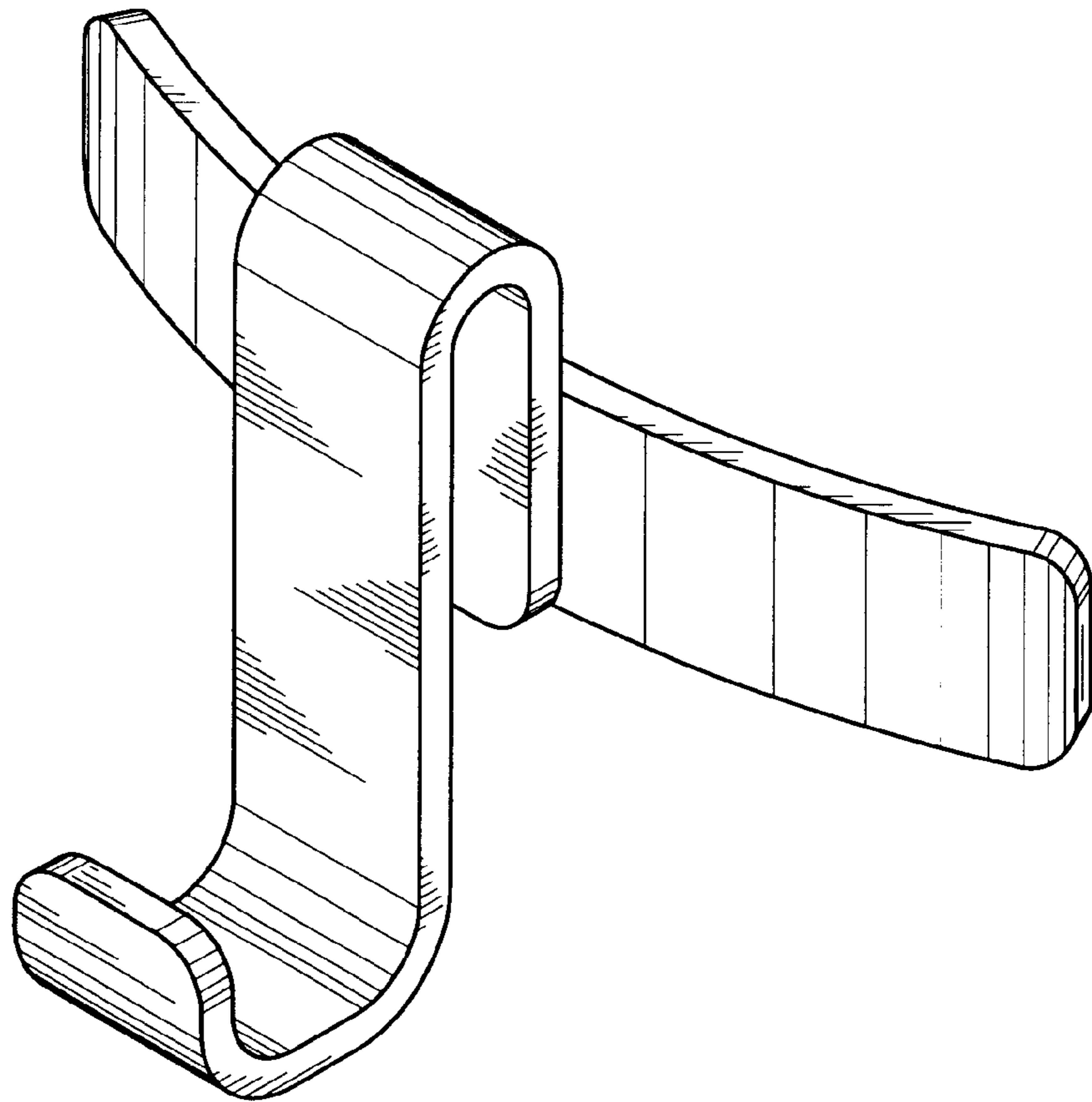


FIG. 1

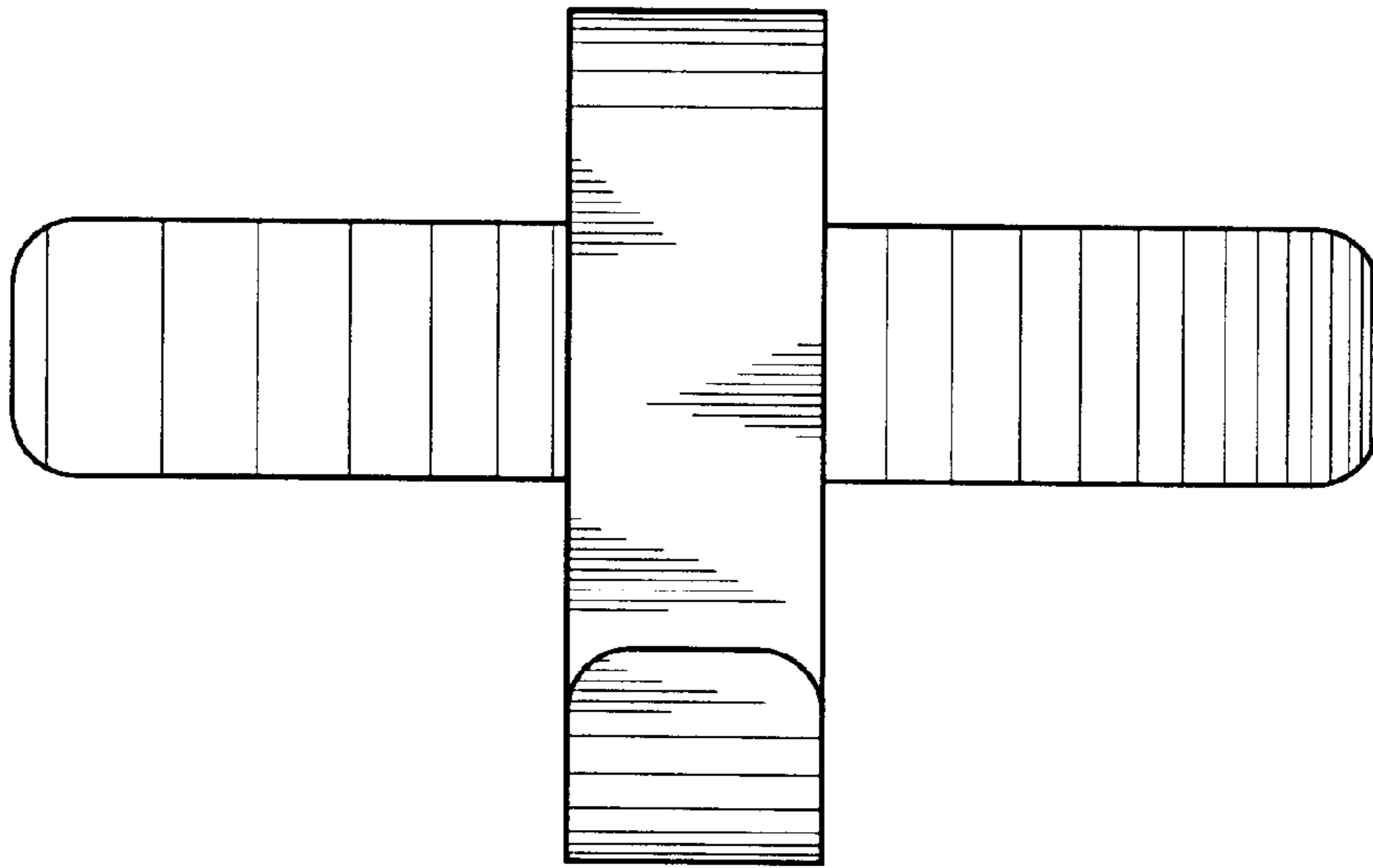


FIG. 2

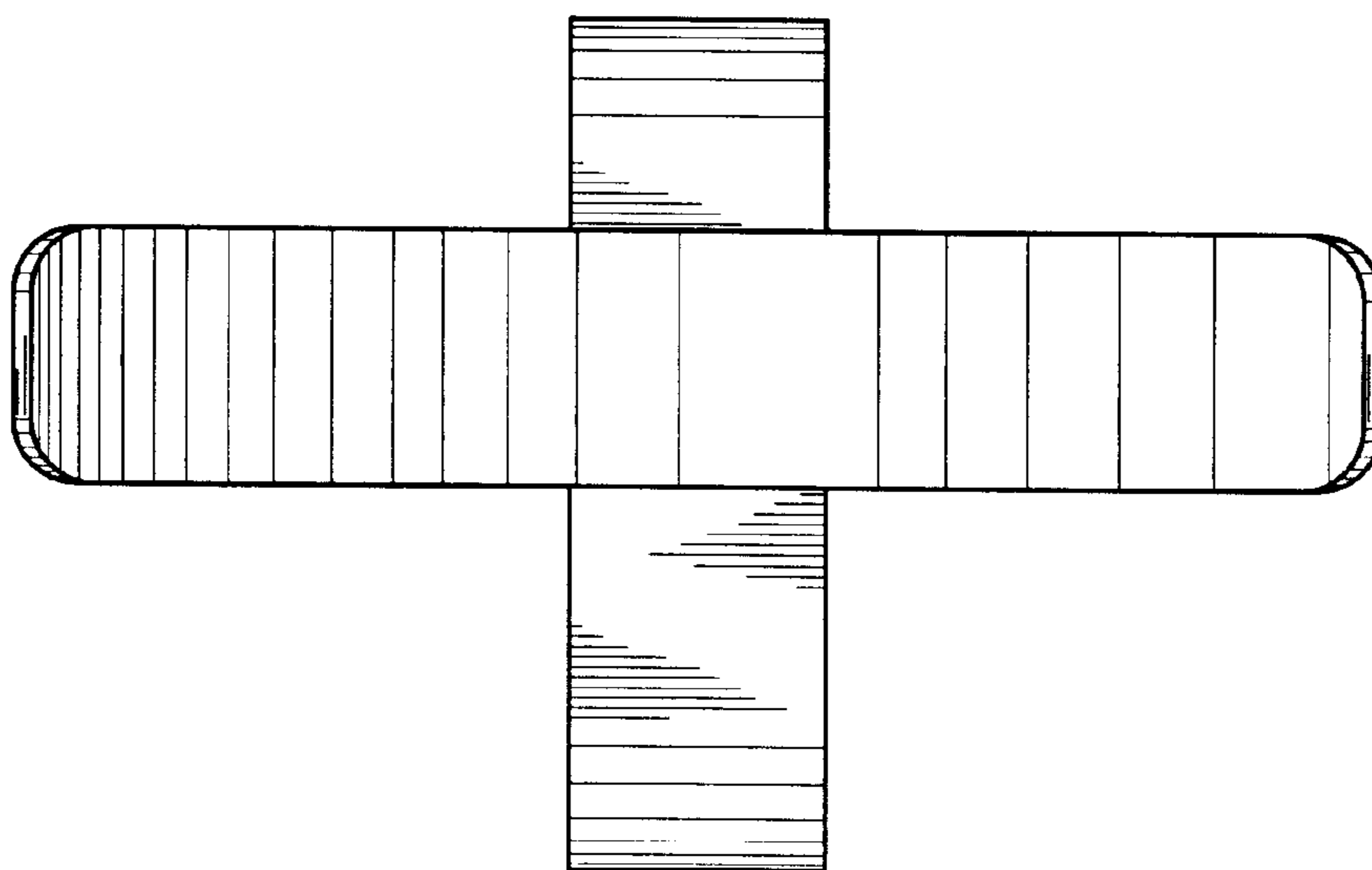


FIG. 3

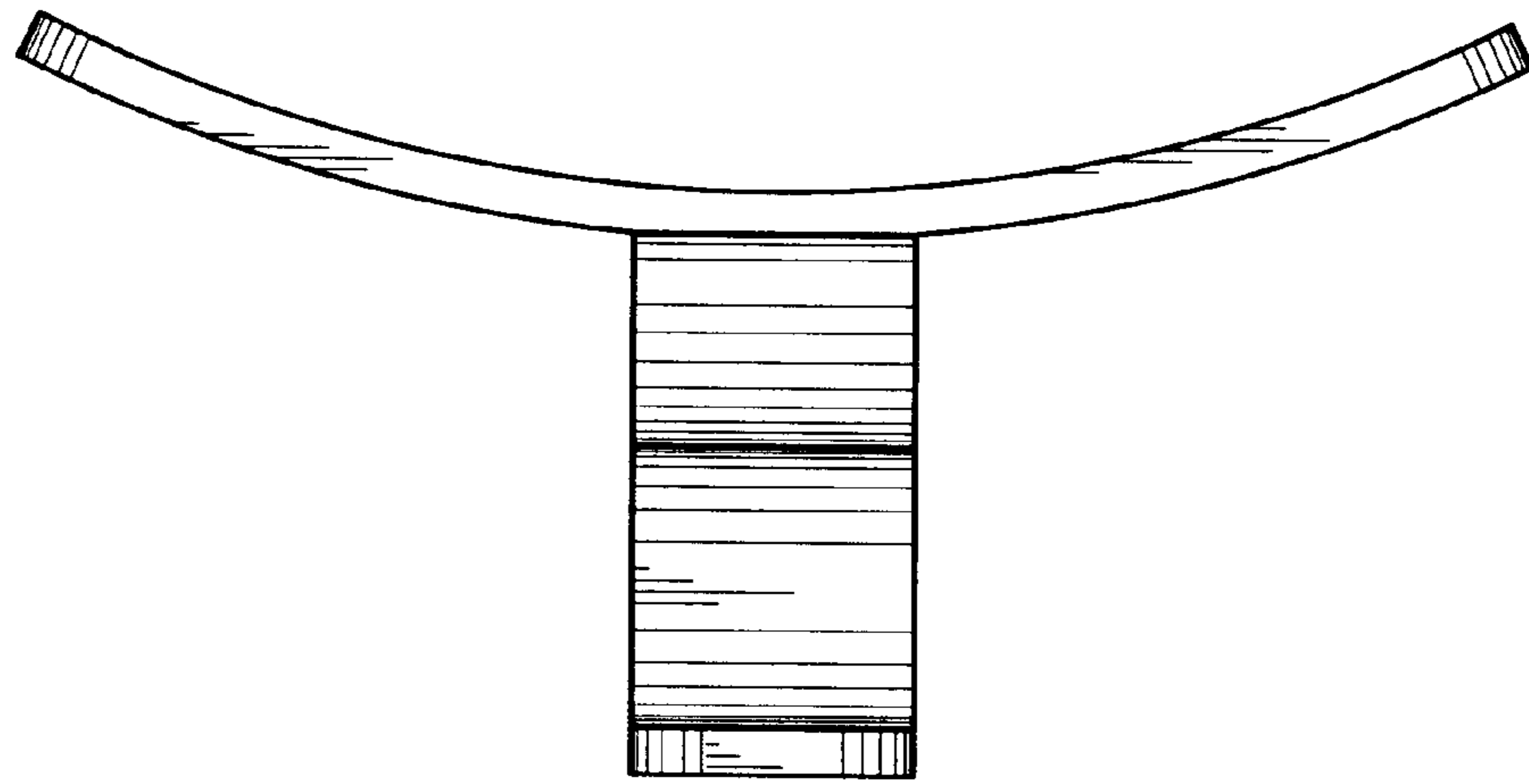


FIG. 4

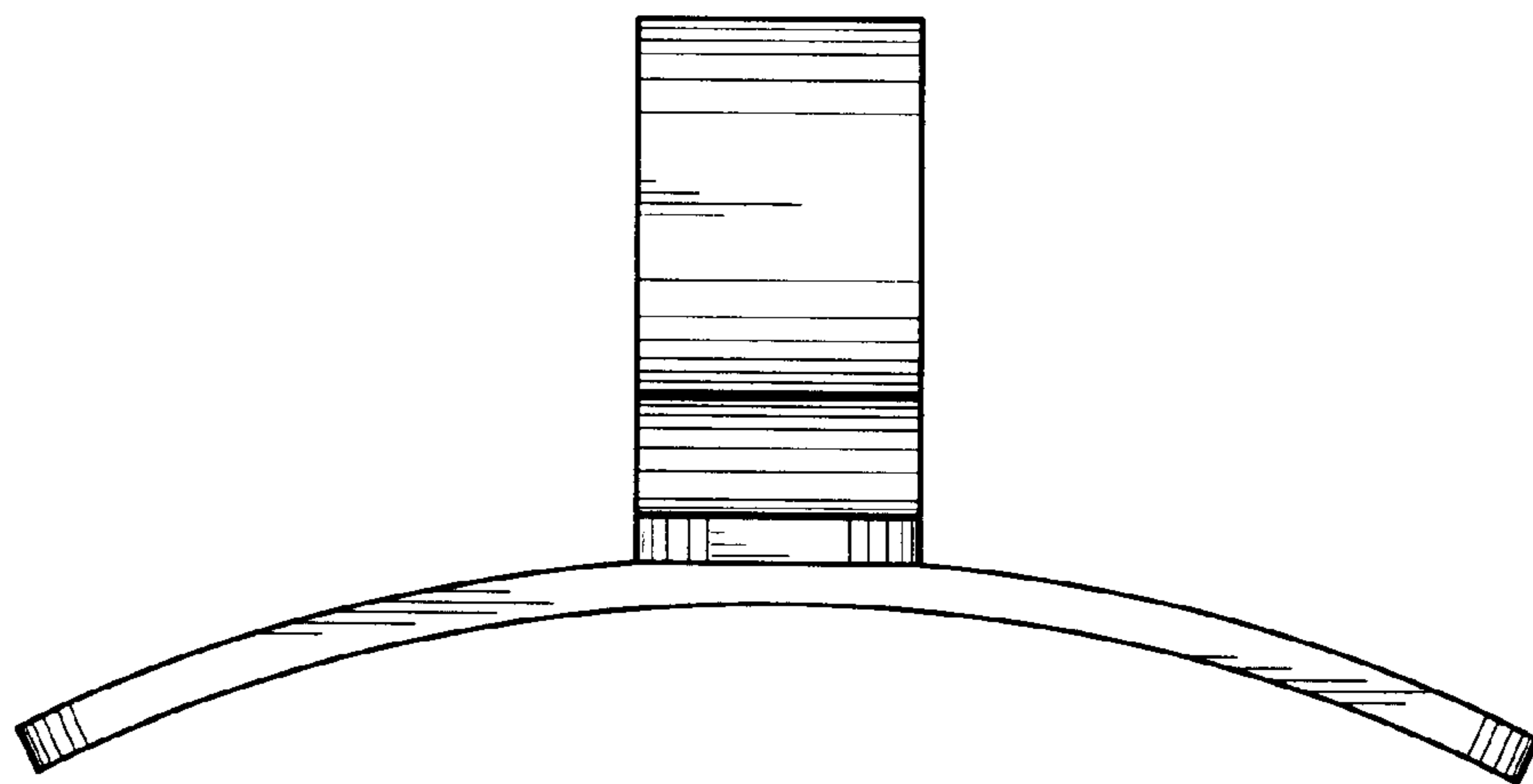


FIG. 5

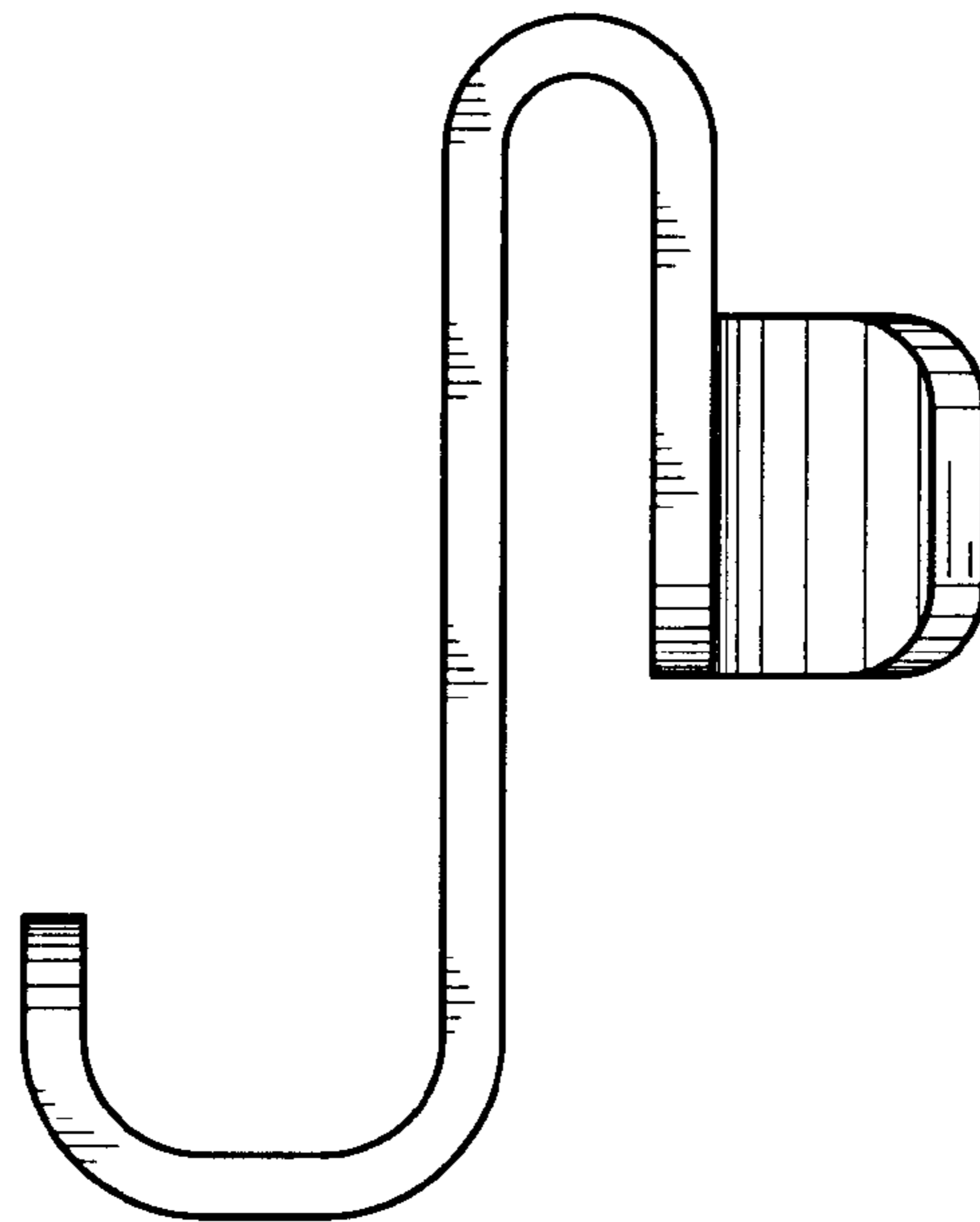


FIG. 6