



US00D517319S

(12) **United States Design Patent**
Wisnoski et al.

(10) **Patent No.:** **US D517,319 S**
(45) **Date of Patent:** **** Mar. 21, 2006**

(54) **STORAGE BIN**
(75) Inventors: **John R. Wisnoski**, Haubstadt, IN (US);
Amy L. Stevenson, Ft. Branch, IN
(US); **Wyatt A. Cline**, Niles, MI (US);
Todd C. Starr, St. Joseph, MI (US)

4,015,713 A 4/1977 Clipson et al. 206/509
D246,615 S * 12/1977 Downing D3/304
D301,927 S 6/1989 Williams D34/40
D304,638 S * 11/1989 Ireland D3/304
D311,799 S * 10/1990 Embree et al. D3/294
D327,561 S 6/1992 Hradisky D34/43

(73) Assignee: **Whirlpool Corporation**, Benton Harbor, MI (US)

* cited by examiner

(**) Term: **14 Years**

Primary Examiner—Louis S. Zarfaz
Assistant Examiner—John Windmuller

(21) Appl. No.: **29/223,403**

(74) *Attorney, Agent, or Firm*—Robert O. Rice; John F. Colligan; Clifton G. Green

(22) Filed: **Feb. 14, 2005**

(57) **CLAIM**

(51) **LOC (8) Cl.** **03-01**
(52) **U.S. Cl.** **D3/304**
(58) **Field of Classification Search** D3/201,
D3/203.1–203.3, 304–315; D6/525; D19/75,
D19/77, 86, 90, 92, 100; 206/203, 214, 215,
206/822, 307.1; 229/100, 914, 913, 406
See application file for complete search history.

The ornamental design for a storage bin, as shown and described.

DESCRIPTION

(56) **References Cited**

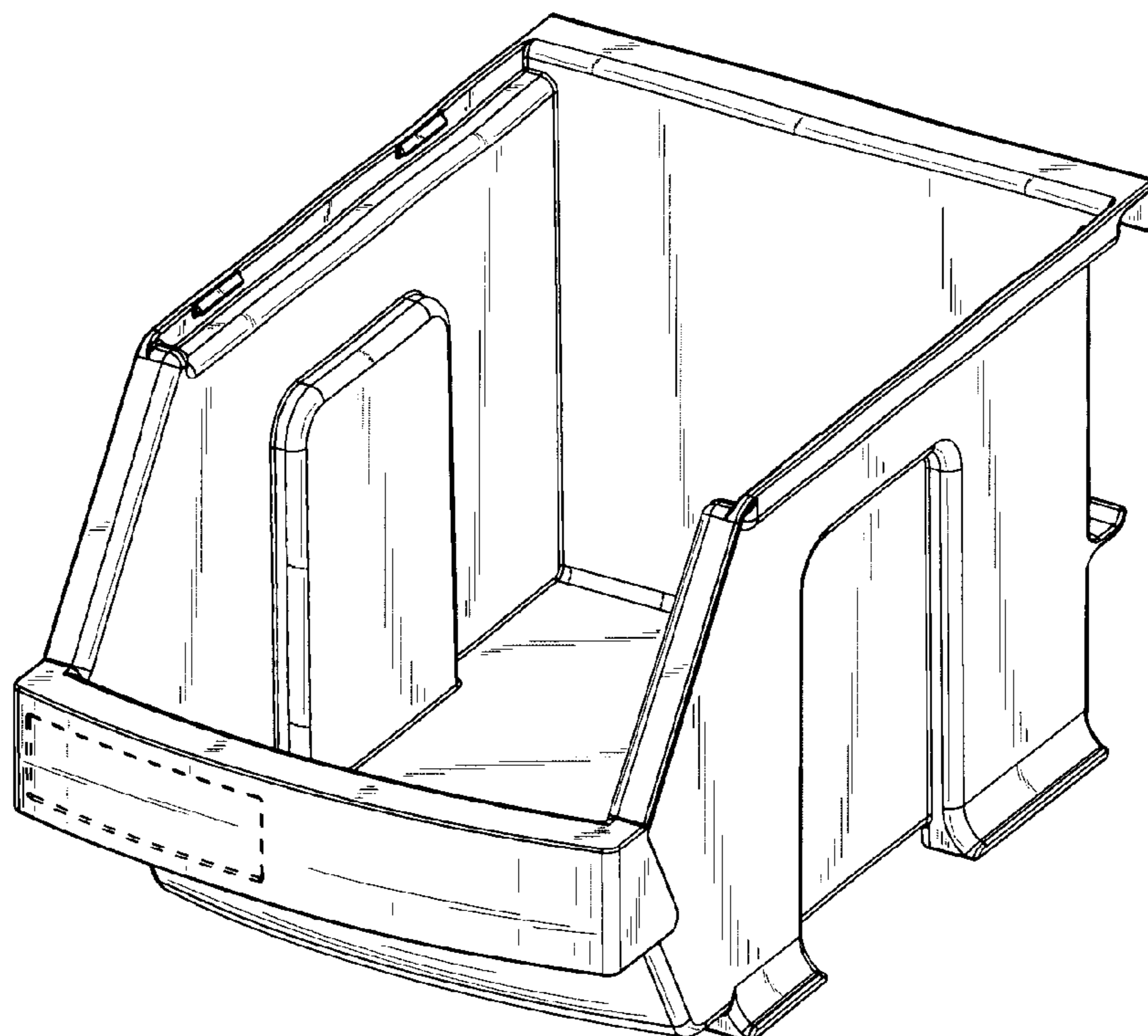
U.S. PATENT DOCUMENTS

D191,144 S * 8/1961 Schanz D3/307
3,252,614 A * 5/1966 Evans 206/509
3,347,934 A 10/1967 Gould
3,995,385 A 12/1976 Clipson et al. 40/10 R

FIG. 1 is a right front perspective view of the design of the storage bin;
FIG. 2 is a front elevational view thereof;
FIG. 3 is a rear elevational view thereof;
FIG. 4 is a top plan view thereof;
FIG. 5 is a bottom plan view thereof; and,
FIG. 6 is a right side elevational view thereof, the left side elevational view being a mirror image thereof.

The broken lines of FIGS. 1 and 2 are for illustrative purposes only and form no part of the claimed design.

1 Claim, 4 Drawing Sheets



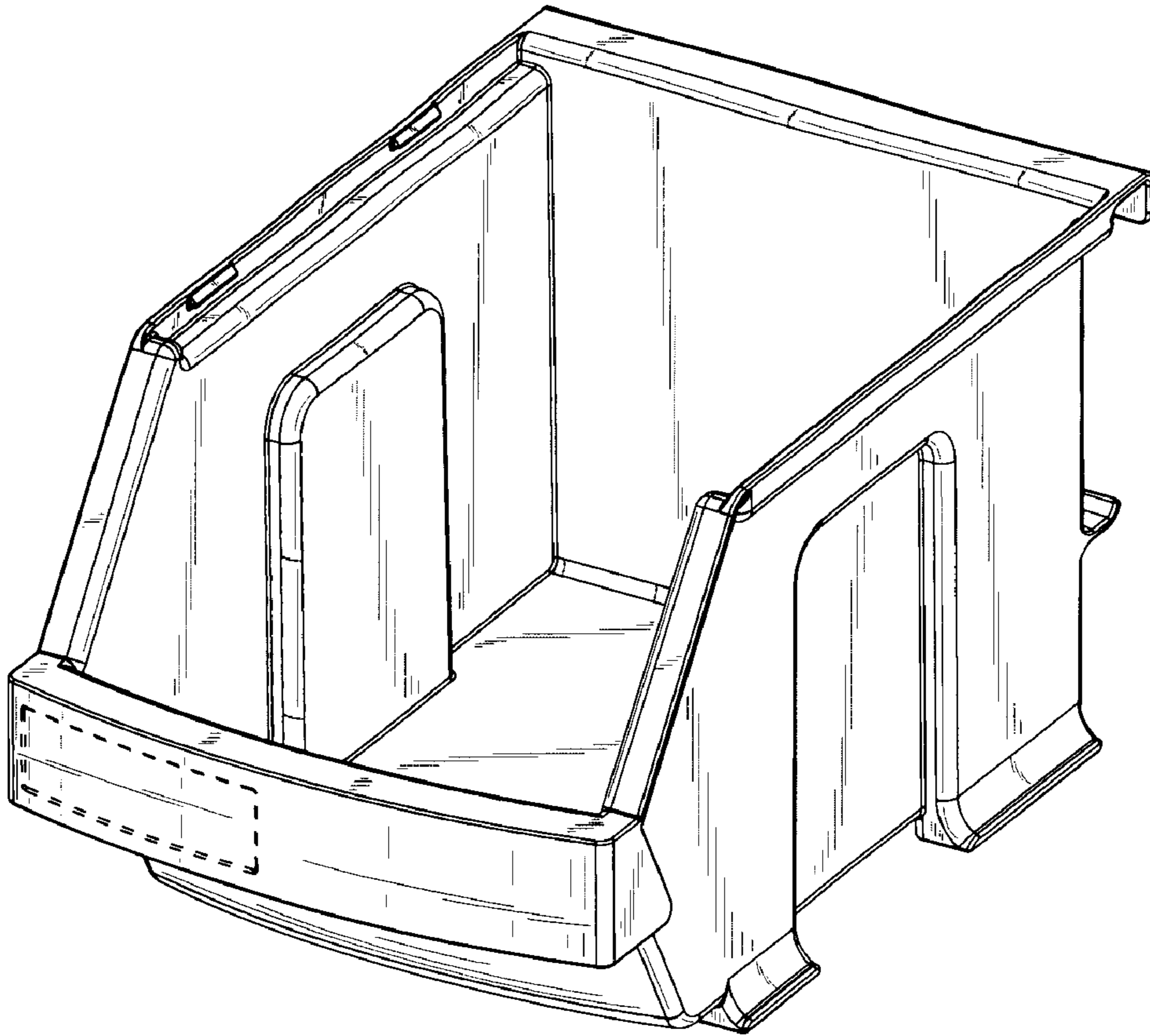


Fig. 1

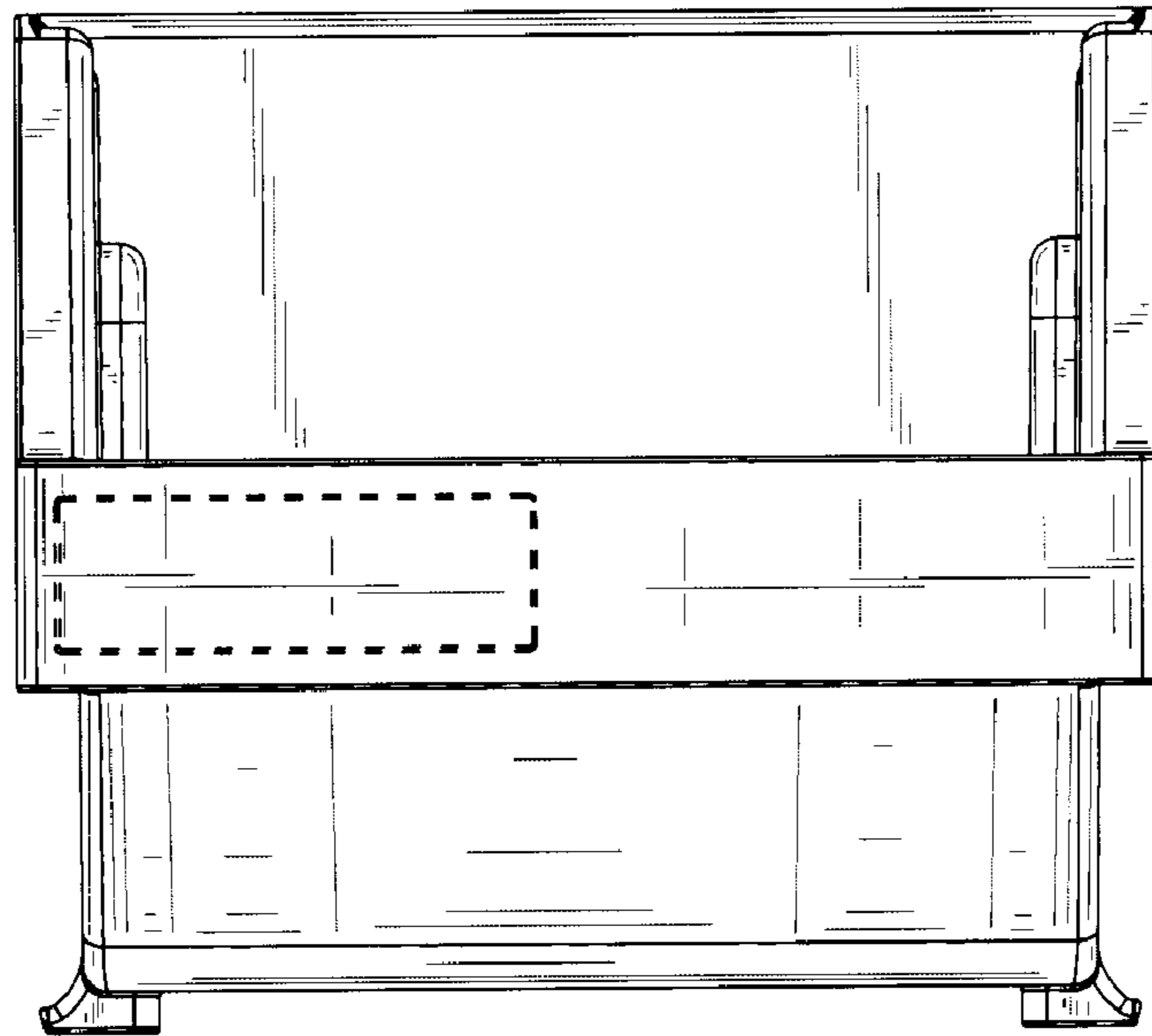


Fig. 2

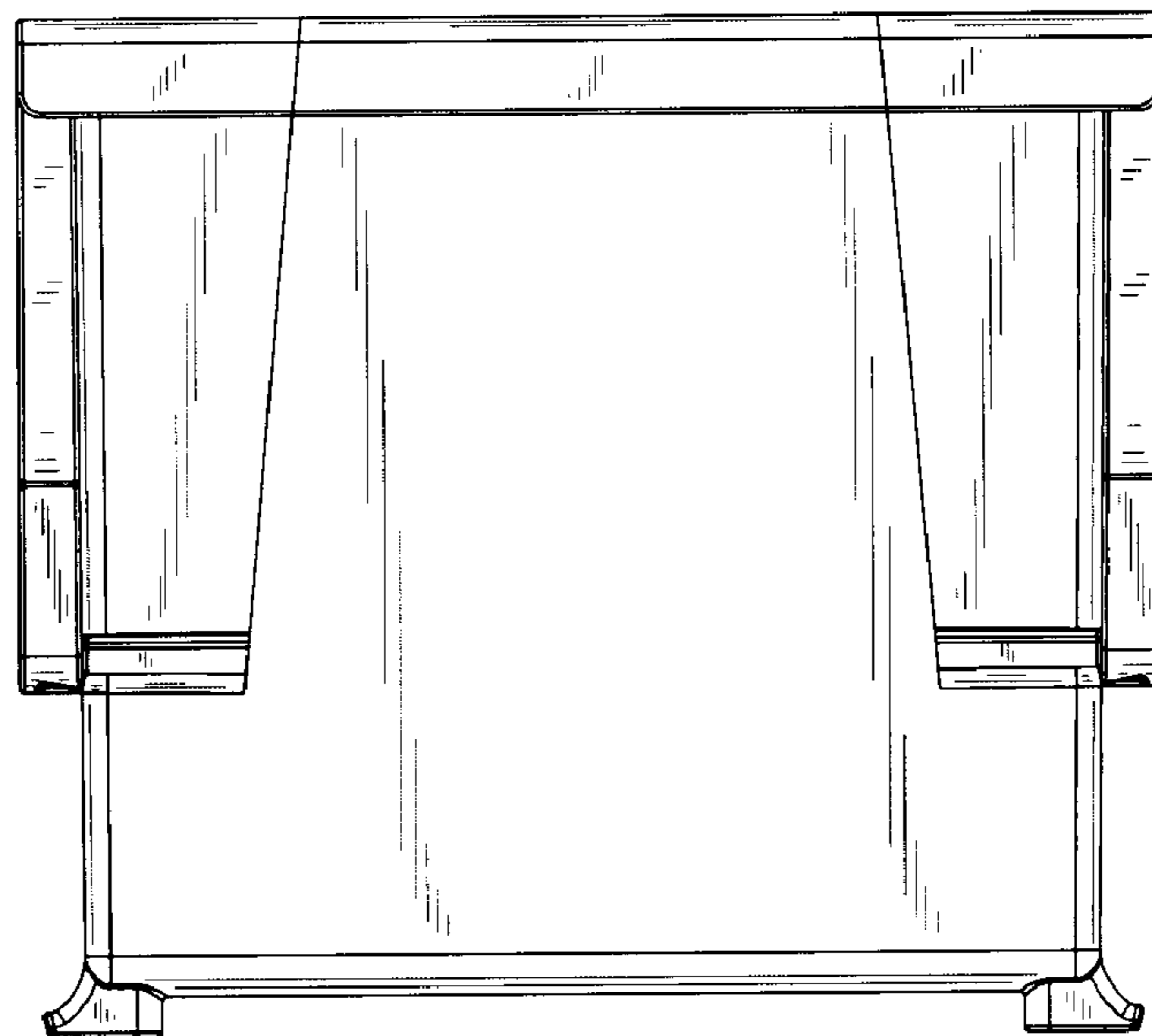


Fig. 3

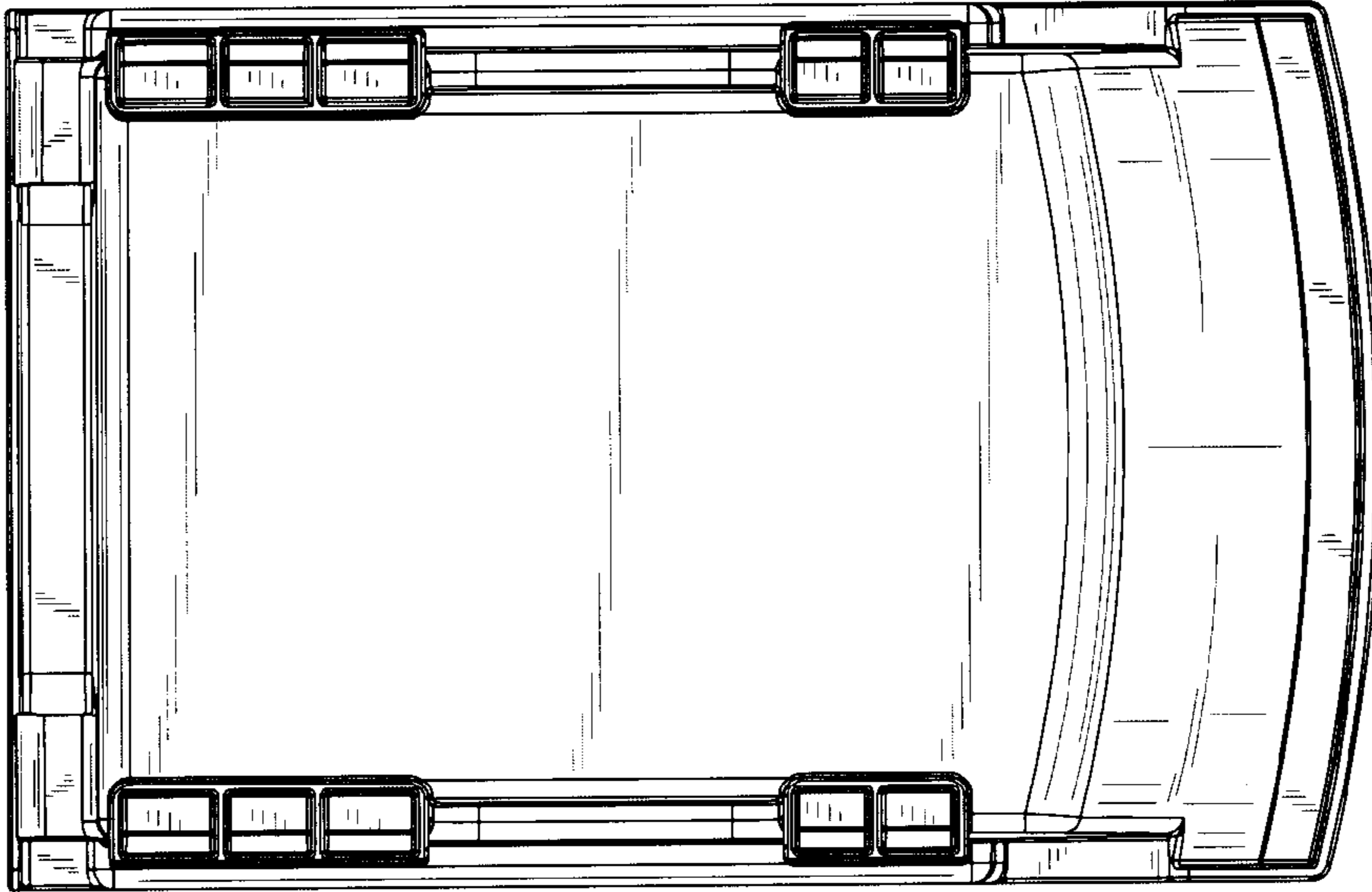


Fig. 5

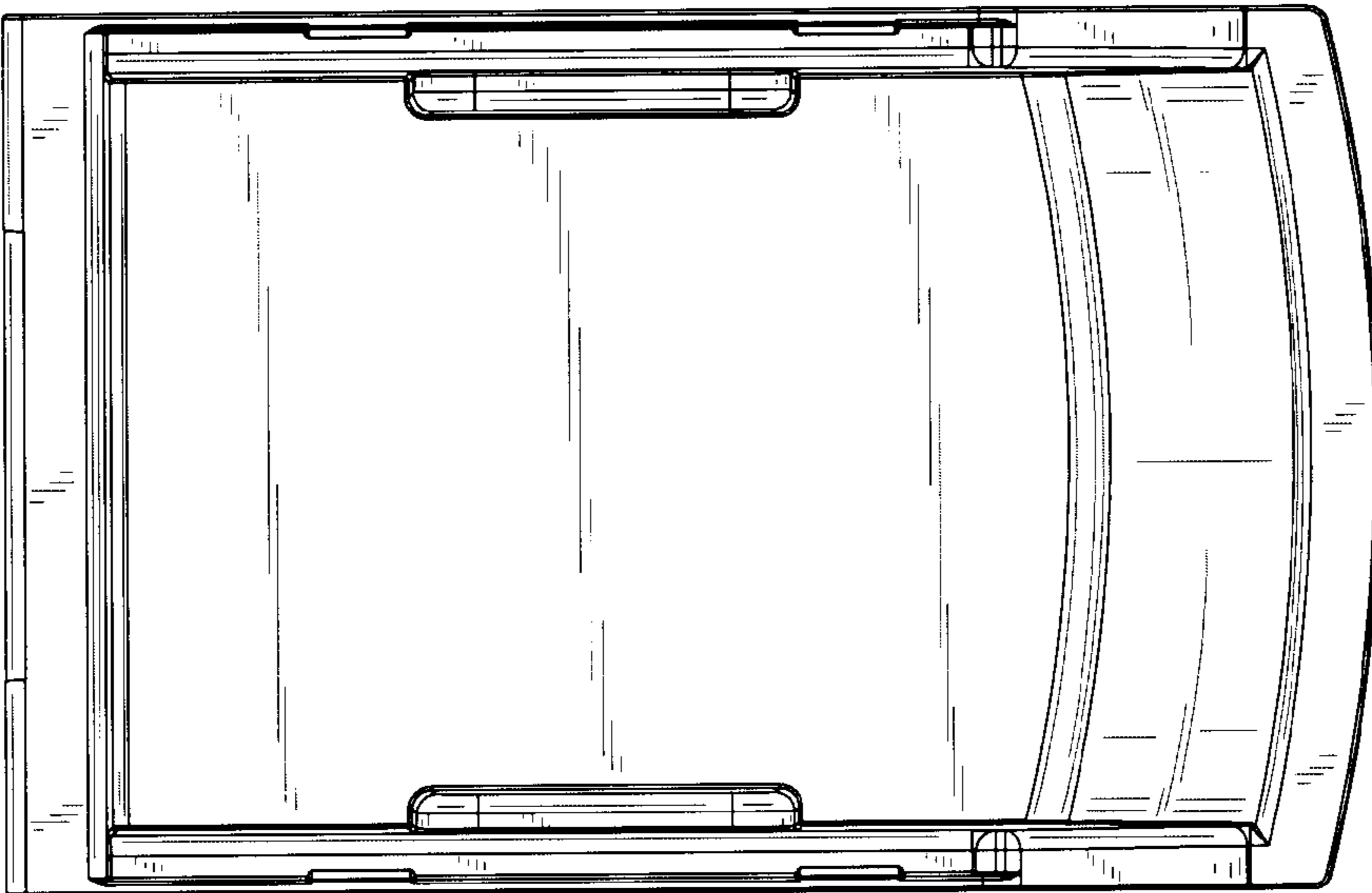


Fig. 4

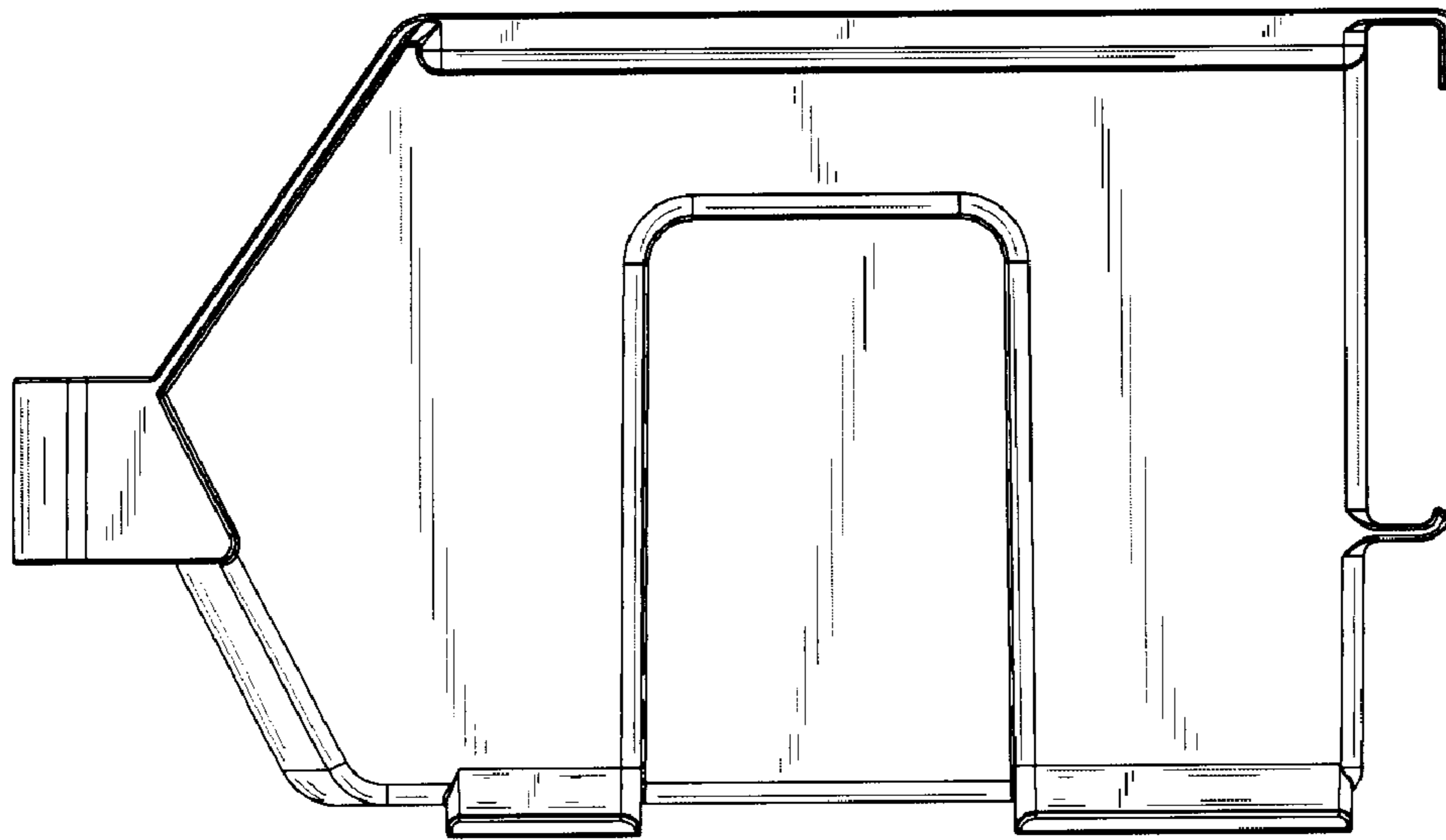


Fig. 6