

US00D517318S

(12) **United States Design Patent**
Ruybal

(10) **Patent No.: US D517,318 S**
(45) **Date of Patent: ** Mar. 21, 2006**

(54) **STORAGE CONTAINER FOR PACKAGED COLLECTIBLE ITEMS**

(76) Inventor: **Tim Ruybal**, 6155 W. 54th Ave.,
Arvada, CO (US) 80002

(**) Term: **14 Years**

(21) Appl. No.: **29/207,115**

(22) Filed: **Jun. 8, 2004**

(51) **LOC (8) Cl. 03-01**

(52) **U.S. Cl. D3/302; D3/273; D6/407;
D6/629; D6/631; D6/632**

(58) **Field of Classification Search D3/273,
D3/274, 276, 284, 289, 301, 302, 294, 903,
D3/203.1, 206; D6/407, 629, 630, 631, 632;
D19/86, 90; 206/449; D9/424**

See application file for complete search history.

(56) **References Cited**

U.S. PATENT DOCUMENTS

2,445,034	A	*	7/1948	Moore	229/203
D207,279	S	*	3/1967	Sellen	D3/206
D221,409	S	*	8/1971	Gerber	D6/631
D272,444	S	*	1/1984	Ohie	D14/335
4,779,730	A	*	10/1988	Hartsfield et al.	206/308.1
4,821,882	A	*	4/1989	Messina	206/387.15
D312,725	S	*	12/1990	Schubert	D6/629

* cited by examiner

Primary Examiner—Philip S. Hyder

Assistant Examiner—RoseLynne Ulm

(74) *Attorney, Agent, or Firm*—Lee G. Meyer, Esq.; Meyer & Associates, LLC

(57) **CLAIM**

The ornamental design for a storage container for packaged collectible items, as shown and described.

DESCRIPTION

FIG. 1 is a top perspective view of the closed storage container for package collectible items showing my new design;

FIG. 2 is an exploded perspective view of the storage container for packaged collectible items showing the lid positioned over the base.

FIG. 3 is a perspective view of the storage container for packaged collectible items in an open position with the lid on the right side and the base on the left.

FIG. 4 is a side view of the storage container for packaged collectible items in the closed position showing the lid on.

FIG. 5 is a side view of the storage container for packaged collectible items in the open position showing in the lid off with the base in the background and the lid in the foreground.

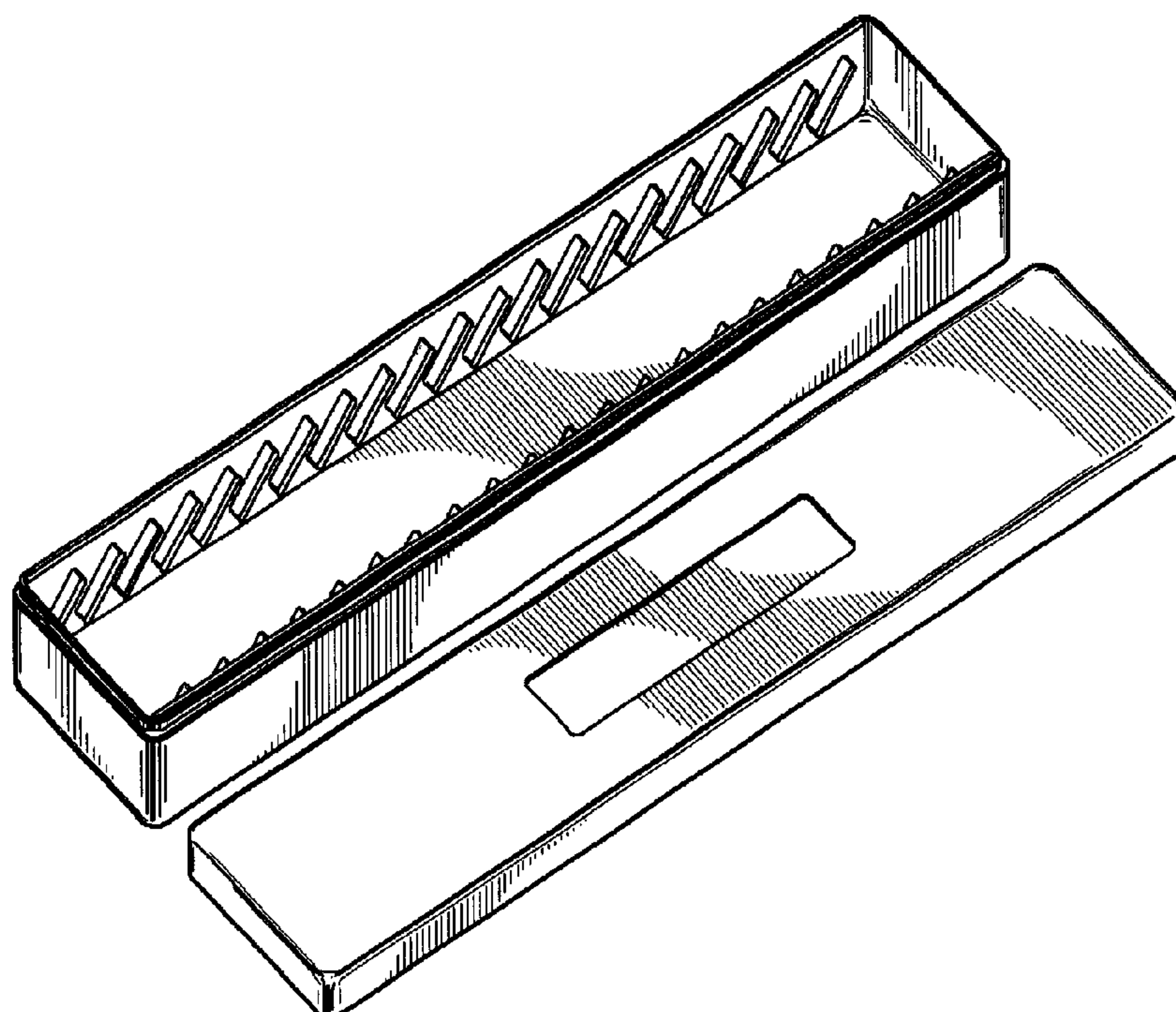
FIG. 6 is a top view of the storage container for packaged collectible items in an open position with the lid on the right side and the base on the left.

FIG. 7 is a bottom plan view of the storage container for packaged collectible items in the closed position.

FIG. 8 is a front end view of the storage container for packaged collectible items in an open position with the lid on the right side and the base on the left; and,

FIG. 9 is a back end view of the storage container for packaged collectible items in an open position with the lid on the left side and the base on the right.

1 Claim, 3 Drawing Sheets



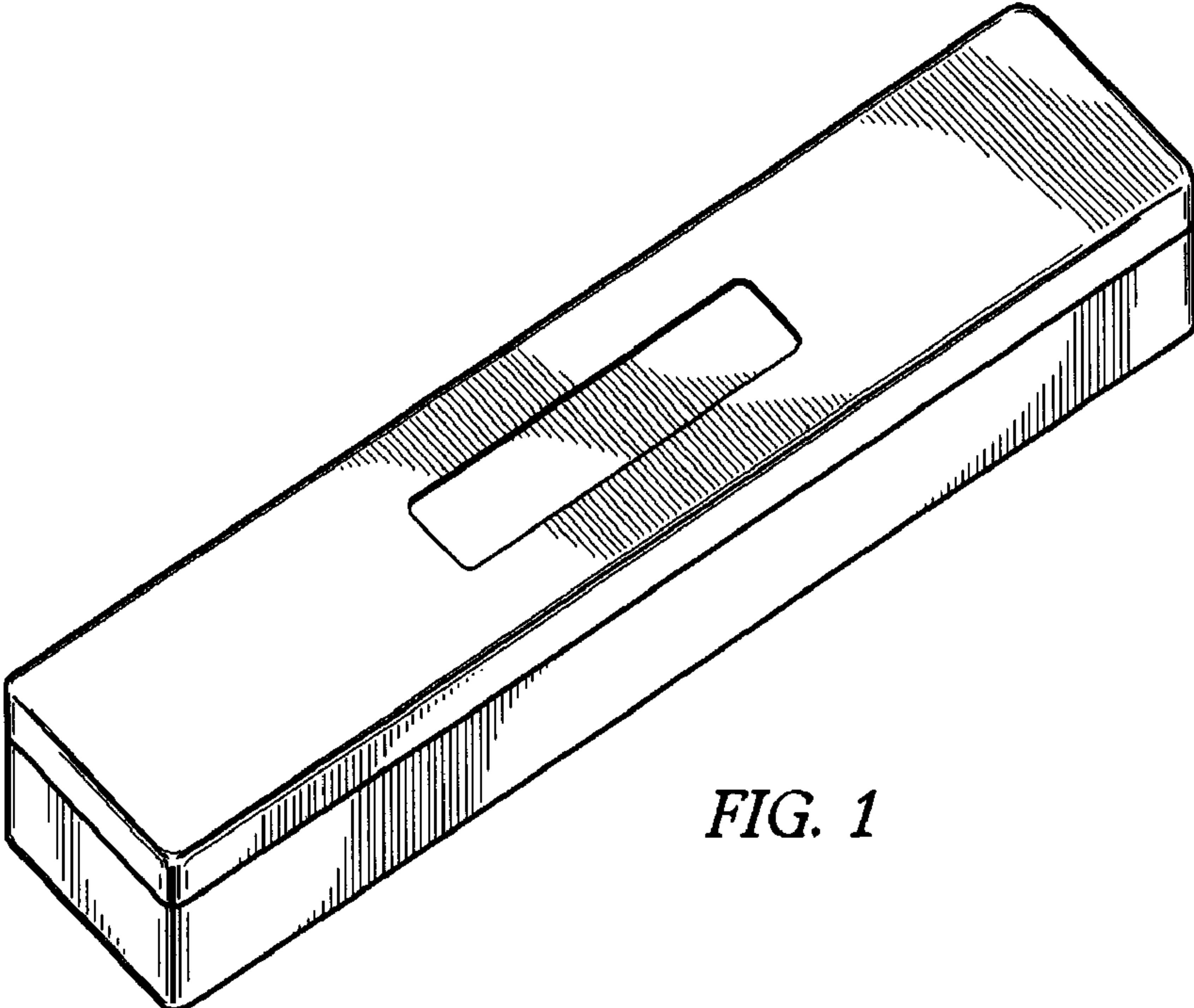


FIG. 1

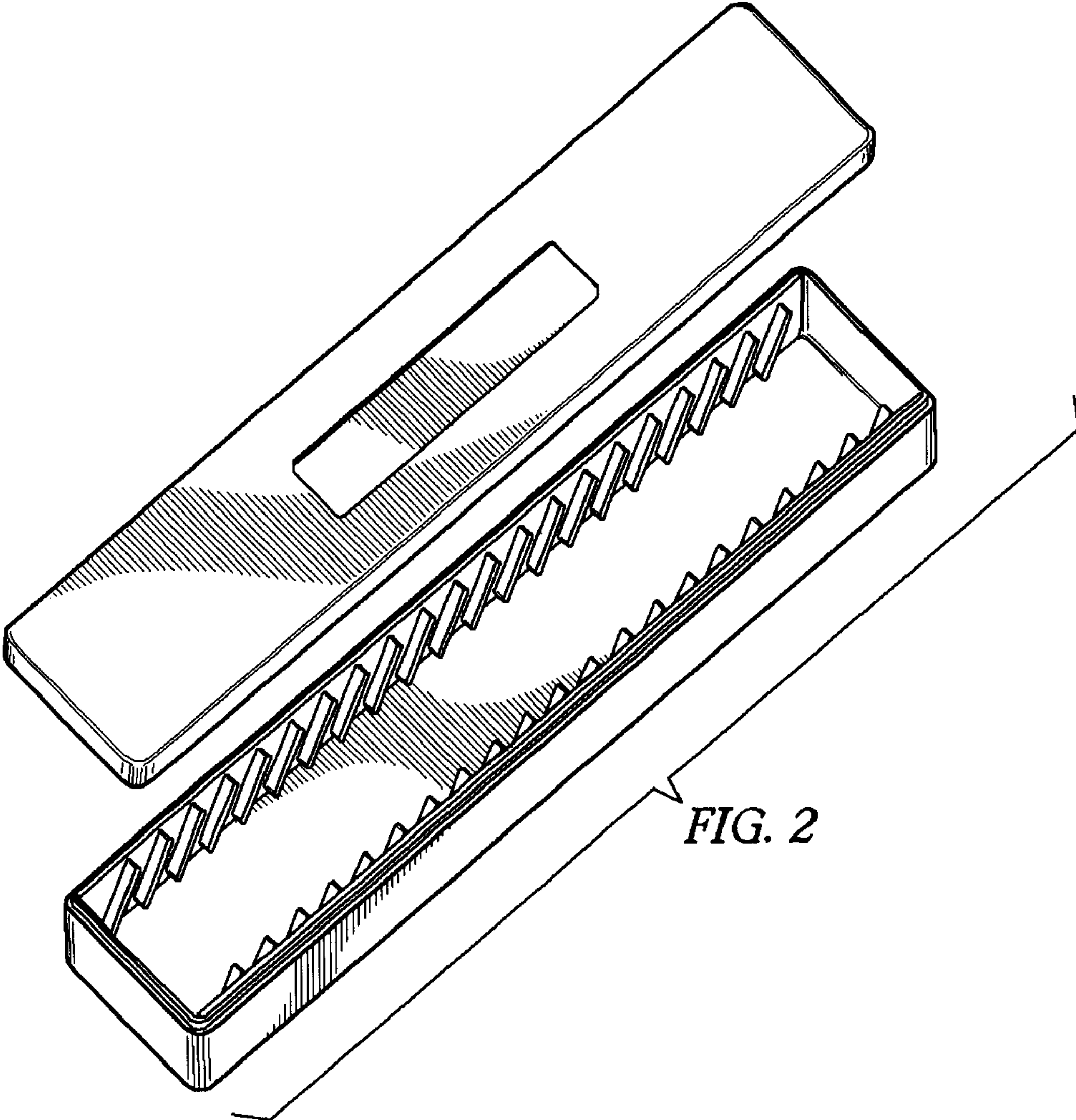


FIG. 2

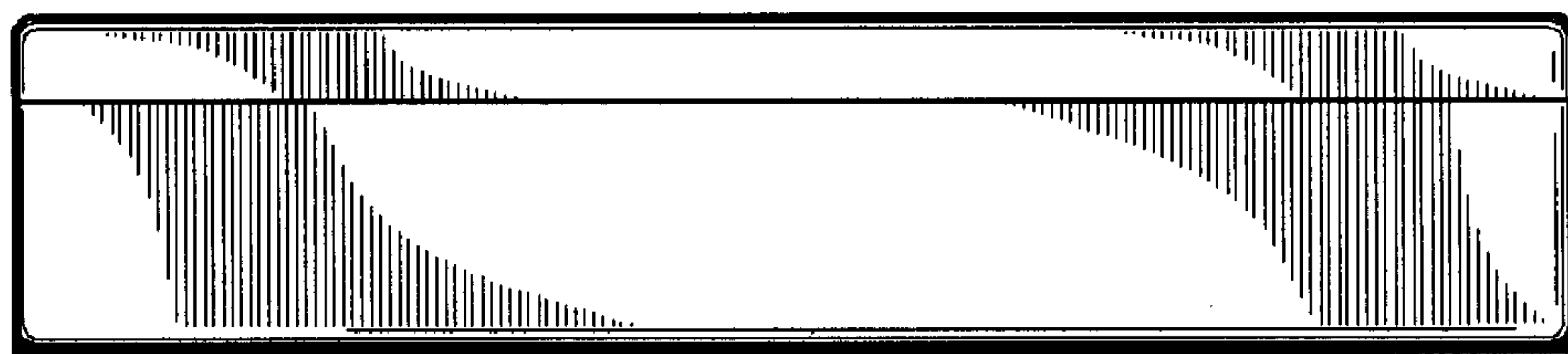
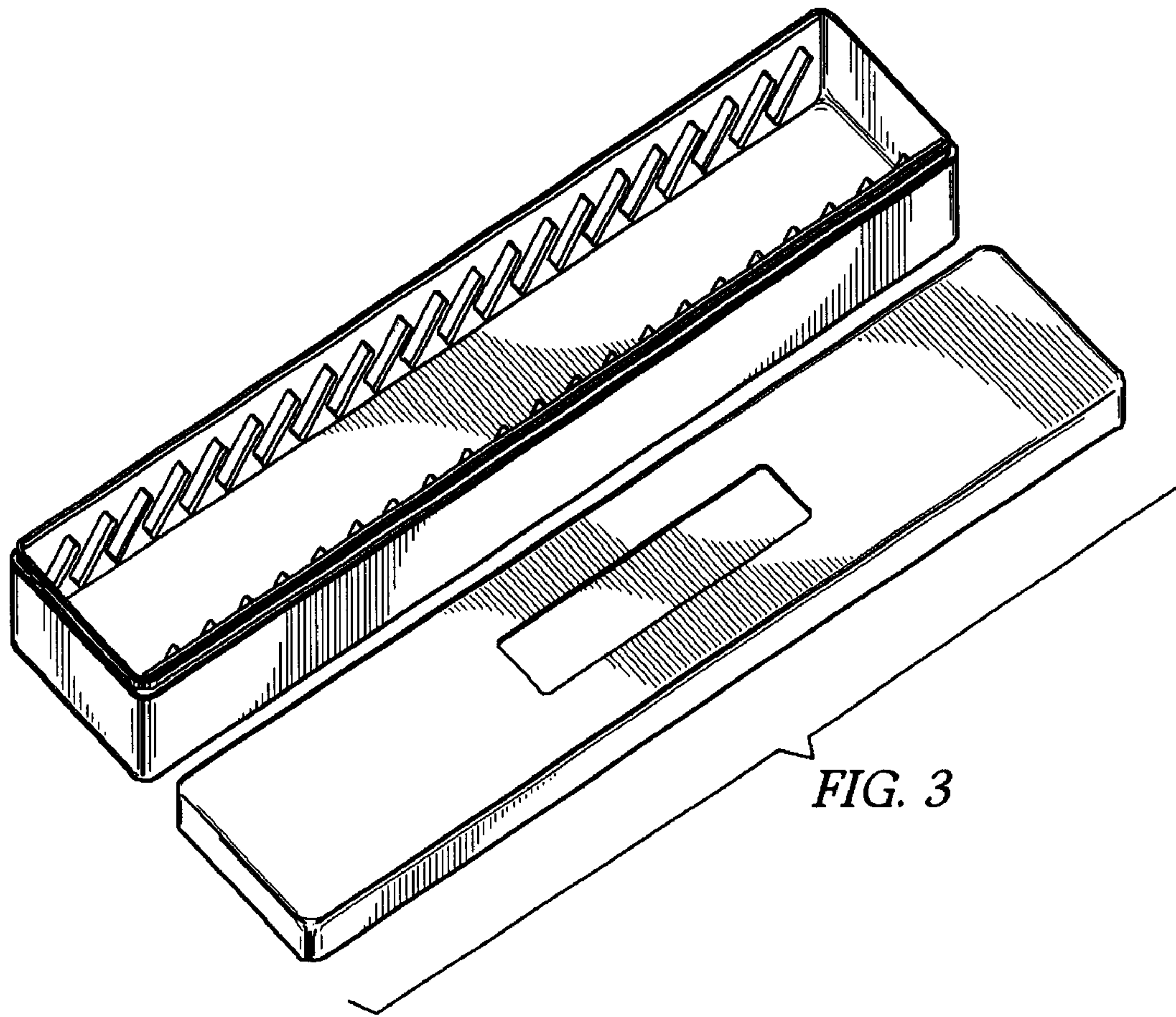


FIG. 4

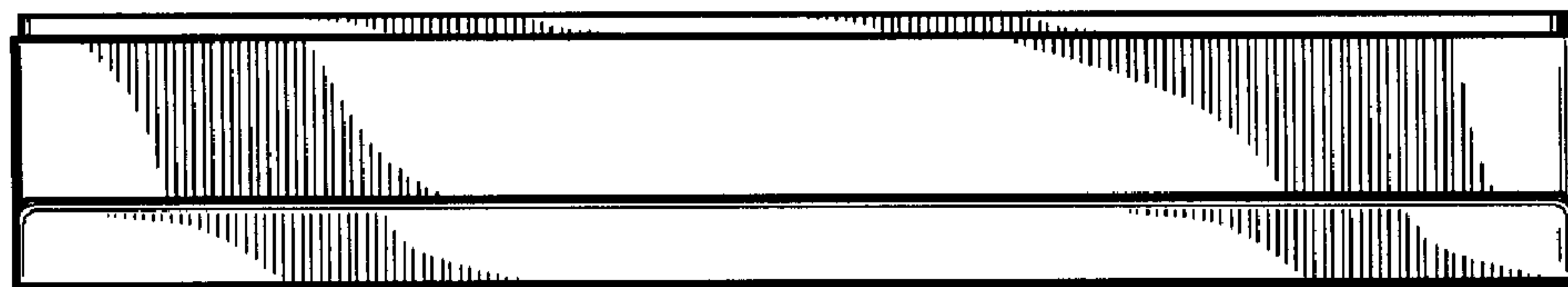


FIG. 5

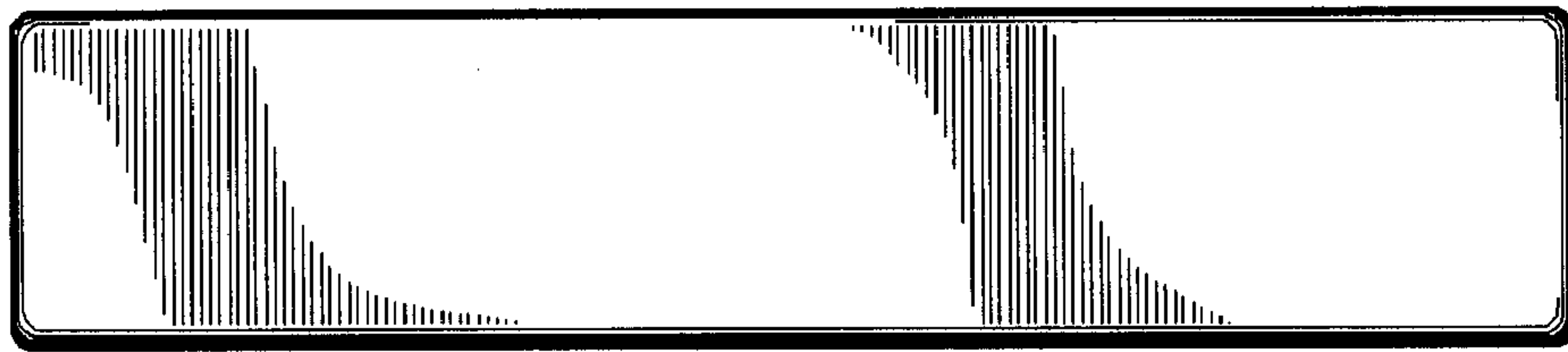
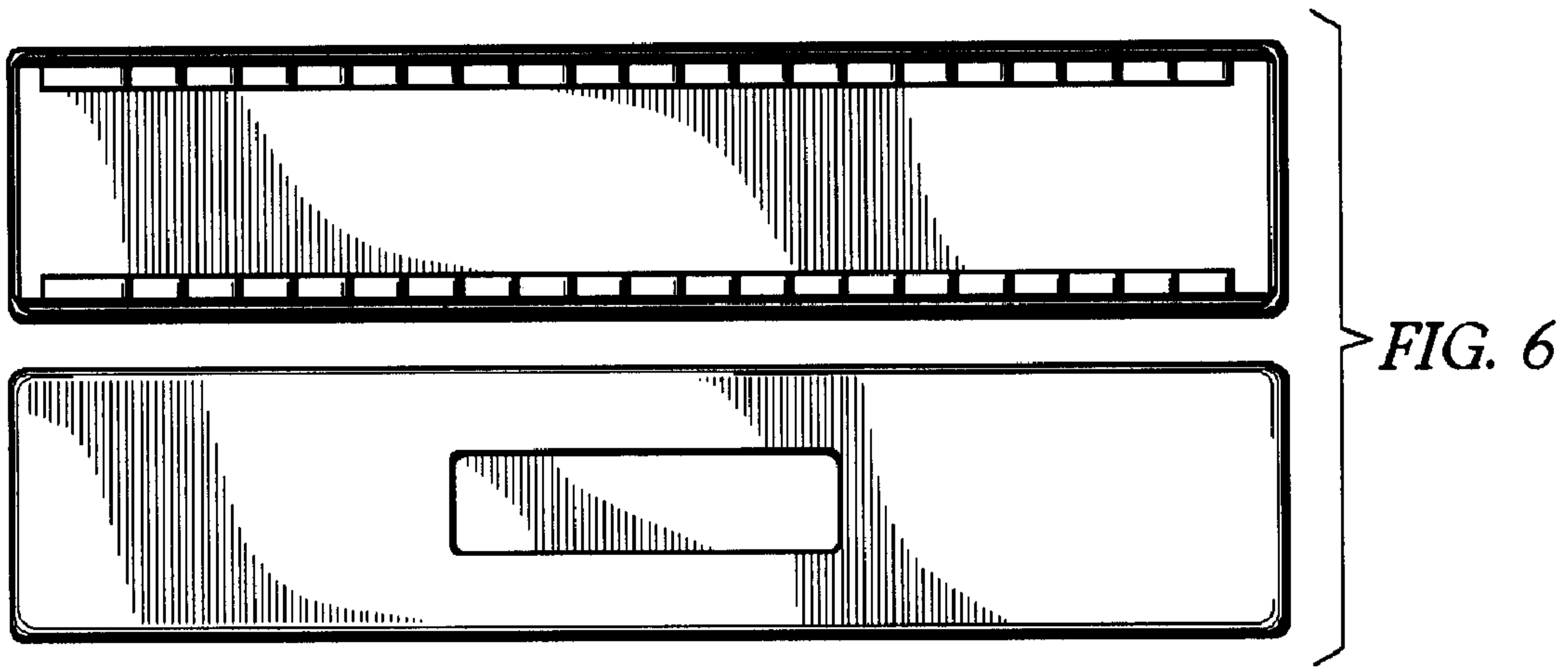


FIG. 7

