



US00D517315S

(12) **United States Design Patent**  
**Amin**

(10) **Patent No.:** **US D517,315 S**  
(45) **Date of Patent:** **\*\* Mar. 21, 2006**

(54) **ELECTRODE CONTAINER**

(76) Inventor: **Harish A. Amin**, 644 Port Patrick Pl.,  
Fort Mill, SC (US) 29715

(\*\*) Term: **14 Years**

(21) Appl. No.: **29/214,498**

(22) Filed: **Oct. 4, 2004**

(51) **LOC (8) Cl.** ..... **03-01**

(52) **U.S. Cl.** ..... **D3/273; D3/276; D3/905**

(58) **Field of Classification Search** ..... D3/273,  
D3/276, 287, 269, 294, 302, 905; D9/428;  
220/288; 206/443, 349, 372, 373; D27/173  
See application file for complete search history.

(56) **References Cited**

**U.S. PATENT DOCUMENTS**

D111,794 S	*	10/1938	Oswell	.....	D7/635
D228,490 S	*	10/1973	Bagguley et al.	.....	D9/556
D267,544 S	*	1/1983	Neto et al.	.....	D9/431
D276,285 S	*	11/1984	Tober et al.	.....	D3/300
D322,716 S	*	12/1991	Morris et al.	.....	D3/300
5,266,772 A	*	11/1993	Reed	.....	219/137 R
D353,044 S	*	12/1994	Riley	.....	D3/228
D424,754 S	*	5/2000	Lang	.....	D28/89

\* cited by examiner

*Primary Examiner*—Philip S. Hyder

(74) *Attorney, Agent, or Firm*—Moore & Van Allen PLLC;  
Michael G. Johnston

(57) **CLAIM**

The ornamental design for an electrode container, as shown and described.

**DESCRIPTION**

FIG. 1 is a perspective view of an electrode container showing my new design, in the open condition;

FIG. 2 is a front elevation view of the electrode container of FIG. 1, in the closed condition;

FIG. 3 is a rear elevation view of the electrode container of FIG. 1, in the closed condition;

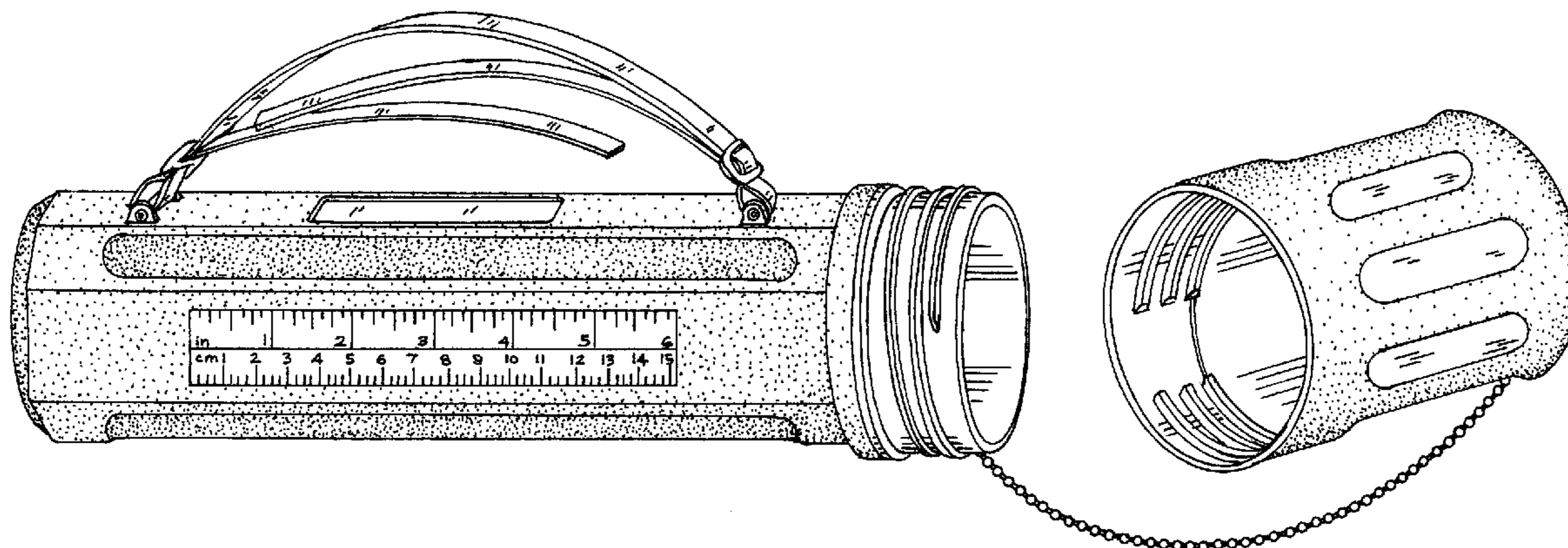
FIG. 4 is a top plan view of the electrode container of FIG. 1, in the closed condition;

FIG. 5 is a bottom plan view of the electrode container of FIG. 1, in the closed condition;

FIG. 6 is a left end elevation view of the electrode container of FIG. 1, in the closed condition; and,

FIG. 7 is a right end elevation view the electrode container of FIG. 1, in the closed condition.

**1 Claim, 5 Drawing Sheets**



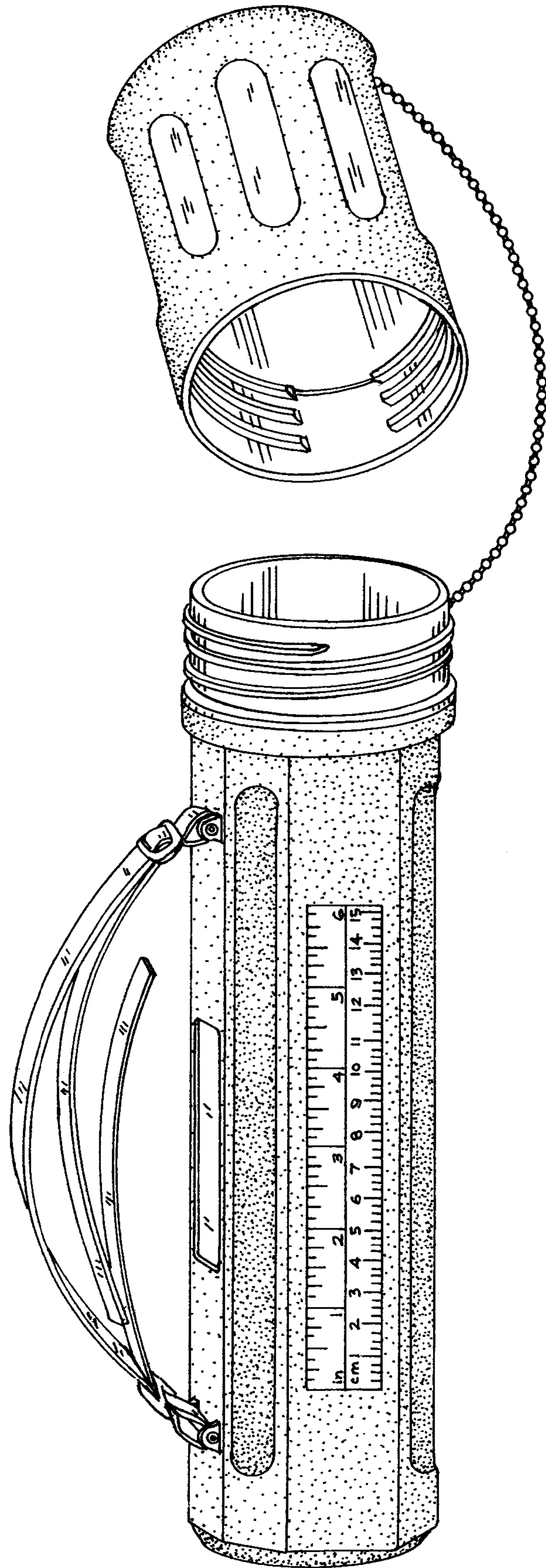


FIG. 1

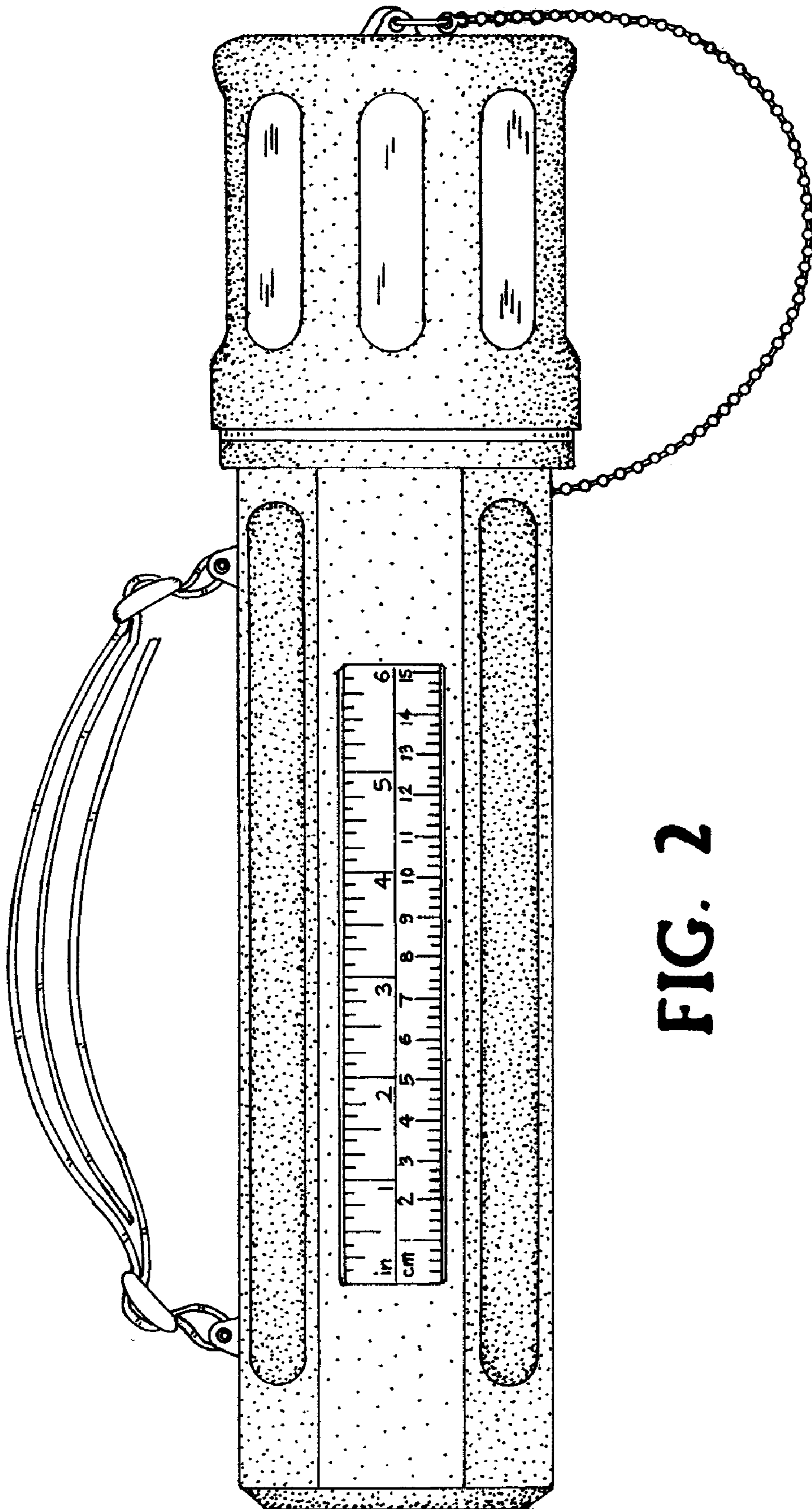


FIG. 2

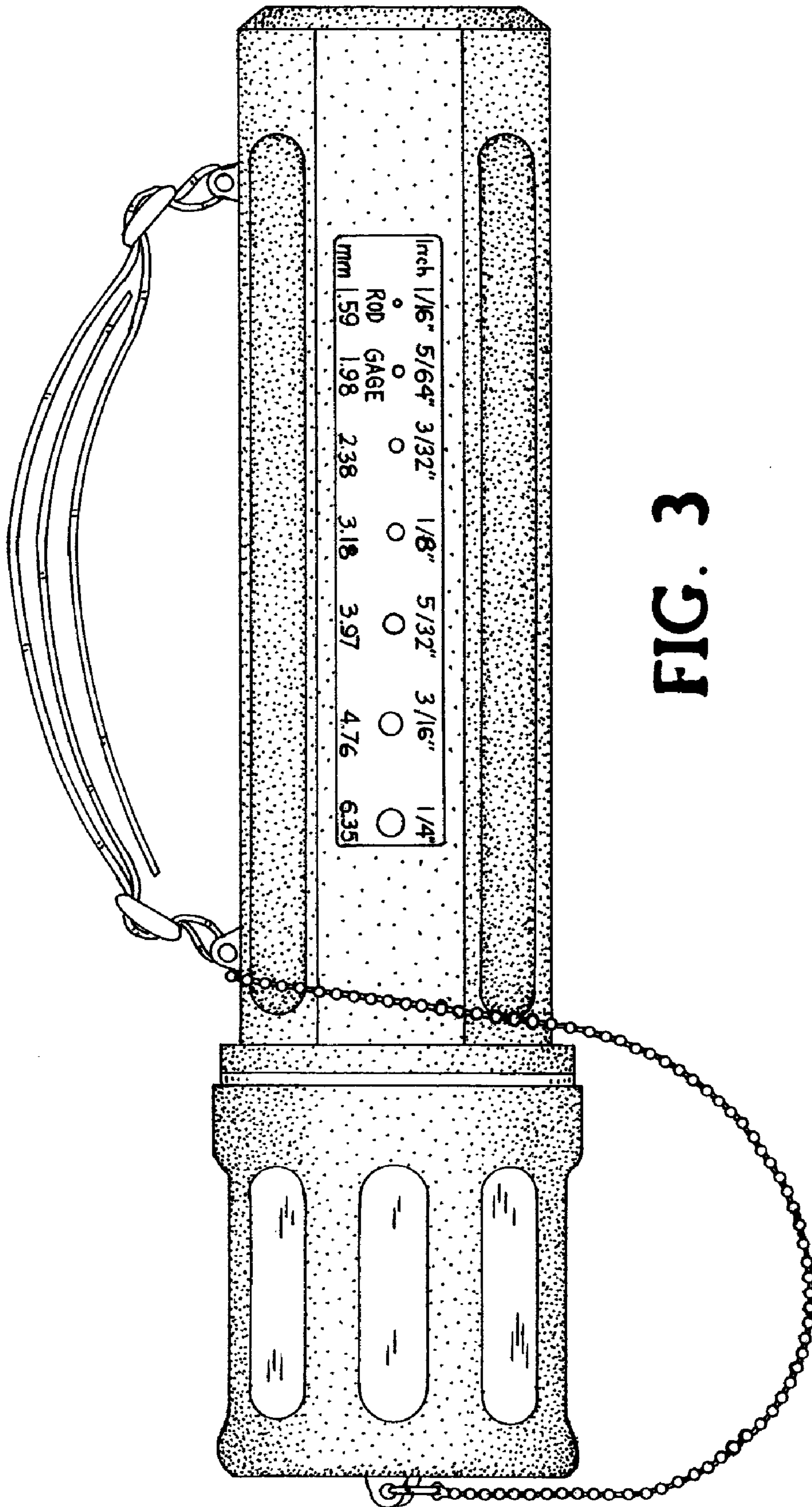
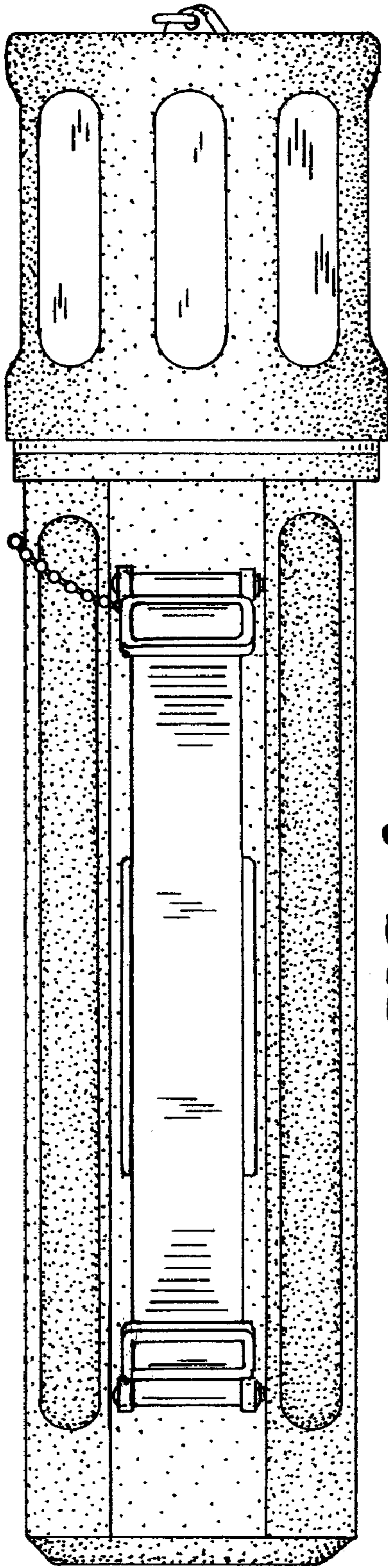
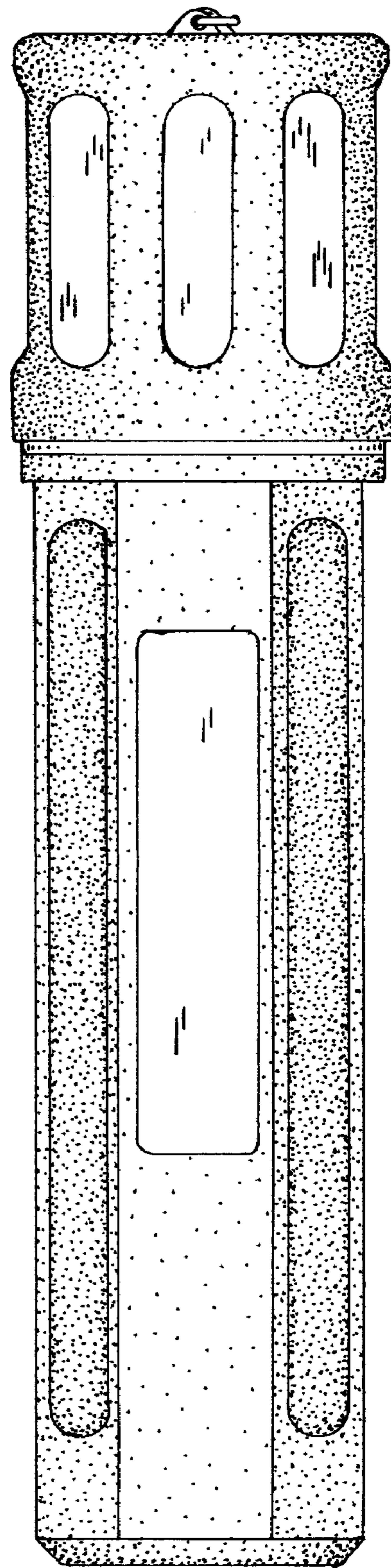


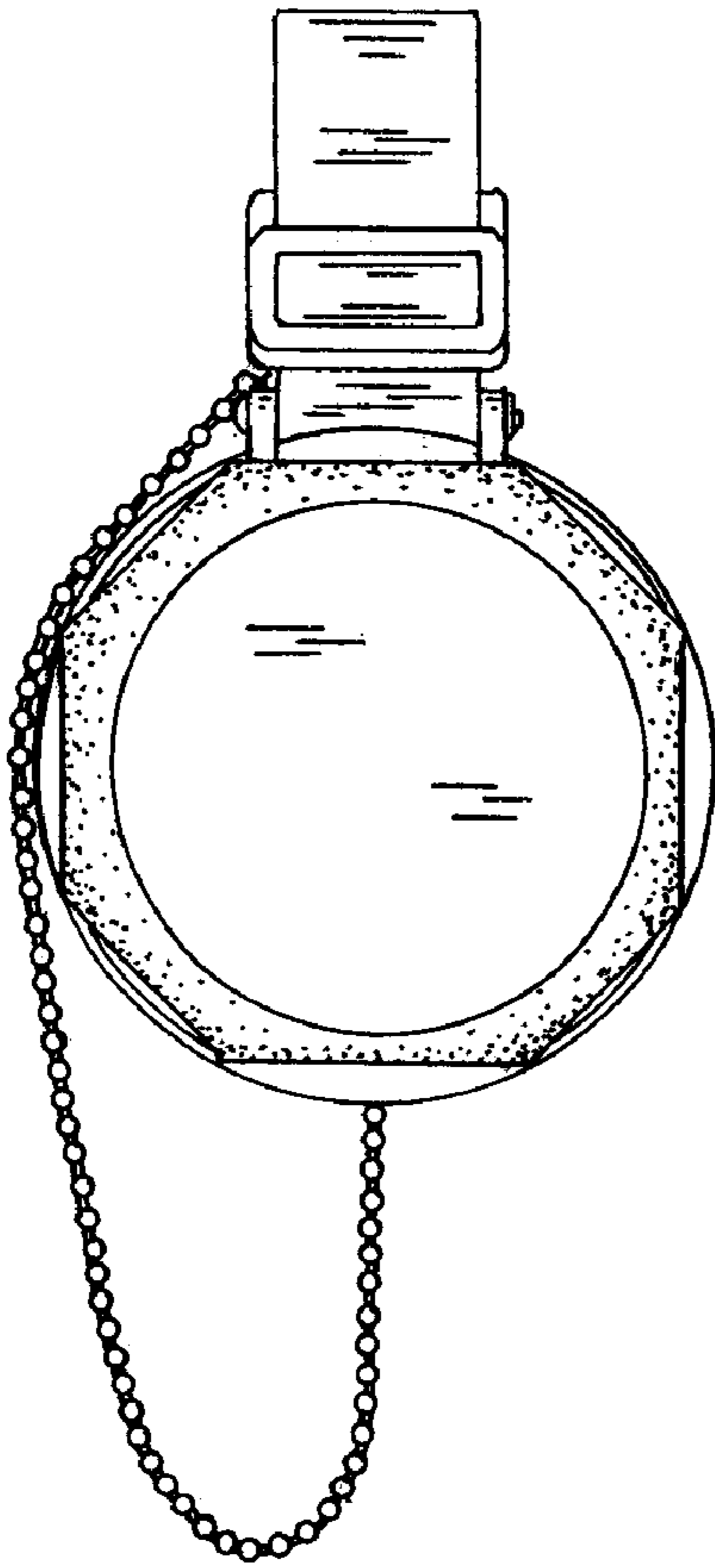
FIG. 3



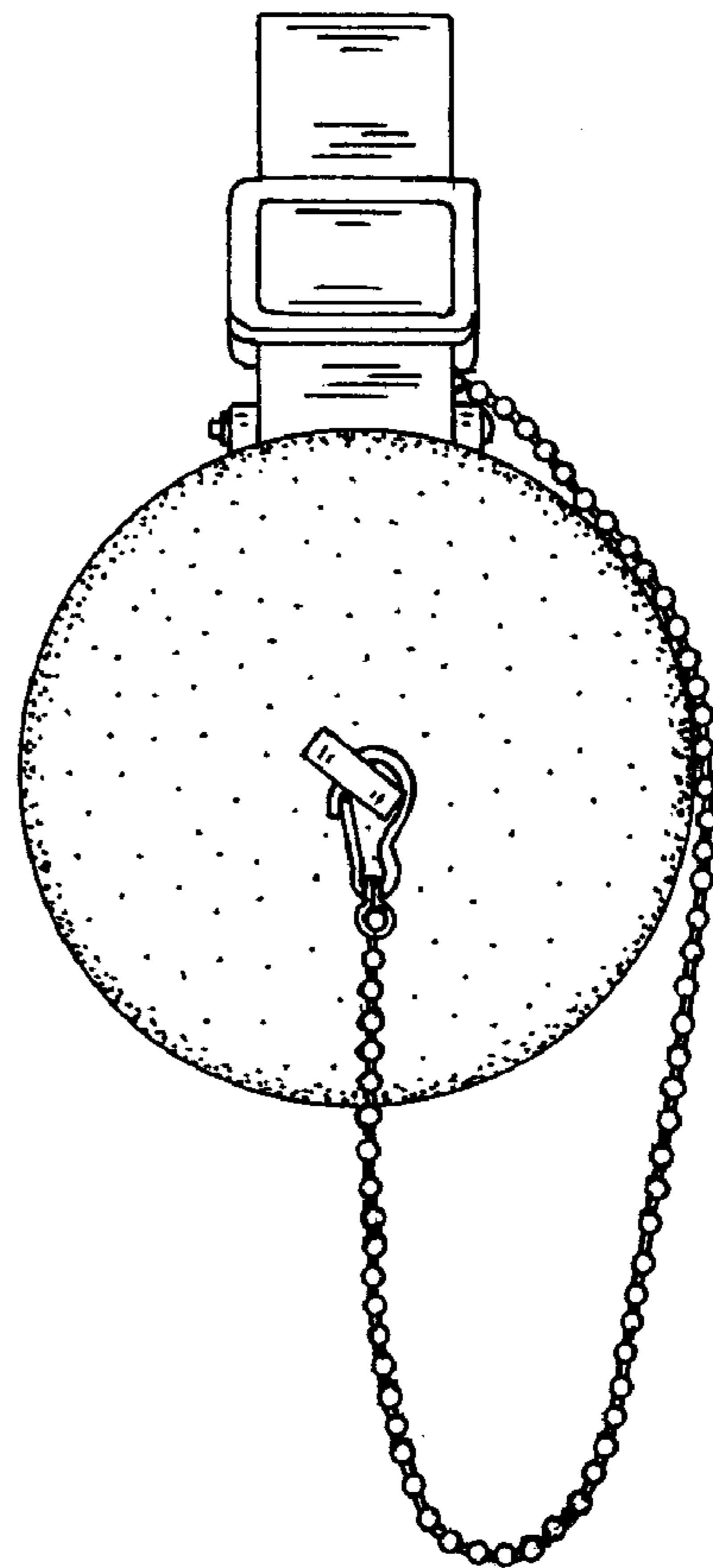
**FIG. 4**



**FIG. 5**



**FIG. 6**



**FIG. 7**