



US00D517314S

(12) **United States Design Patent**
Moyer

(10) **Patent No.: US D517,314 S**
(45) **Date of Patent: ** Mar. 21, 2006**

(54) **BOTTLE HOLDER**

(76) **Inventor: Kevin R. Moyer**, 117 Diamond St.,
Reading, PA (US) 19607

(**) **Term: 14 Years**

(21) **Appl. No.: 29/216,470**

(22) **Filed: Nov. 3, 2004**

(51) **LOC (8) Cl. 03-01**

(52) **U.S. Cl. D3/229; D7/620**

(58) **Field of Classification Search D3/215-230;**
D7/619.1-625, 708.1; 224/148.1-148.7,
224/250, 269, 674, 675, 901.4; 294/154
See application file for complete search history.

(56) **References Cited**

U.S. PATENT DOCUMENTS

2,524,639	A	*	10/1950	Saunders	294/154
4,071,175	A		1/1978	Wagnon	224/36
D293,857	S	*	1/1988	Stout et al.	D3/229
4,749,112	A		6/1988	Harper	224/42.45
4,957,254	A		9/1990	Hill et al.	248/207
D353,045	S		12/1994	Chandler	D3/229
5,407,110	A	*	4/1995	Marsh, Jr.	224/148.6
5,497,921	A	*	3/1996	Dancyger et al.	224/148.6
5,597,148	A		1/1997	Gospodarich	248/311.2
D382,483	S		8/1997	Flasch	D9/455
6,004,033	A		12/1999	Cirone	383/24

D419,392	S		1/2000	Schlebusch	D7/619
6,032,841	A		3/2000	Johnson	224/463
6,216,929	B1		4/2001	Bonard et al.	224/414
6,286,798	B1		9/2001	Chun	248/311.2
6,401,993	B1		6/2002	Andrino	224/148.5
6,505,802	B1		1/2003	Fowler	248/311.2
D473,760	S		4/2003	Perez	D7/620
6,726,069	B1		4/2004	Machover	224/148.7
D492,161	S		6/2004	Kaller et al.	D7/622

* cited by examiner

Primary Examiner—Terry A. Wallace

(74) *Attorney, Agent, or Firm*—Michael F. Petock, Esq.;
Petock & Petock, LLC

(57) **CLAIM**

The ornamental design for a bottle holder, as shown and described.

DESCRIPTION

FIG. 1 is a view in perspective of a bottle holder showing my new design;

FIG. 2 is a front elevation view thereof;

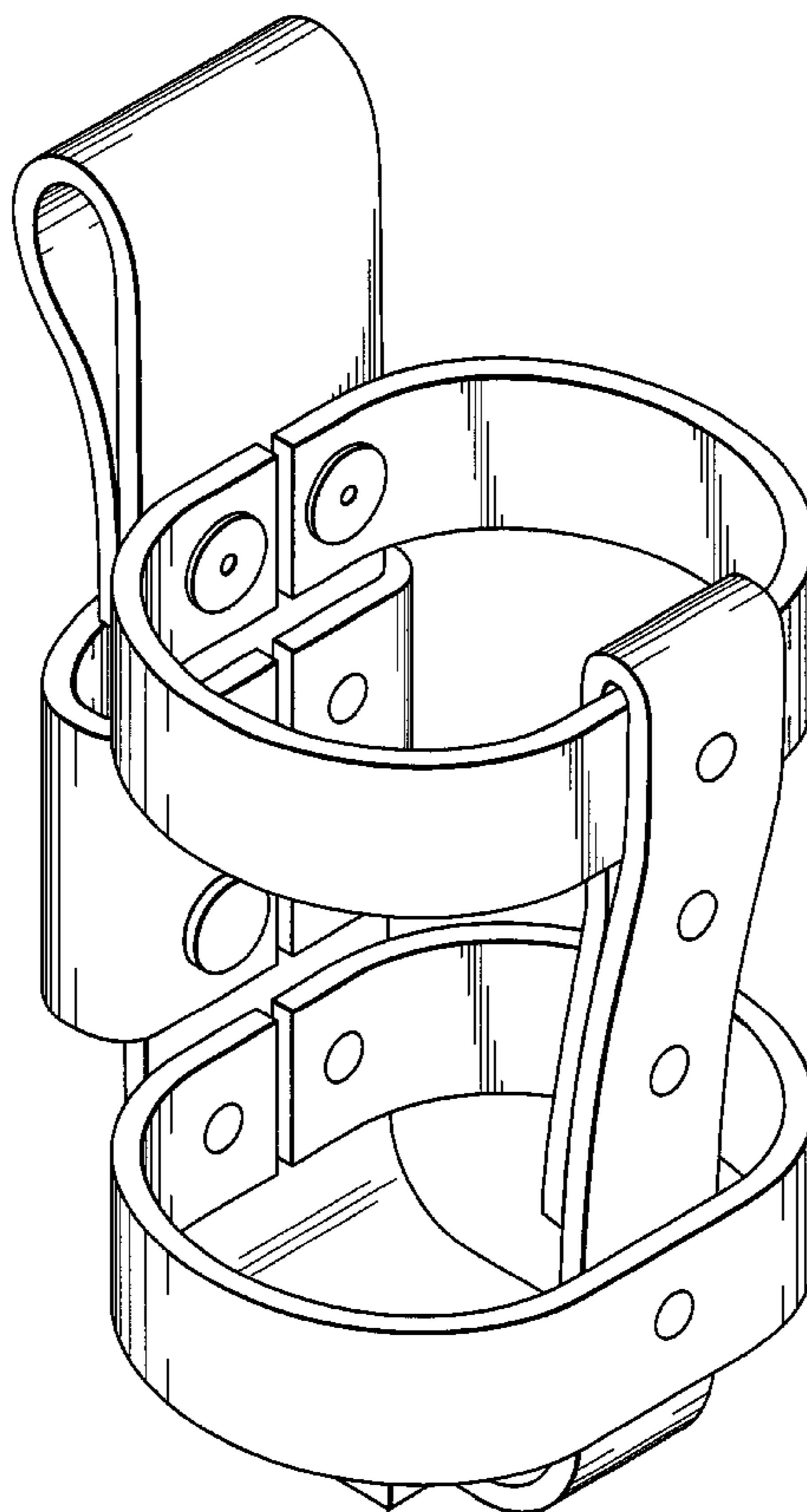
FIG. 3 is a left side elevation view thereof, the right side being a mirror image;

FIG. 4 is a rear elevation view thereof;

FIG. 5 is a top plan view thereof; and,

FIG. 6 is a bottom plan view thereof.

1 Claim, 3 Drawing Sheets



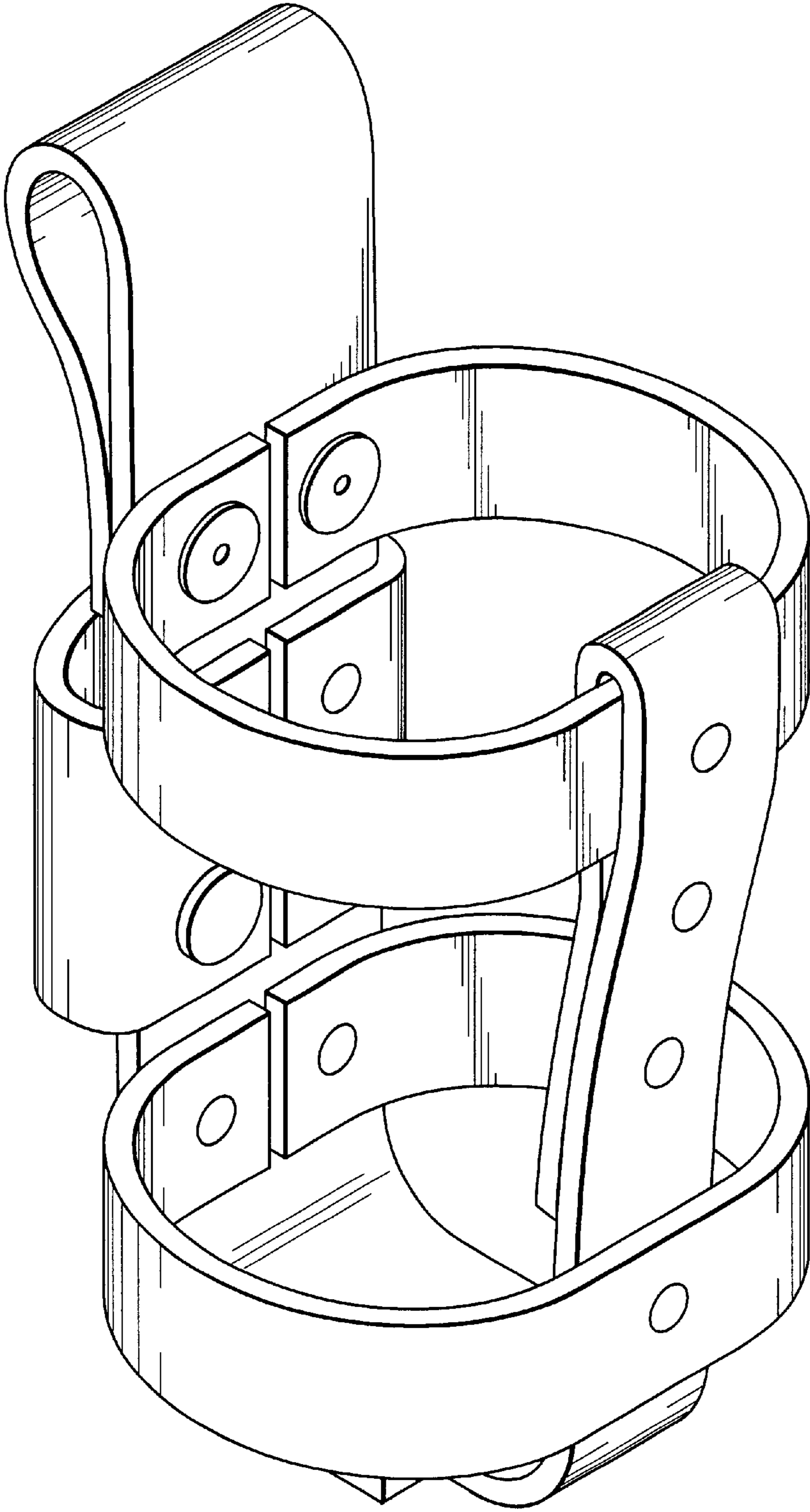


FIG. 1

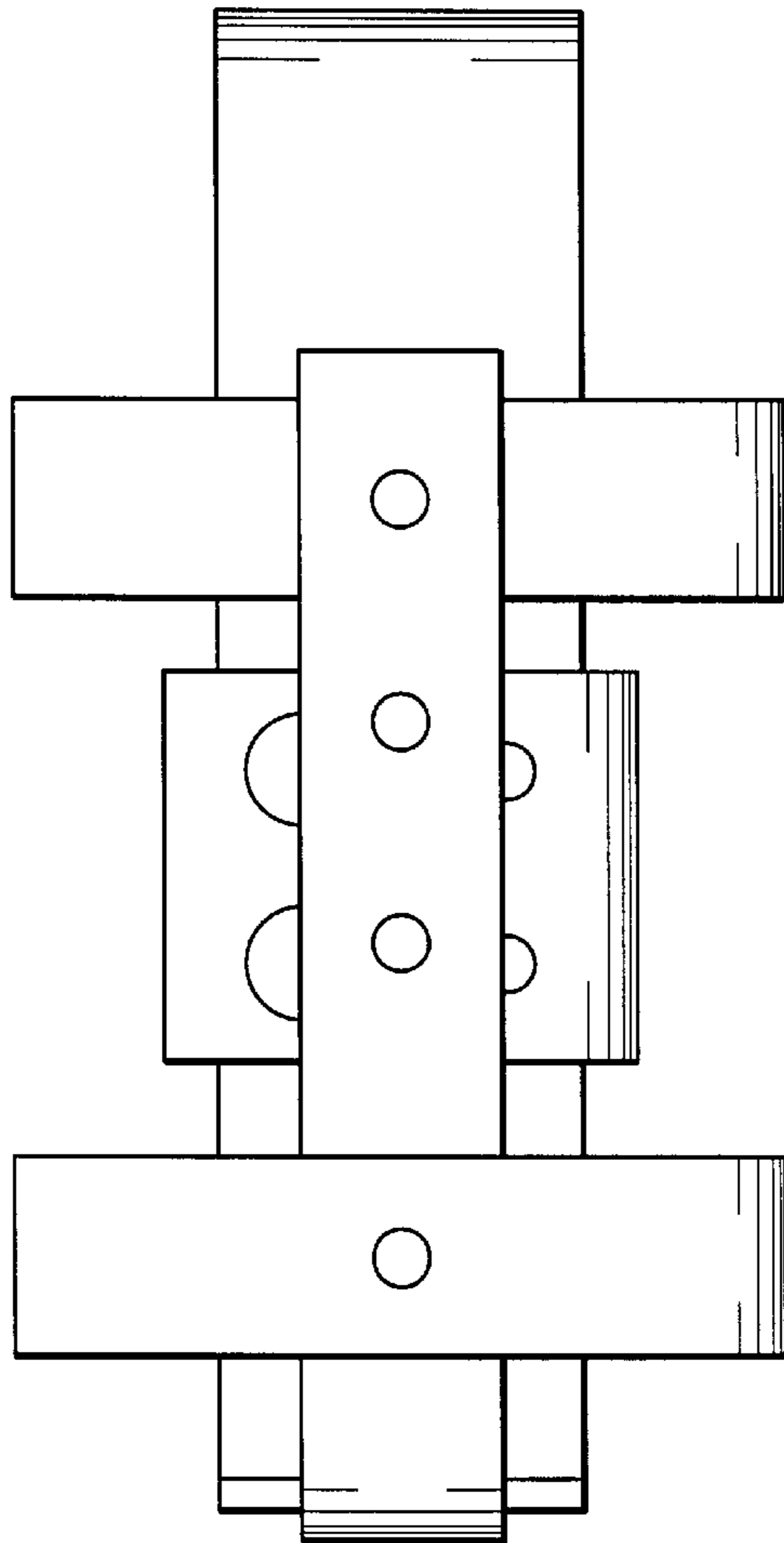


FIG. 2

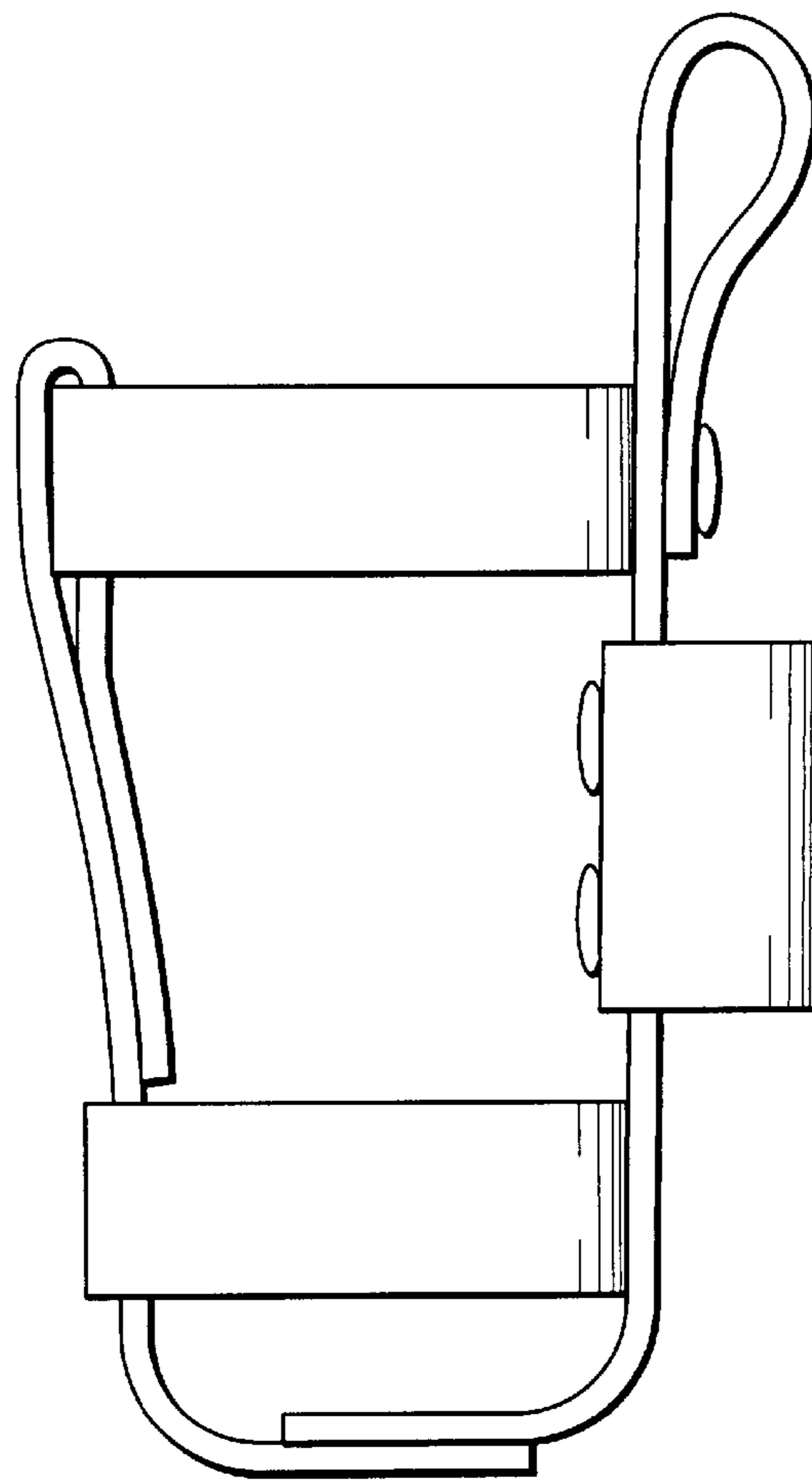


FIG. 3

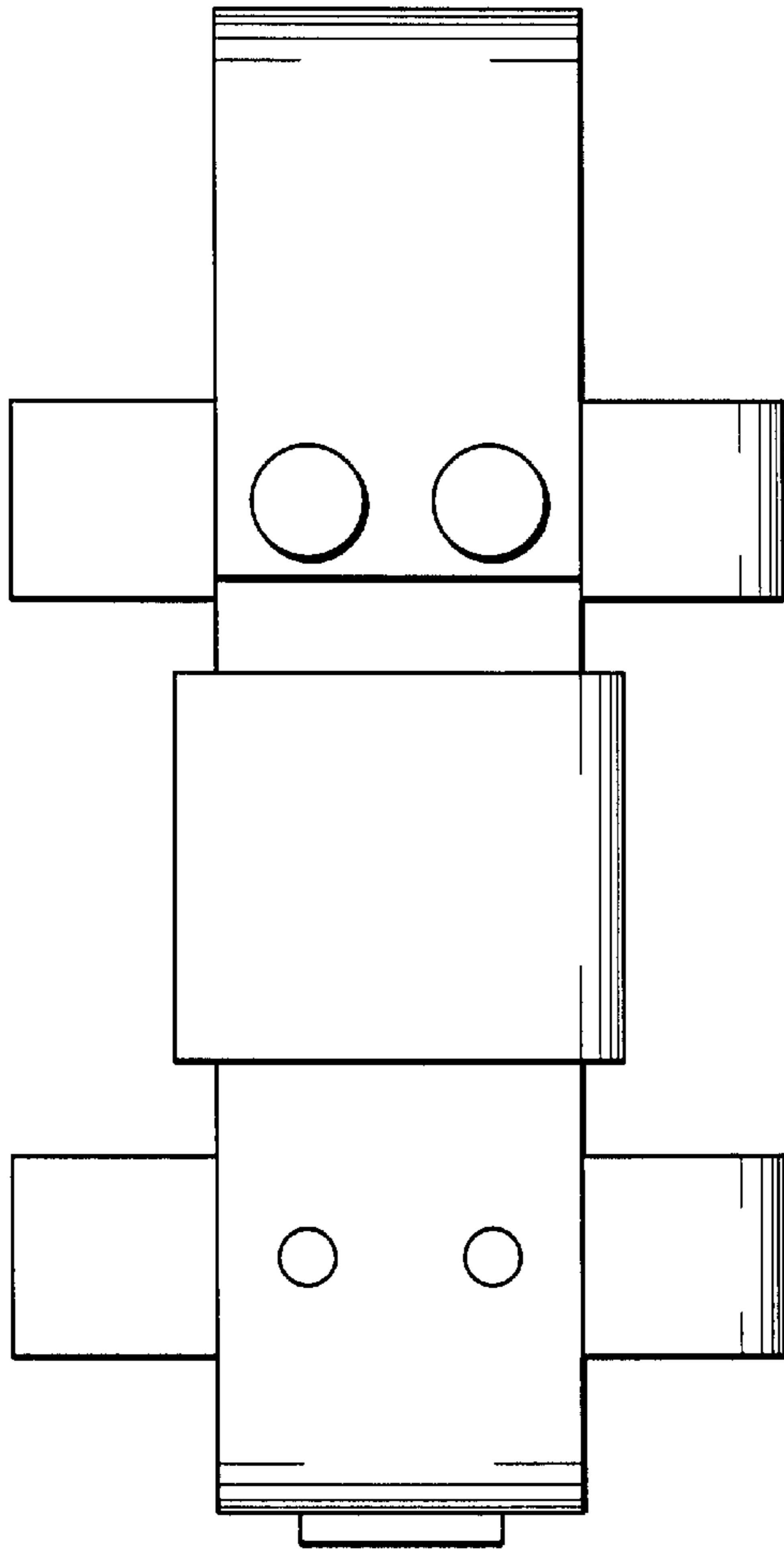


FIG. 4

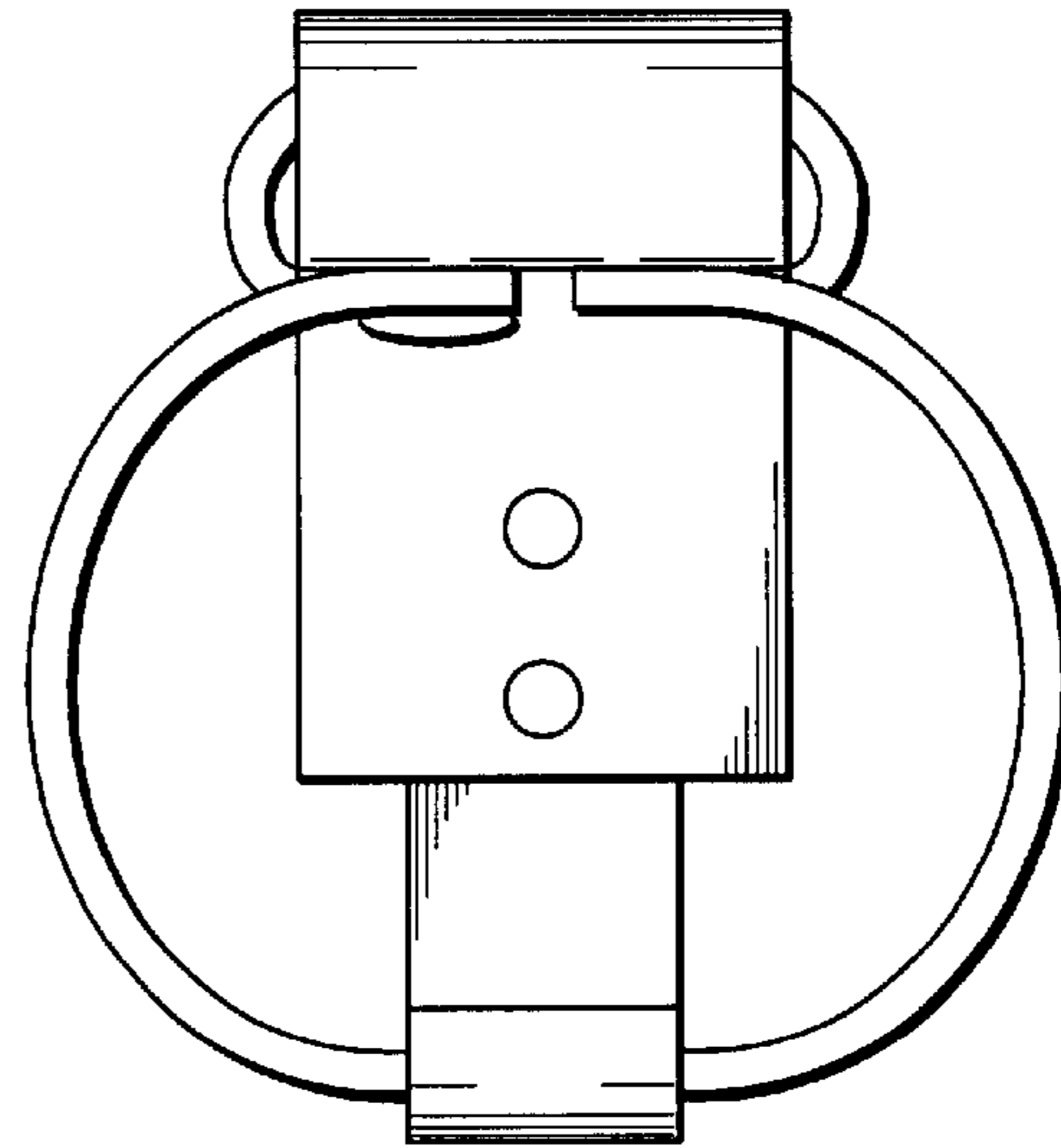


FIG. 5

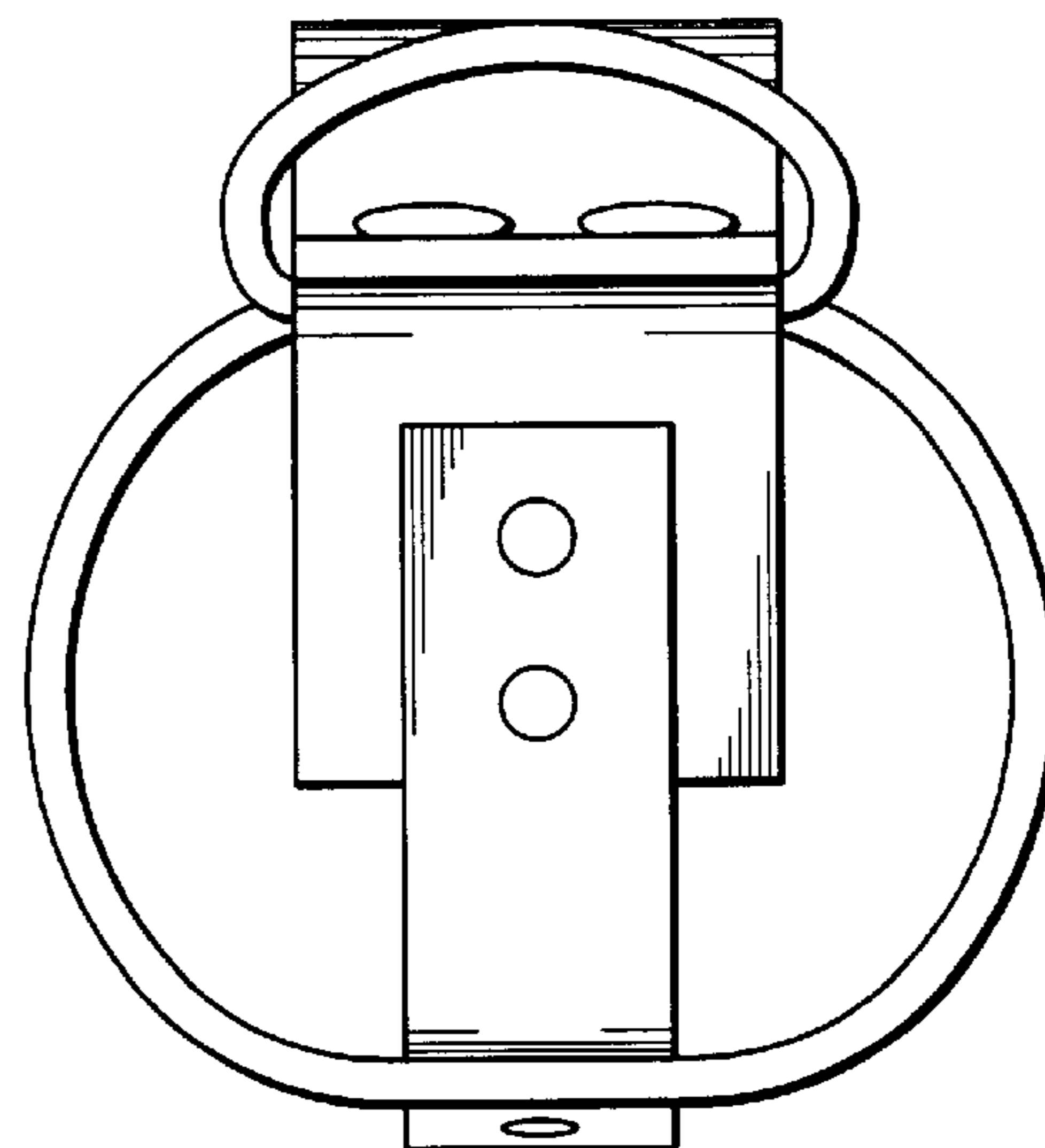


FIG. 6