



US00D517310S

(12) **United States Design Patent** (10) **Patent No.:** **US D517,310 S**
Aron et al. (45) **Date of Patent:** **** Mar. 21, 2006**

(54) **HOLSTER FOR A COMMUNICATION DEVICE**

(75) Inventors: **Adam R. Aron**, Fort Lauderdale, FL (US); **Paul M. Greco**, Parkland, FL (US); **Katherine A. Overby**, Boynton Beach, FL (US); **Kevin D. Page**, West Palm Beach, FL (US); **Chris Green**, Sunnyvale, CA (US)

(73) Assignee: **Motorola, Inc.**, Schaumburg, IL (US)

(**) Term: **14 Years**

(21) Appl. No.: **29/206,978**

(22) Filed: **Jun. 7, 2004**

(51) **LOC (8) Cl.** **03-01**

(52) **U.S. Cl.** **D3/218**

(58) **Field of Classification Search** D3/218;
D14/248, 253, 138, 185, 251-252; 455/575.1-575.8;
379/446, 455; 224/640, 646, 940

See application file for complete search history.

(56) **References Cited**

U.S. PATENT DOCUMENTS

6,345,751 B1	*	2/2002	Elliot	224/646
D457,309 S	*	5/2002	Tanaka	D3/218
D466,287 S	*	12/2002	Tanaka	D3/218
D496,529 S	*	9/2004	Gotou	D3/218
D497,049 S		10/2004	Lodato et al.	D3/218
D497,713 S	*	11/2004	Lodato et al.	D3/218
D497,714 S	*	11/2004	To	D3/218
D499,544 S		12/2004	Lodato et al.	D3/218
D502,313 S		3/2005	Lodato et al.	D3/218

* cited by examiner

Primary Examiner—Catherine R. Oliver
(74) *Attorney, Agent, or Firm*—Design IP

(57) **CLAIM**

The ornamental design for a holster for a communication device, as shown and described.

DESCRIPTION

FIG. 1 is an isometric view of a first embodiment of a holster for a communication device showing our new design.

FIG. 2 is a front orthographic view thereof.

FIG. 3 is a rear orthographic view thereof.

FIG. 4 is a left side orthographic view thereof.

FIG. 5 is a right side orthographic view thereof.

FIG. 6 is a top orthographic view thereof.

FIG. 7 is a bottom orthographic view thereof.

FIG. 8 is an isometric view of a second embodiment of a holster for a communication device showing our new design.

FIG. 9 is a front orthographic view thereof.

FIG. 10 is a rear orthographic view thereof.

FIG. 11 is a left side orthographic view thereof.

FIG. 12 is a right side orthographic view thereof.

FIG. 13 is a top orthographic view thereof.

FIG. 14 is a bottom orthographic view thereof.

FIG. 15 is an isometric view of a third embodiment of a holster for a communication device showing our new design.

FIG. 16 is a front orthographic view thereof.

FIG. 17 is a rear orthographic view thereof.

FIG. 18 is a left side orthographic view thereof.

FIG. 19 is a right side orthographic view thereof.

FIG. 20 is a top orthographic view thereof.

FIG. 21 is a bottom orthographic view thereof.

FIG. 22 is an isometric view of a fourth embodiment of a holster for a communication device showing our new design.

FIG. 23 is a front orthographic view thereof.

FIG. 24 is a rear orthographic view thereof.

FIG. 25 is a left side orthographic view thereof.

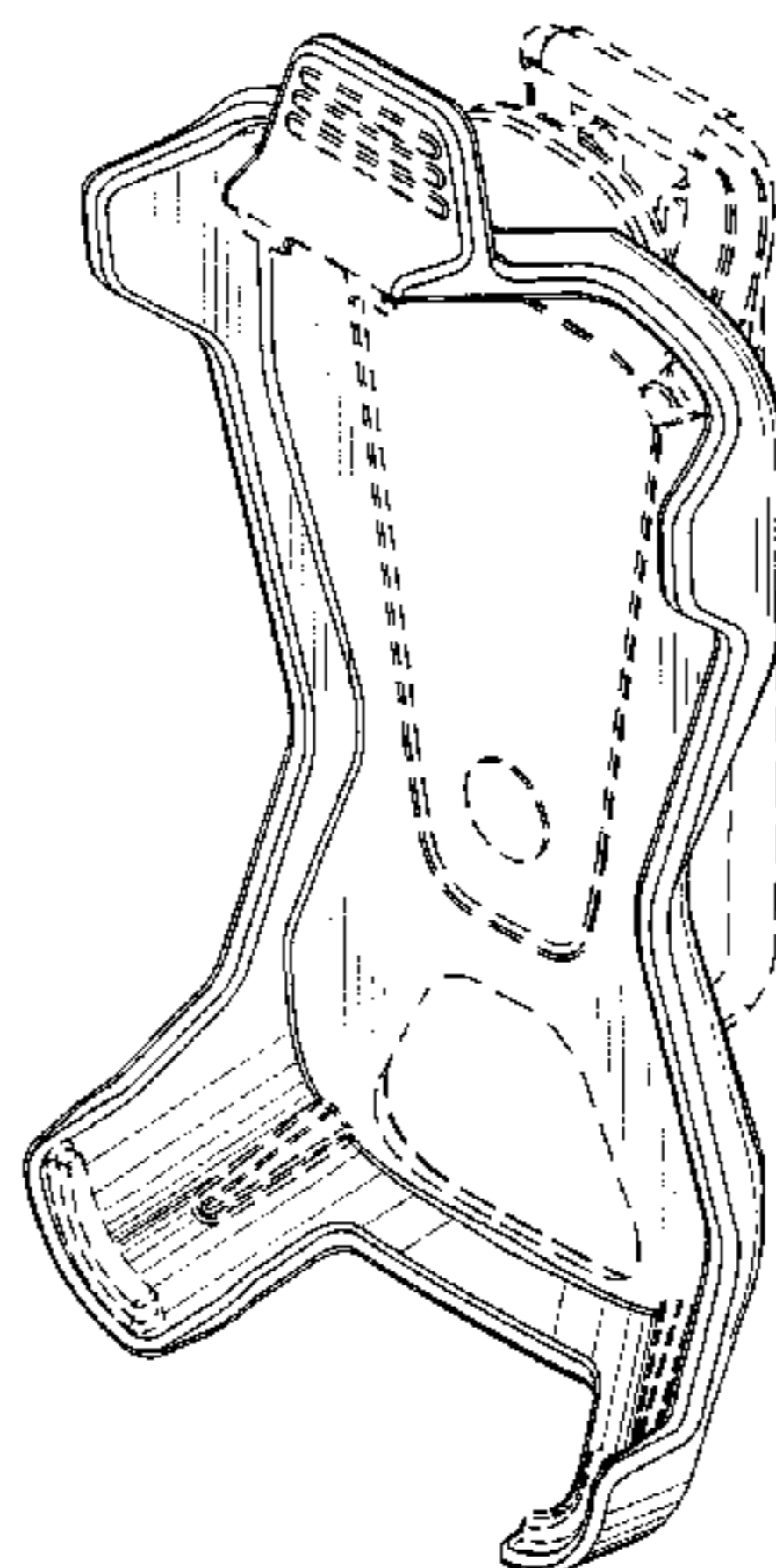
FIG. 26 is a right side orthographic view thereof.

FIG. 27 is a top orthographic view thereof; and,

FIG. 28 is a bottom orthographic view thereof.

The broken lines shown in FIGS. 1-14 are included for the purpose of illustrating environmental elements only and form no part of the claimed design.

1 Claim, 20 Drawing Sheets



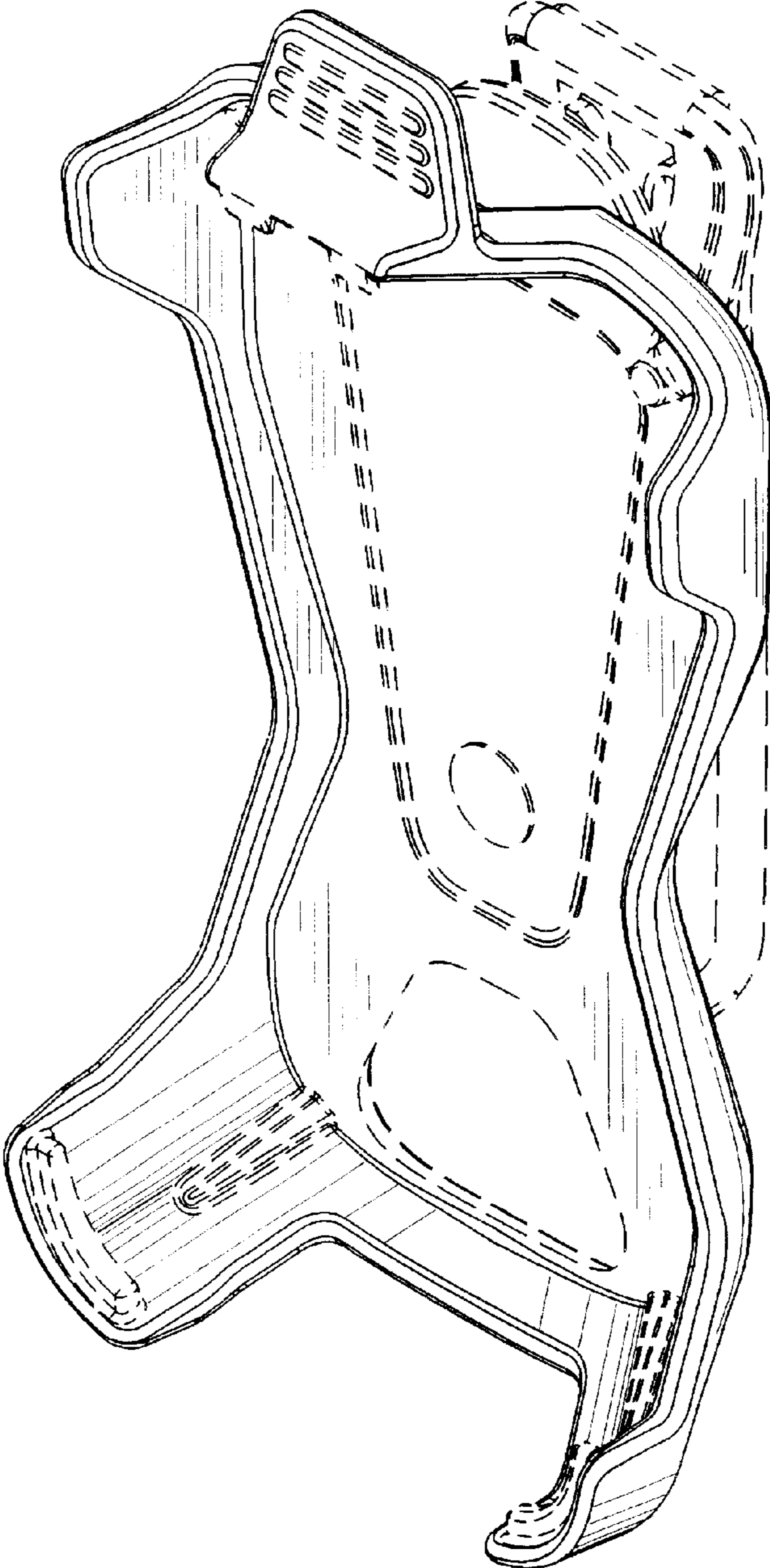


FIG. 1

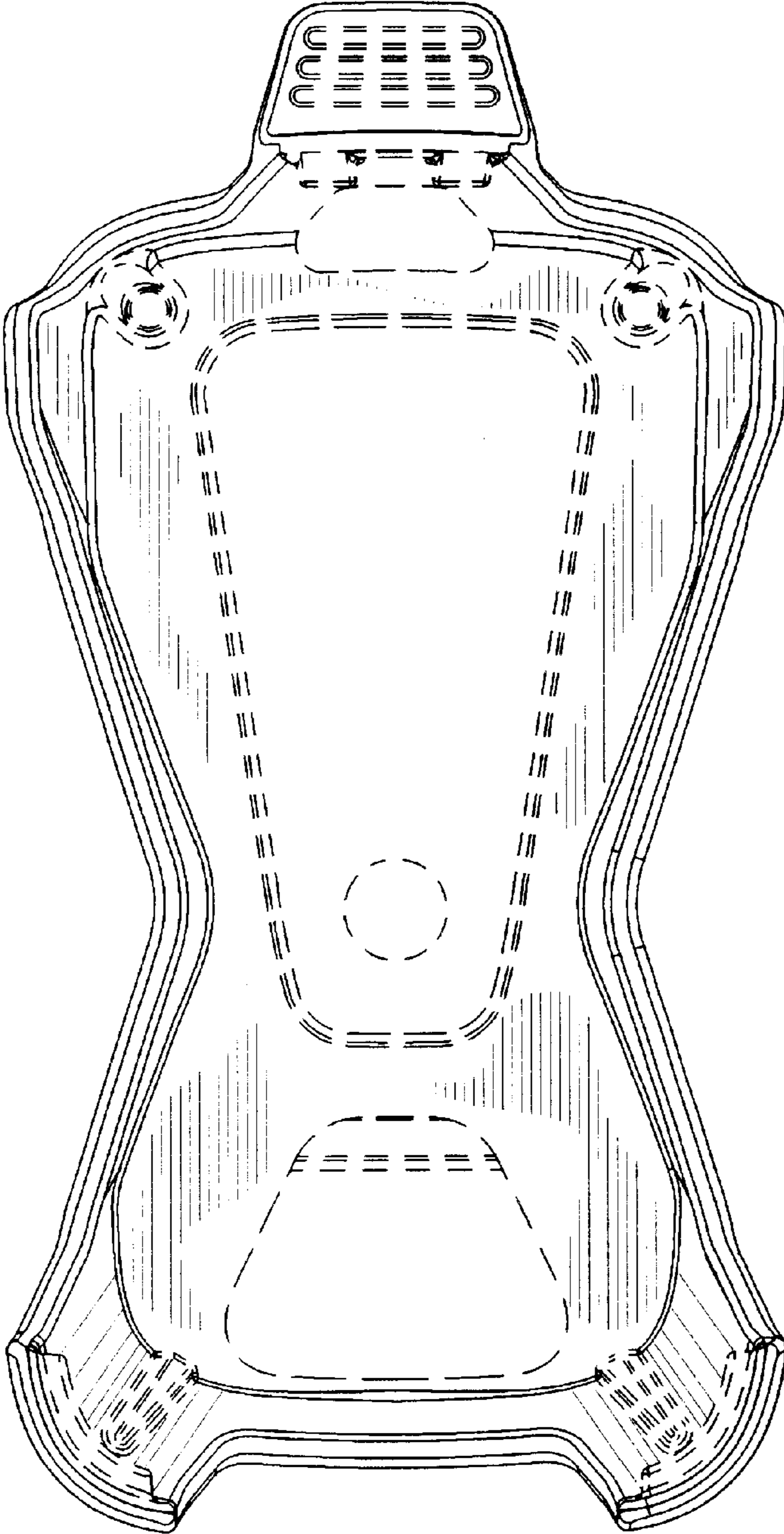


FIG. 2

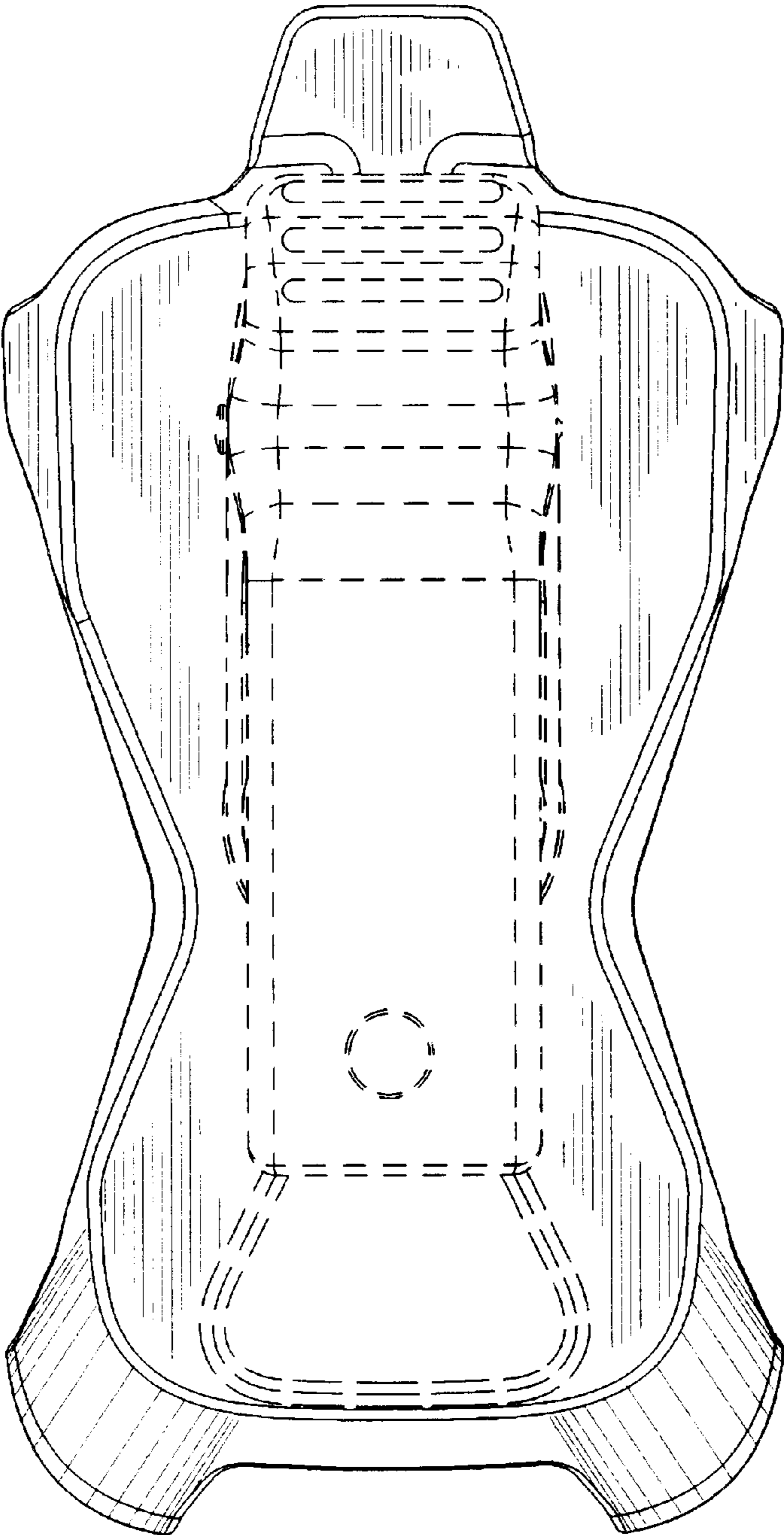


FIG. 3

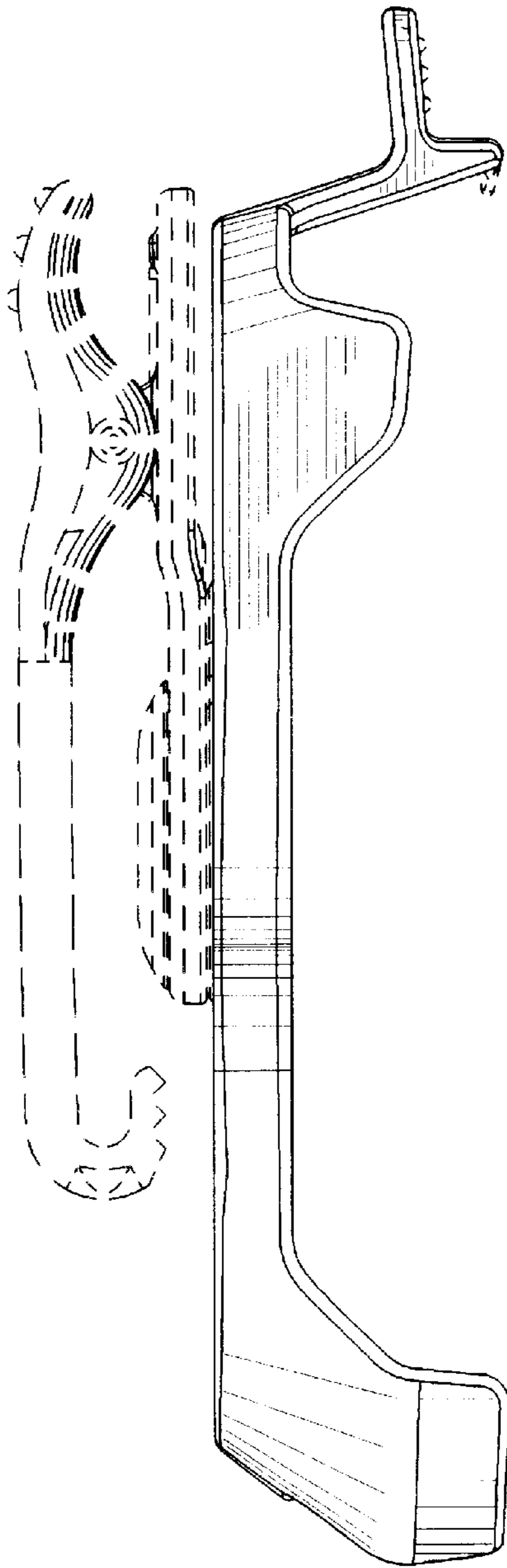


FIG. 4

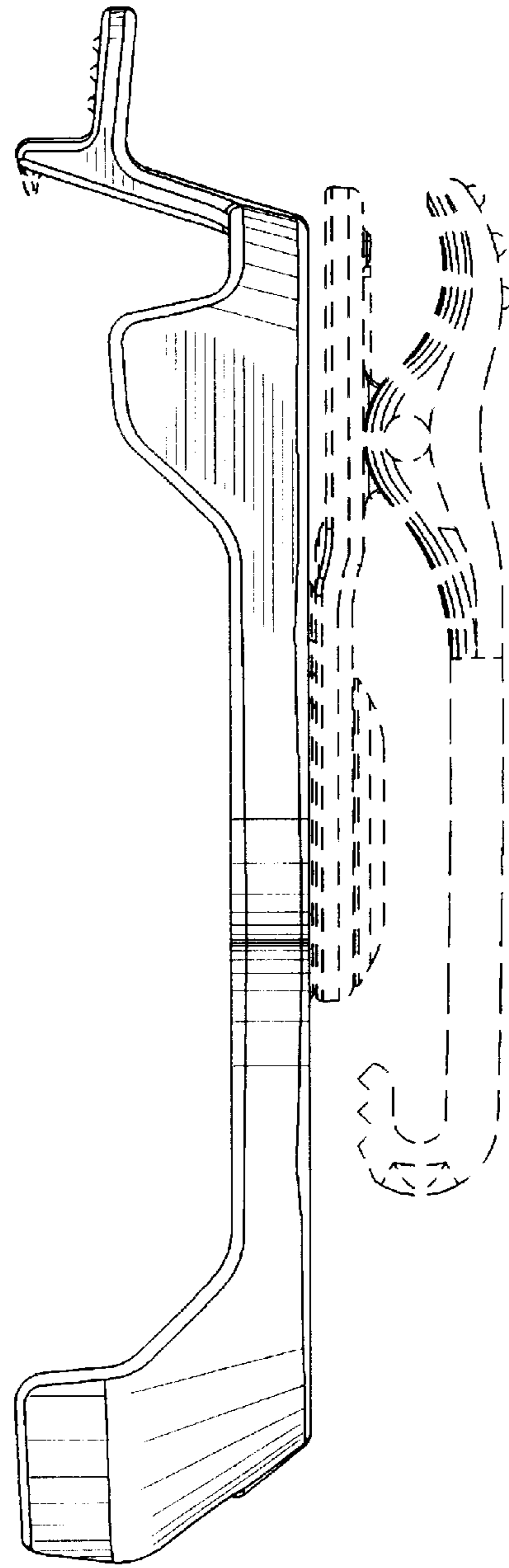


FIG. 5

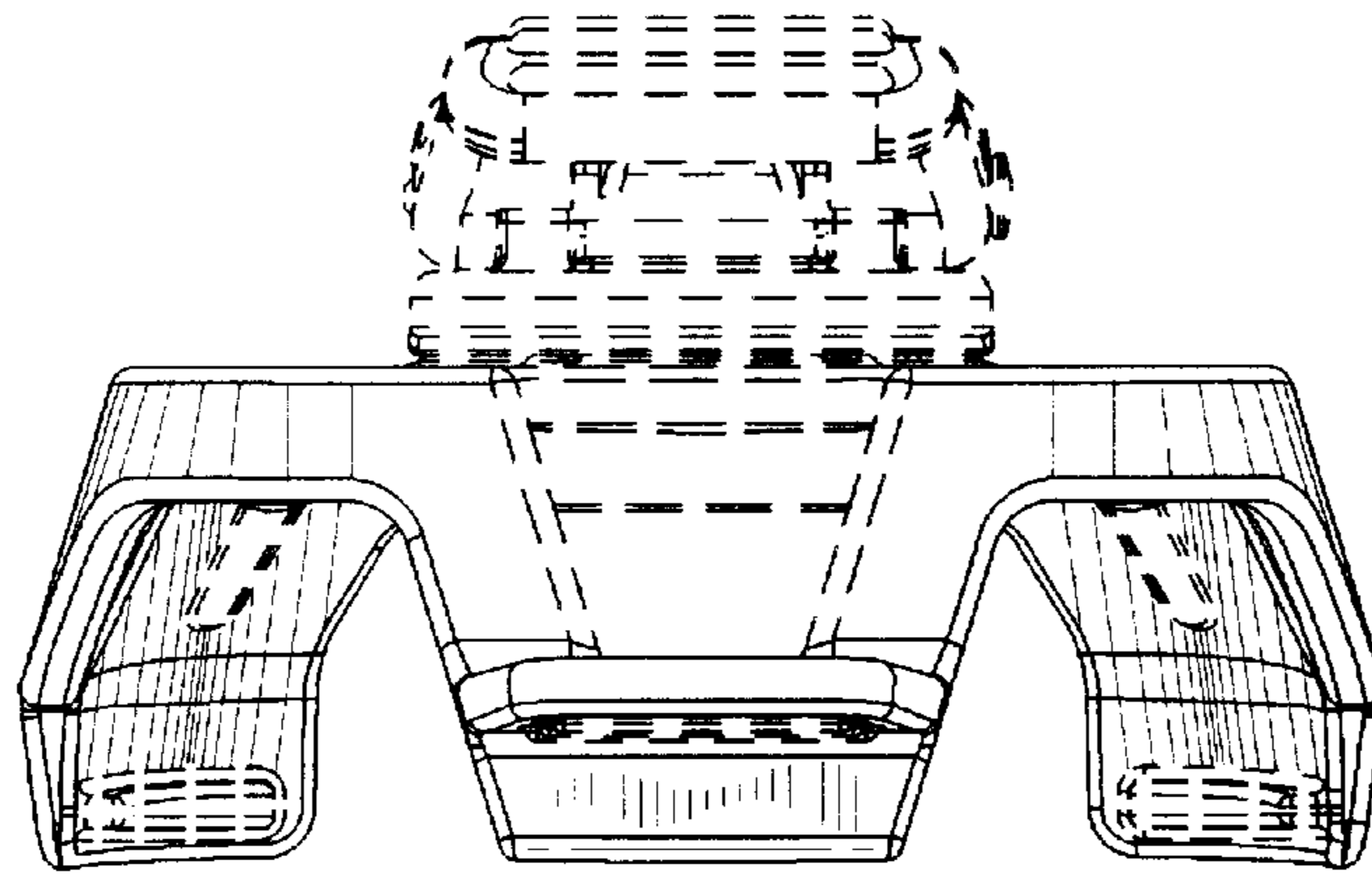


FIG. 6

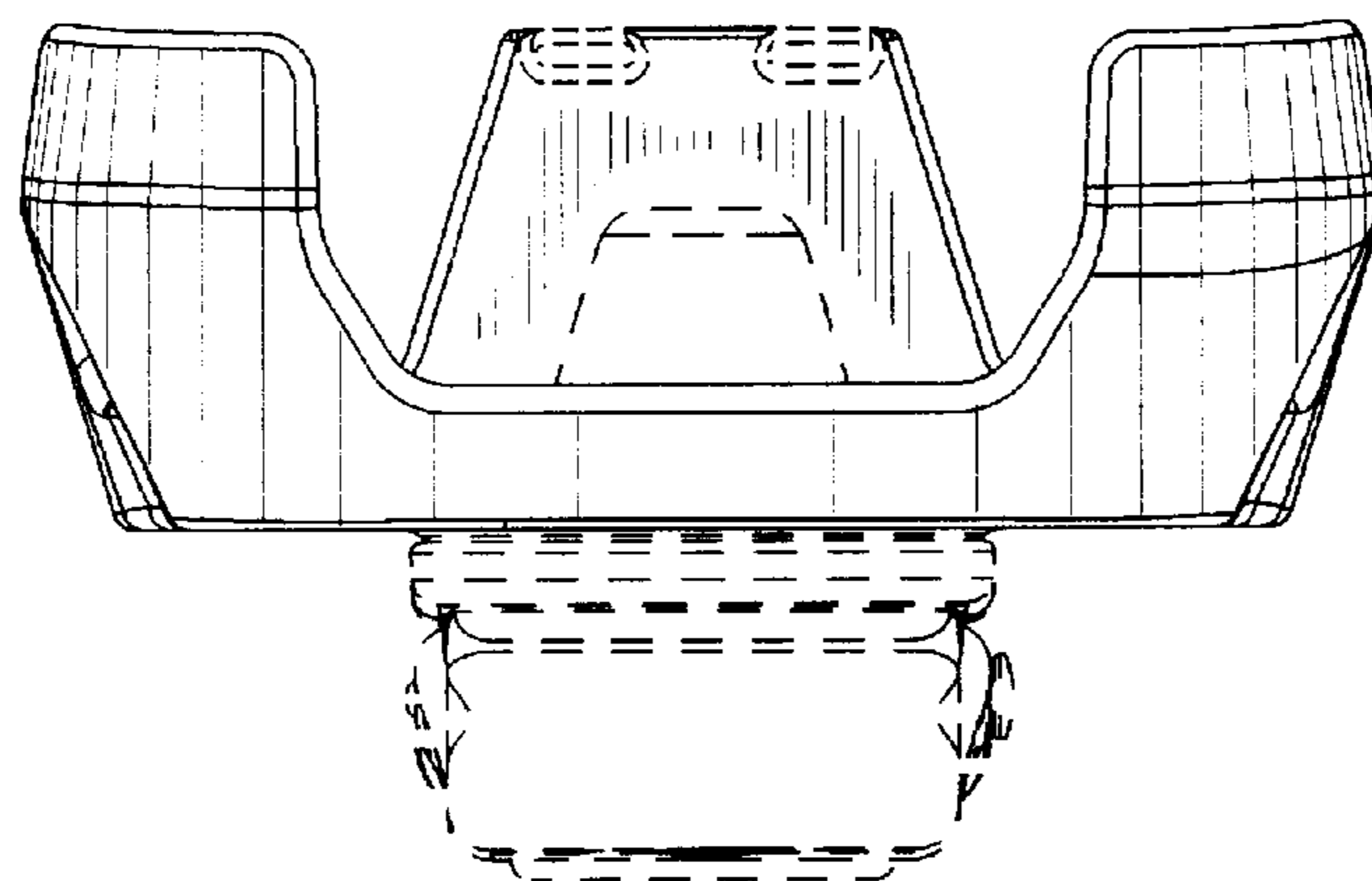


FIG. 7

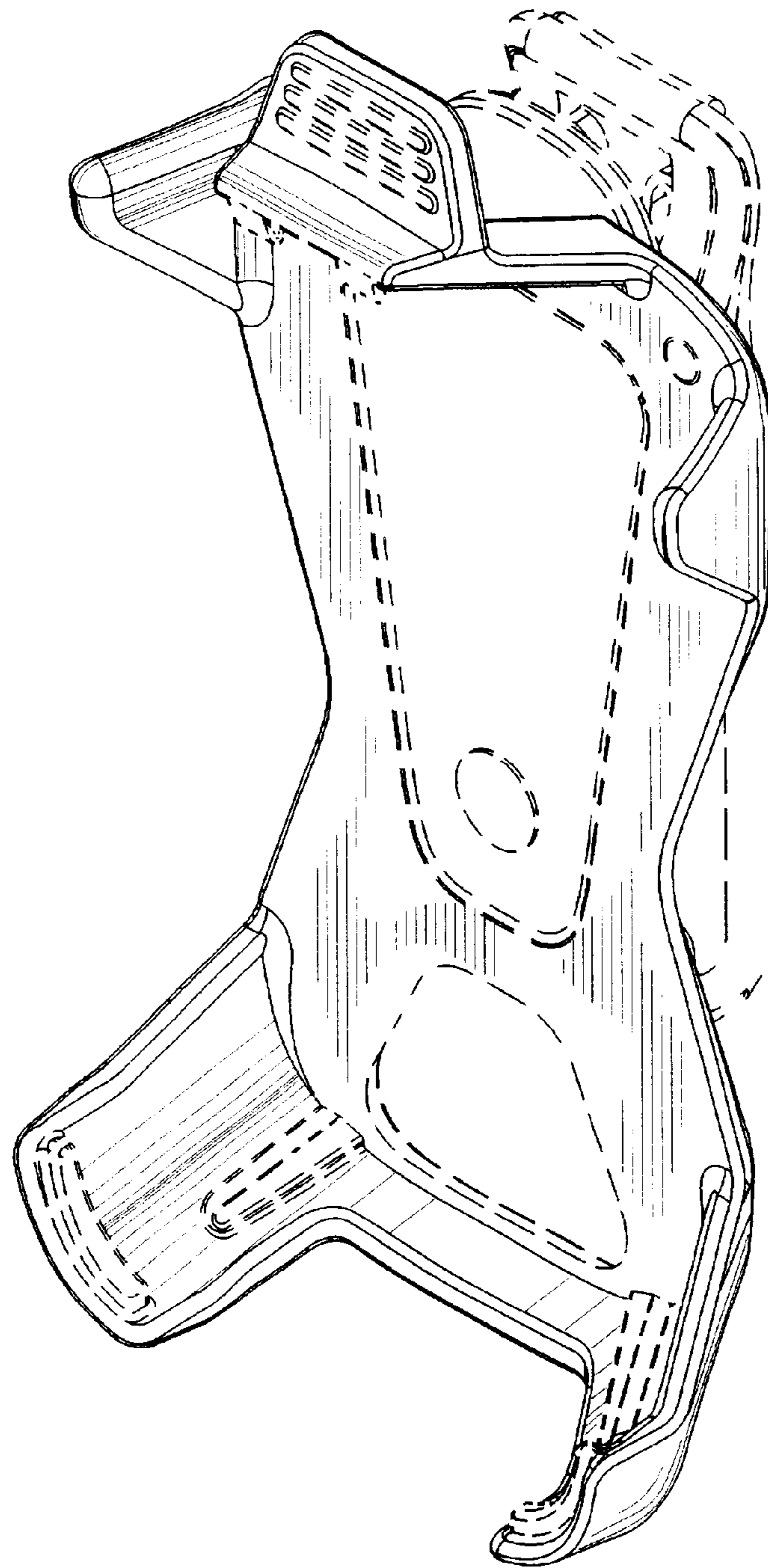


FIG. 8

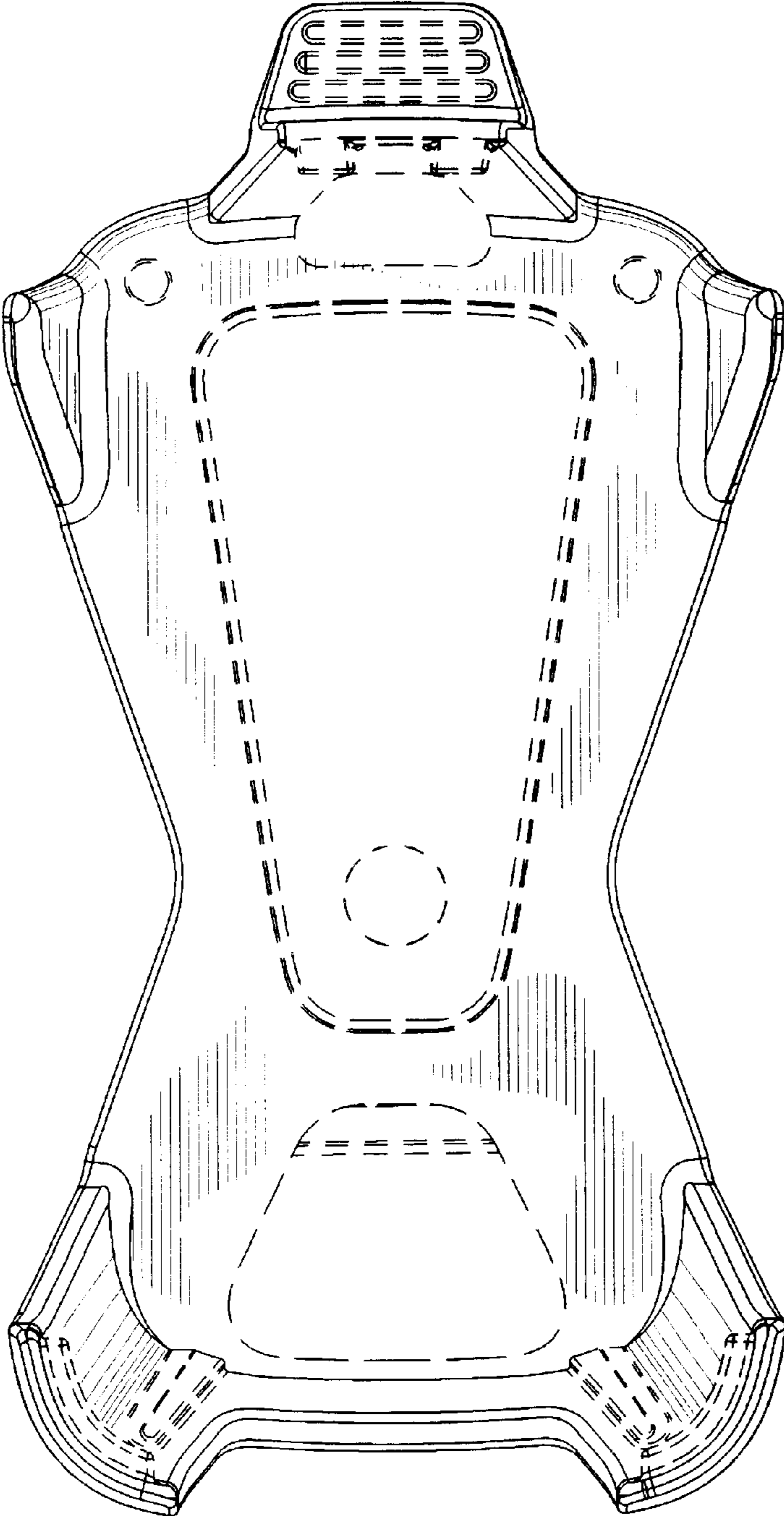


FIG. 9

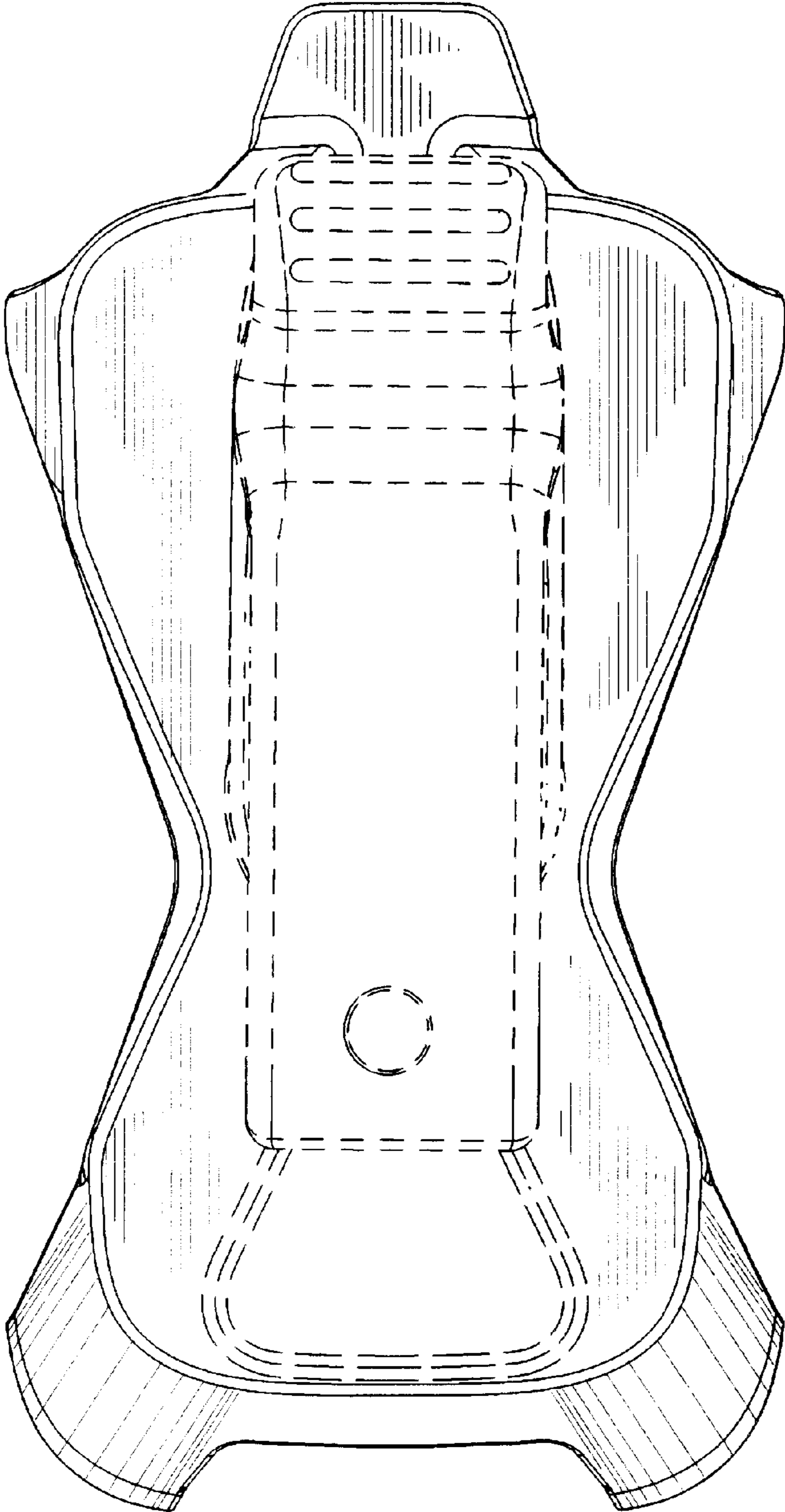


FIG. 10

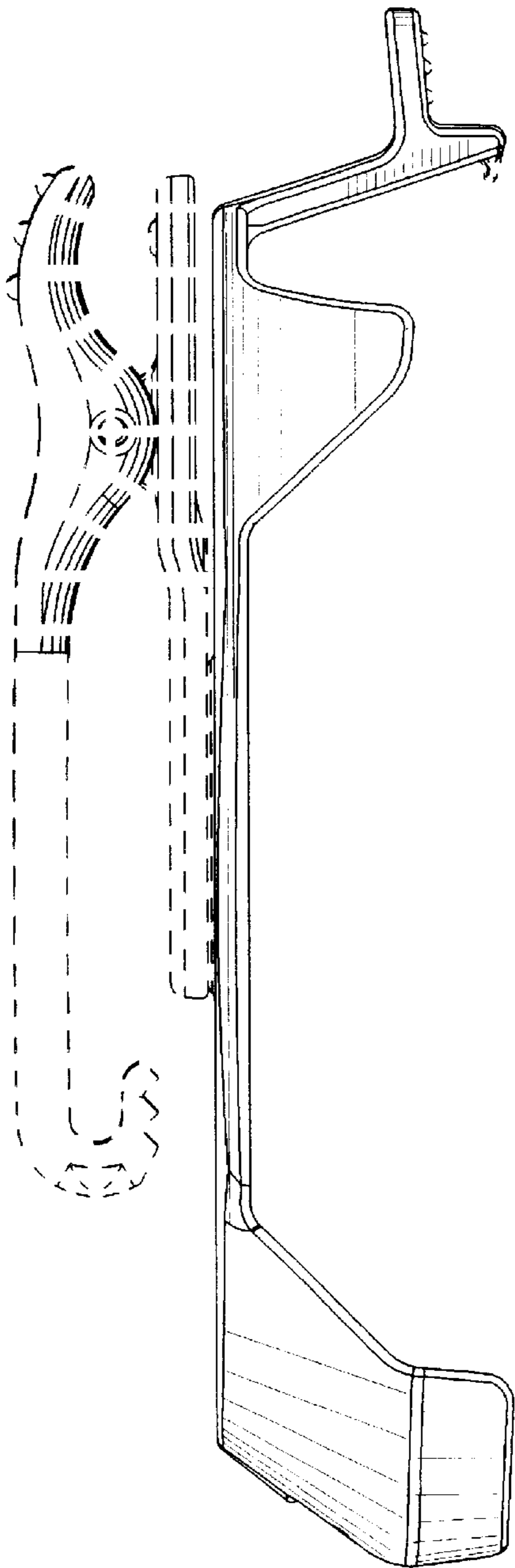


FIG. 11

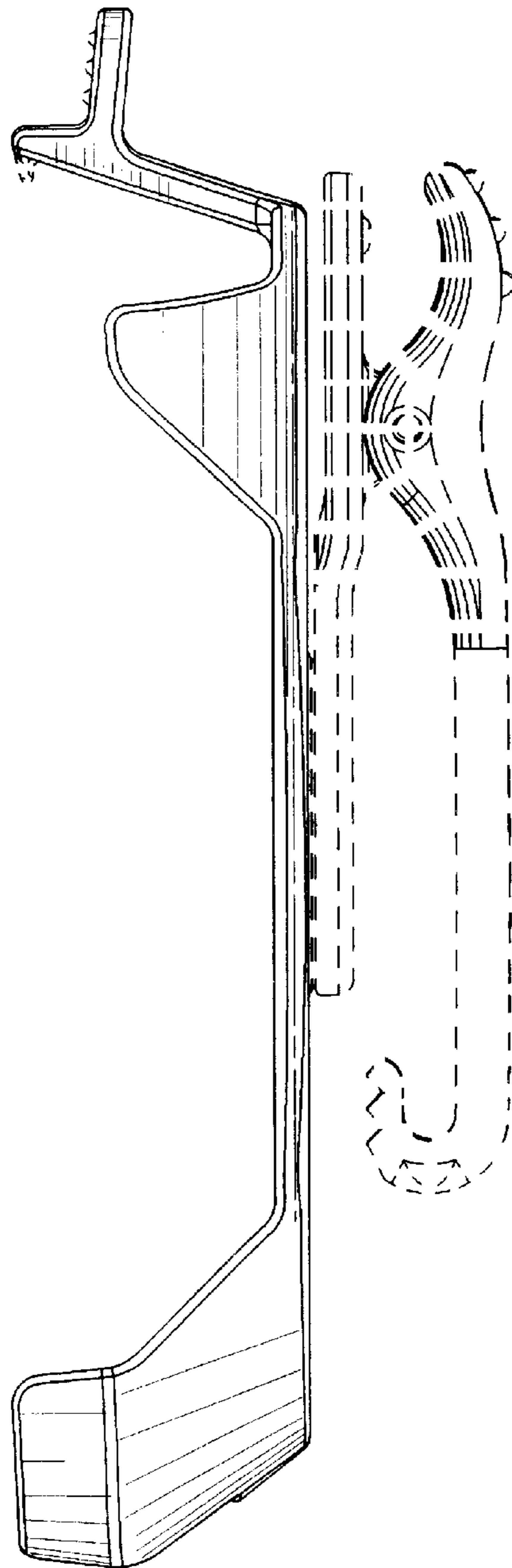


FIG. 12

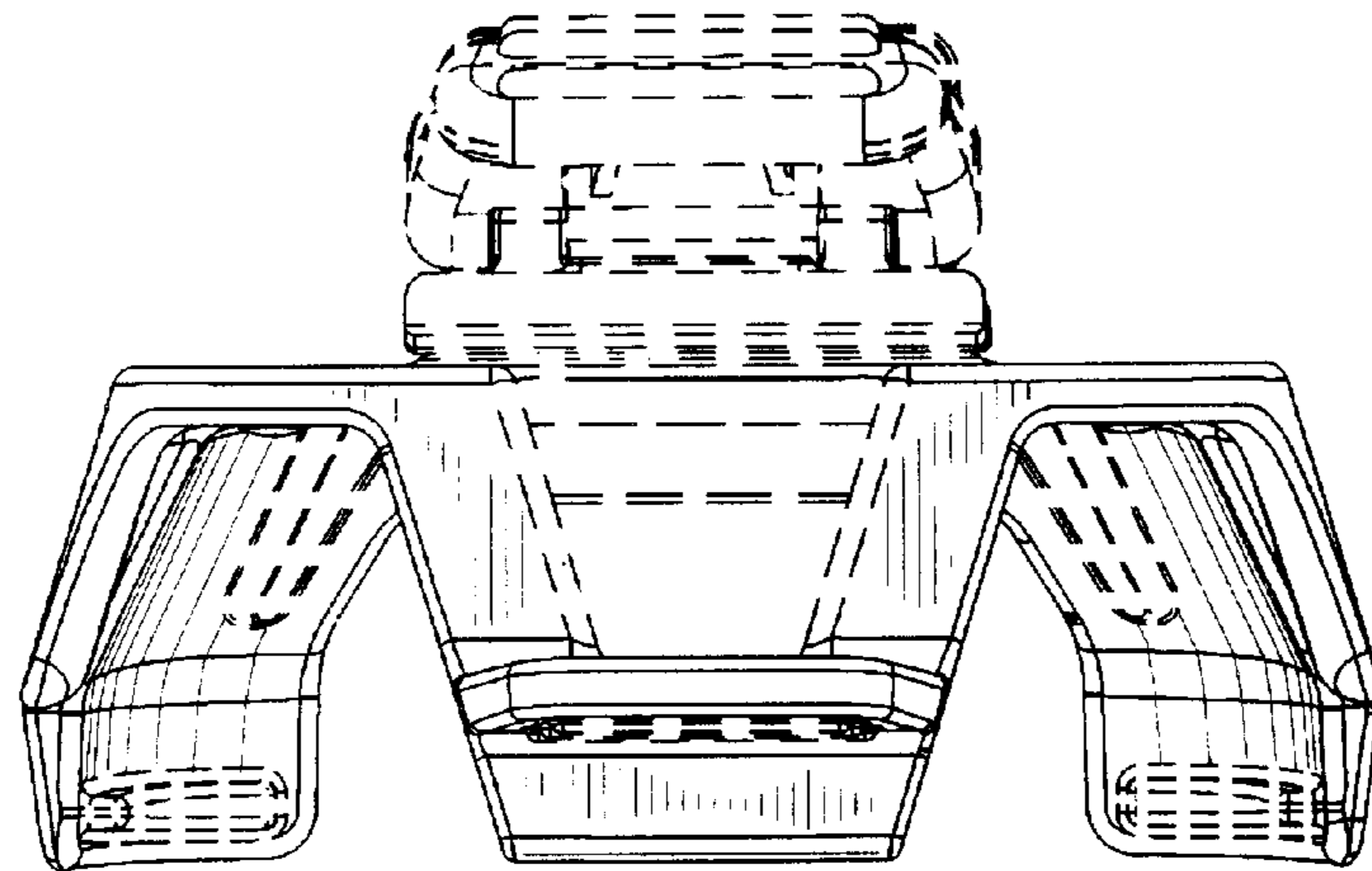


FIG. 13

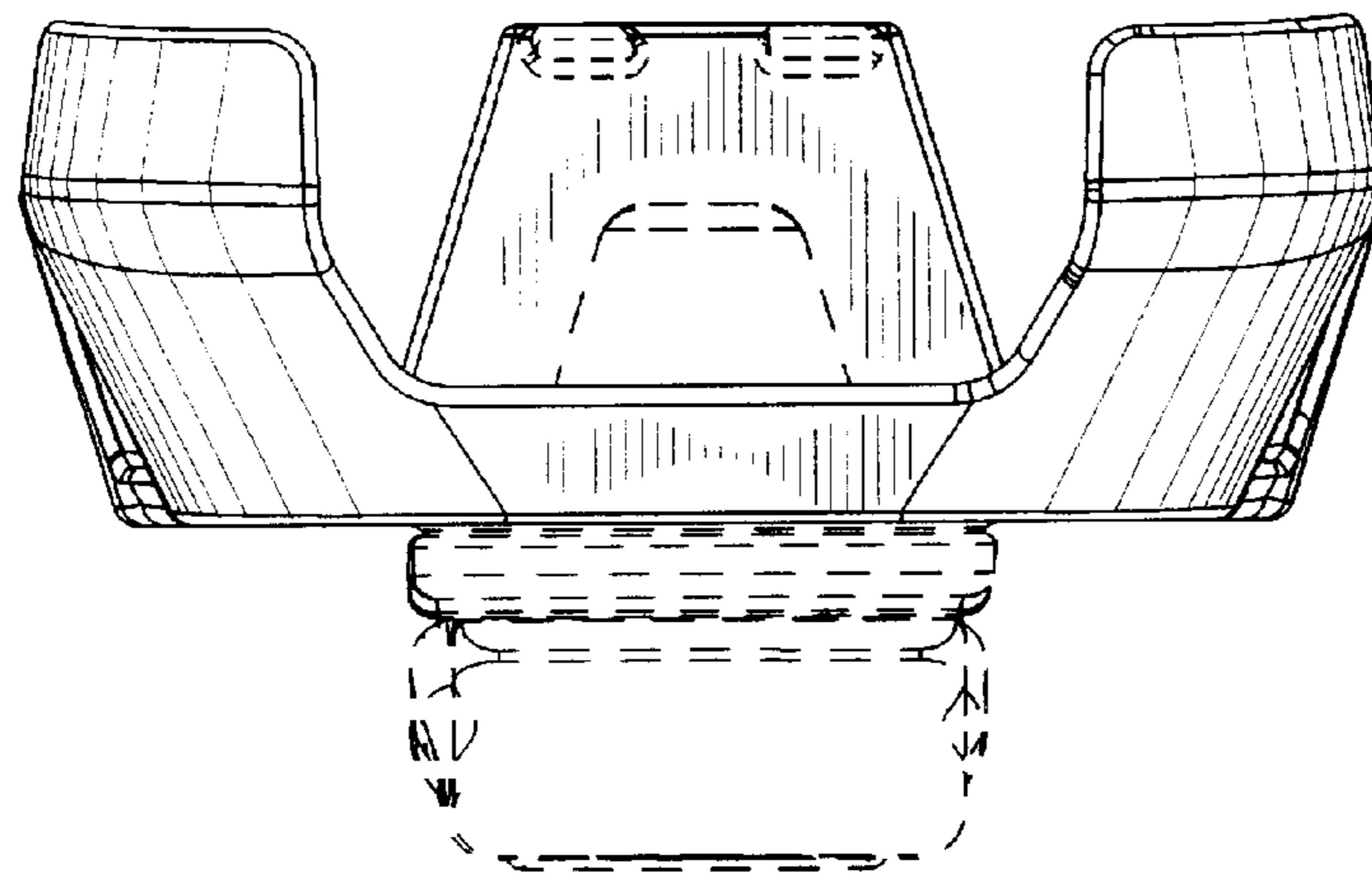


FIG. 14

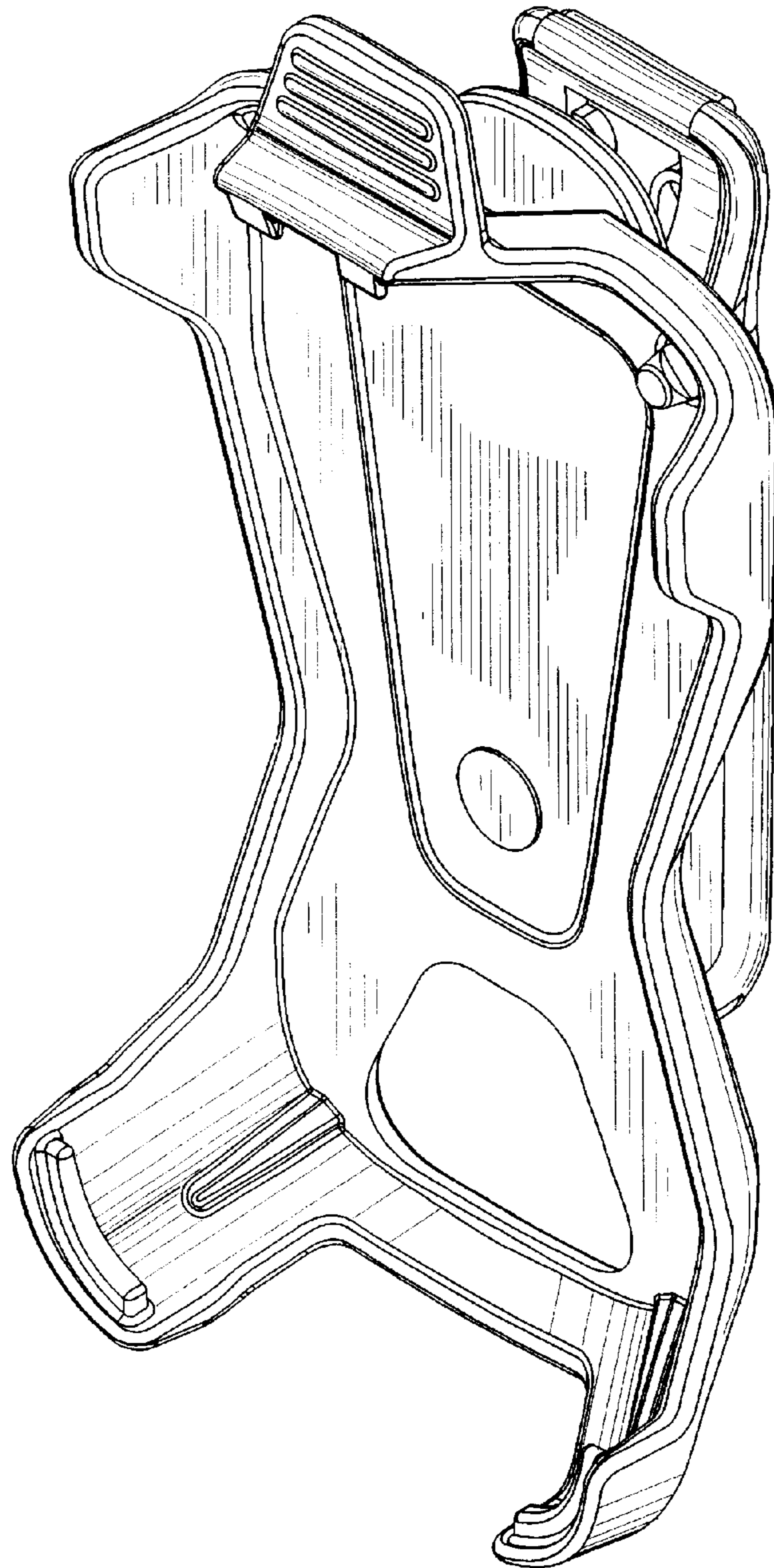


FIG. 15

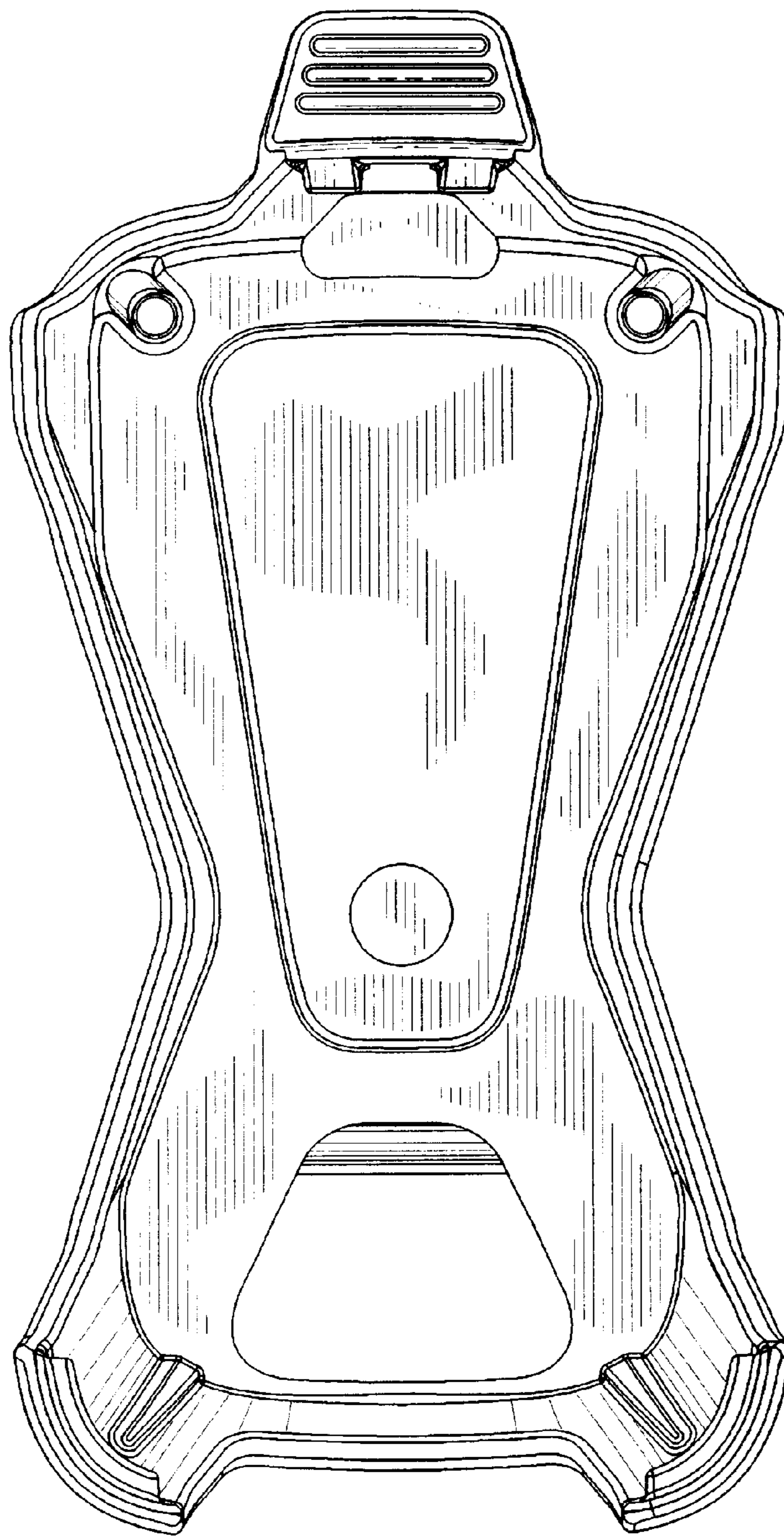


FIG. 16

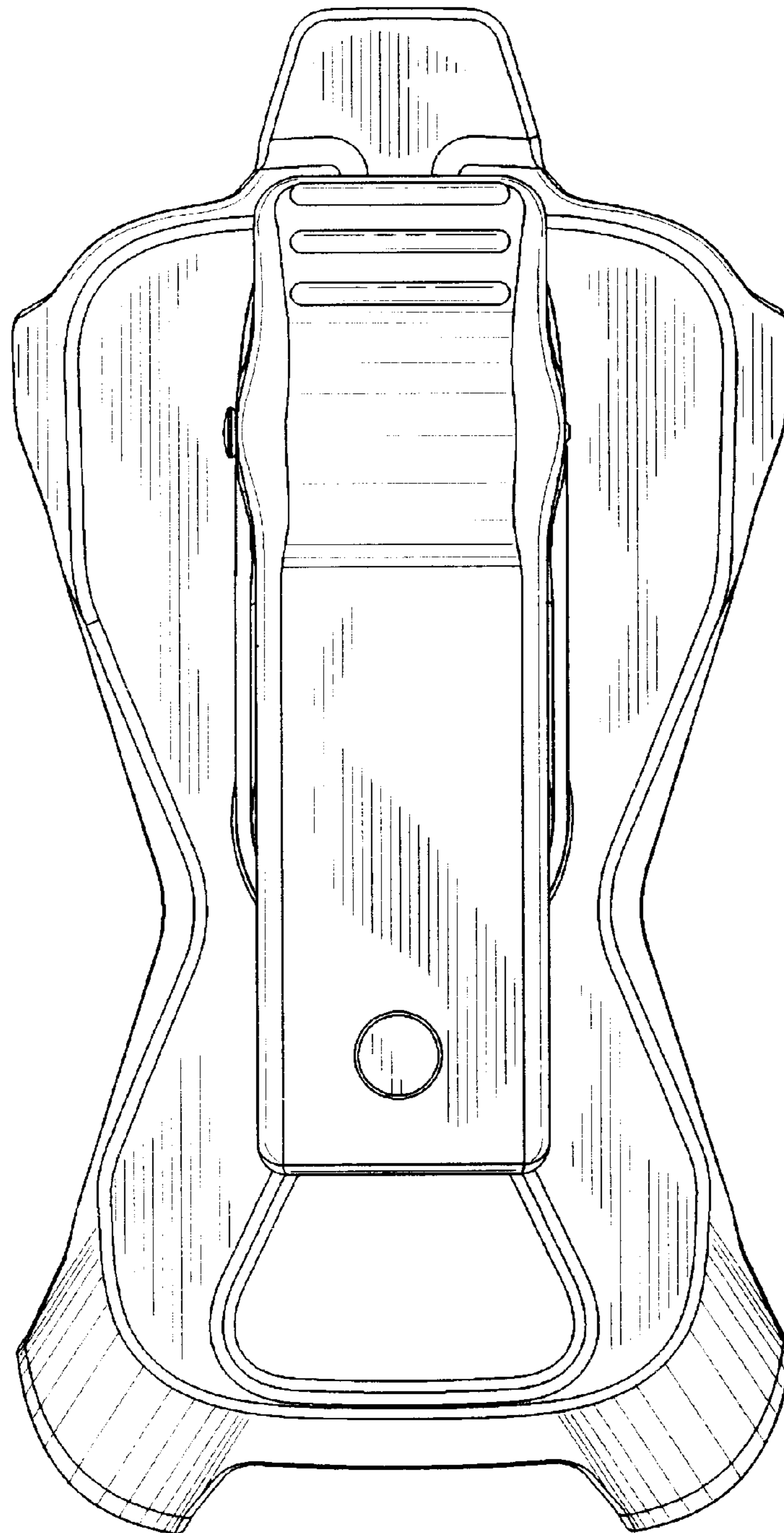


FIG. 17

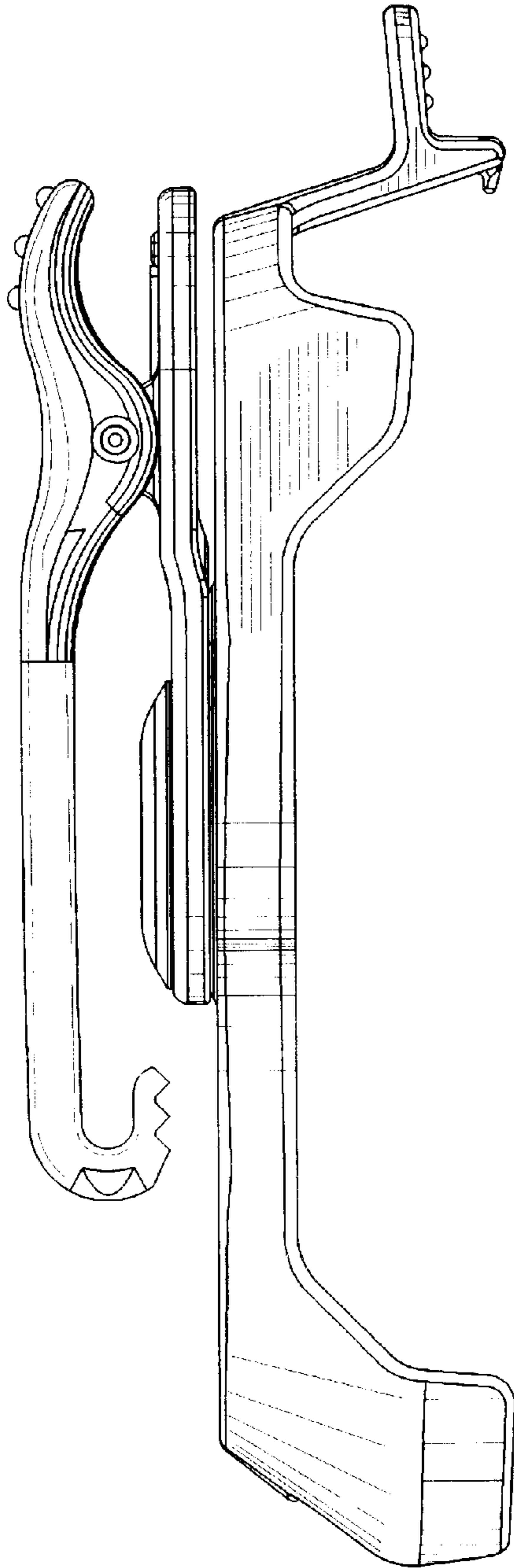


FIG. 18

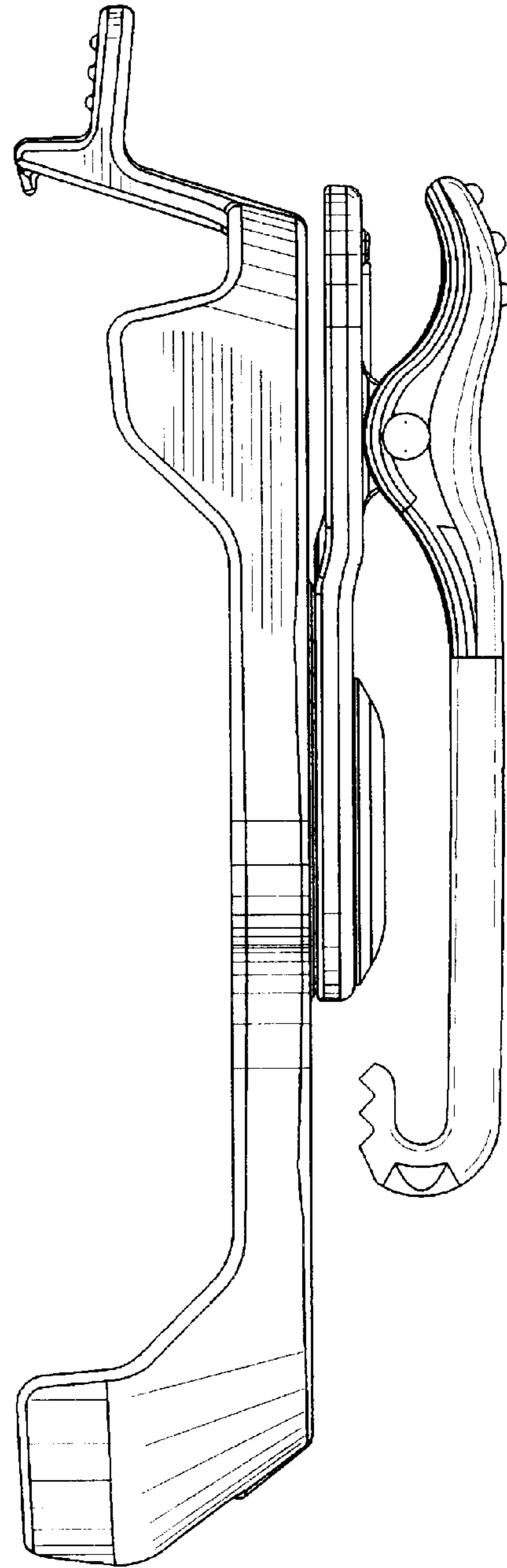


FIG. 19

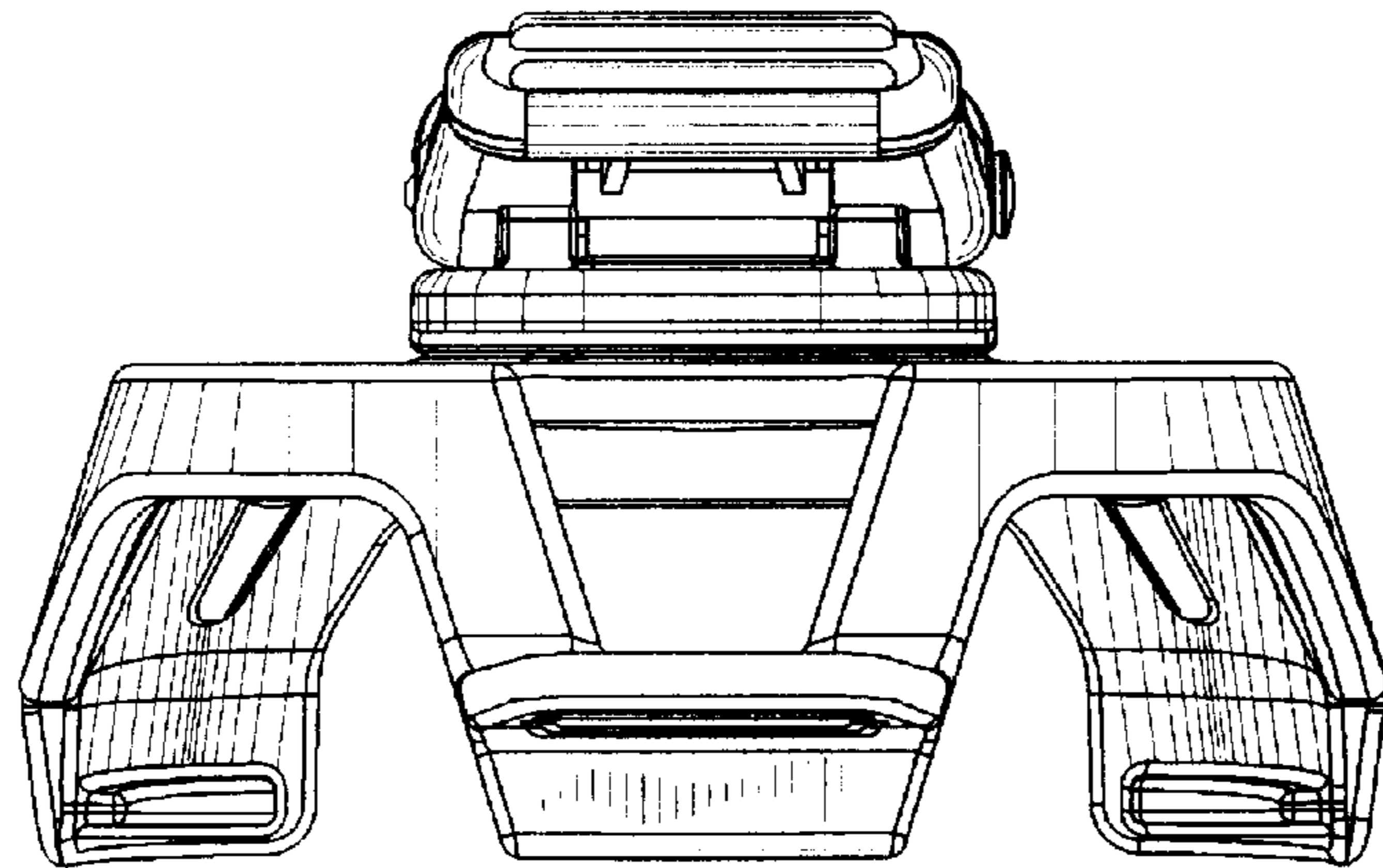


FIG. 20

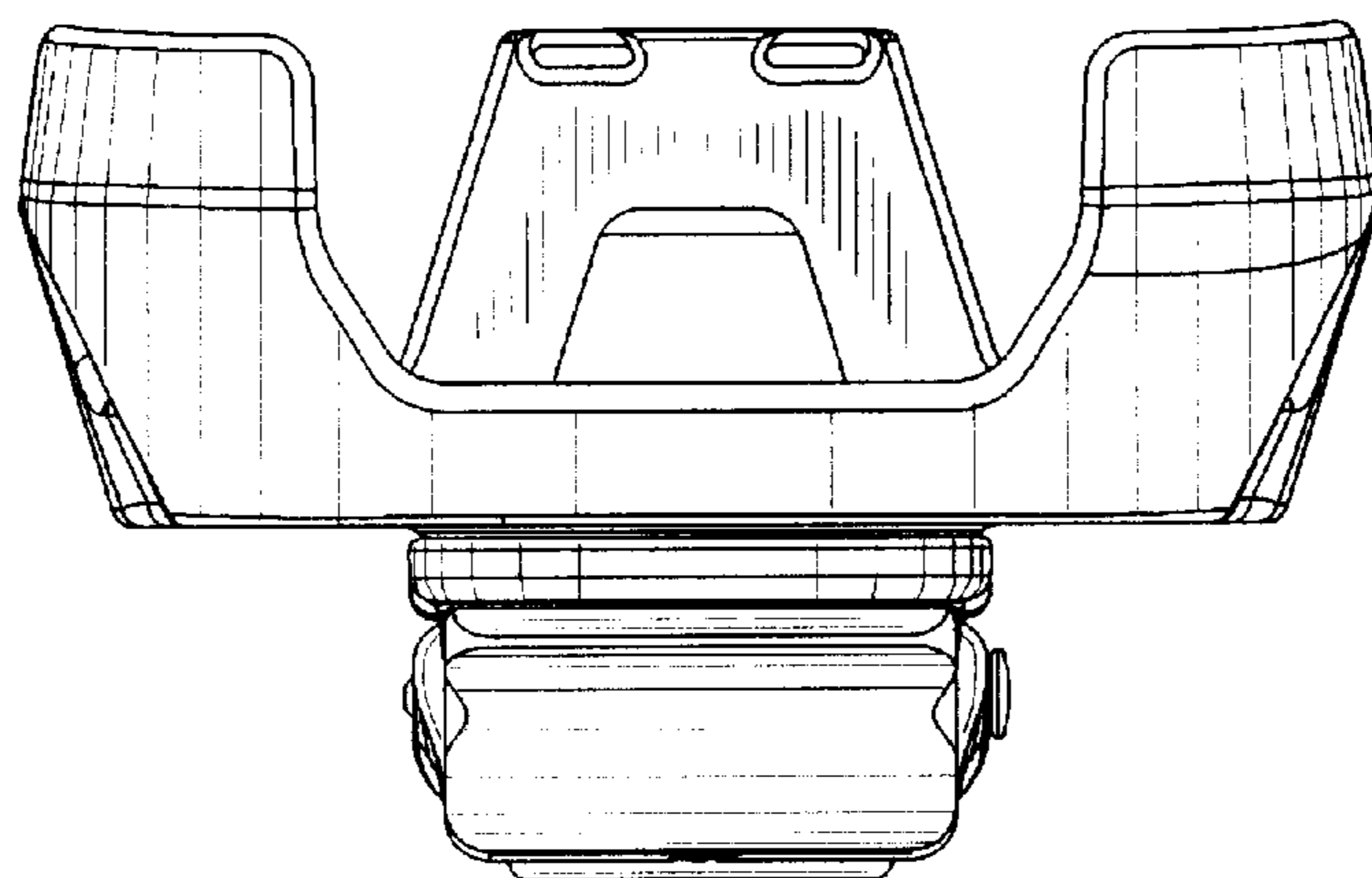


FIG. 21

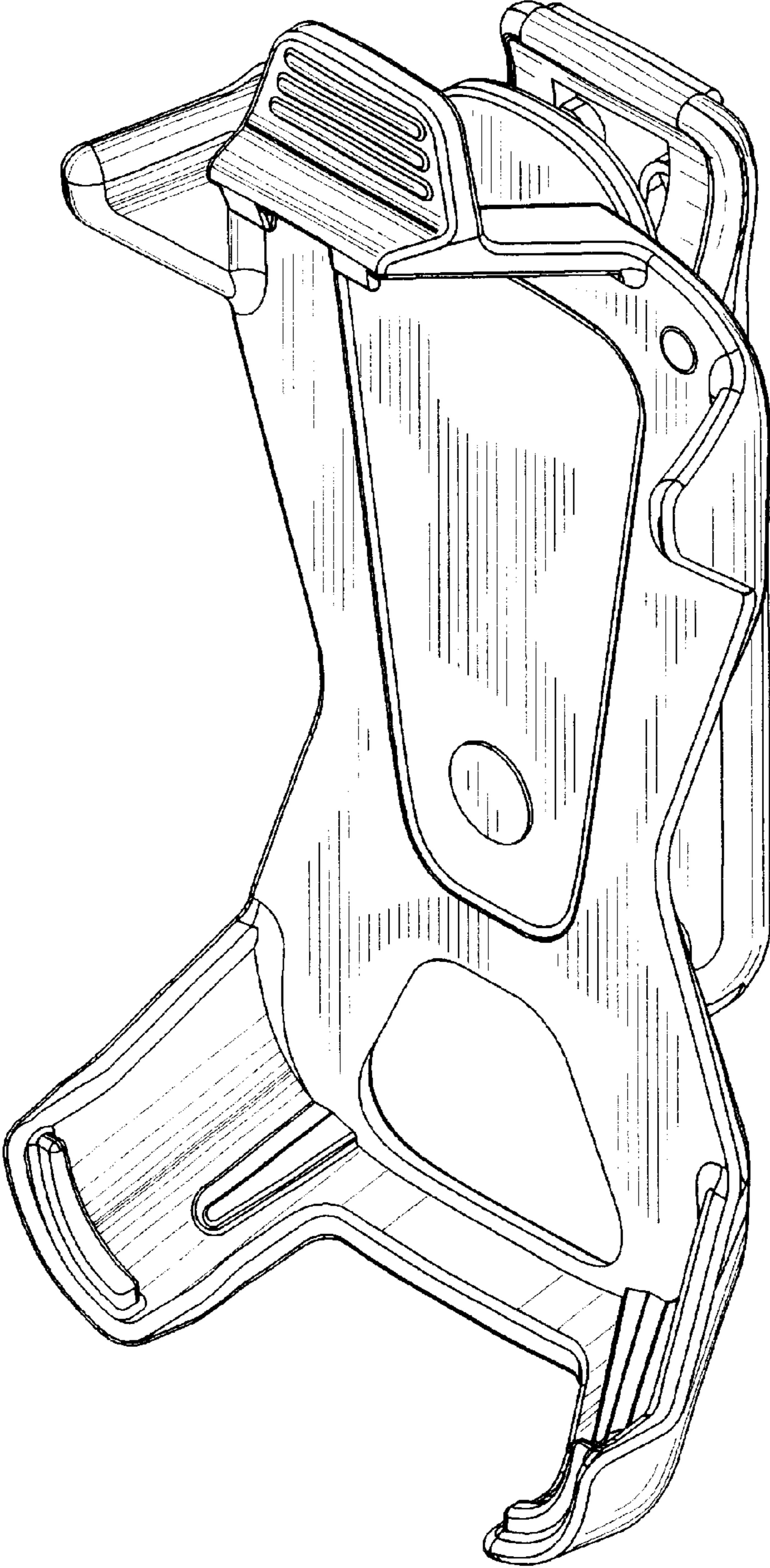


FIG. 22

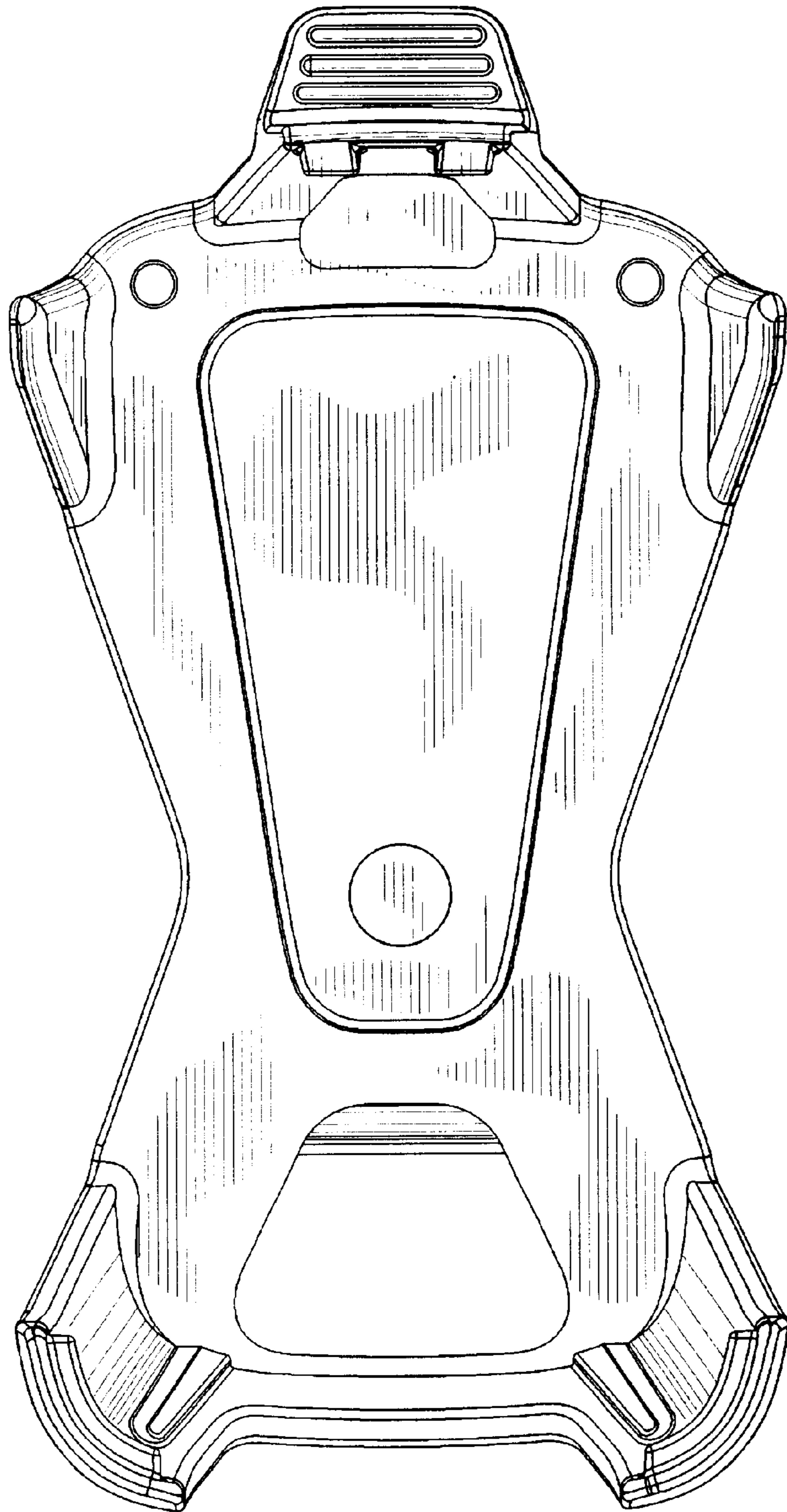


FIG. 23

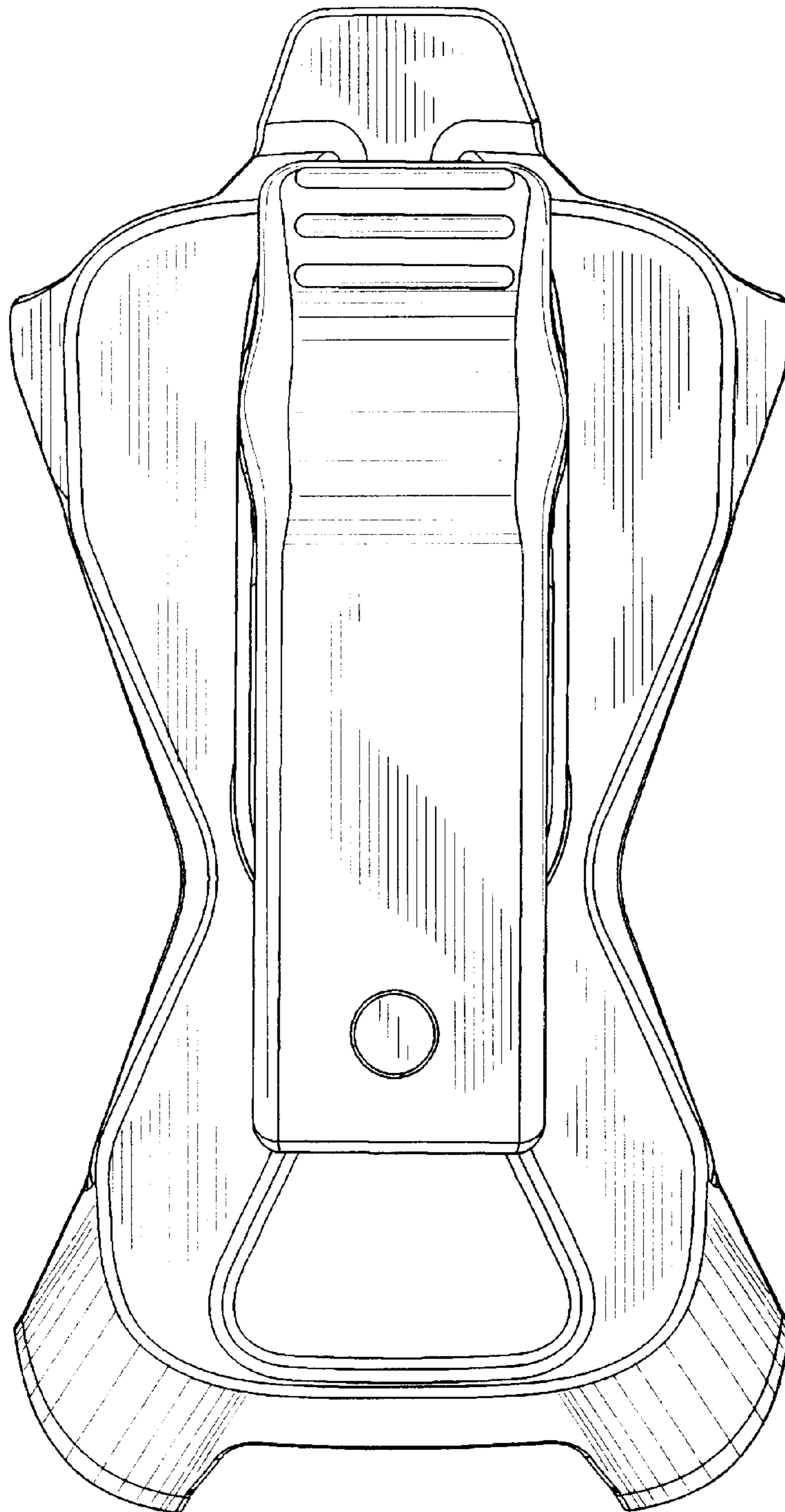


FIG. 24

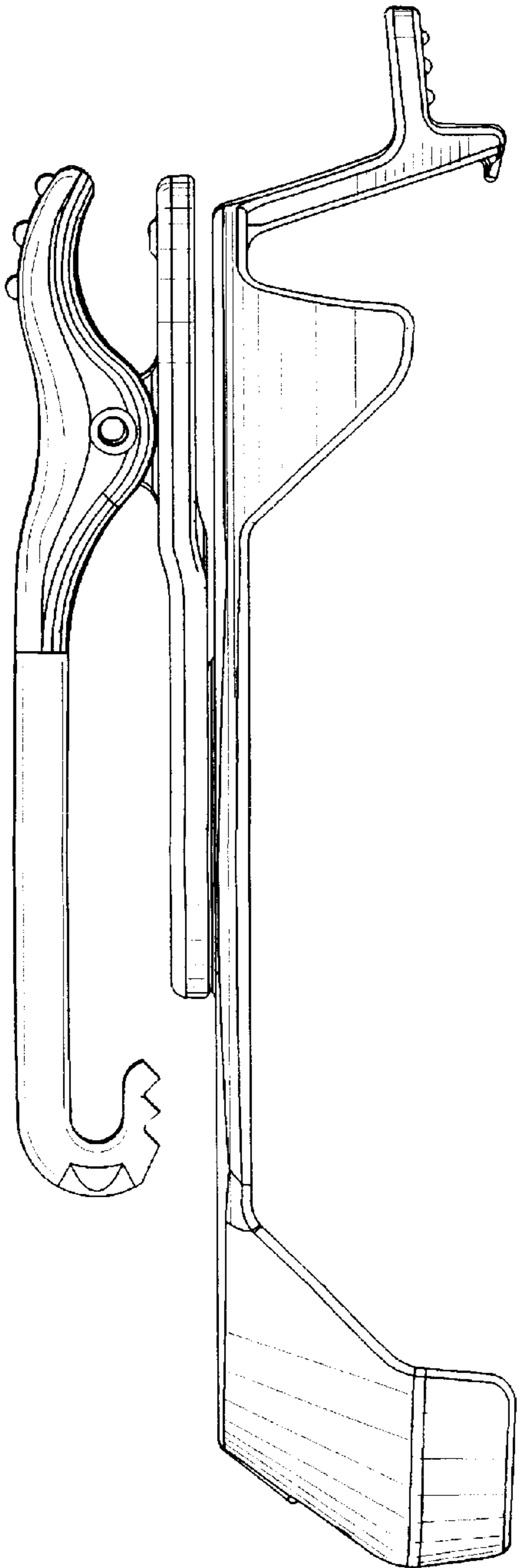


FIG. 25

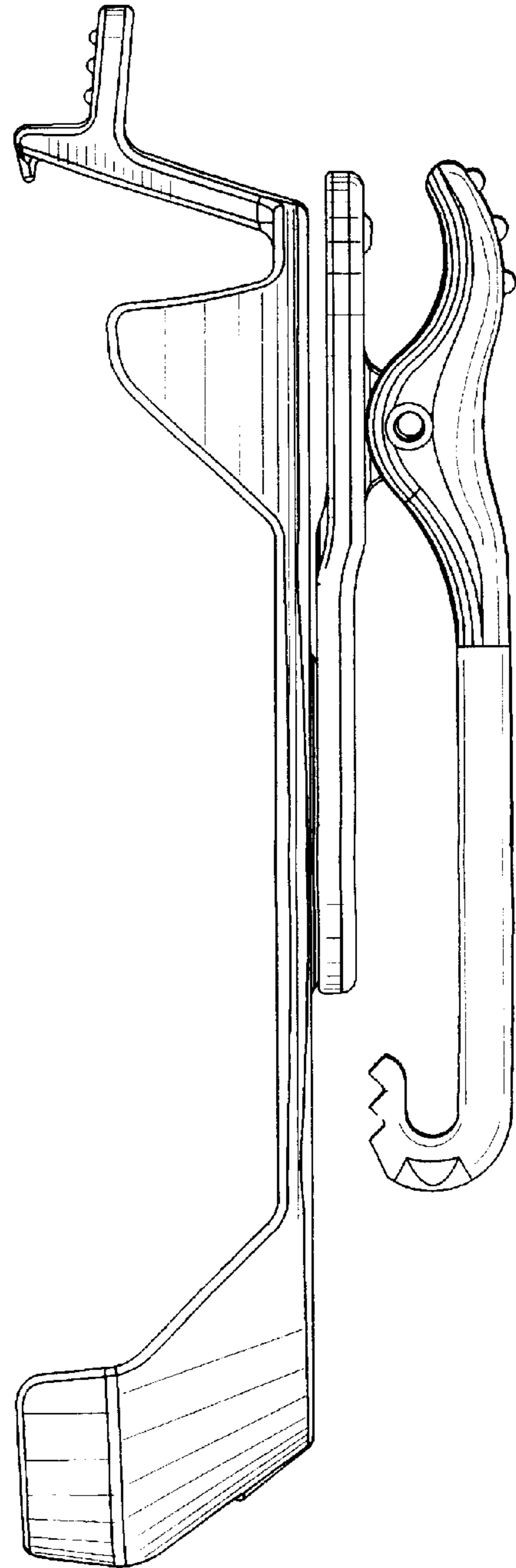


FIG. 26

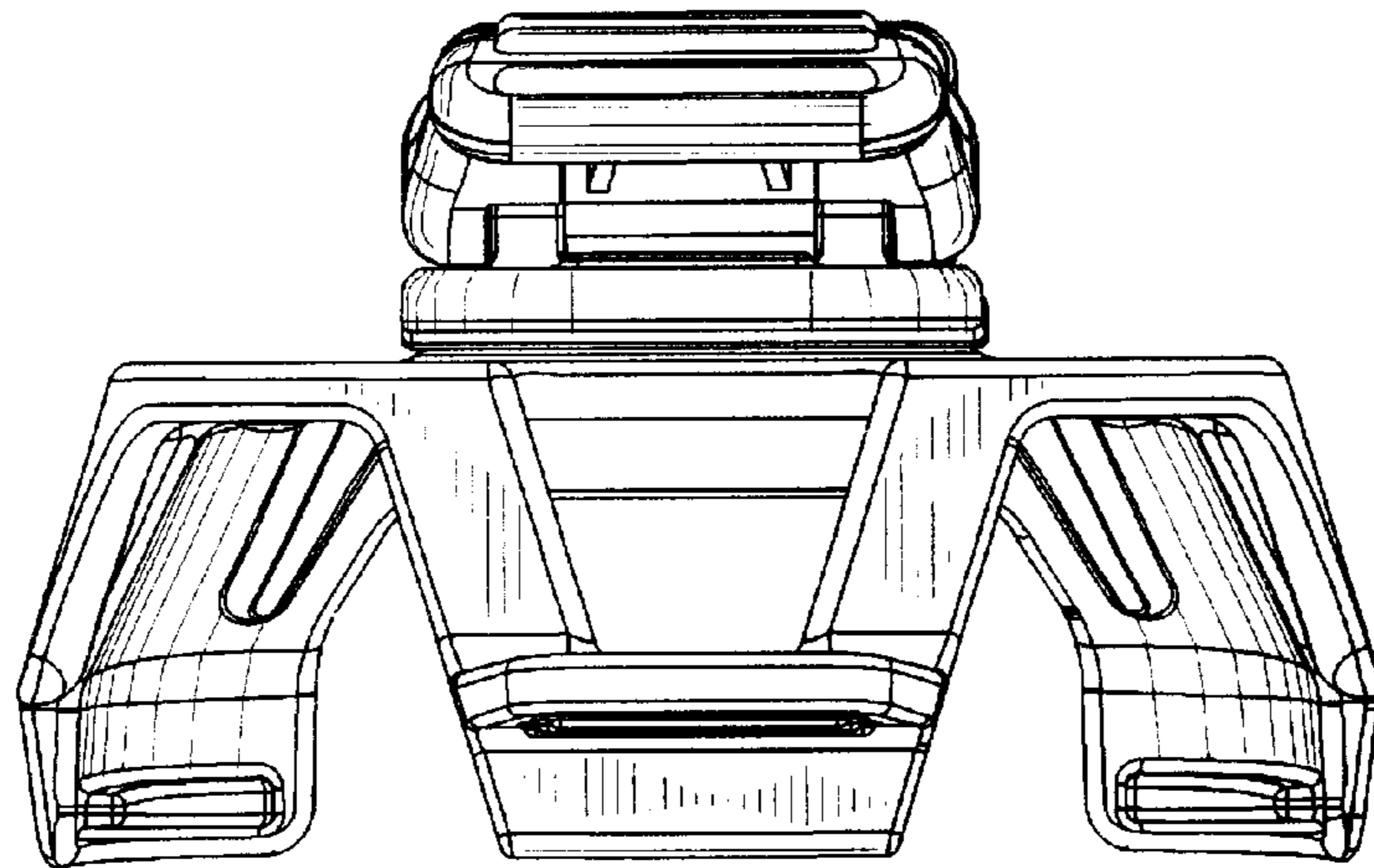


FIG. 27

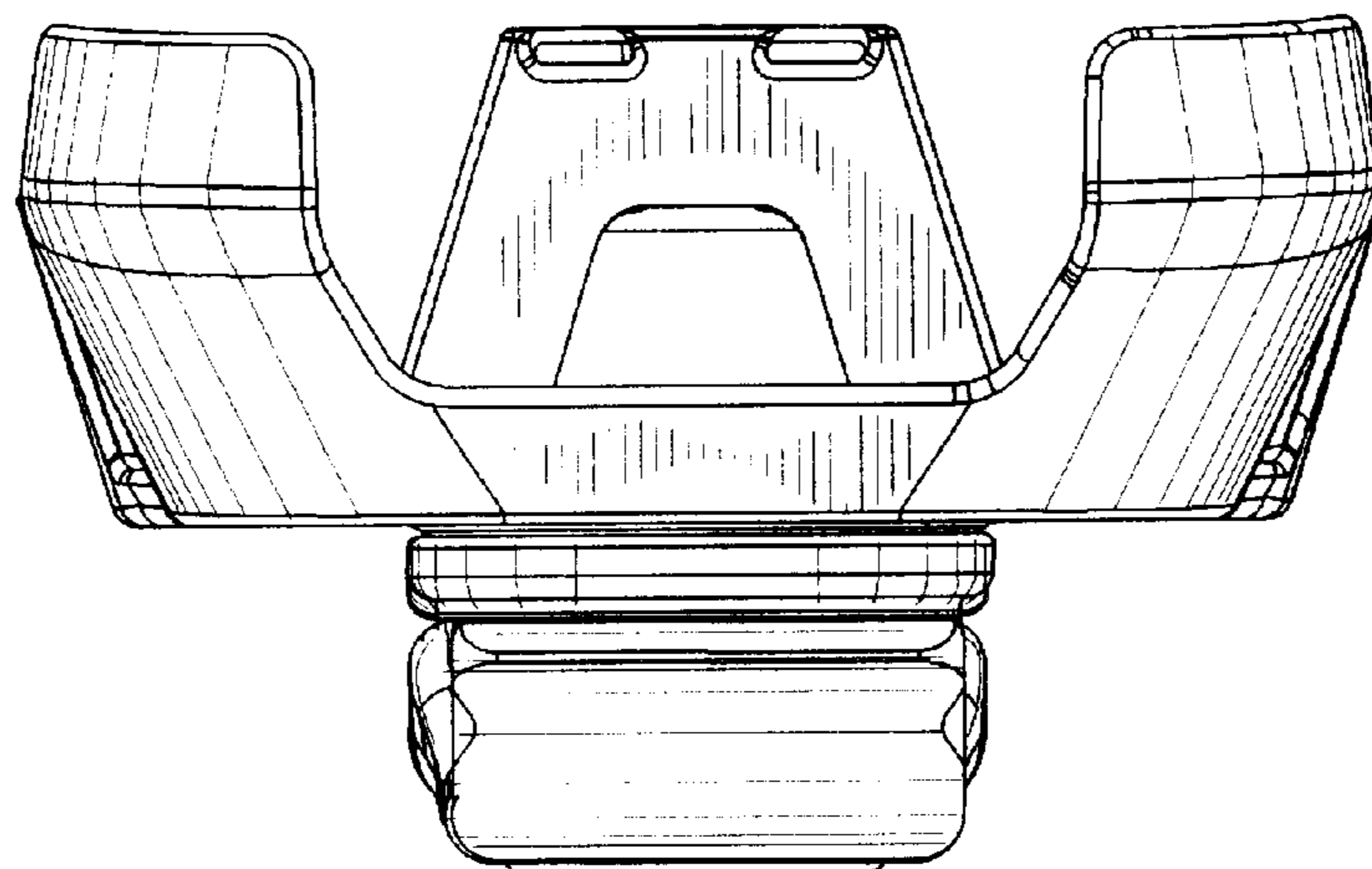


FIG. 28

UNITED STATES PATENT AND TRADEMARK OFFICE
CERTIFICATE OF CORRECTION

PATENT NO. : Des. 517,310 S
APPLICATION NO. : 29/206978
DATED : March 21, 2006
INVENTOR(S) : Aron et al.

Page 1 of 7

It is certified that error appears in the above-identified patent and that said Letters Patent is hereby corrected as shown below:

DELETE DRAWING SHEETS 15-20 AND **SUBSTITUTE** THEREFORE THE DRAWING SHEETS CONSISTING OF FIGS 20-28 AS SHOWN ON THE ATTACHED PAGE.

Signed and Sealed this

Twenty-first Day of August, 2007

A handwritten signature in black ink on a light gray dotted background. The signature reads "Jon W. Dudas" in a cursive style.

JON W. DUDAS

Director of the United States Patent and Trademark Office

U.S. Patent

Mar. 21, 2006

Sheet 15 of 20

D517,310 S

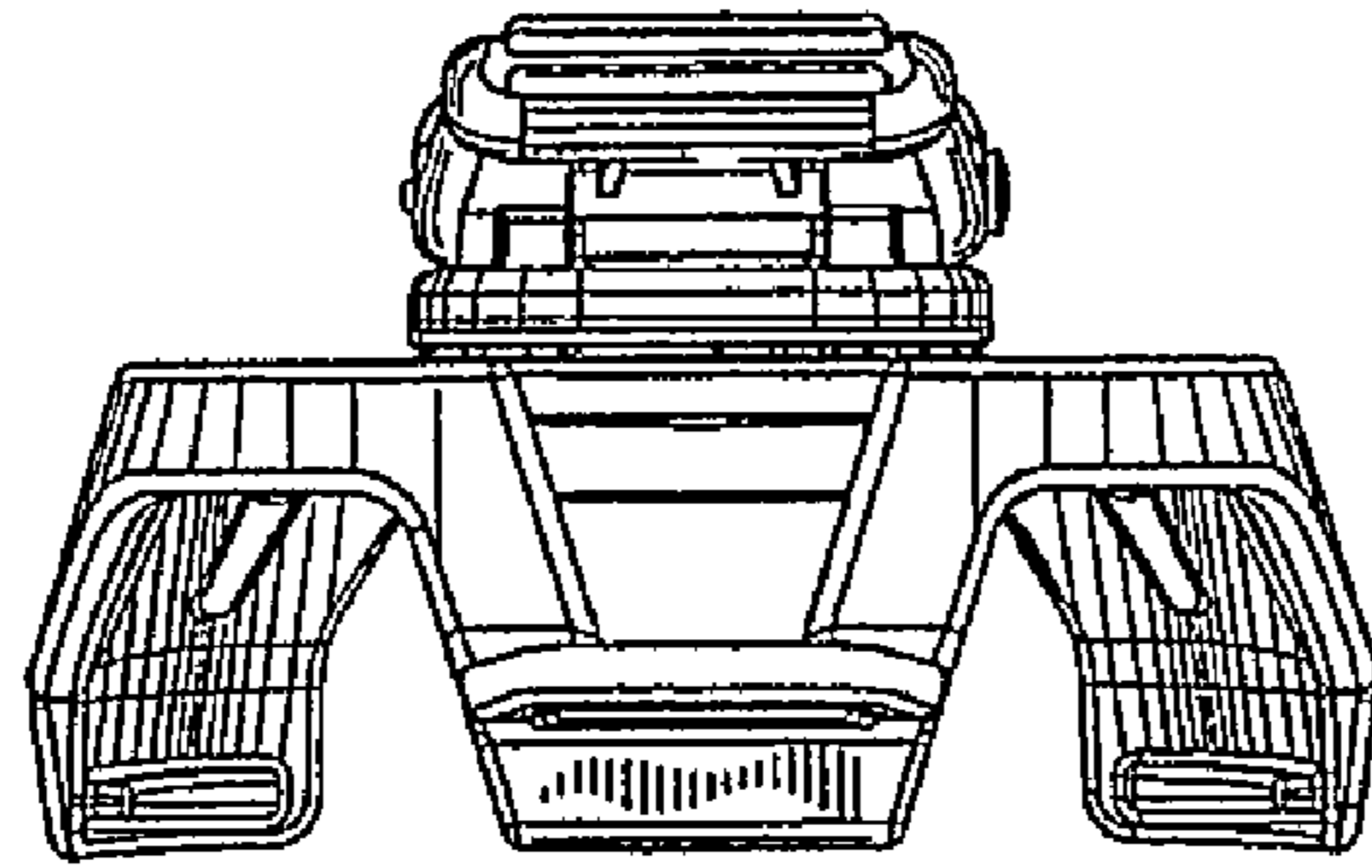


FIG. 20

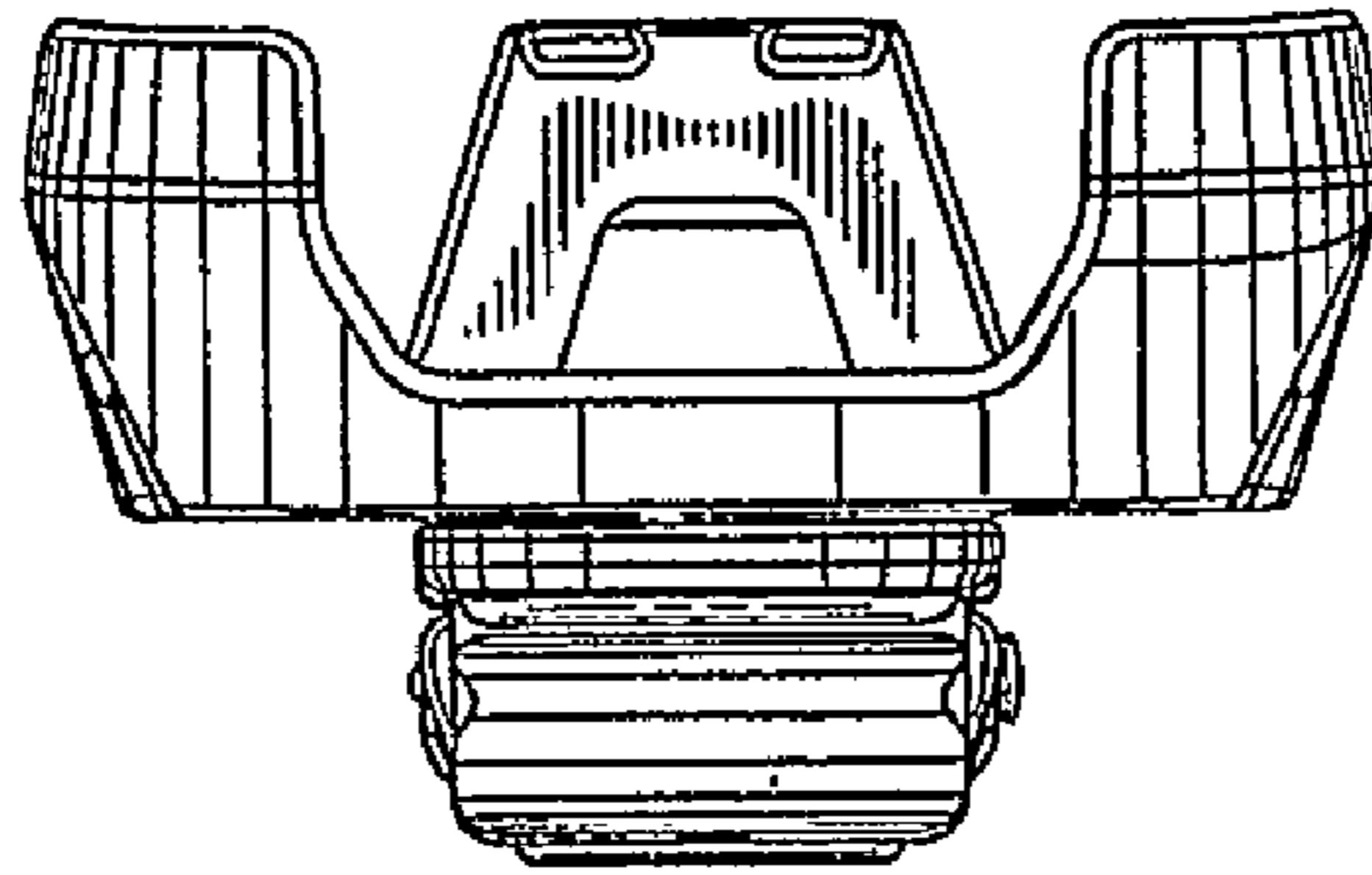


FIG. 21

U.S. Patent

Mar. 21, 2006

Sheet 16 of 20

D517,310 S

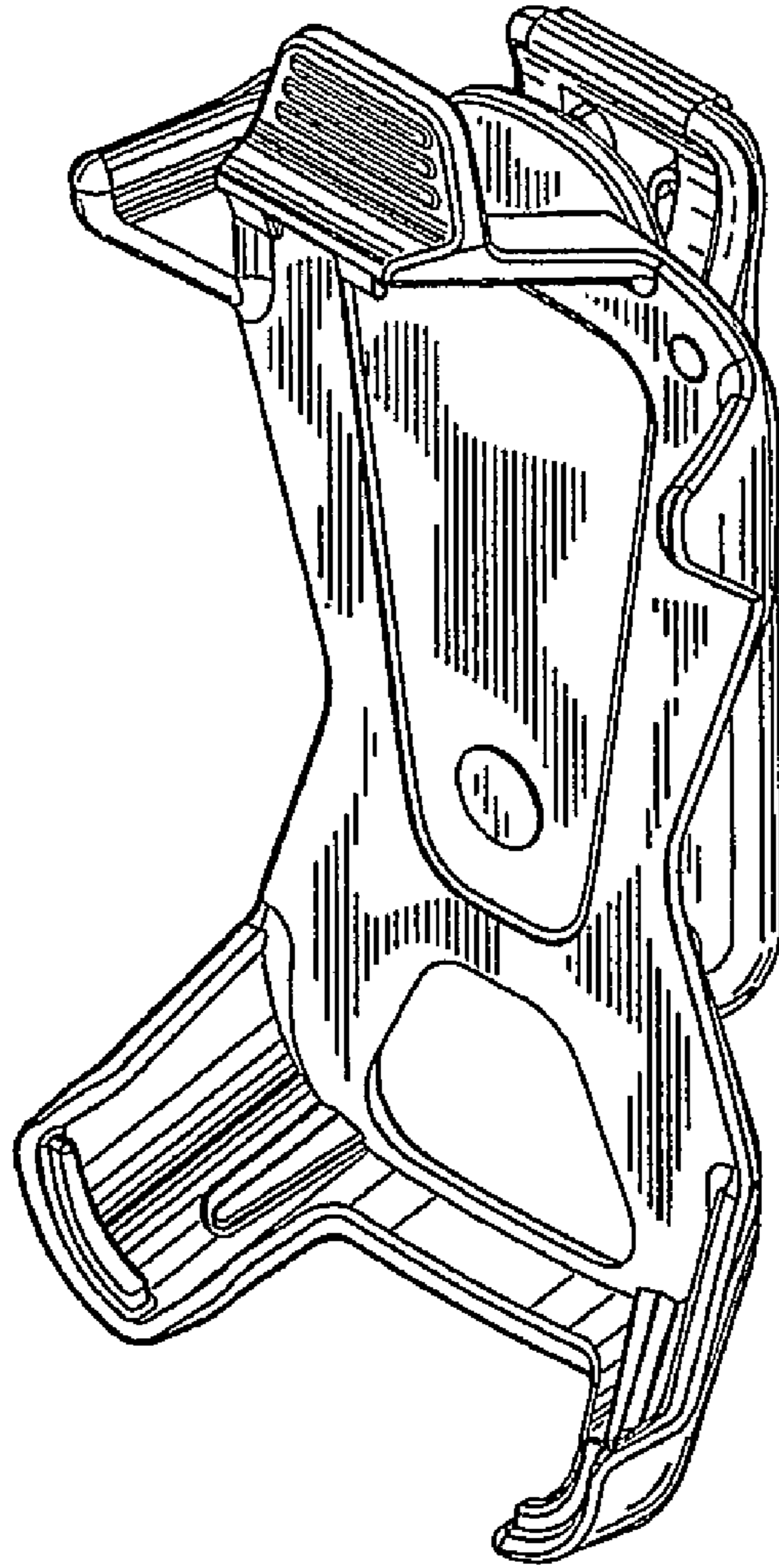


FIG. 22

U.S. Patent

Mar. 21, 2006

Sheet 17 of 20

D517,310 S

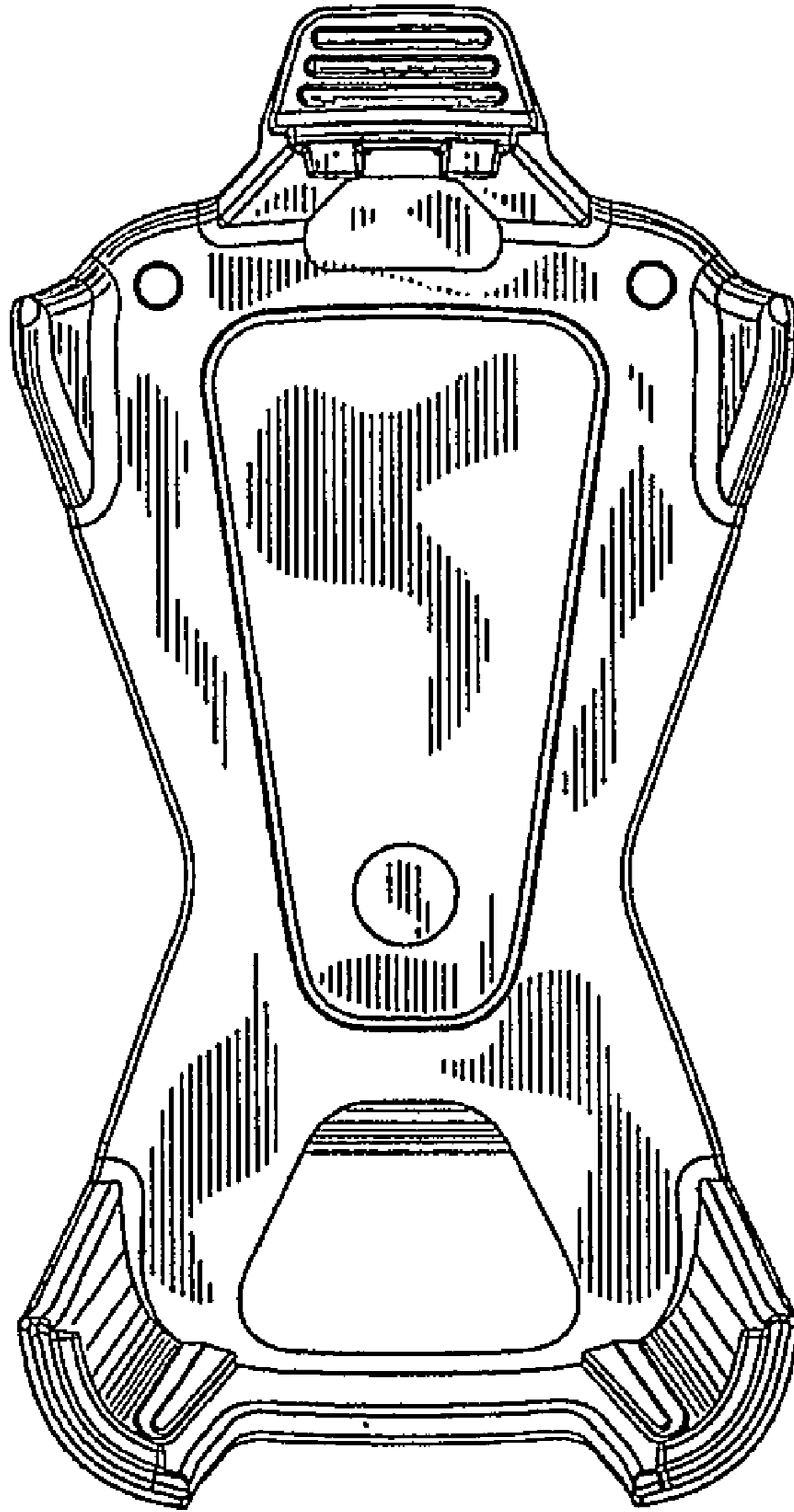


FIG. 23

U.S. Patent

Mar. 21, 2006

Sheet 18 of 20

D517,310 S

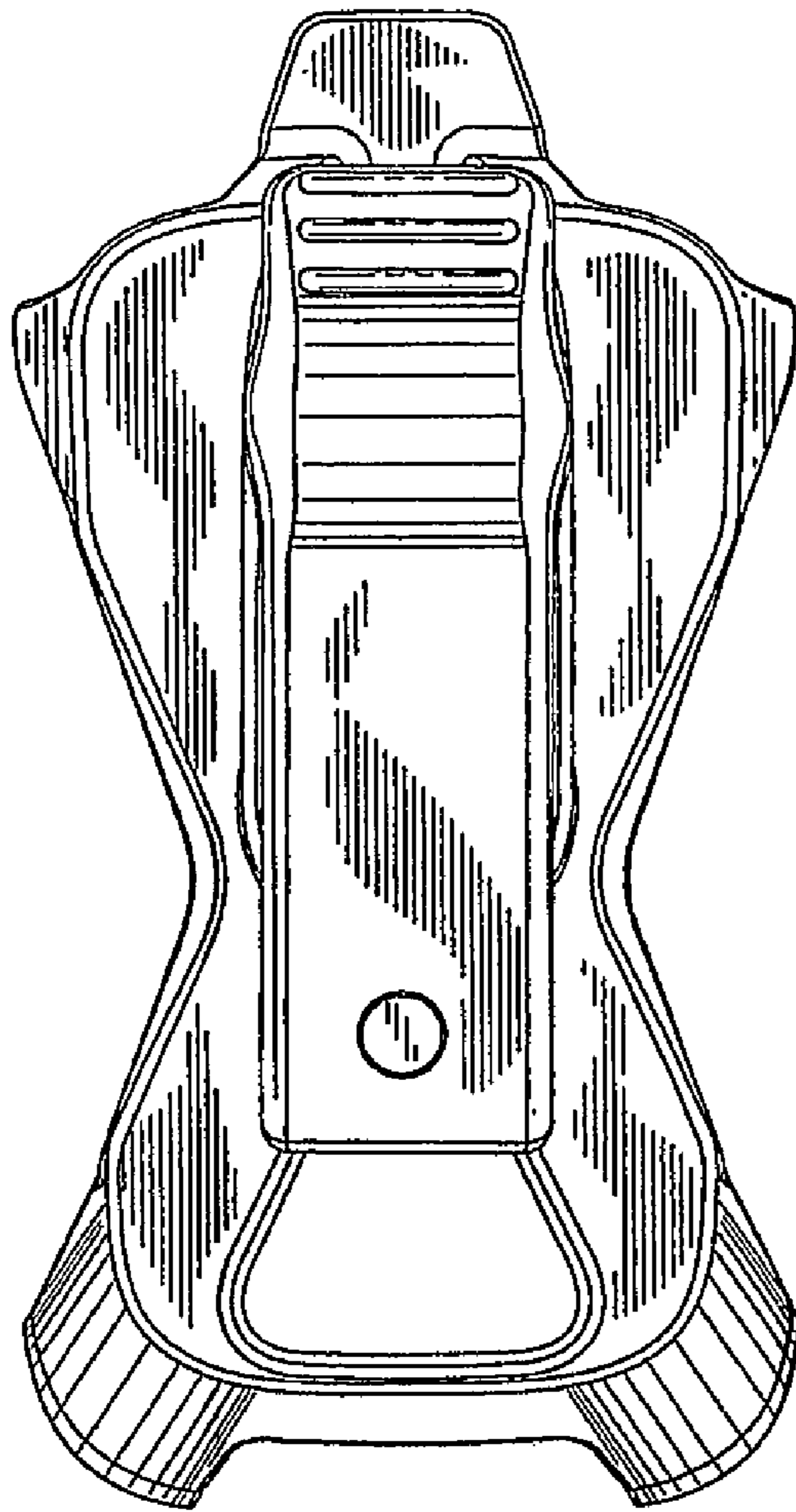


FIG. 24

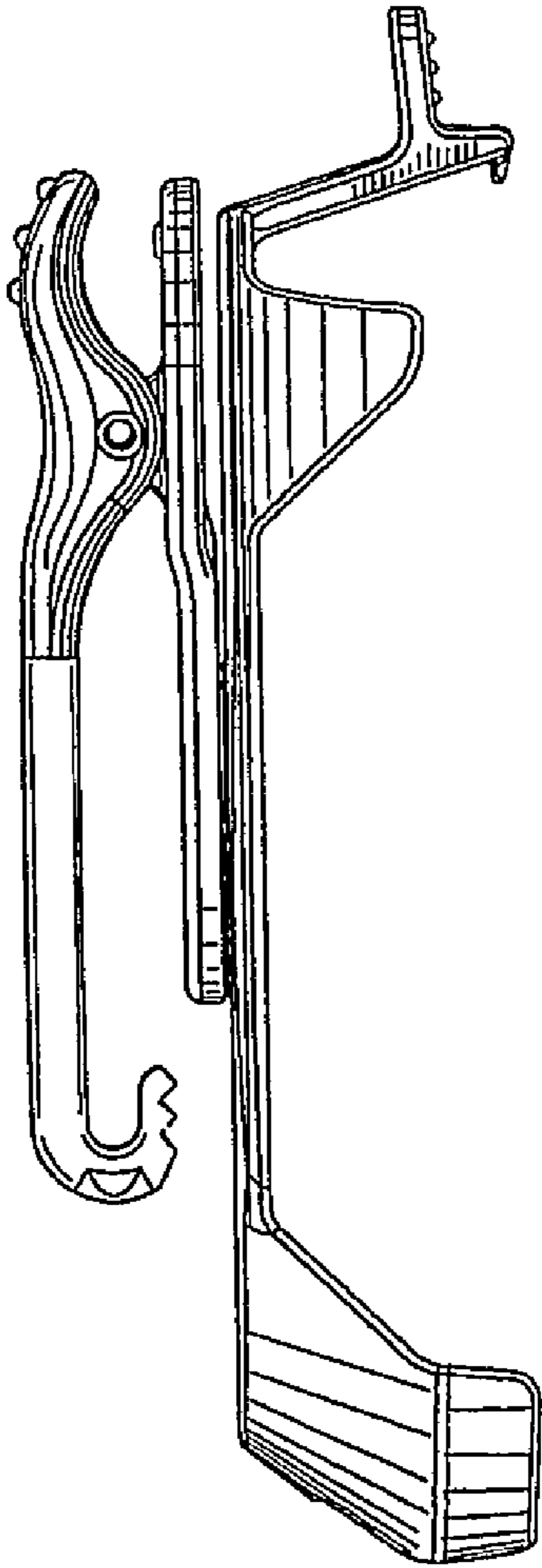


FIG. 25

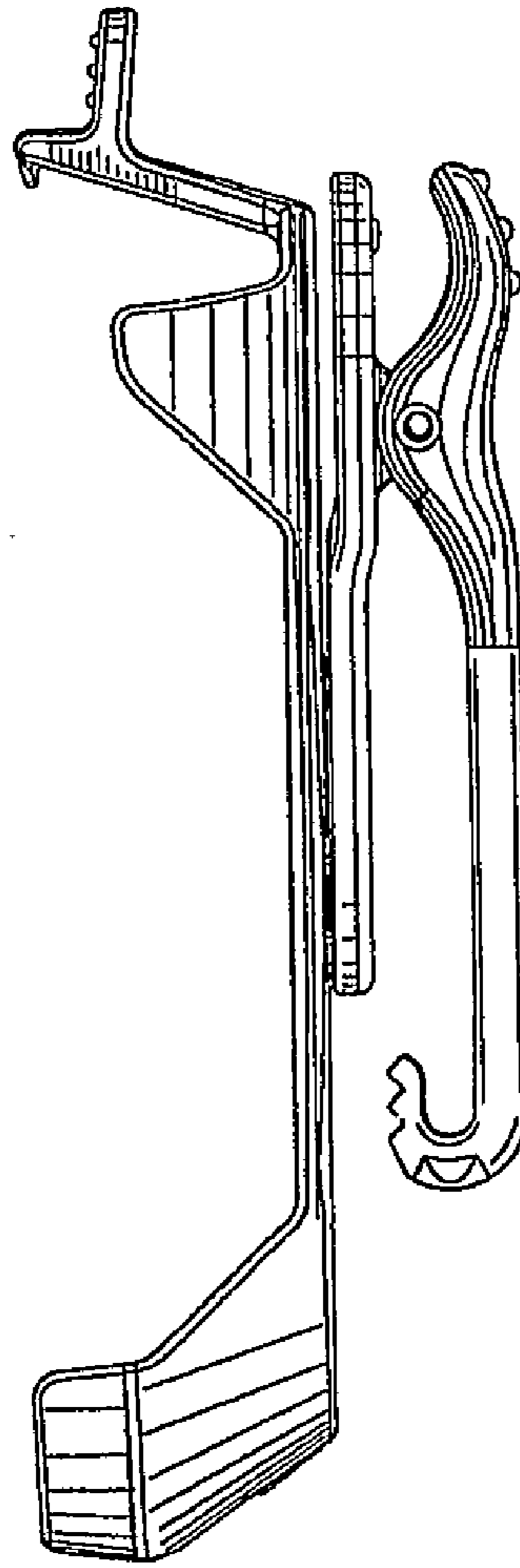


FIG. 26

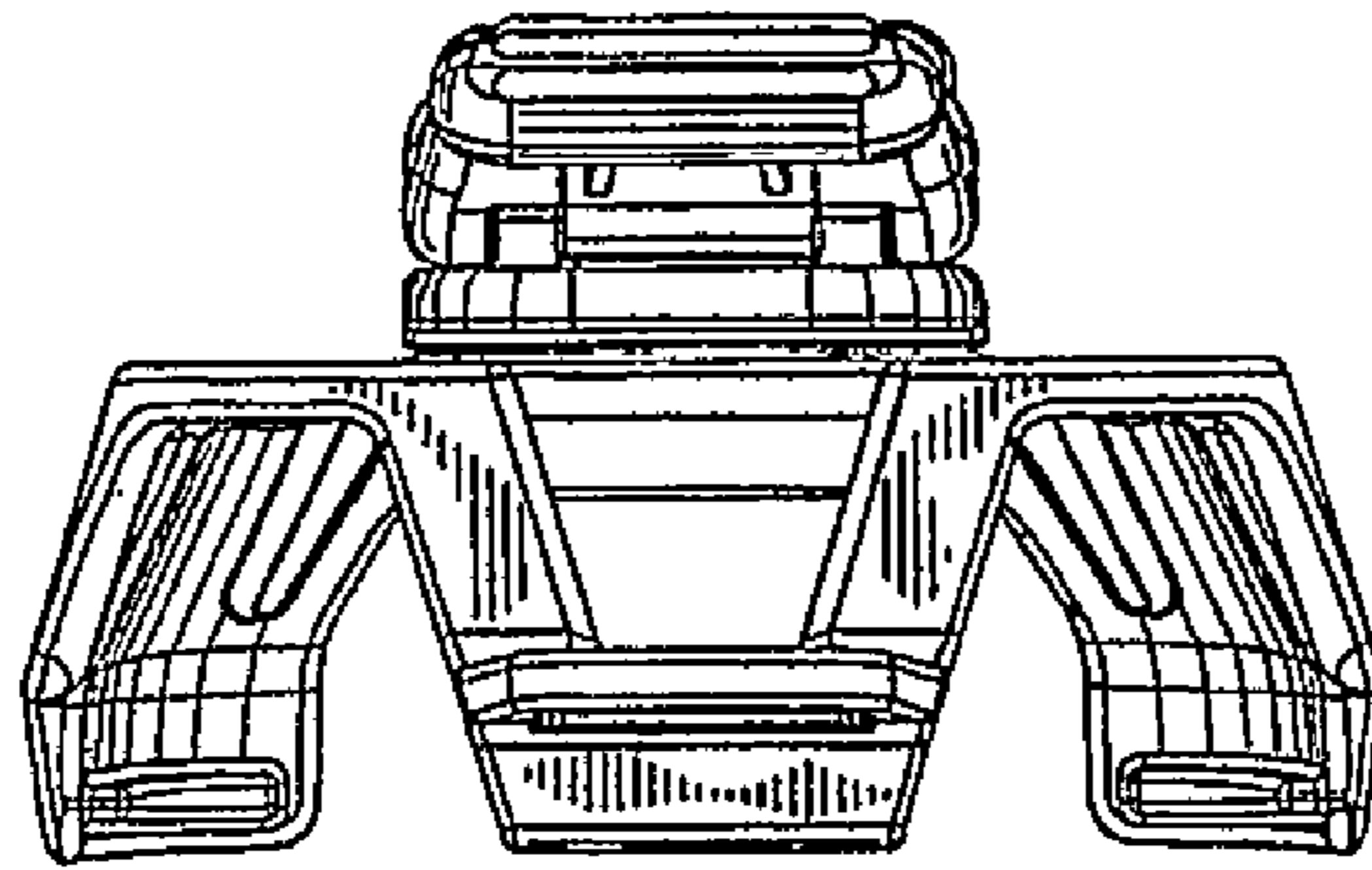


FIG. 27

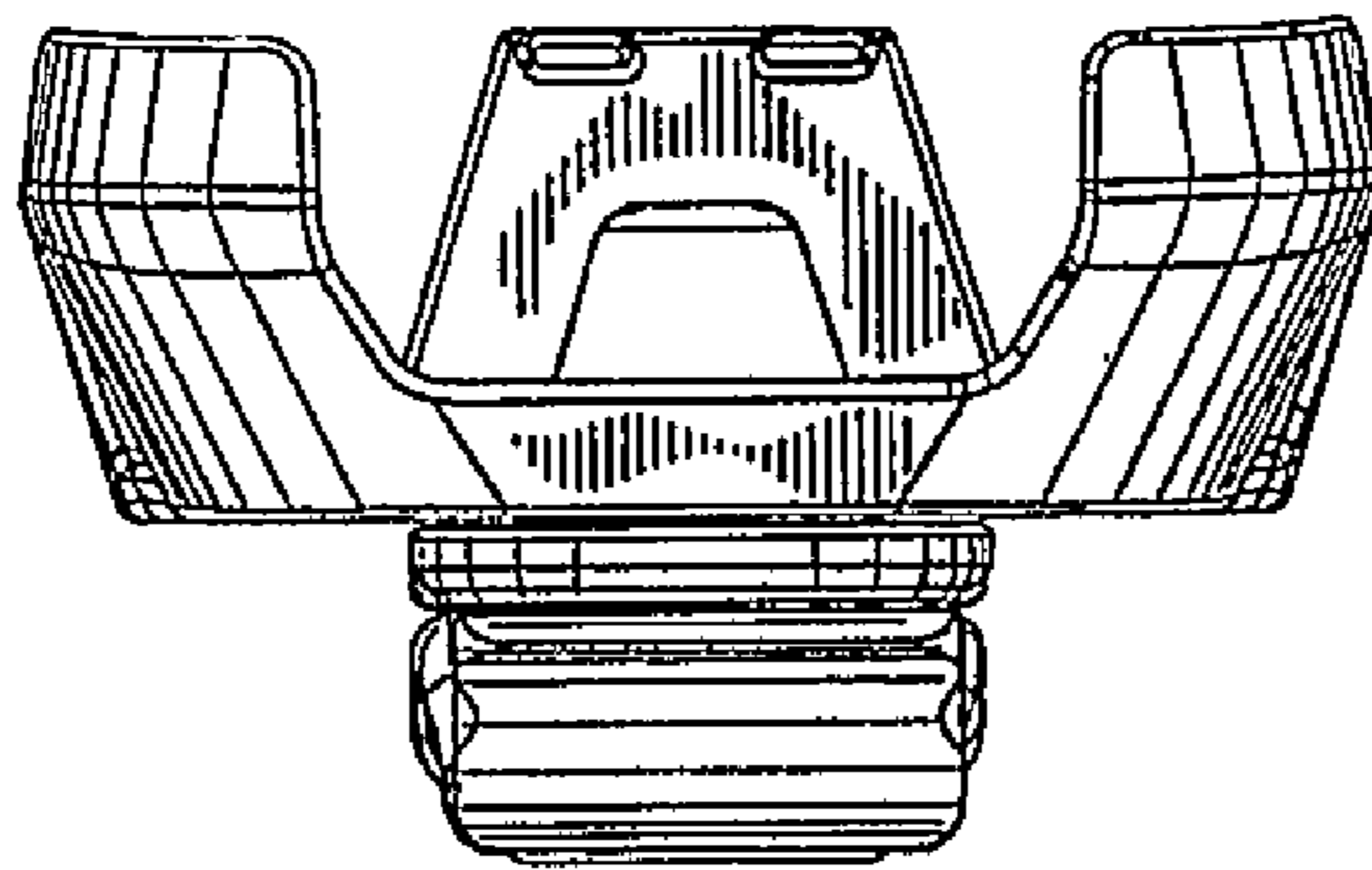


FIG. 28