

US00D517307S

(12) **United States Design Patent**
Ko

(10) **Patent No.:** **US D517,307 S**

(45) **Date of Patent:** **** Mar. 21, 2006**

(54) **FLAT UMBRELLA SHAFT**

2004/0069334 A1 * 4/2004 Ko 135/25.4

(76) Inventor: **Chin Sung Ko**, No. 38, Din Nan Road,
Ho Mei Town, Changhua Shien (TW)

* cited by examiner

(**) Term: **14 Years**

Primary Examiner—Sandra S. Snapp

(74) *Attorney, Agent, or Firm*—Rosenberg, Klein & Lee

(21) Appl. No.: **29/227,356**

(57) **CLAIM**

(22) Filed: **Apr. 11, 2005**

The ornamental design for a flat umbrella shaft, as shown and described.

(51) **LOC (8) Cl.** **03-03**

DESCRIPTION

(52) **U.S. Cl.** **D3/10**

(58) **Field of Classification Search** D3/5-17;
135/65, 68, 72, 74, 75, 77, 80, 15.1, 16, 20.1,
135/22, 25.1, 27, 19.5, 25.4; 362/102; 297/184.16
See application file for complete search history.

FIG. 1 is a perspective view of a flat umbrella shaft showing my new design.

FIG. 2 is a front plan view thereof.

FIG. 3 is a rear plan view thereof.

FIG. 4 is a top plan view thereof.

FIG. 5 is a bottom plan view thereof.

FIG. 6 is a left side plan view thereof.

FIG. 7 is a right side plan view thereof.

FIG. 8 is an enlarged view of FIG. 6.

FIG. 9 is an enlarged view of FIG. 7; and,

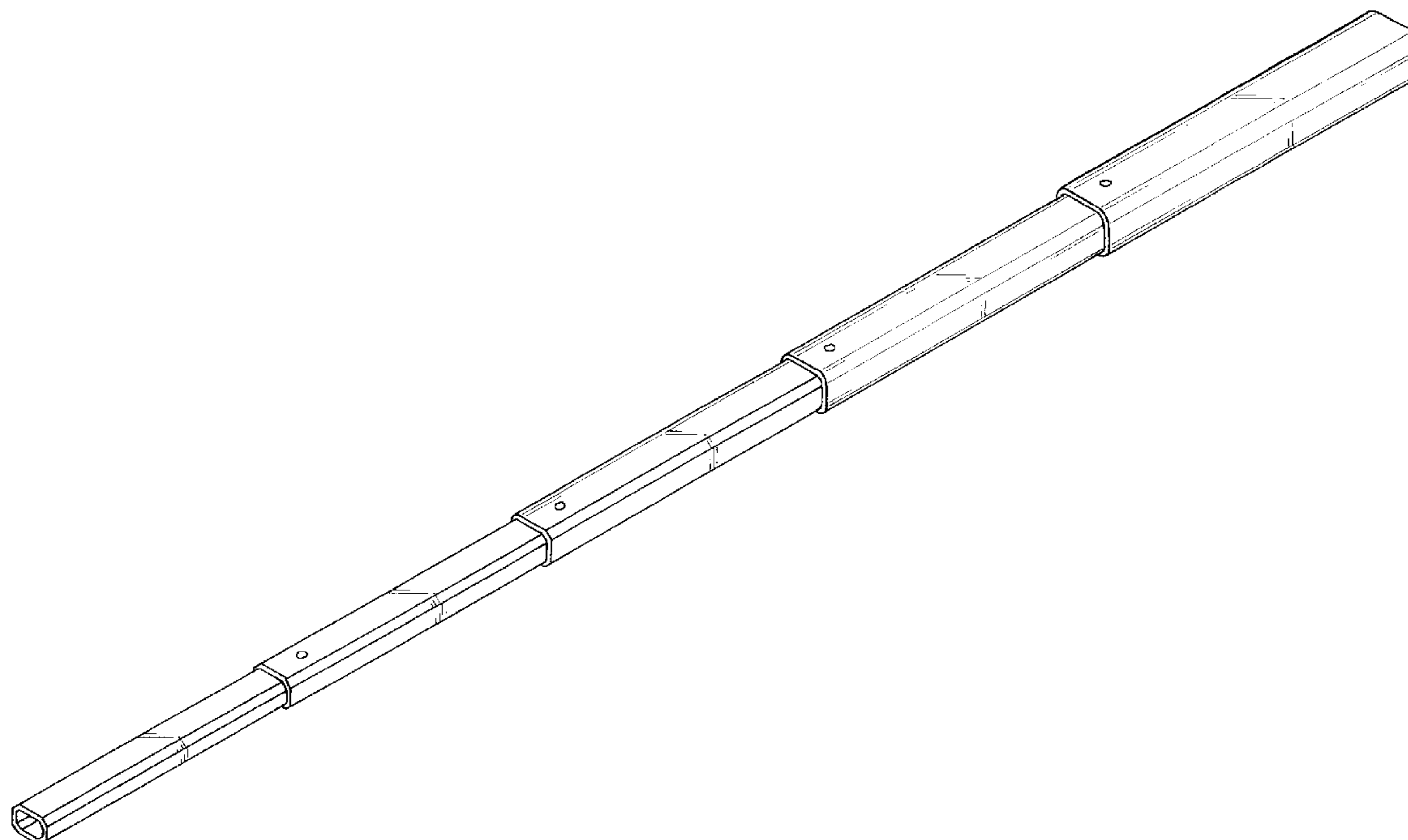
FIG. 10 is an enlarged side view of each concentric segment of the shaft shown separately for clarity of illustration.

(56) **References Cited**

U.S. PATENT DOCUMENTS

1,632,639	A	*	6/1927	Weise	135/75
5,493,480	A	*	2/1996	Huang	362/102
5,702,198	A	*	12/1997	Kuo	403/377
6,371,686	B1	*	4/2002	Wu	403/377
6,418,949	B1	*	7/2002	Lin et al.	135/25.1
D487,843	S	*	3/2004	Ko	D3/10
D503,035	S	*	3/2005	Ko	D3/5

1 Claim, 4 Drawing Sheets



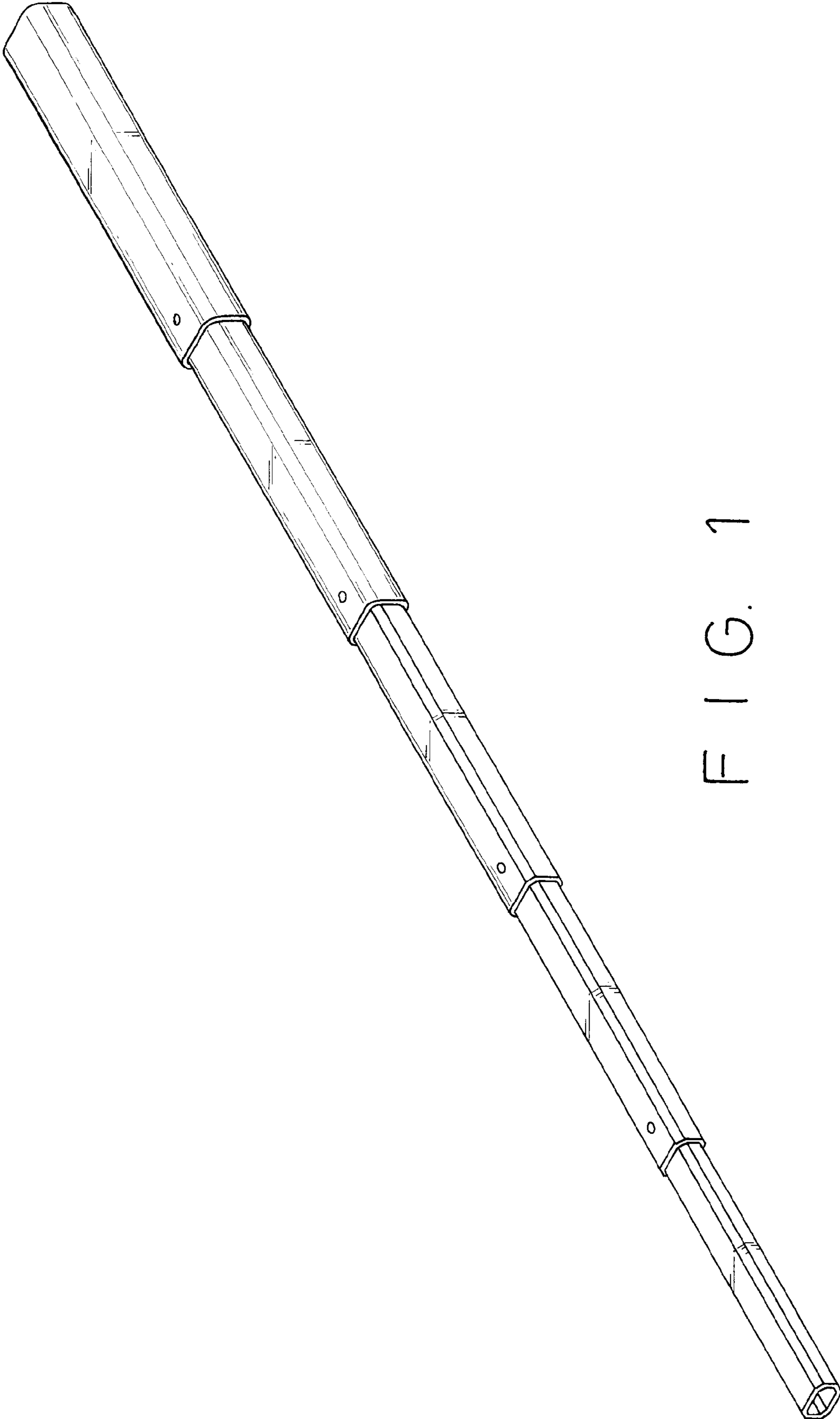


FIG. 1



FIG. 2



FIG. 3

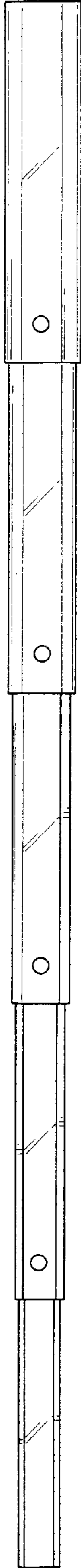


FIG. 4



FIG. 5



FIG. 6



FIG. 7

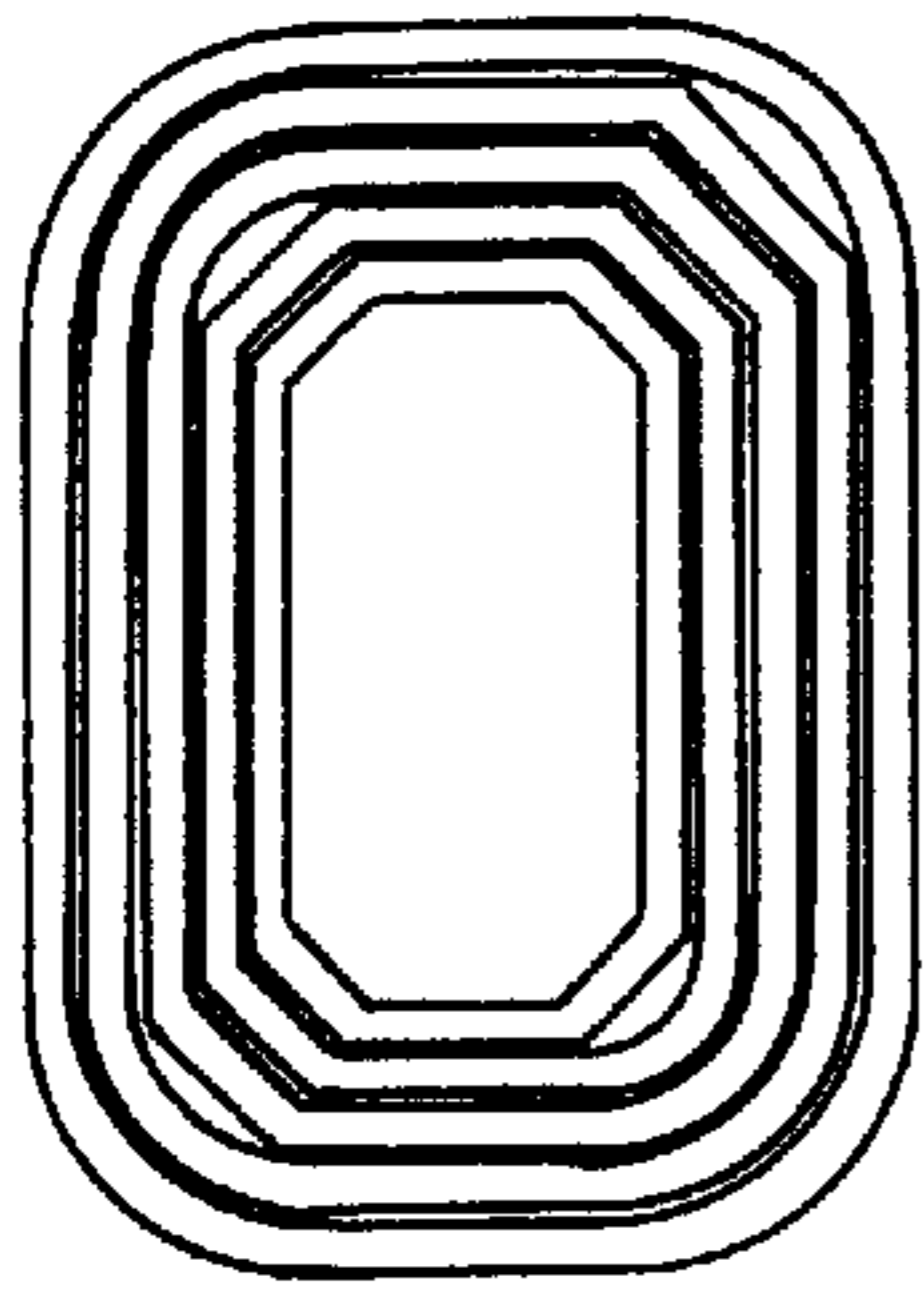


FIG. 8

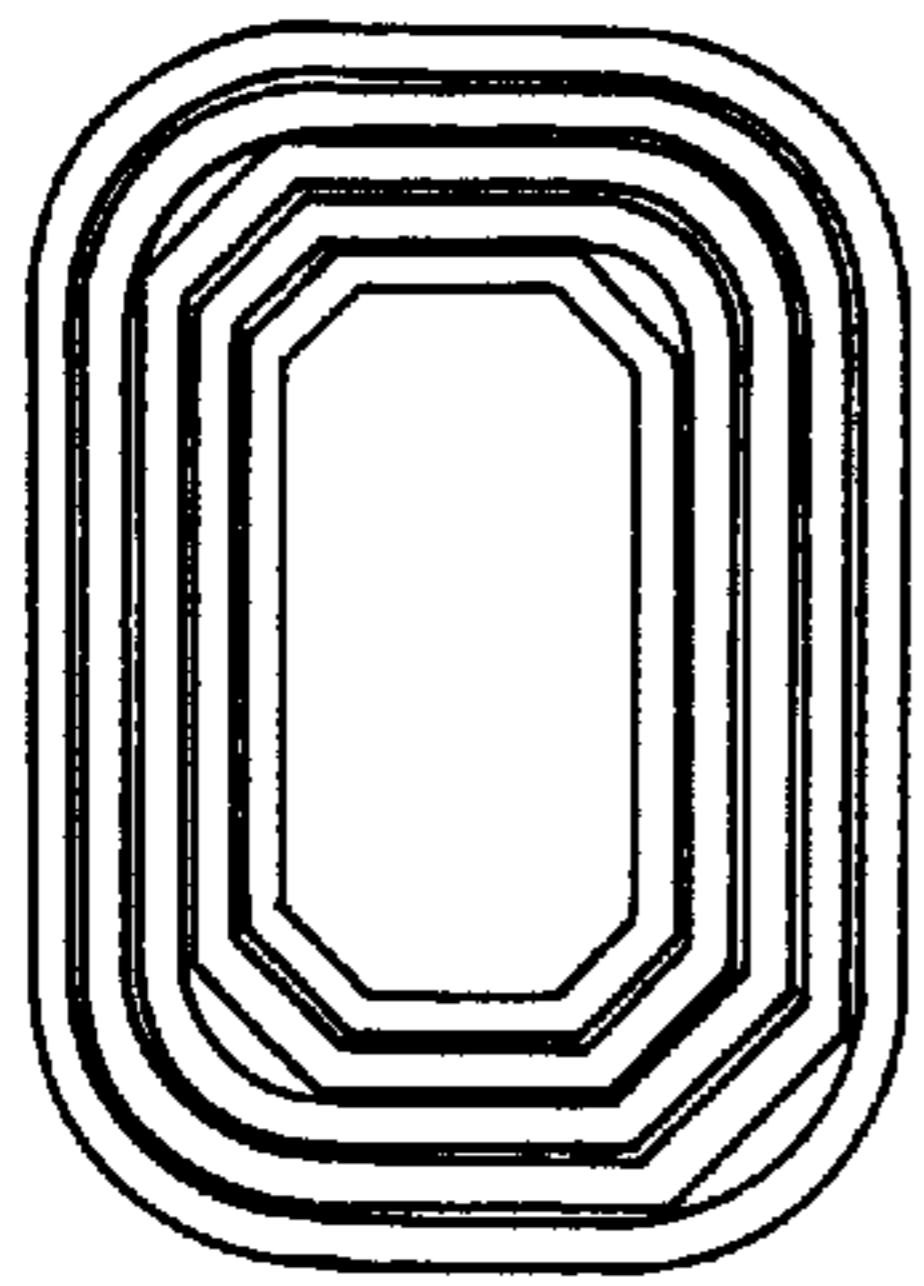


FIG. 9

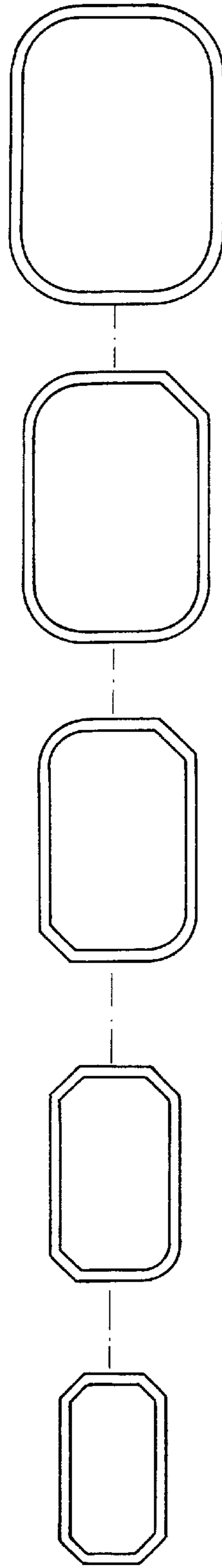


FIG. 10