



US00D517287S

(12) **United States Design Patent**
Burmester

(10) **Patent No.:** **US D517,287 S**
(45) **Date of Patent:** **** Mar. 21, 2006**

(54) **VISOR FOR A CAP OR HEADBAND**

(76) Inventor: **Michael Burmester**, Bahnhofstrasse 43,
22946 Trittau (DE)

(**) Term: **14 Years**

(21) Appl. No.: **29/228,444**

(22) Filed: **Apr. 22, 2005**

Related U.S. Application Data

(62) Division of application No. 29/168,376, filed on Sep. 30,
2002, now Pat. No. Des. 507,093.

(30) **Foreign Application Priority Data**

Mar. 30, 2002 (DE) 402 02 875

(51) **LOC (8) Cl.** **02-03**

(52) **U.S. Cl.** **D2/893**

(58) **Field of Classification Search** D2/865,
D2/866, 868, 869, 871, 872, 873, 875-877,
D2/879-882, 884, 886, 893, 894; 2/10, 12,
2/171, 181, 175.1, 195.1-195.5, 209.11-209.13
See application file for complete search history.

(56) **References Cited**

U.S. PATENT DOCUMENTS

2,716,753 A * 9/1955 Gordon 2/195.1
D294,877 S * 3/1988 Burley D2/893

D349,596 S * 8/1994 Booth D2/893
D350,847 S * 9/1994 Thomas D2/882
D353,035 S * 12/1994 Sheehan D2/866
D369,014 S * 4/1996 Lucas D2/866
5,553,325 A * 9/1996 Gutierrez 2/171
D377,108 S * 1/1997 Schulz D2/893
D384,488 S * 10/1997 Kaufman D2/866
D396,136 S * 7/1998 Stein D2/872
D441,938 S * 5/2001 Davis D2/882
D446,631 S * 8/2001 Davis D2/882

* cited by examiner

Primary Examiner—Mimosa De

(74) *Attorney, Agent, or Firm*—Cohen, Pontani, Lieberman
& Pavane

(57) **CLAIM**

The ornamental design for a visor for a cap or headband, as
shown and described.

DESCRIPTION

FIG. 1 is an elevated perspective view of a visor for a cap
or headband showing my new design, the broken line
showing a cap being for illustrative purposes only and forms
no part of the claimed design;

FIG. 2 is a top plan view of the visor of FIG. 1;

FIG. 3 is a front plan view thereof; and,

FIG. 4 is a side view thereof, the undisclosed side being a
mirror image.

1 Claim, 2 Drawing Sheets

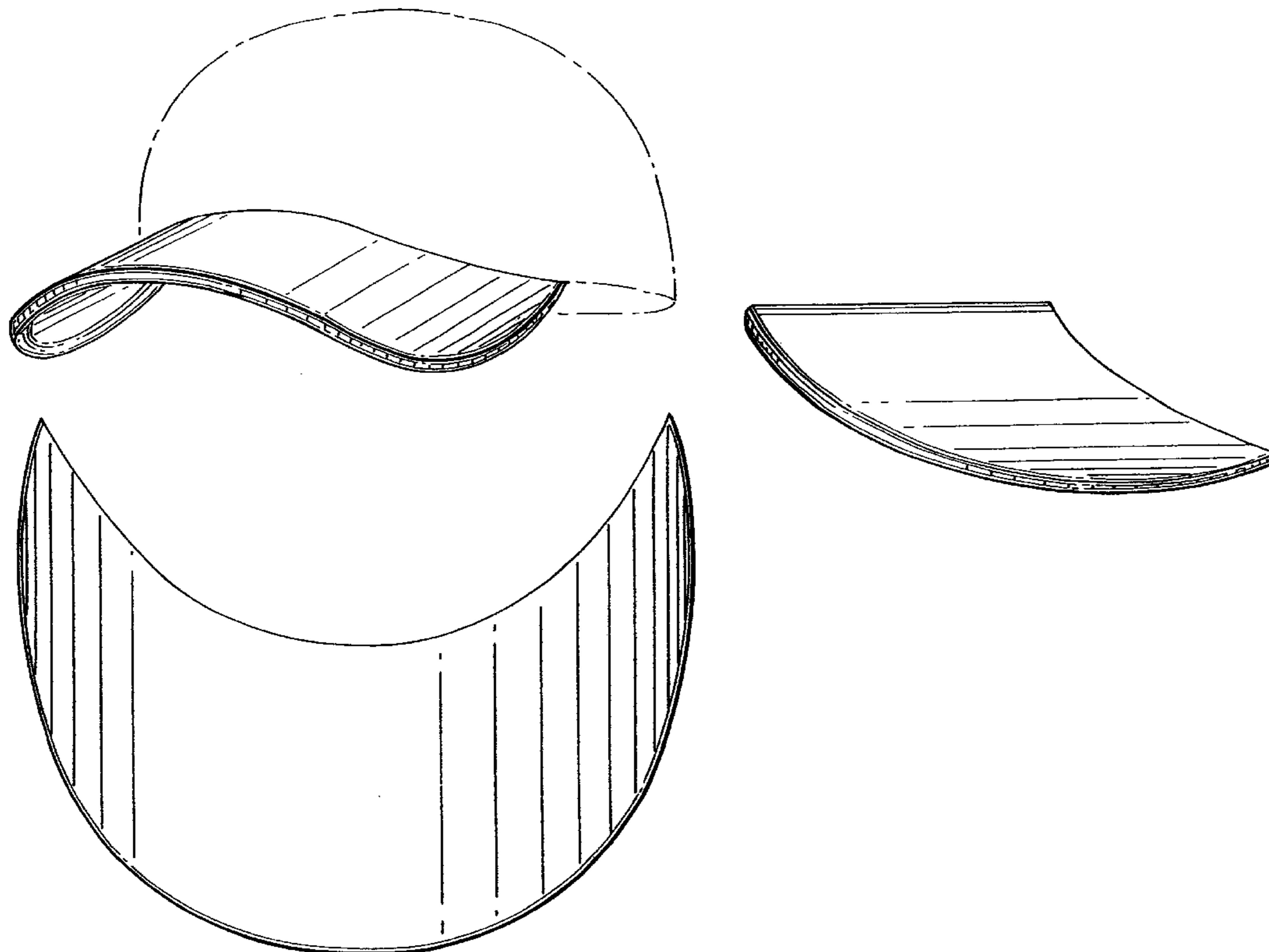


FIG. 1

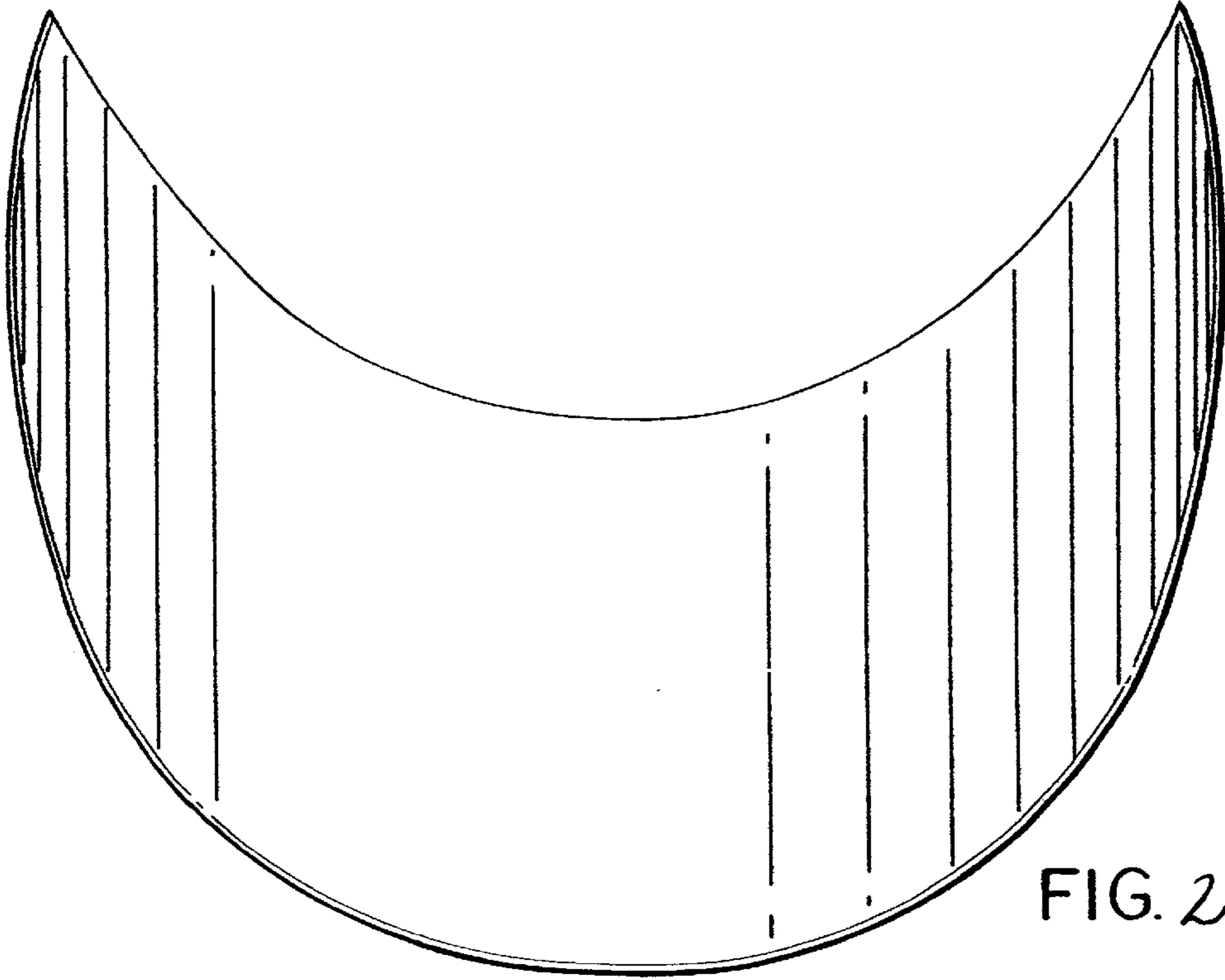
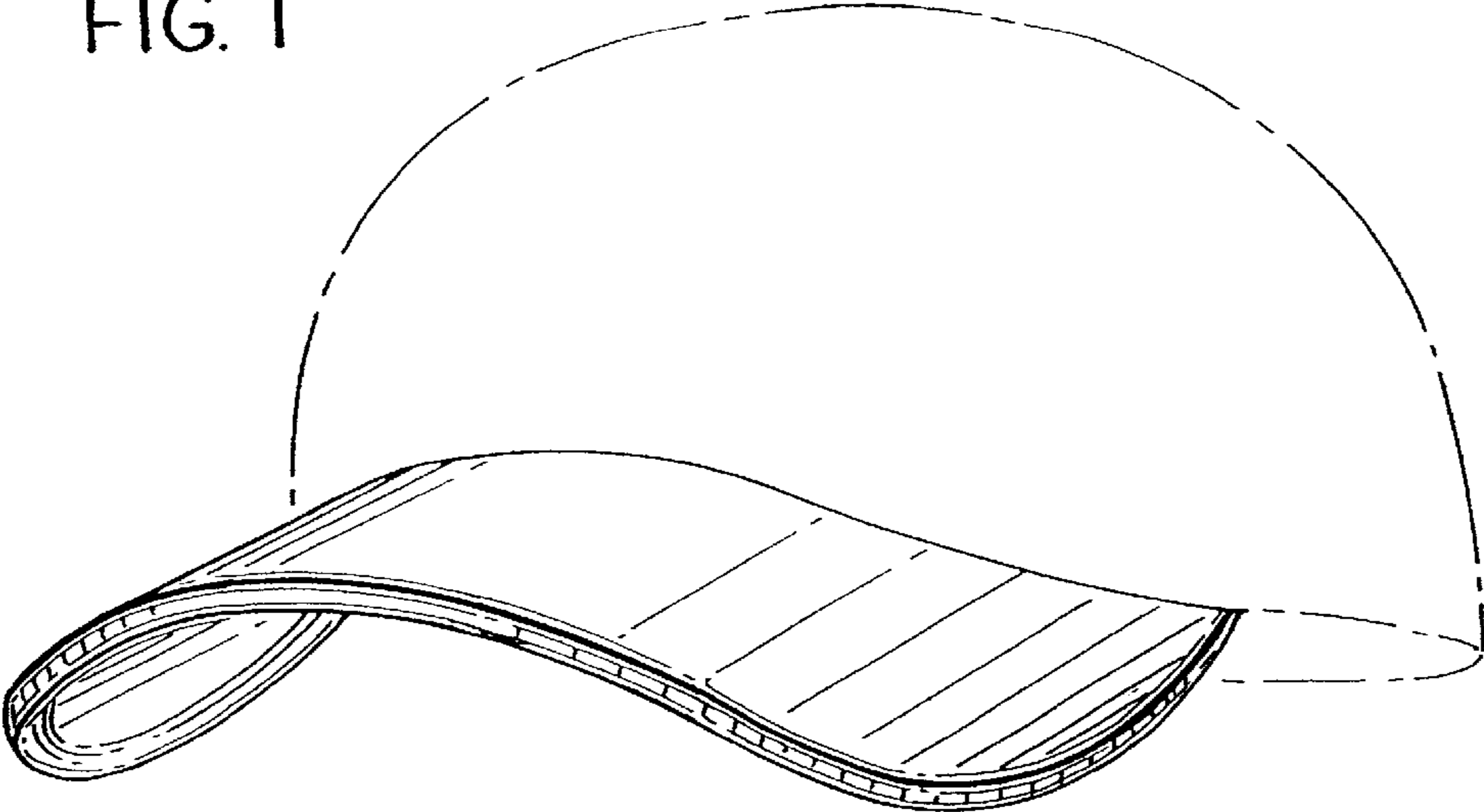


FIG. 2

FIG. 3

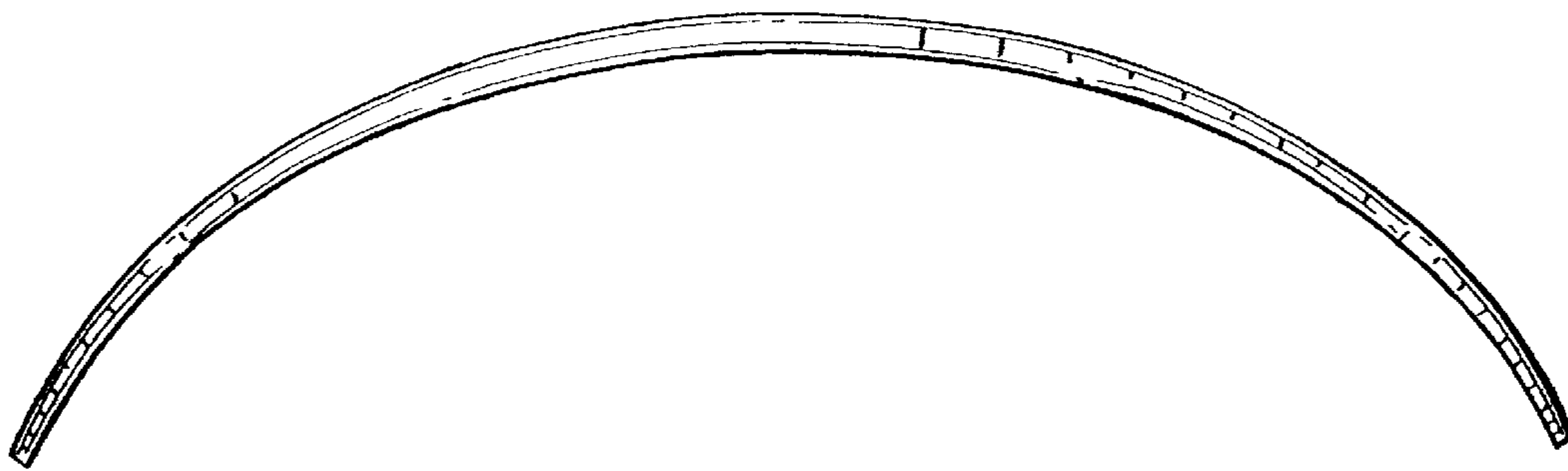


FIG. 4

