



US00D517271S

(12) **United States Design Patent**  
**Go et al.**

(10) **Patent No.: US D517,271 S**  
(45) **Date of Patent: \*\* Mar. 21, 2006**

(54) **CANDY PHONE**

(75) Inventors: **Robert T. Go**, Happy Valley (HK);  
**Daniel C. Go**, Stanley (HK); **Ian Gavin**, Fife (GB)

(73) Assignee: **Topright International, Ltd.**, Wanchai (HK)

(\*\*) Term: **14 Years**

(21) Appl. No.: **29/204,146**

(22) Filed: **Apr. 23, 2004**

(30) **Foreign Application Priority Data**

Jan. 14, 2004 (EM) ..... 000128152

(51) **LOC (8) Cl.** ..... **01-01**

(52) **U.S. Cl.** ..... **D1/104**; 426/104; D1/106;  
D14/144

(58) **Field of Classification Search** ..... D1/104,  
D1/106; 426/104, 90; D14/142-144, 137-138,  
D14/344-346, 403, 240, 259, 341; 345/156,  
345/168-169, 172

See application file for complete search history.

(56) **References Cited**

**U.S. PATENT DOCUMENTS**

D416,371 S \* 11/1999 Mehdikhan ..... D1/104

6,103,278 A \* 8/2000 Lluch ..... 426/90  
6,120,816 A \* 9/2000 Chan ..... 426/104  
D433,017 S \* 10/2000 Martinez ..... D14/346  
D435,837 S \* 1/2001 Suzuki et al. .... D14/138  
D440,569 S \* 4/2001 Chang et al. .... D14/403

\* cited by examiner

*Primary Examiner*—Pamela Burgess

(74) *Attorney, Agent, or Firm*—Young & Basile, P.C.

(57) **CLAIM**

The ornamental design for a candy phone, as shown and described.

**DESCRIPTION**

FIG. 1 is a front view of an article embodying the ornamental design constituting our invention;

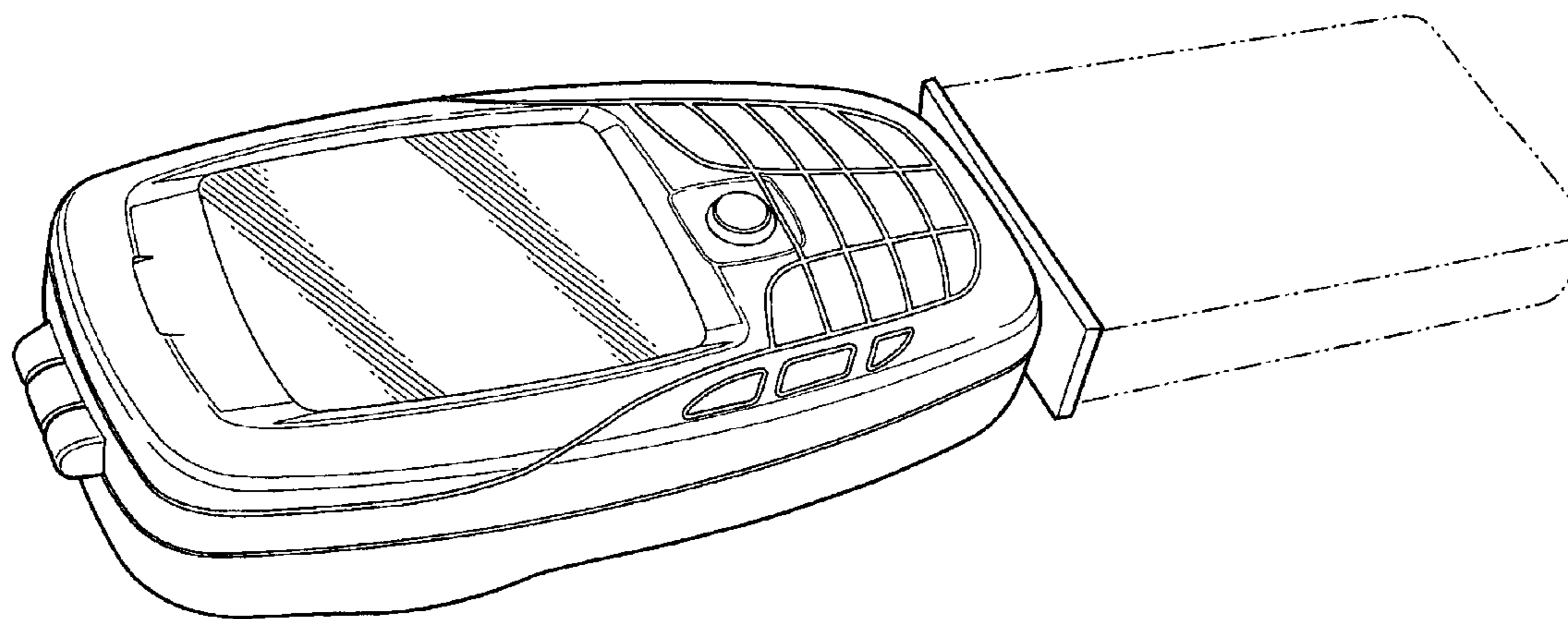
FIG. 2 is a rear view of the article of FIG. 1;

FIG. 3 is a perspective view of the article of FIG. 1 in an opened condition; and,

FIG. 4 is a perspective view of the article of FIG. 1, with the interior holder element shown in FIG. 3 in an alternate position.

The broken lines shown in FIGS. 3 and 4 are for illustrative purposes only and form no part of the claimed design.

**1 Claim, 3 Drawing Sheets**



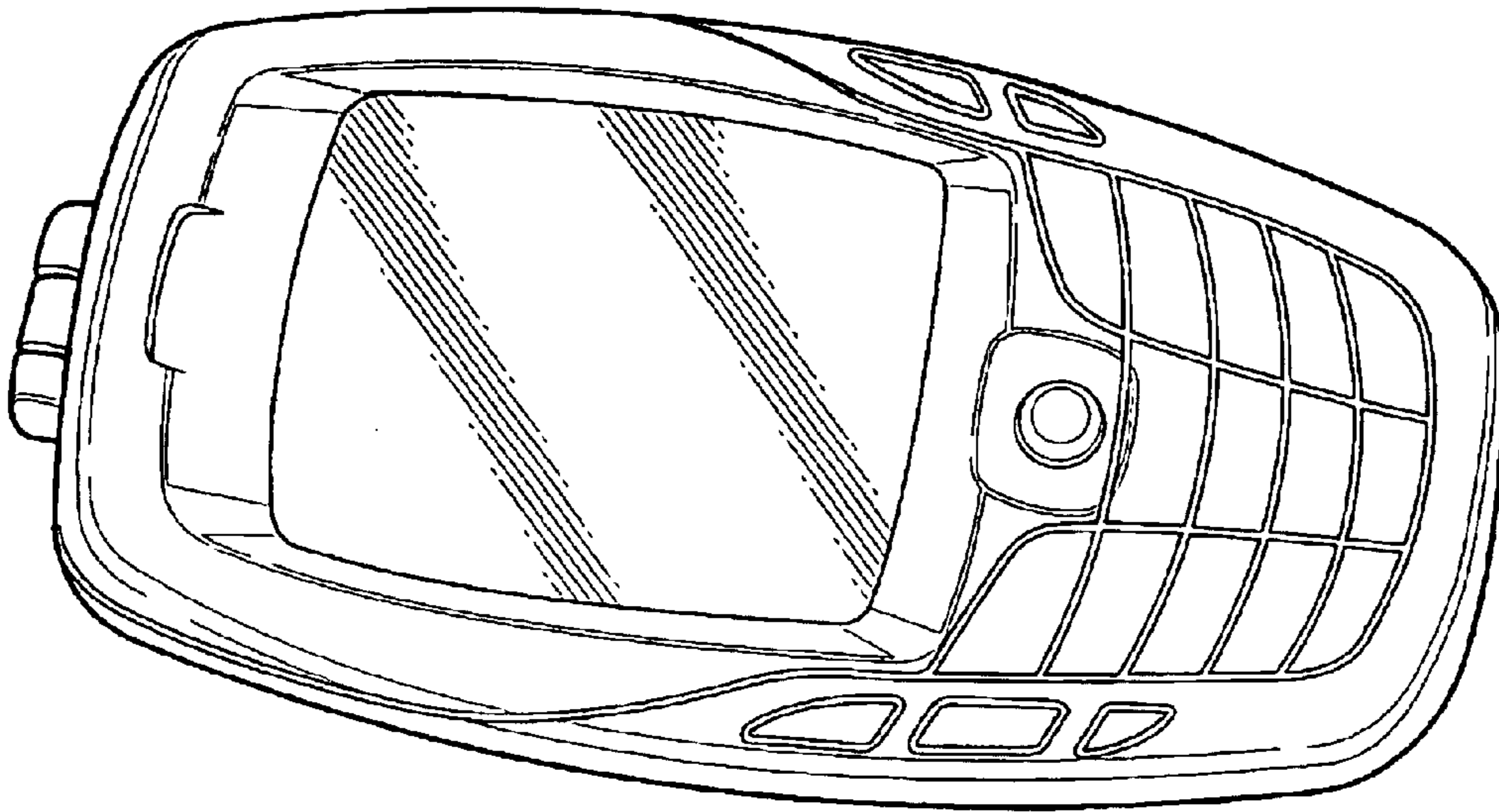


FIG - 1

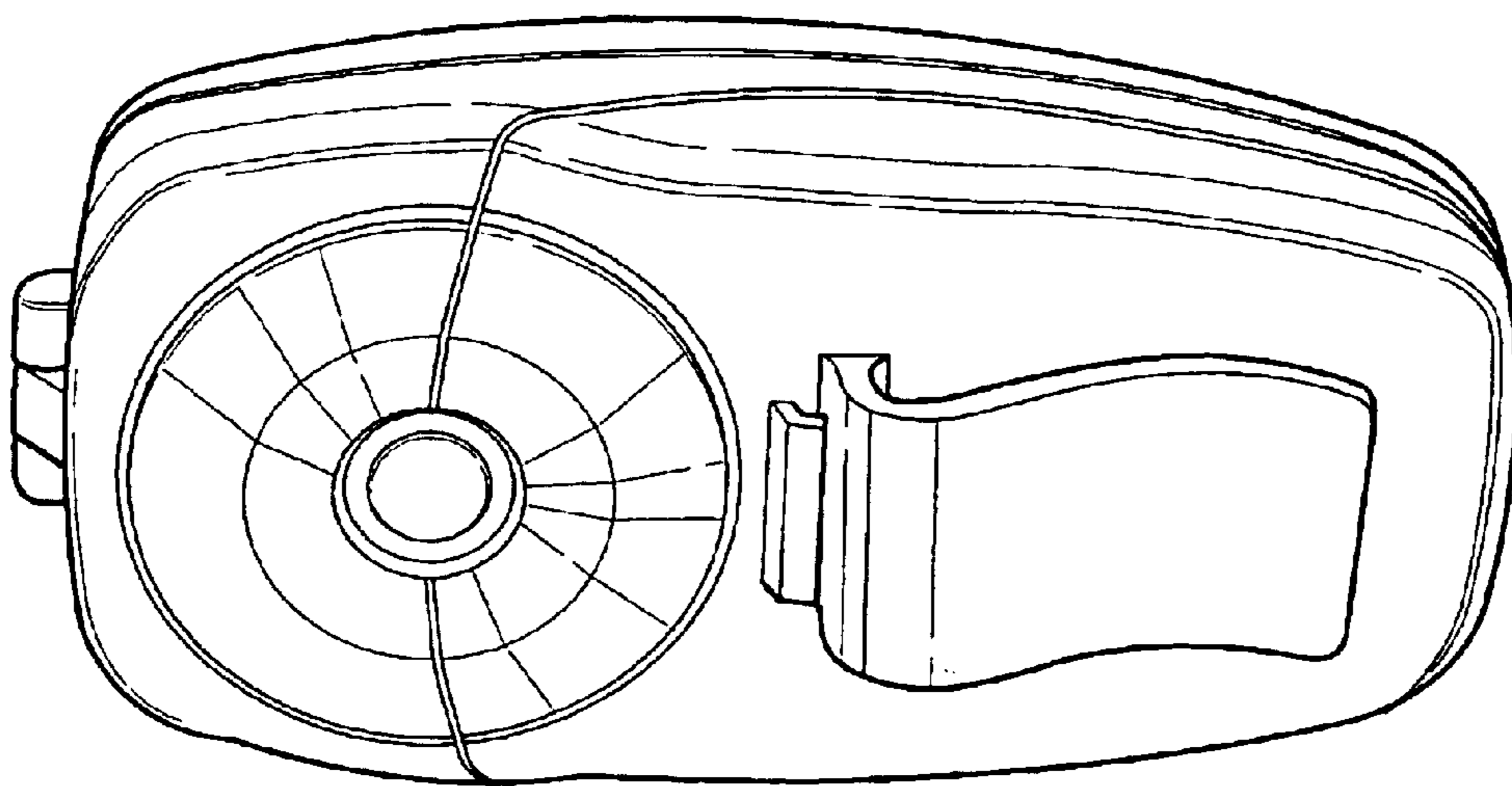


FIG - 2

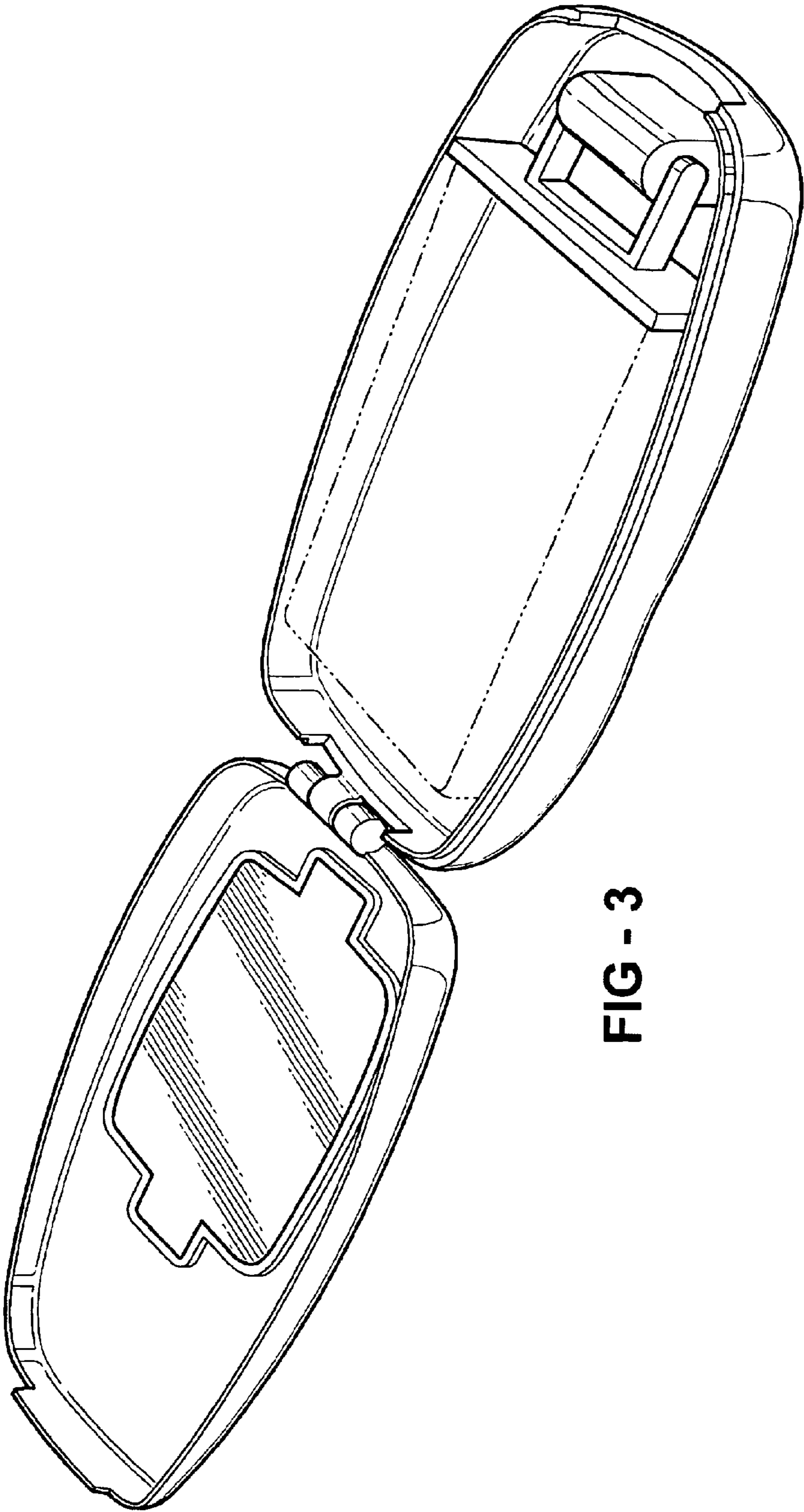


FIG - 3

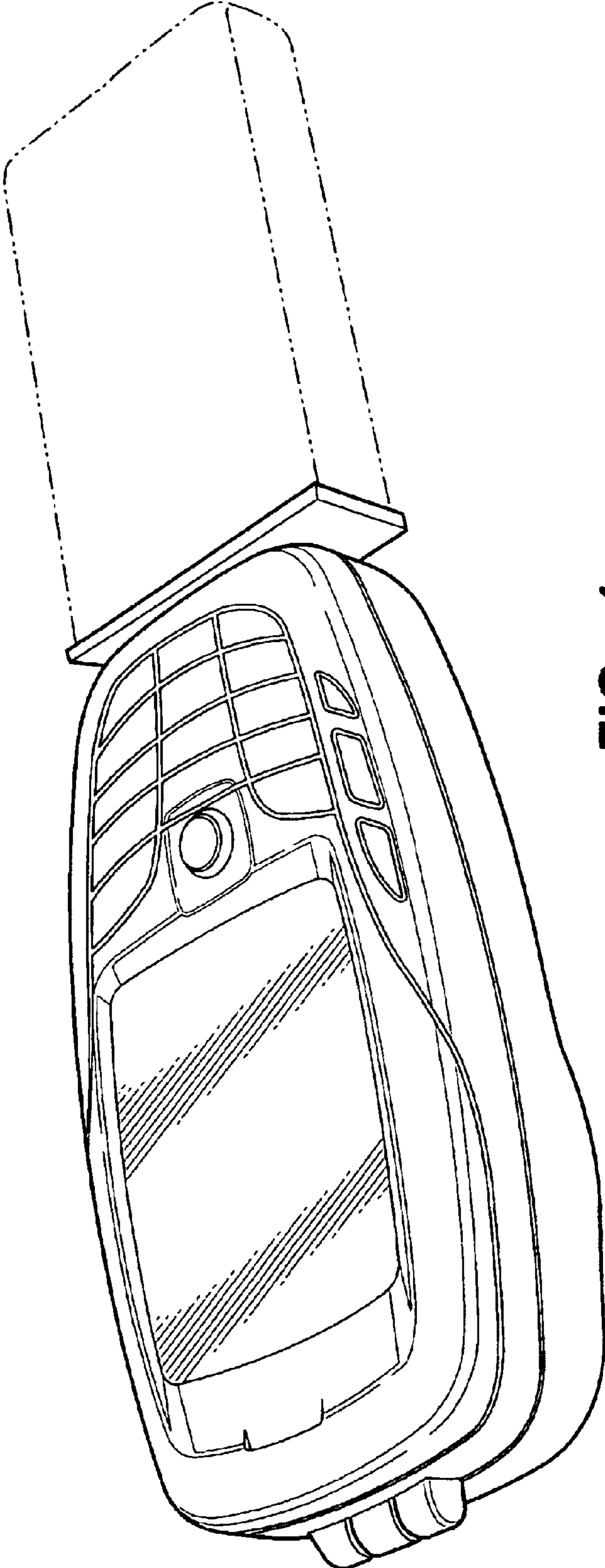


FIG - 4