



US00D517268S

(12) **United States Design Patent**
Fatzinger

(10) **Patent No.:** **US D517,268 S**
(45) **Date of Patent:** **** Mar. 14, 2006**

- (54) **RETRACTABLE TOWROPE**
- (76) Inventor: **Edward C. Fatzinger**, 105 Bayview Dr., Manhattan Beach, CA (US) 90266
- (**) Term: **14 Years**
- (21) Appl. No.: **29/201,439**
- (22) Filed: **Mar. 15, 2004**
- (51) **LOC (8) Cl.** **12-05**
- (52) **U.S. Cl.** **D34/33**
- (58) **Field of Classification Search** D34/28, D34/33; D22/199; 254/374, 264, 266, 371, 254/372; 242/601, 613.1
See application file for complete search history.

- D420,484 S * 2/2000 Nichols D34/33
- D434,199 S * 11/2000 Alviso D34/28
- D492,078 S * 6/2004 Syzdek D34/28

* cited by examiner

Primary Examiner—Cynthia E. Ramirez
(74) *Attorney, Agent, or Firm*—Cislo & Thomas

(57) **CLAIM**

I claim the ornamental design for a retractable towrope, as shown and described herein.

DESCRIPTION

FIG. 1. is a left side elevational view of my retractable towrope;
 FIG. 2. is a right side elevational view thereof;
 FIG. 3 is a front view thereof;
 FIG. 4 is a rear view thereof;
 FIG. 5 is a top view thereof;
 FIG. 6 is a bottom view thereof; and,
 FIG. 7. is a top perspective view thereof.
 The cable is shown broken away in FIGS. 1 and 4 to show indeterminate length.
 The broken line showing of a tube is for illustrative purposes only and forms no part of the claimed design.

(56) **References Cited**

U.S. PATENT DOCUMENTS

- 1,971,498 A * 8/1934 Norling 242/379
- 3,380,712 A * 4/1968 Miyoshi 254/372
- 4,828,225 A * 5/1989 Owen et al. 254/382
- 4,844,359 A * 7/1989 Kato 242/402
- D318,941 S * 8/1991 Avery D34/33
- D343,824 S * 2/1994 Halwes D12/345
- 5,511,447 A * 4/1996 Galloway et al. 74/577 S
- D393,515 S * 4/1998 Pettersson D34/33
- D397,028 S * 8/1998 Dancyger D8/360

1 Claim, 7 Drawing Sheets

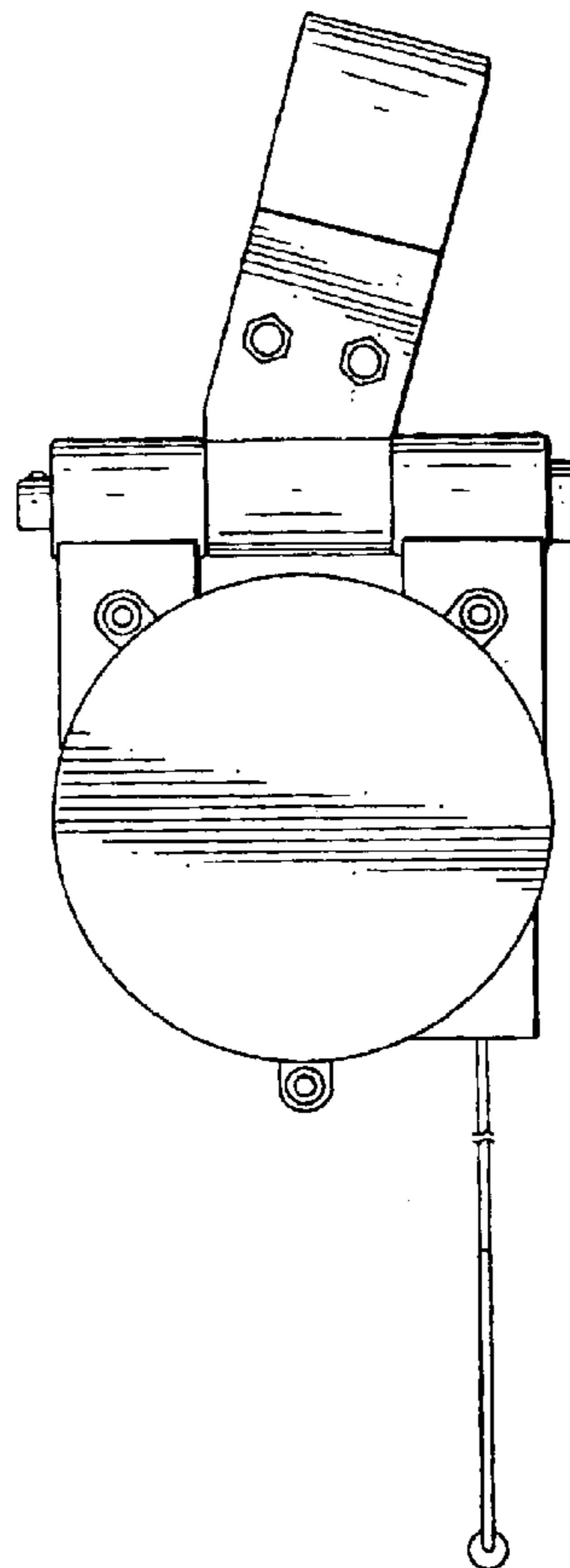


FIG. 1

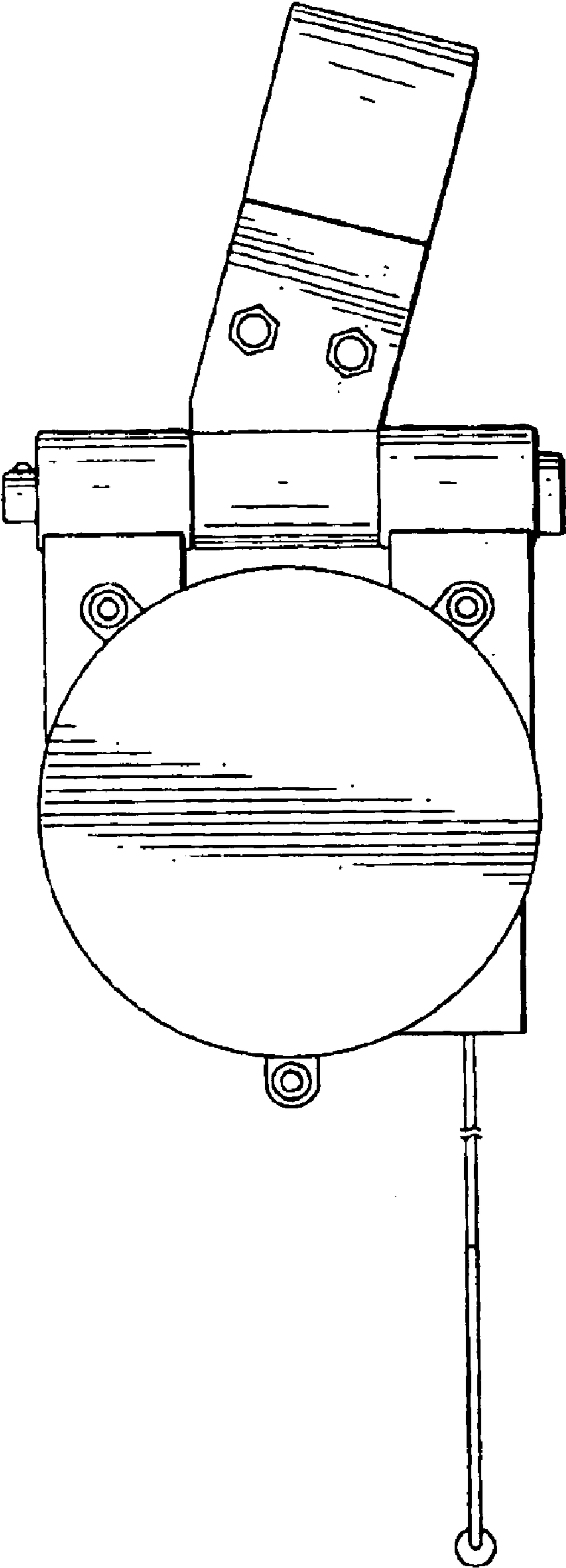


FIG. 2

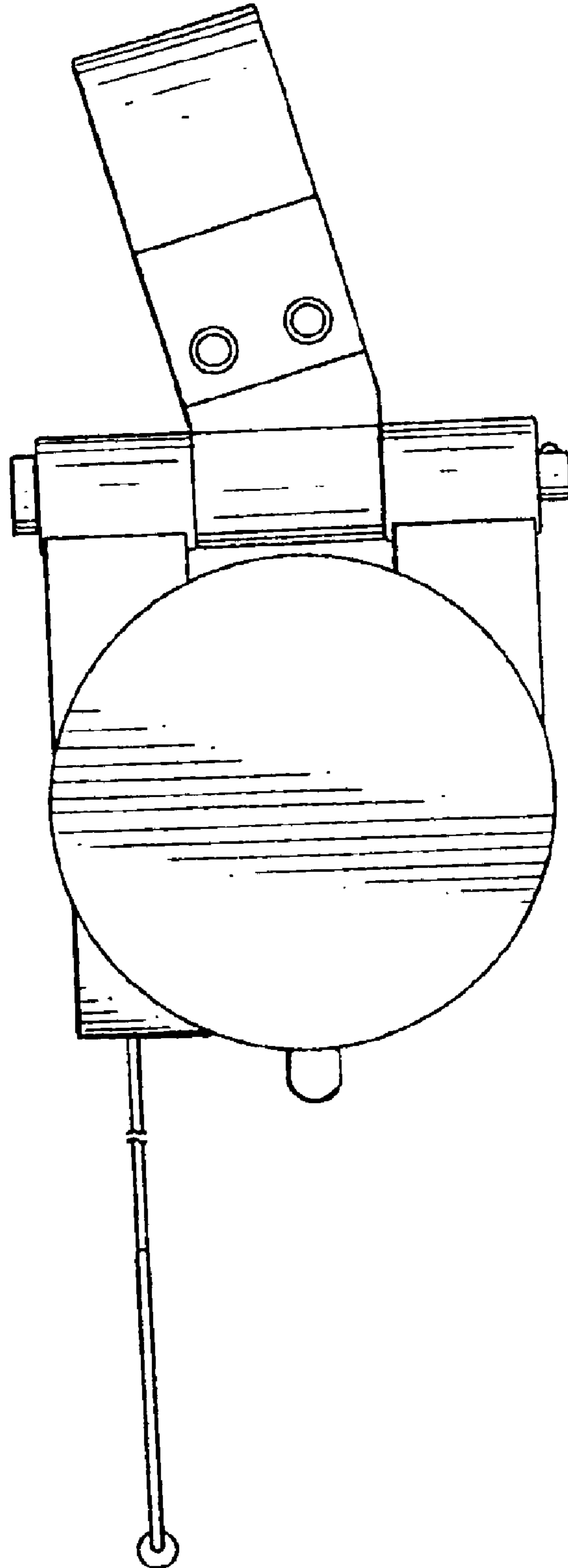


FIG. 3

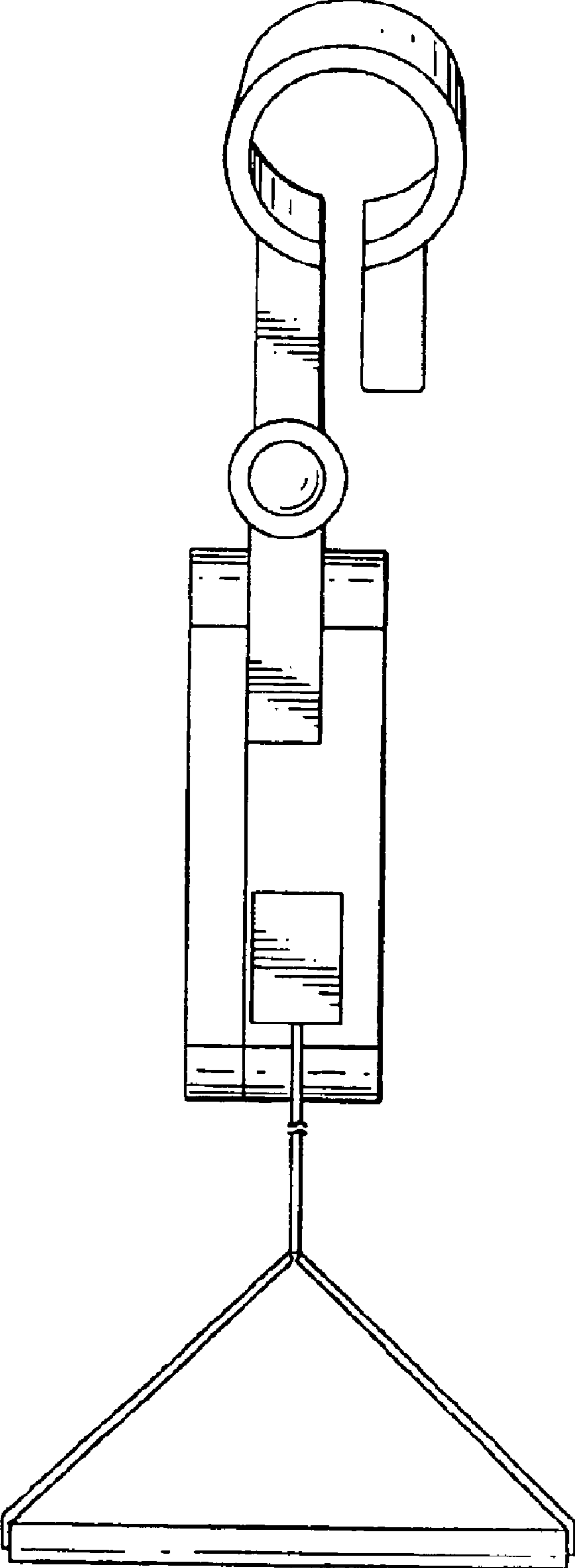


FIG. 4

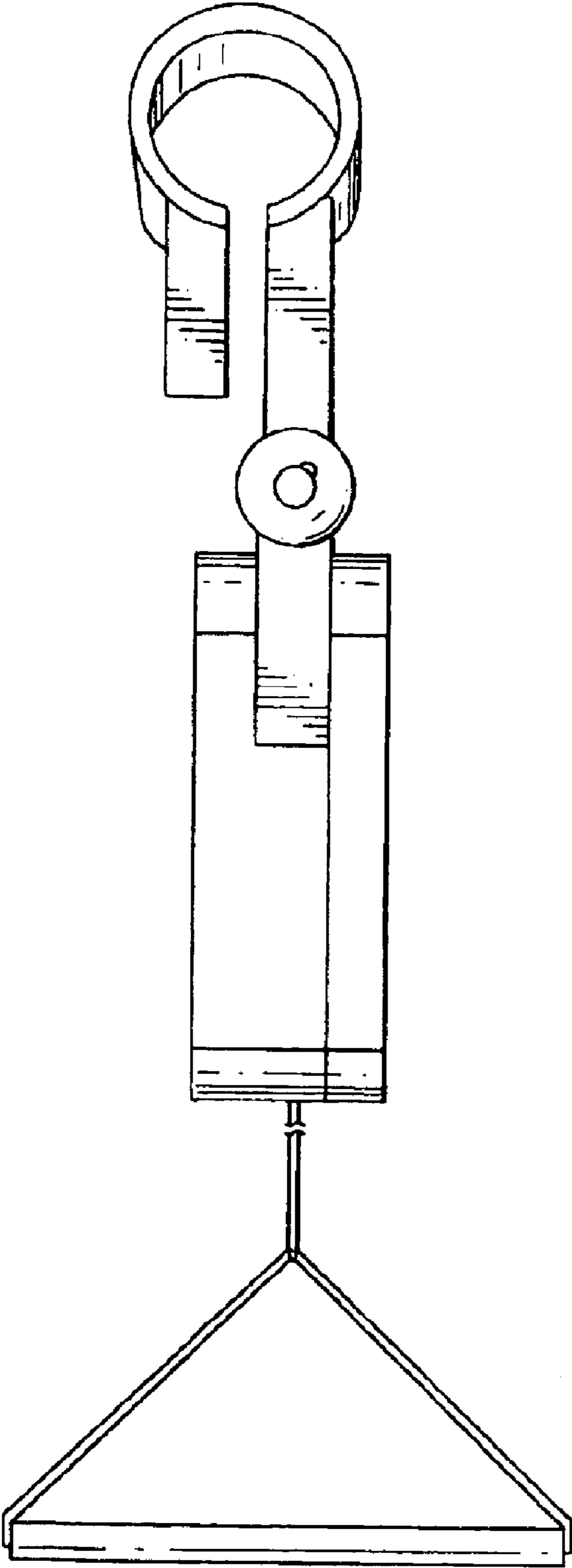


FIG. 5

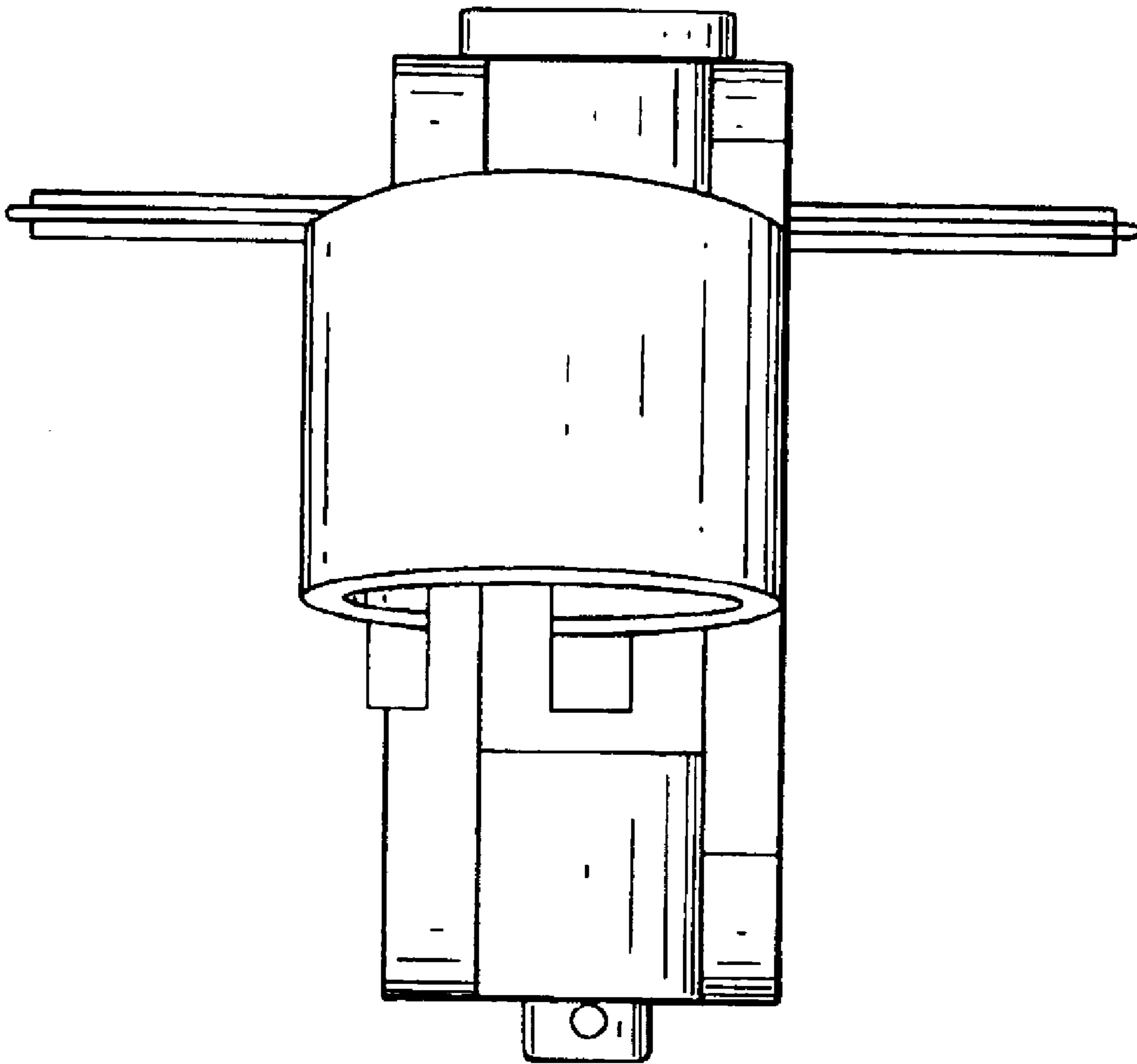


FIG. 6

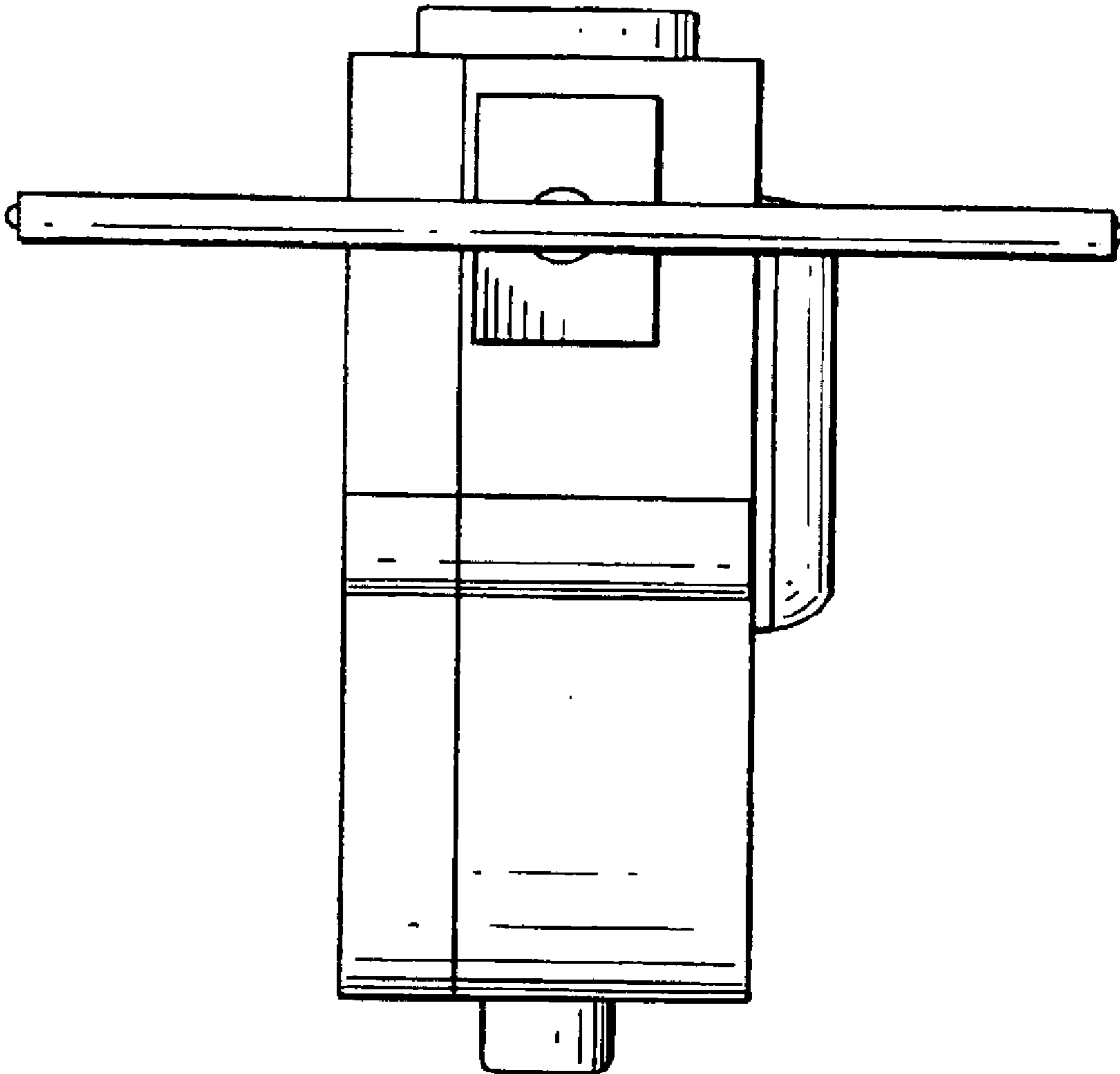


FIG. 7

