



US00D517265S

(12) **United States Design Patent**
Berres, Jr. et al.

(10) **Patent No.: US D517,265 S**
(45) **Date of Patent: ** Mar. 14, 2006**

(54) **REFUSE CONTAINER**
(75) Inventors: **Robert J. Berres, Jr.**, Gig Harbor, WA
(US); **John d'Arc Lorenz**, Seattle, WA
(US)

(73) Assignee: **American Container and Recycling,**
Incorporated, Vancouver, WA (US)

(**) Term: **14 Years**

(21) Appl. No.: **29/205,513**

(22) Filed: **May 14, 2004**

(51) **LOC (8) Cl. 09-09**

(52) **U.S. Cl. D34/3**

(58) **Field of Classification Search** D34/1,
D34/3, 19, 7, 10, 11; 220/254.5, 908; 414/422;
296/68.1, 68.2, 68.26

See application file for complete search history.

(56) **References Cited**

U.S. PATENT DOCUMENTS

2,228,201 A	1/1941	Cotes et al.	230/117
2,282,201 A	5/1942	Neuman	214/113
2,817,792 A	12/1957	Chew	317/2
3,270,902 A *	9/1966	Breault	414/406
3,692,335 A	9/1972	Vickers et al.	285/49
3,850,111 A	11/1974	Hansen	104/245
3,944,092 A	3/1976	Ebeling et al.	214/302
4,090,626 A	5/1978	Ebeling et al.	214/302
4,141,459 A	2/1979	Eli, Jr.	220/85 K
4,331,214 A	5/1982	Darby	181/296
4,335,828 A *	6/1982	Robinson et al.	220/826
4,342,402 A *	8/1982	Jungles	220/848
4,456,141 A *	6/1984	Pamment	220/254.5
4,550,849 A	11/1985	Adsit	220/71
4,705,446 A *	11/1987	Miller	414/422
4,708,576 A	11/1987	Conley	414/607
4,726,616 A *	2/1988	Schmidt	294/68.2
4,771,940 A *	9/1988	Taylor	220/832

D300,069 S *	2/1989	Abel	D34/3
4,886,411 A	12/1989	Pieperhoff et al.	414/408
4,915,570 A *	4/1990	Rath et al.	414/409
5,183,180 A *	2/1993	Hawkins et al.	294/68.1
5,221,176 A	6/1993	Allen et al.	414/785
5,230,600 A	7/1993	Marino	414/607
5,330,071 A	7/1994	Parker	220/645
5,490,606 A *	2/1996	Lombardo	220/324
5,575,608 A	11/1996	Yau et al.	414/607
5,967,361 A *	10/1999	Darnell	220/623
5,975,345 A *	11/1999	Taylor	220/826
6,332,745 B1	12/2001	Duell et al.	414/406
D459,849 S *	7/2002	Hogarth	D34/7
6,702,135 B1 *	3/2004	Pickler	220/1.5

FOREIGN PATENT DOCUMENTS

DE	37 10-136 A1	10/1988
DE	44 30 728 A1	3/1996
DE	196 34 709 A1	3/1998
JP	8 - 151198	6/1996
WO	WO 00/15538	3/2000

* cited by examiner

Primary Examiner—Cynthia E. Ramirez

(74) *Attorney, Agent, or Firm*—Seed IP Law Group PLLC

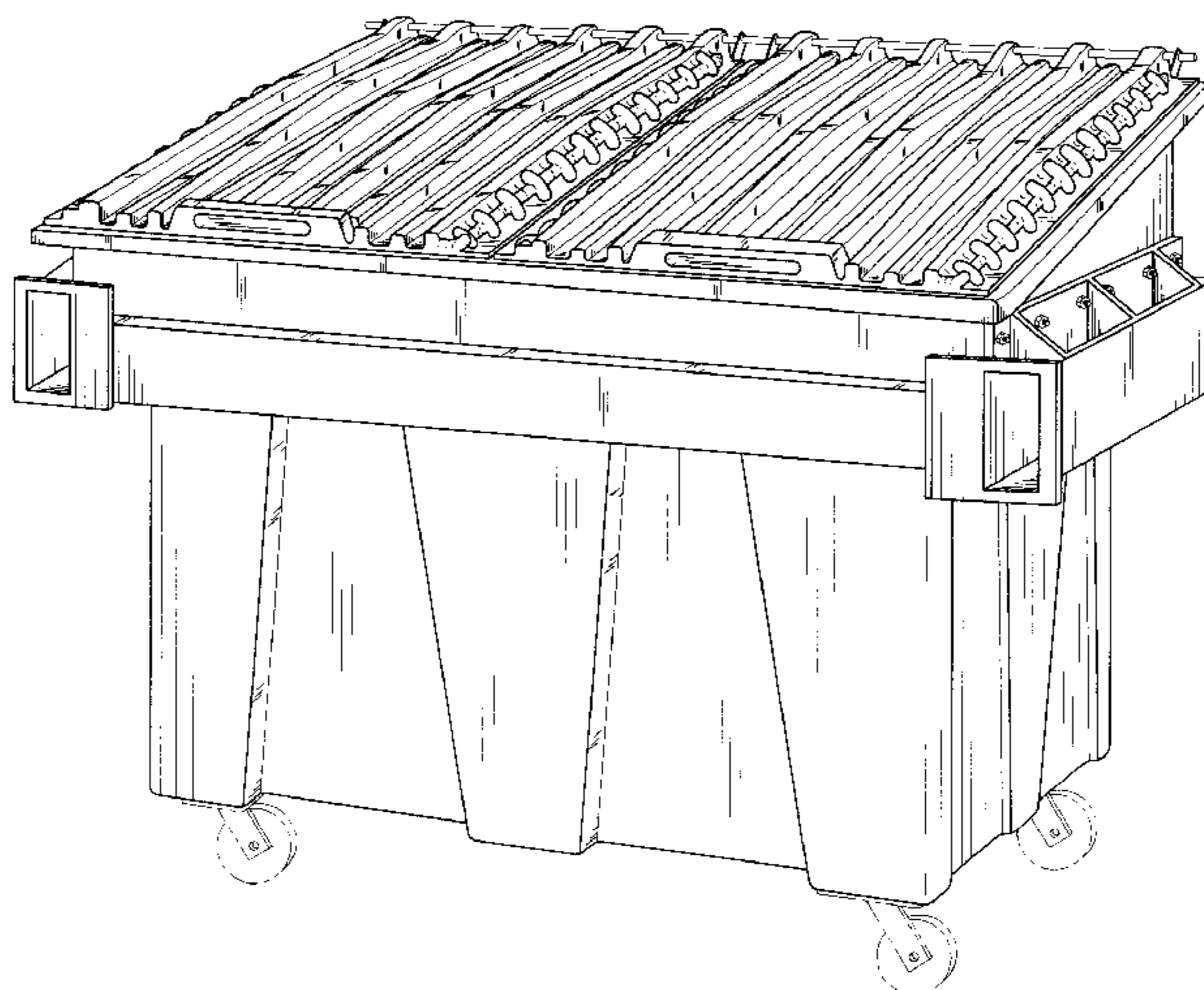
(57) **CLAIM**

The ornamental design for a refuse container, as shown and described.

DESCRIPTION

FIG. 1 is a front-top-right perspective view of a refuse container showing our new design; FIG. 2 is a front elevational view thereof; FIG. 3 is a right side elevational view thereof; FIG. 4 is a top plan view thereof; FIG. 5 is a bottom plan view thereof; and, FIG. 6 is a rear elevational view thereof. The broken lines in the figures are for illustrative purposes only and form no part of the claimed design.

1 Claim, 5 Drawing Sheets



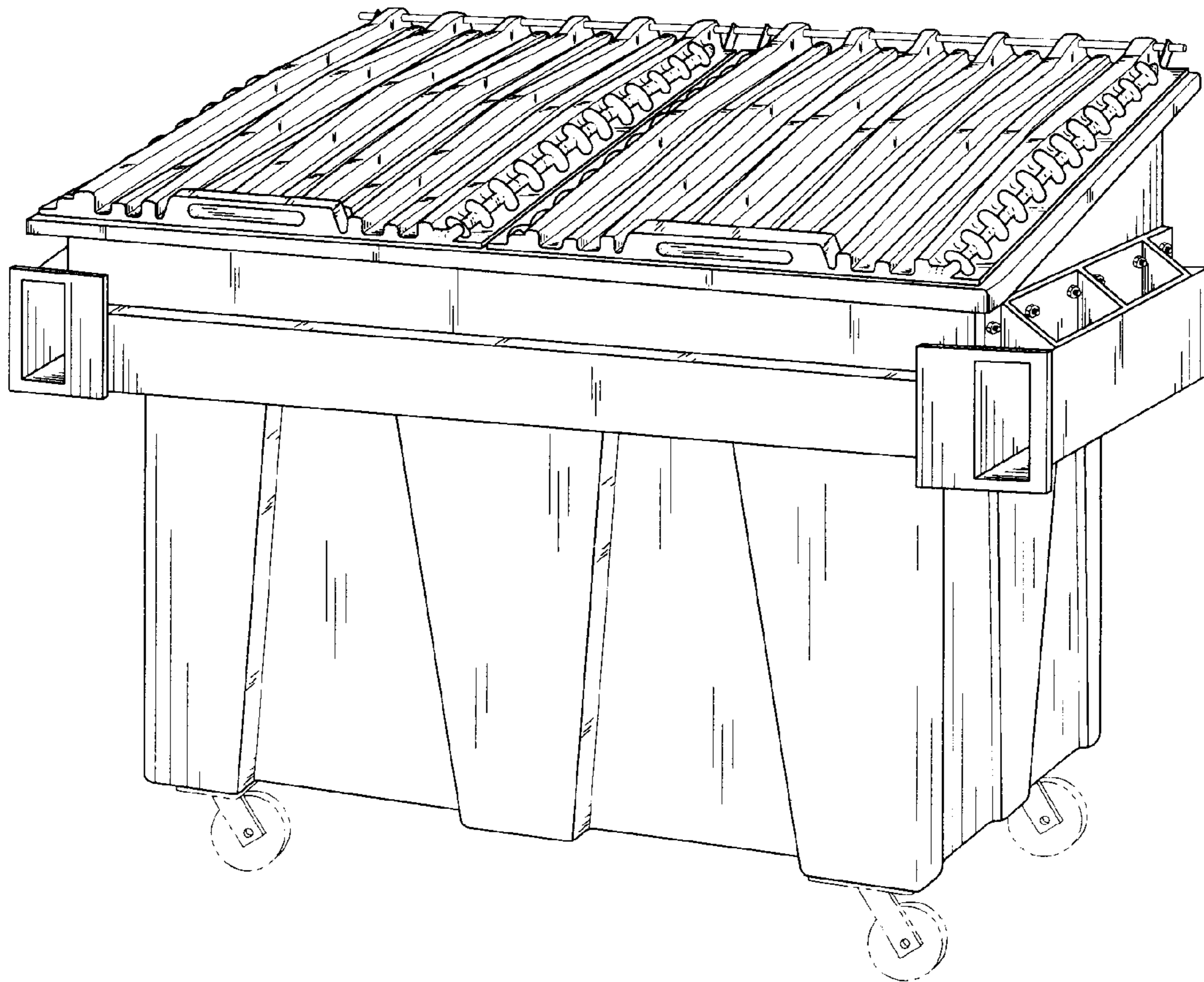


FIG. 1

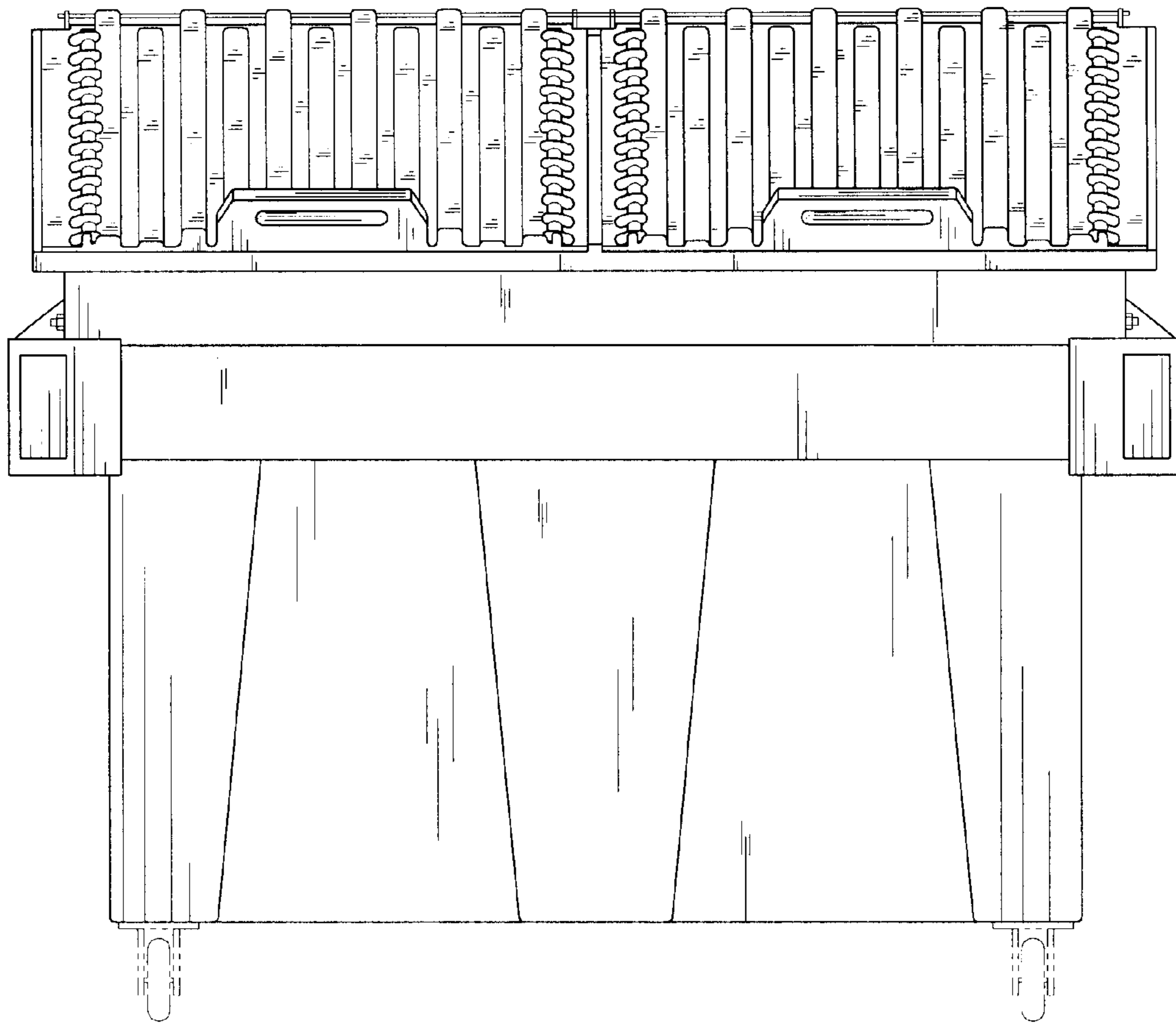


FIG. 2

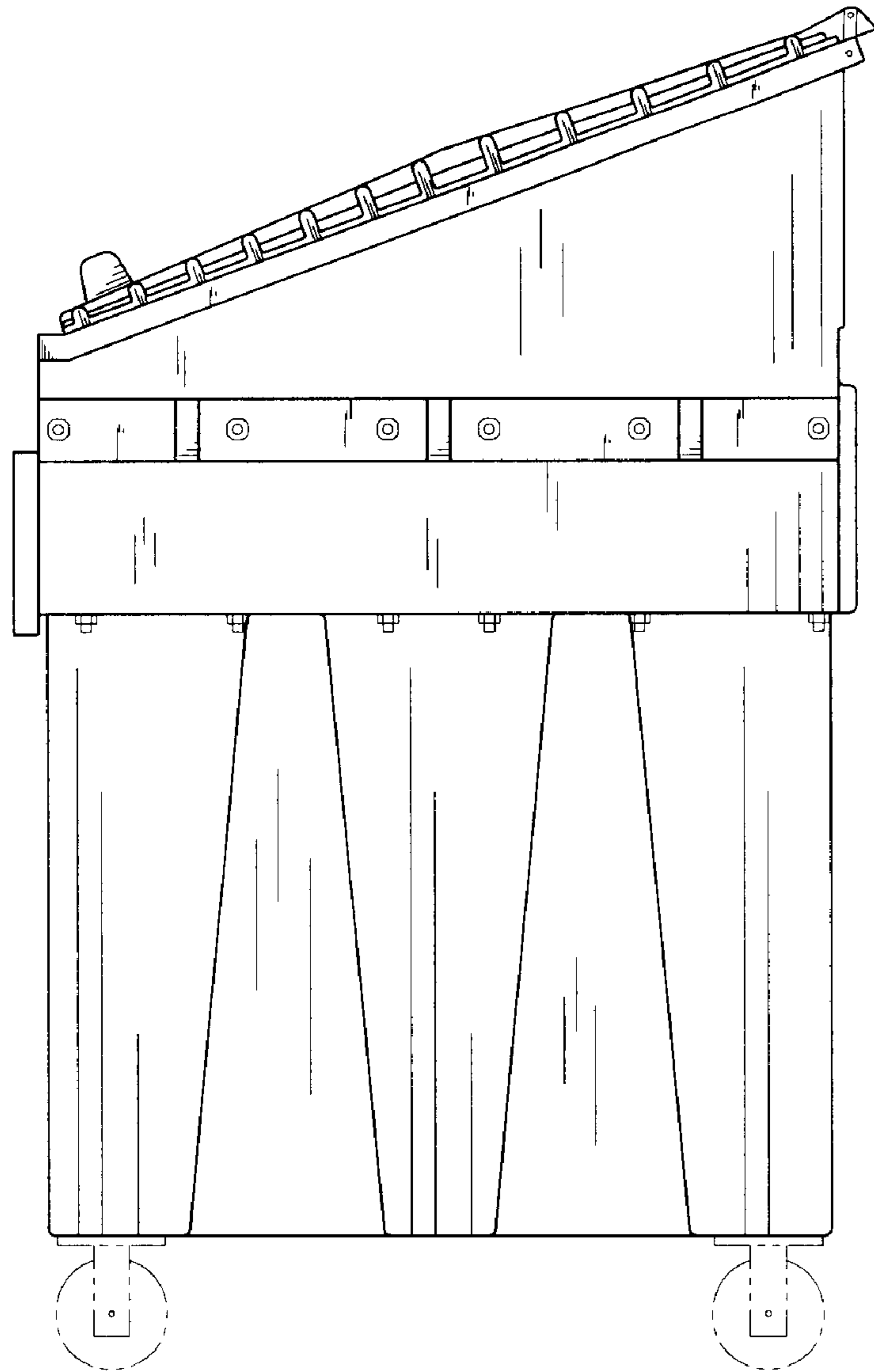


FIG. 3

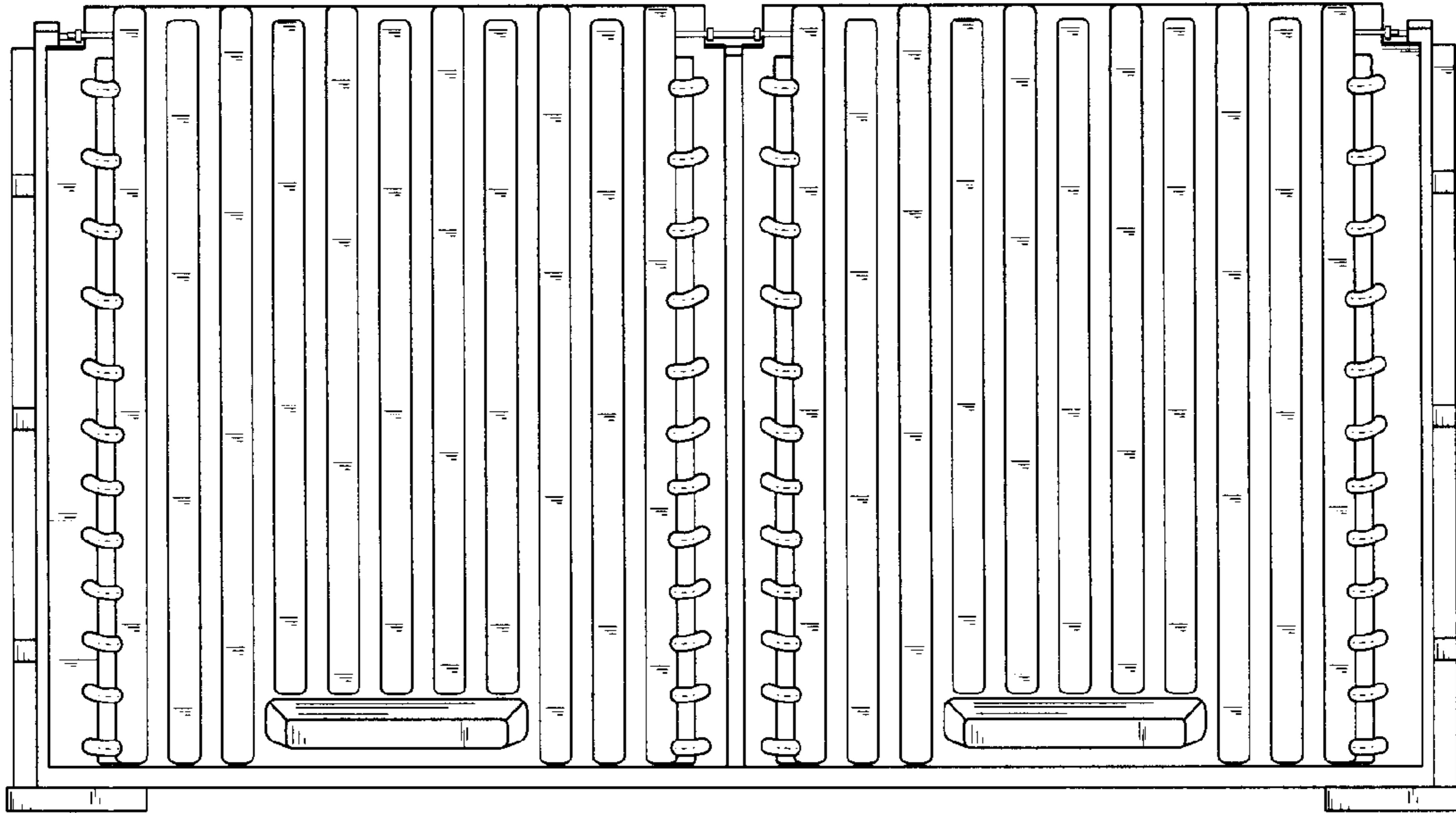


FIG. 4

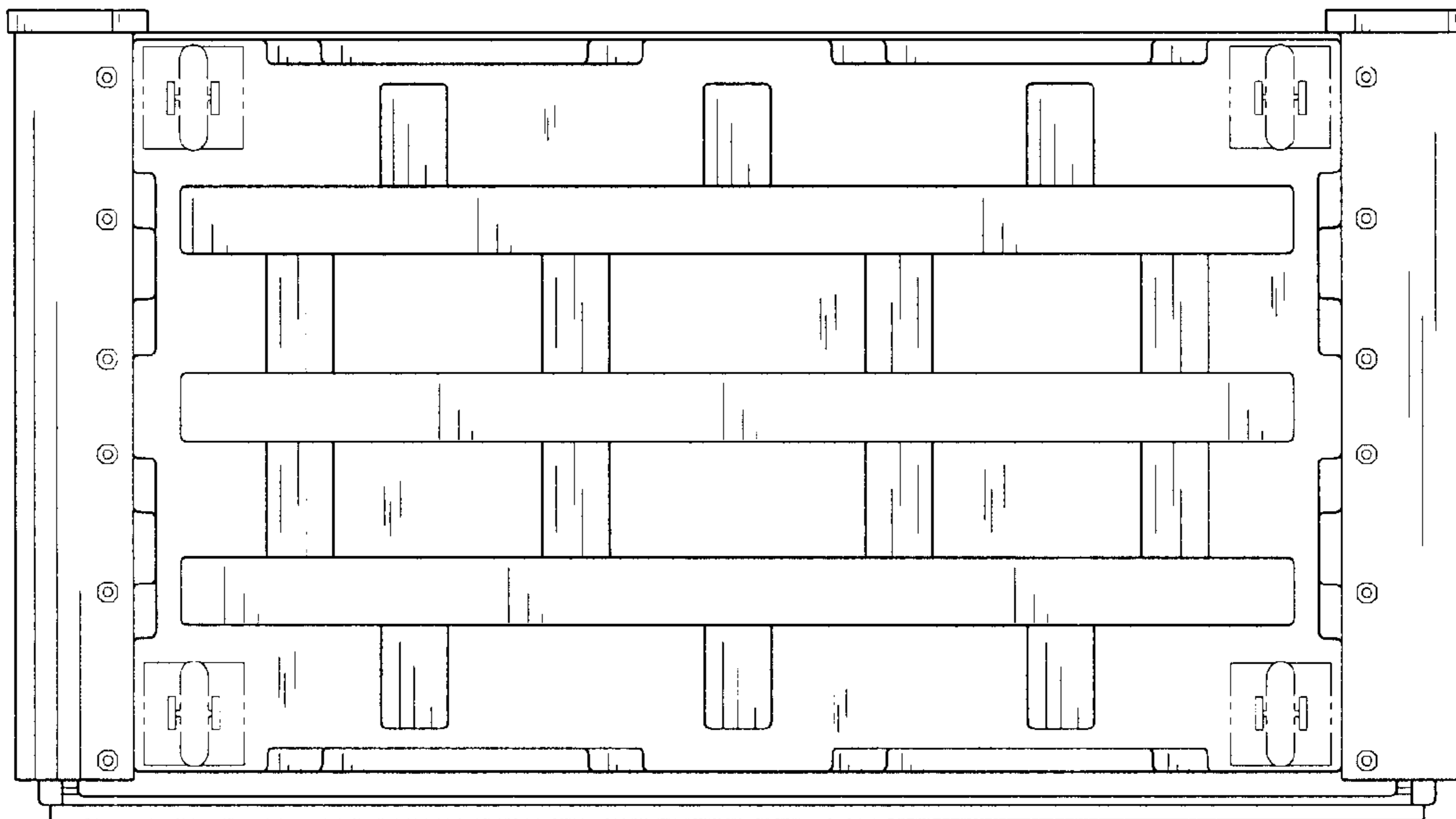


FIG. 5

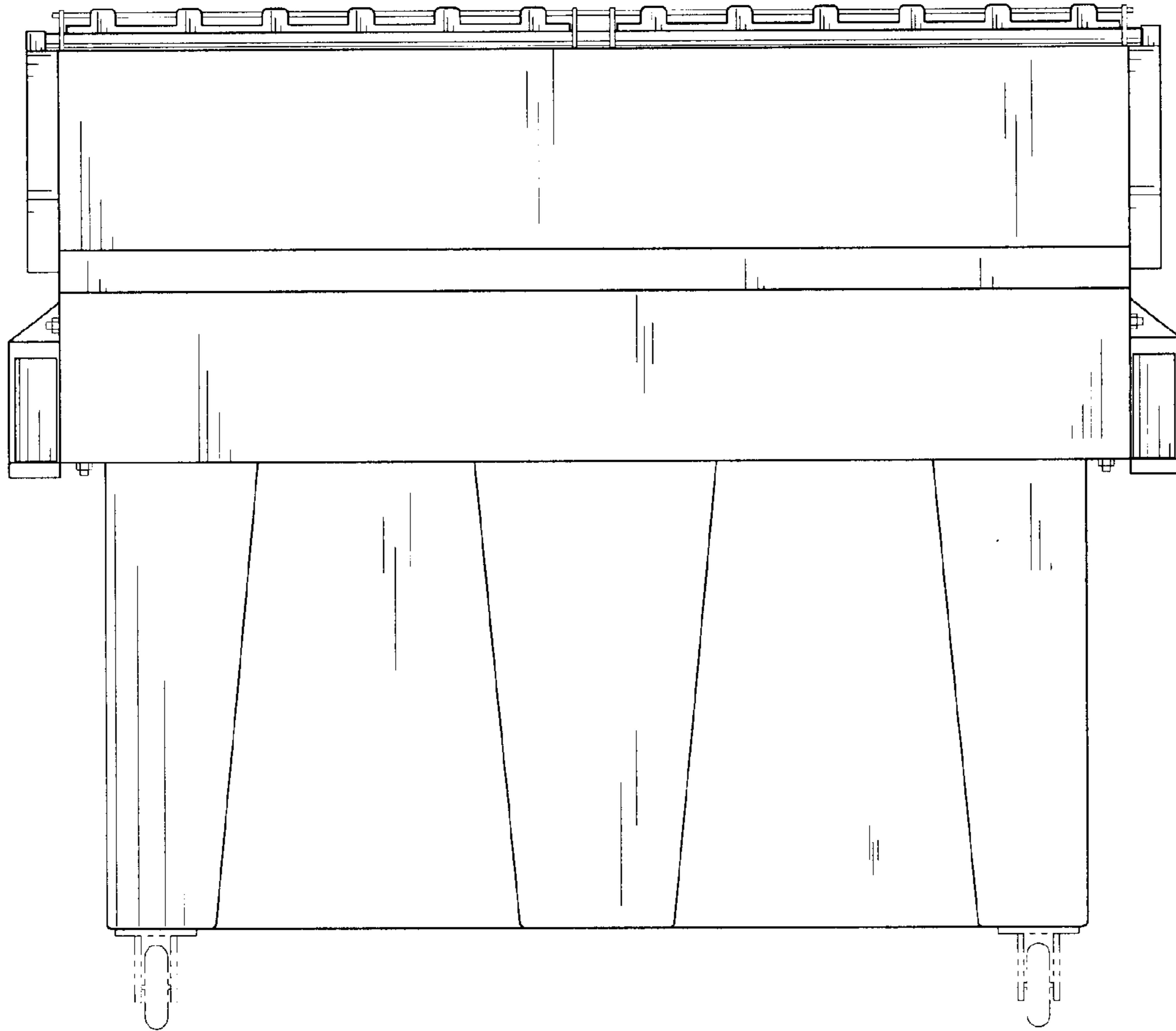


FIG. 6