



US00D517263S

(12) **United States Design Patent**
Ha et al.

(10) **Patent No.:** **US D517,263 S**
(45) **Date of Patent:** **** Mar. 14, 2006**

(54) **WASHING MACHINE**

(75) Inventors: **Young Hoon Ha**, Pusan (KR); **Ji Chang Son**, Kyungsangnam-do (KR); **Bo Yeon Kim**, Kyungnam-shi (KR)

(73) Assignee: **LG Electronics Inc.**, Seoul (KR)

(**) Term: **14 Years**

(21) Appl. No.: **29/232,806**

(22) Filed: **Jun. 24, 2005**

(51) **LOC (8) Cl.** **15-05**

(52) **U.S. Cl.** **D32/25**

(58) **Field of Classification Search** D32/5,
D32/6, 8, 10, 28, 1, 12, 25, 29; 34/58, 108,
34/596, 139, 602, 523; 68/3 R, 12.26, 12.12,
68/24, 4, 12.01, 12.08, 147, 12.09, 212; 312/228,
312/31

See application file for complete search history.

(56) **References Cited**

U.S. PATENT DOCUMENTS

D236,152 S * 7/1975 Yamamoto D32/8
D456,572 S * 4/2002 Resuello et al. D32/6
D457,991 S * 5/2002 Baldwin et al. D32/6

D477,898 S * 7/2003 Geyer D32/6
D490,946 S * 6/2004 Suh et al. D32/6
D491,324 S * 6/2004 Kim et al. D32/6
D496,709 S * 9/2004 Suh et al. D32/6
D501,966 S * 2/2005 Hwang D32/25

* cited by examiner

Primary Examiner—Louis S. Zarfes

Assistant Examiner—Kathleen Sims

(74) *Attorney, Agent, or Firm*—Birch, Stewart, Kolasch & Birch, LLP

(57) **CLAIM**

We claim the ornamental design for washing machine, as shown and described.

DESCRIPTION

FIG. 1 is a perspective view of washing machine showing the new design:

FIG. 2 is a front view thereof;

FIG. 3 is a rear view thereof;

FIG. 4 is a left-side view thereof;

FIG. 5 is a right-side view thereof;

FIG. 6 is a top plan view thereof; and,

FIG. 7 is a bottom plan view thereof.

1 Claim, 7 Drawing Sheets

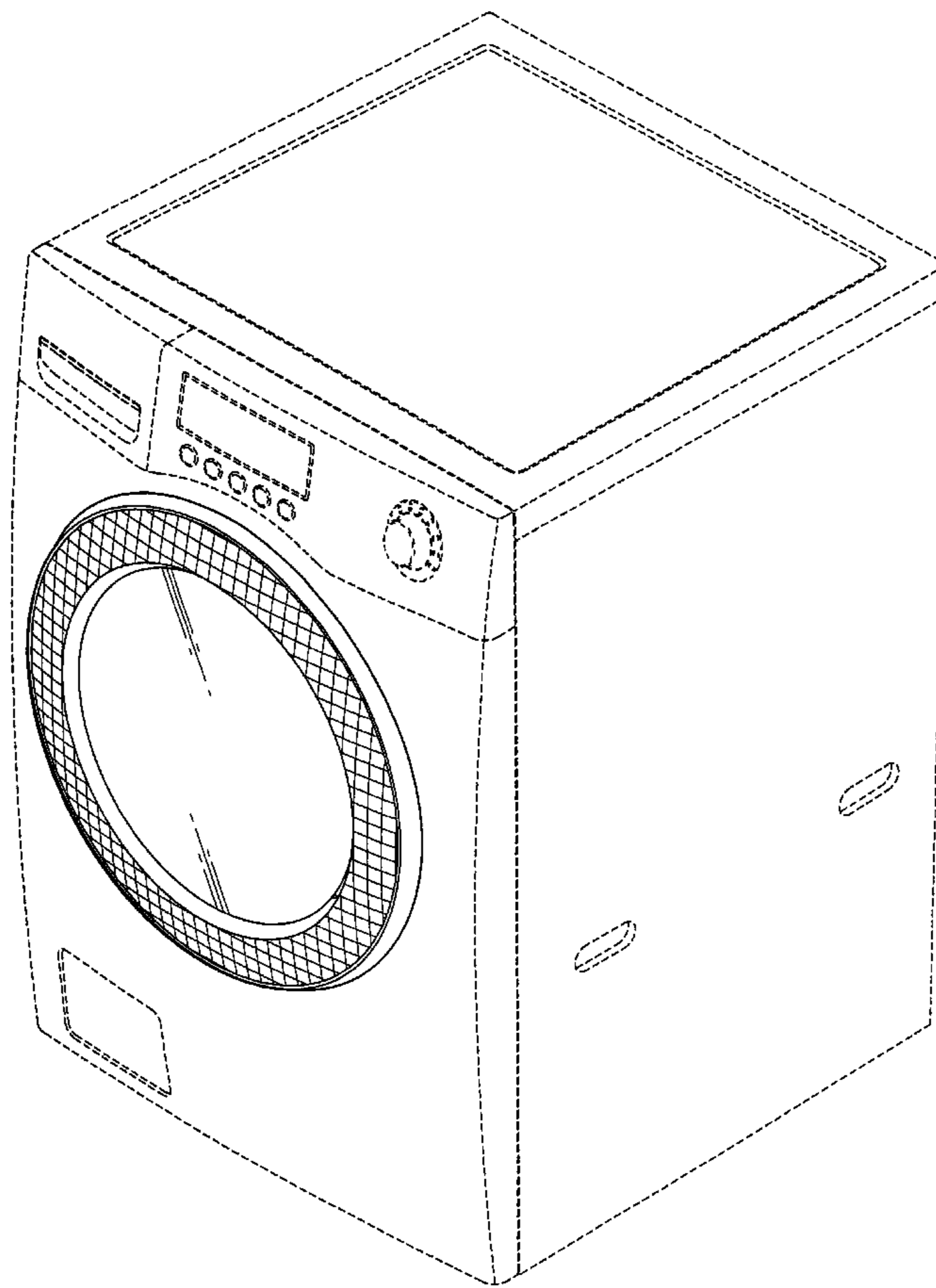


FIG. 1

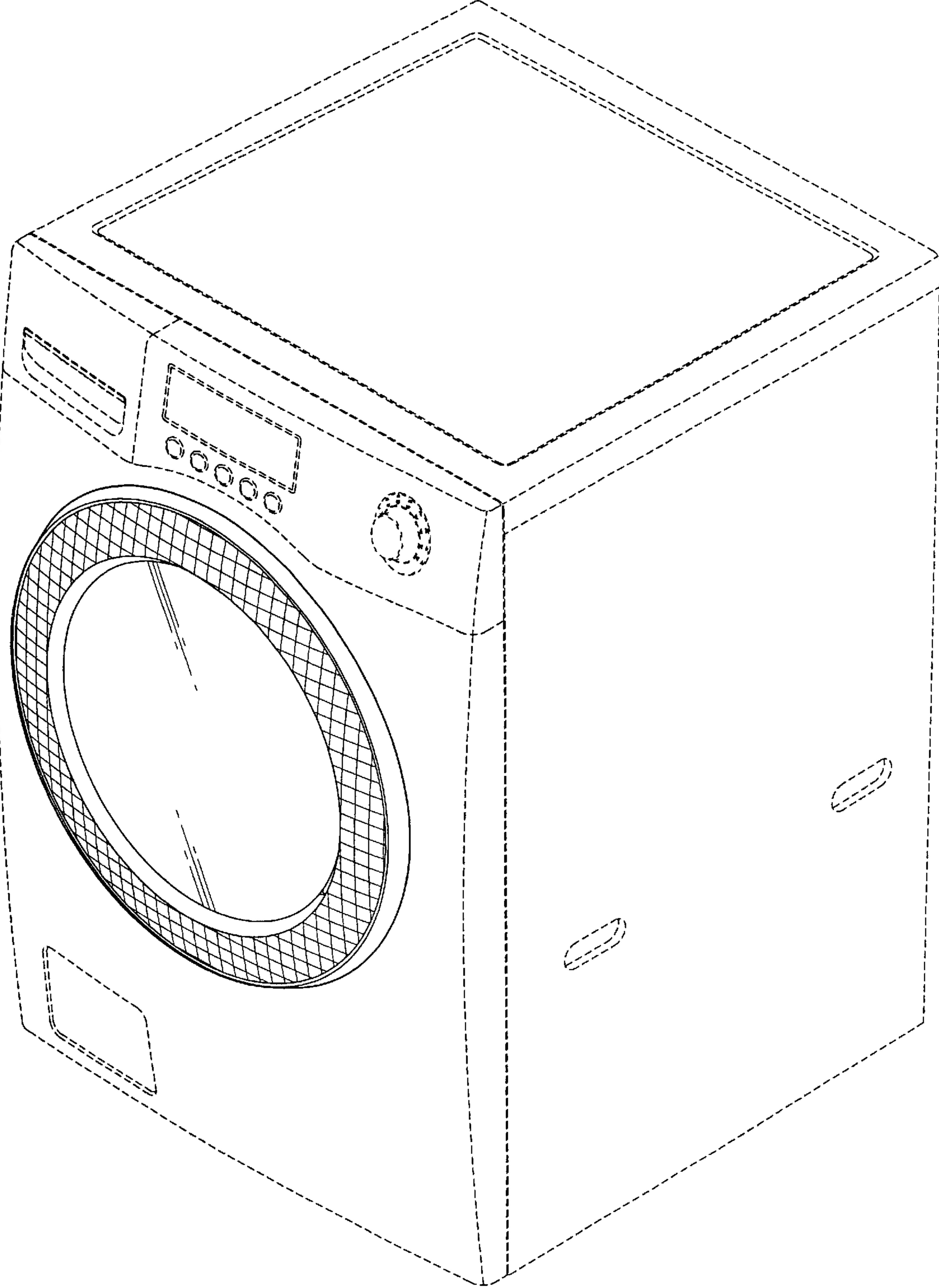


FIG. 2

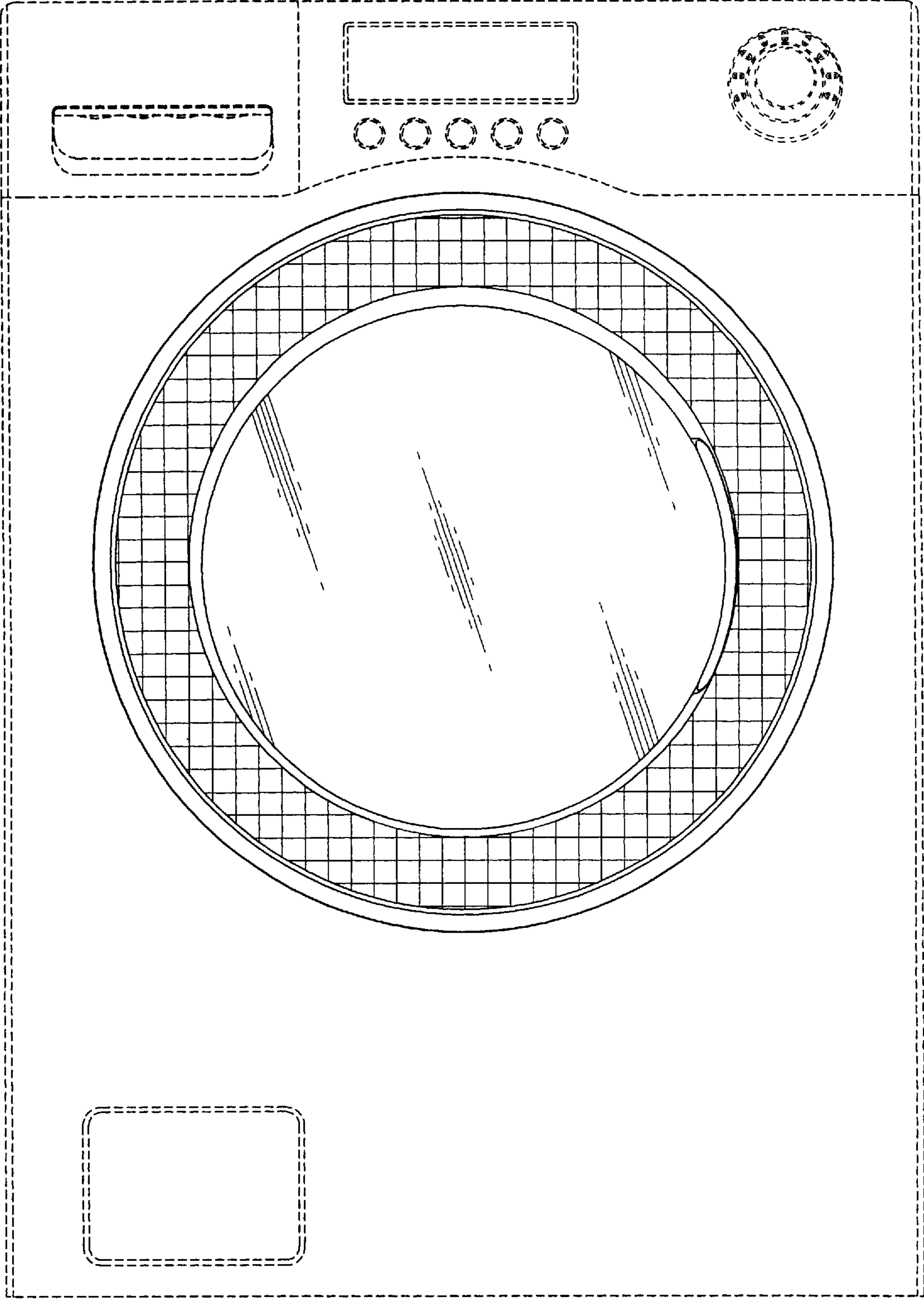


FIG. 3



FIG. 4

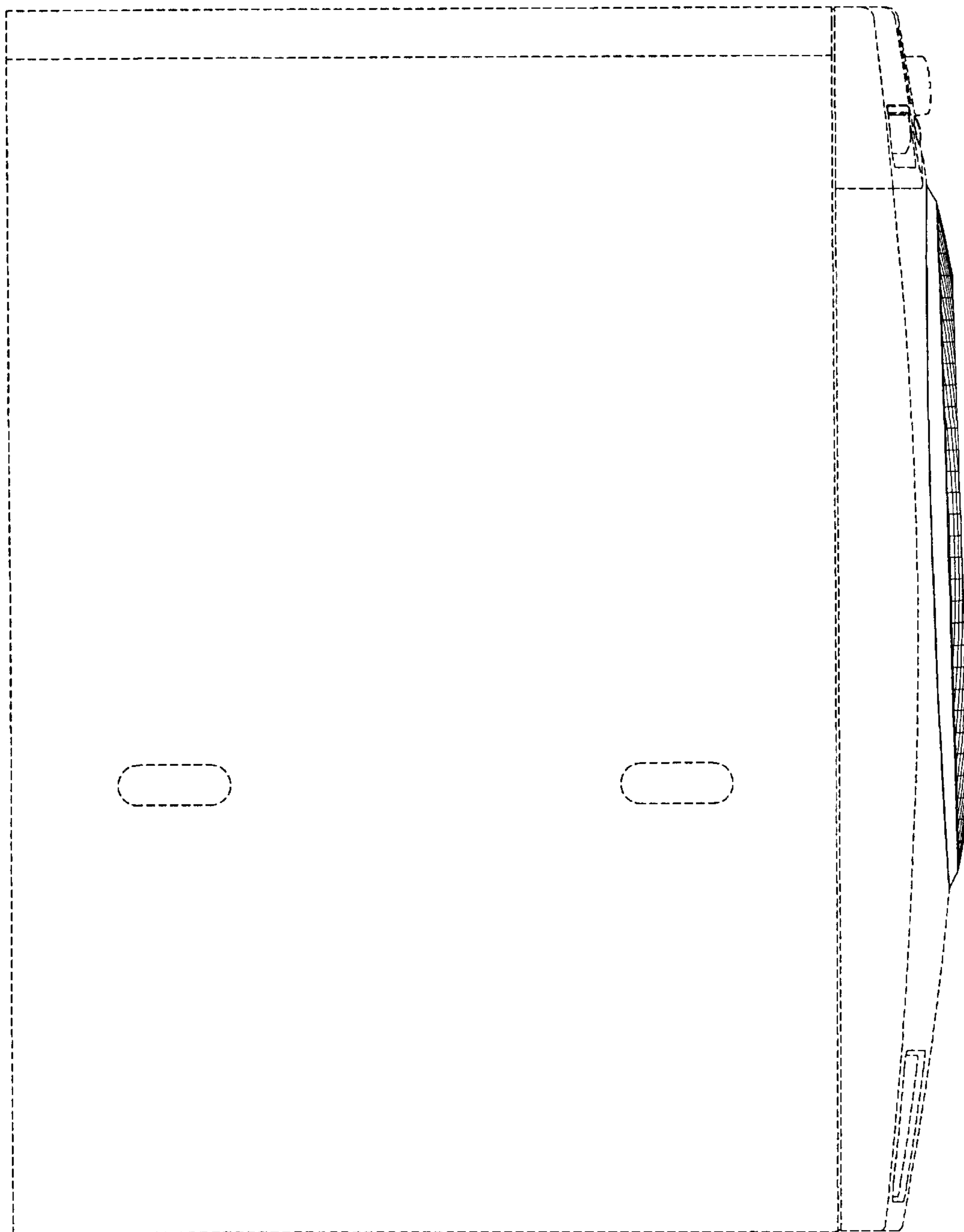


FIG. 5

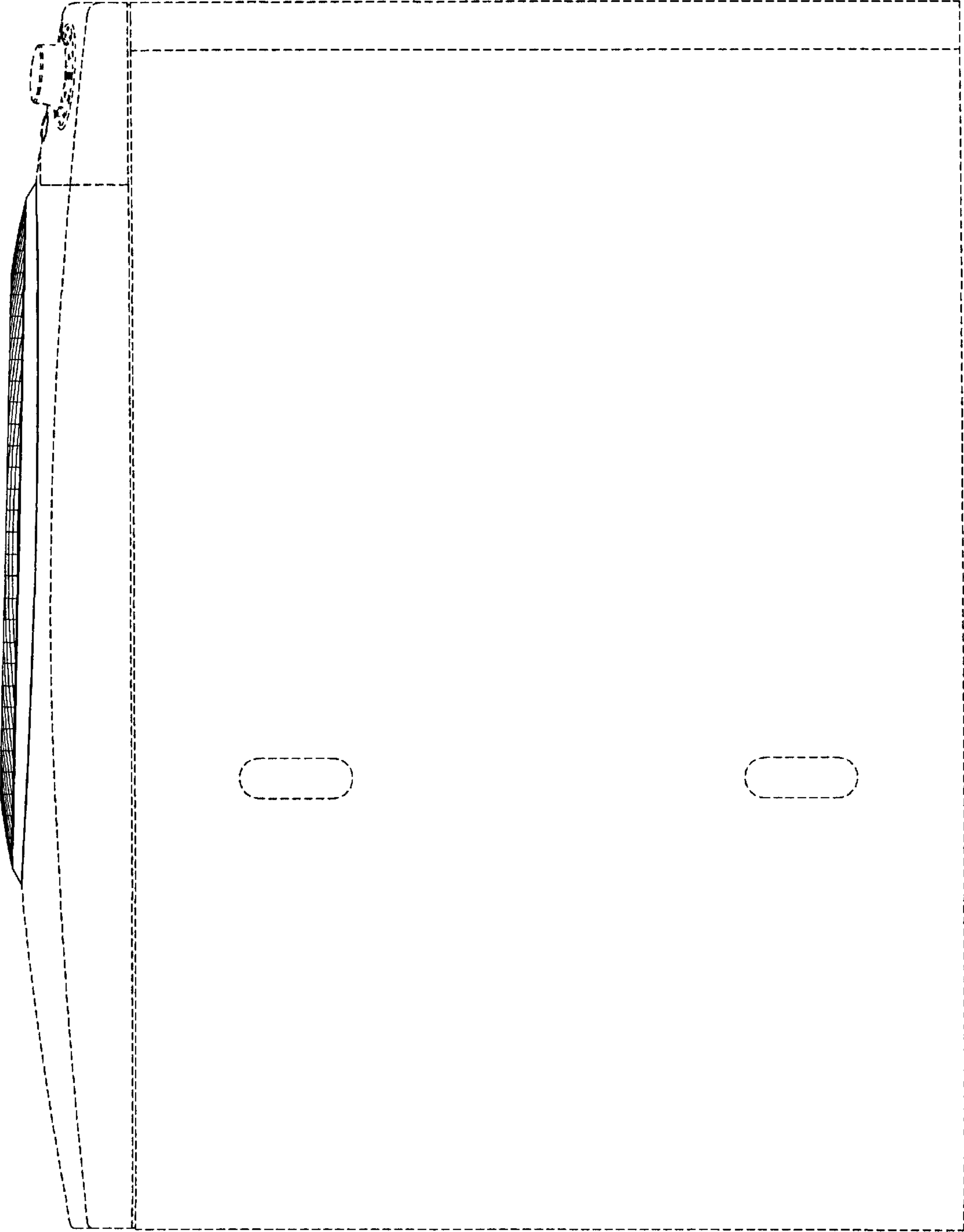


FIG. 6

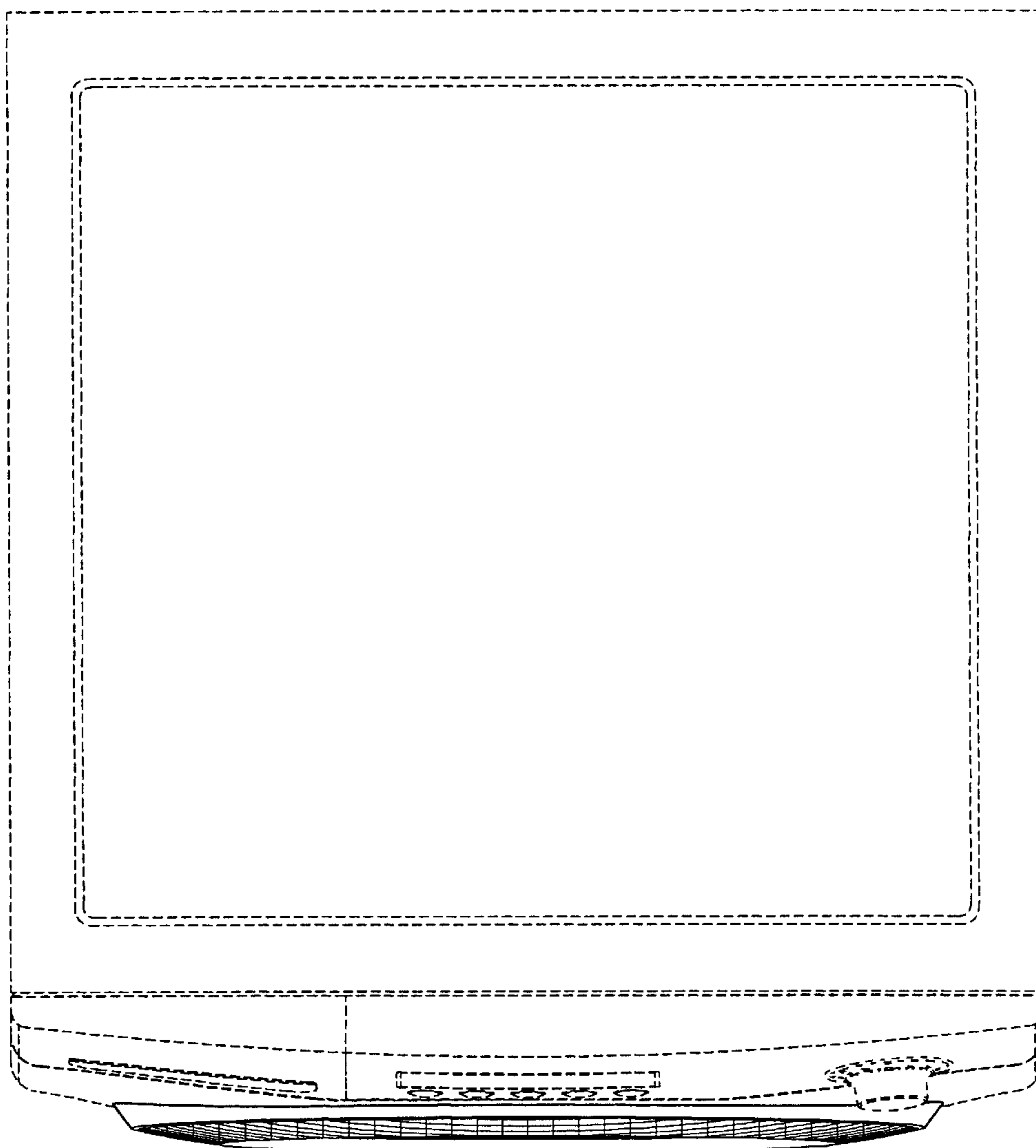


FIG. 7

