



US00D517253S

(12) **United States Design Patent**
Raches et al.

(10) **Patent No.: US D517,253 S**
(45) **Date of Patent: ** Mar. 14, 2006**

(54) **UTENSIL HOLDER FOR A DISHWASHER**

D473,985 S * 4/2003 Moreira Da Silva D32/32
D487,825 S * 3/2004 Kim et al. D32/3
D488,891 S * 4/2004 Smith et al. D32/3
D502,295 S * 2/2005 Feddema D32/3

(75) Inventors: **Scott D. Raches**, Jackson, TN (US);
Wayne M. VanLandingham,
Texarkana, TX (US); **Karl R. C.**
Wendt, Des Moines, IA (US)

FOREIGN PATENT DOCUMENTS

(73) Assignee: **Maytag Corporation**, Newton, IA (US)

EP 0 697 187 A1 2/1996

(**) Term: **14 Years**

* cited by examiner

(21) Appl. No.: **29/227,951**

Primary Examiner—Louis S. Zarfaz

Assistant Examiner—Kathleen Sims

(22) Filed: **Apr. 26, 2005**

(74) *Attorney, Agent, or Firm*—Diedericks & Whitelaw,
PLC

(51) **LOC (8) Cl.** **15-05**

(57) **CLAIM**

(52) **U.S. Cl.** **D32/3**

The ornamental design for a utensil holder for a dishwasher,
as shown and described.

(58) **Field of Classification Search** D32/3,
D32/25, 32; 68/212; D3/305, 306, 311, 313;
220/812, 835, 331, 487, 676

DESCRIPTION

See application file for complete search history.

FIG. 1 is an upper right perspective view of the utensil
holder for a dishwasher of the invention;

(56) **References Cited**

U.S. PATENT DOCUMENTS

3,665,943 A 5/1972 Lampman et al.
3,732,876 A 5/1973 Braga et al.
D254,187 S * 2/1980 Freese D32/3
4,192,432 A * 3/1980 Jordan 220/676
4,834,125 A 5/1989 Insalaco
5,069,360 A 12/1991 Dingler et al.
D331,477 S * 12/1992 Michael et al. D32/3
D338,749 S * 8/1993 McConnell D32/3
5,287,984 A * 2/1994 Michael 220/812
5,431,294 A 7/1995 Stottmann et al.
D391,696 S * 3/1998 Bournay et al. D32/3
6,161,718 A 12/2000 Monbo

FIG. 2 is a front elevational view of the utensil holder of
FIG. 1;

FIG. 3 is a top plan view of the utensil holder of the
invention;

FIG. 4 is a bottom plan view of the utensil holder of the
invention;

FIG. 5 is a rear elevational view of the utensil holder of FIG.
1; and,

FIG. 6 is a right side elevational view of the utensil holder
of the invention, with the left side being a mirror image
thereof.

1 Claim, 5 Drawing Sheets

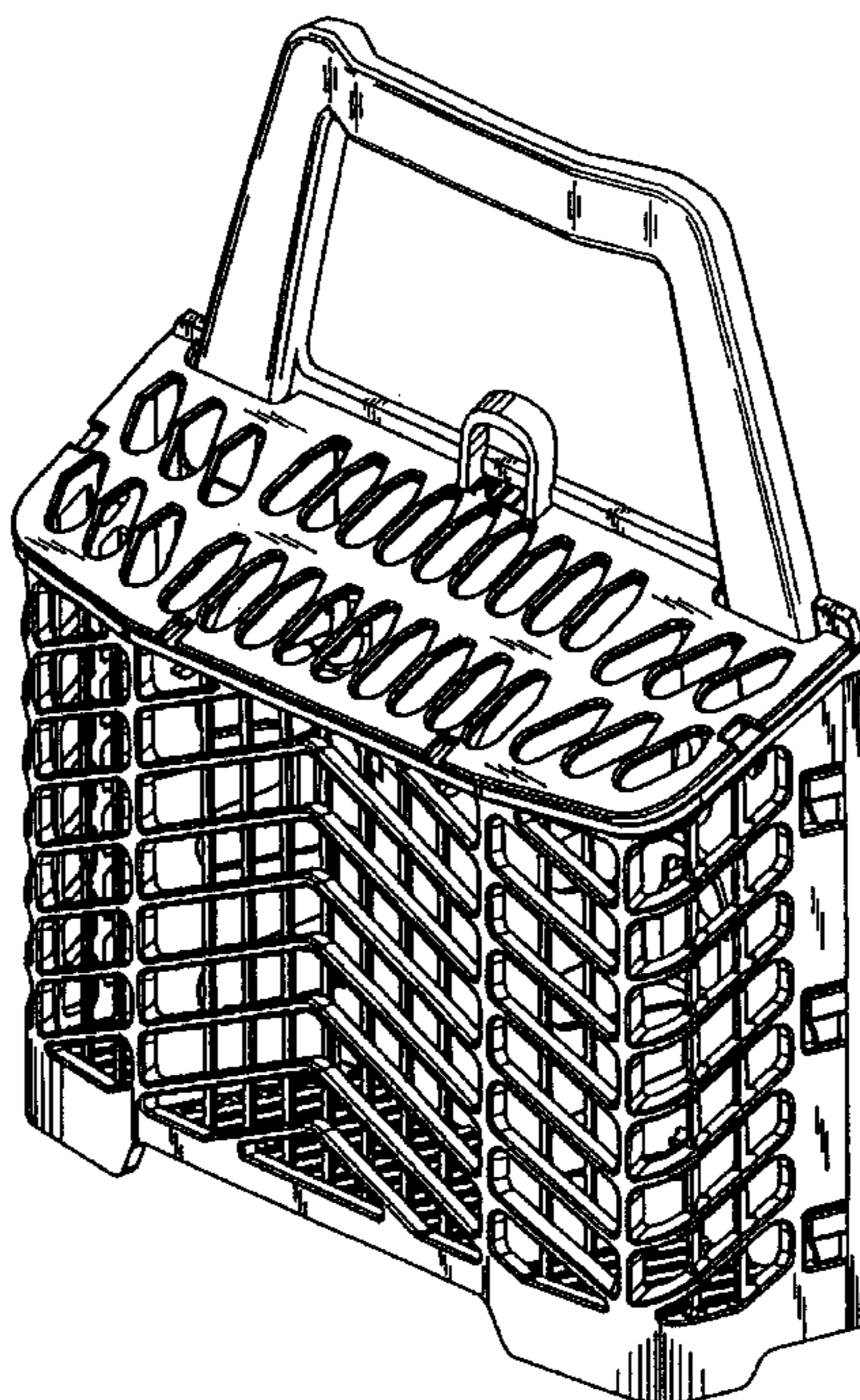


FIG. 1

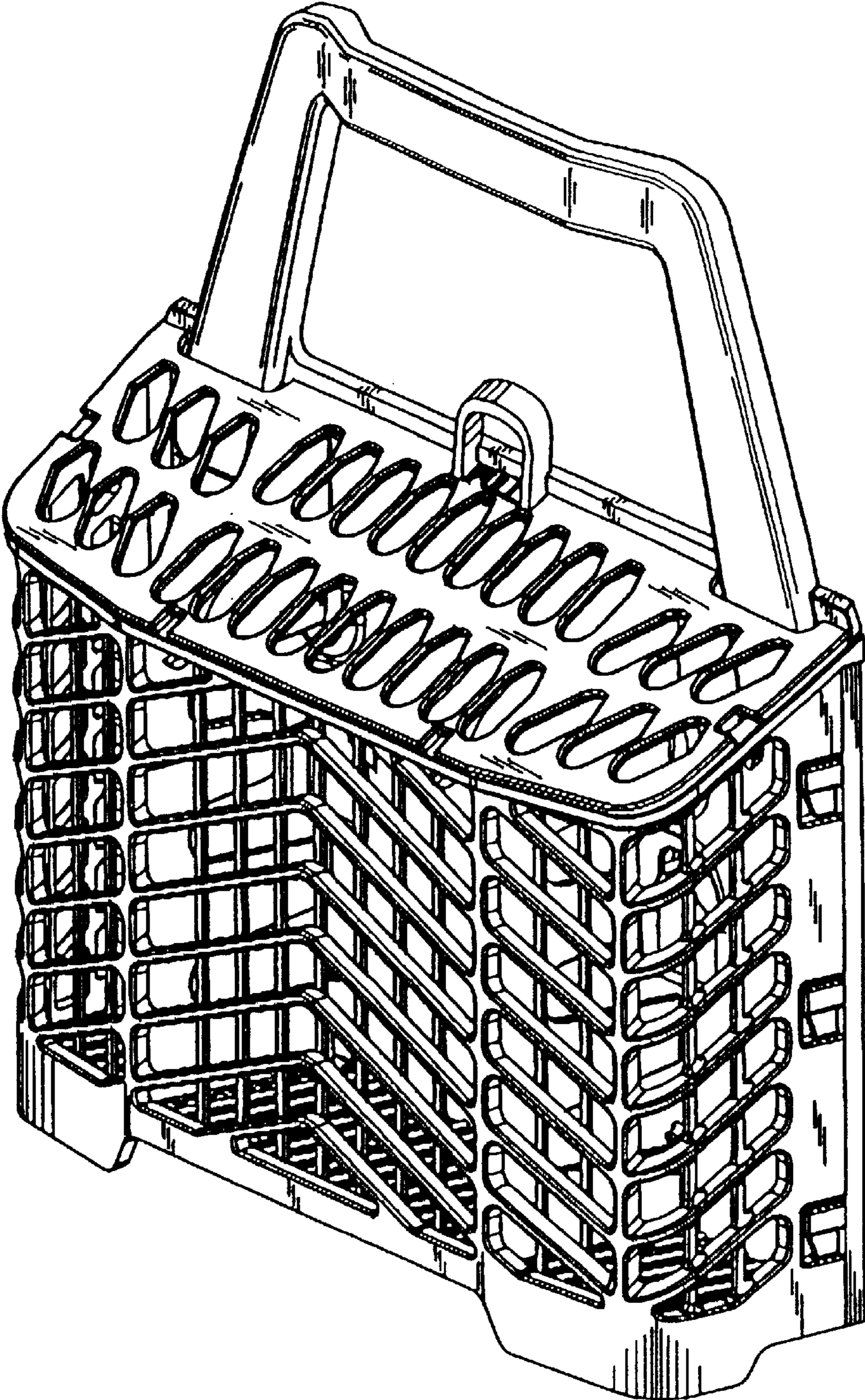


FIG. 2

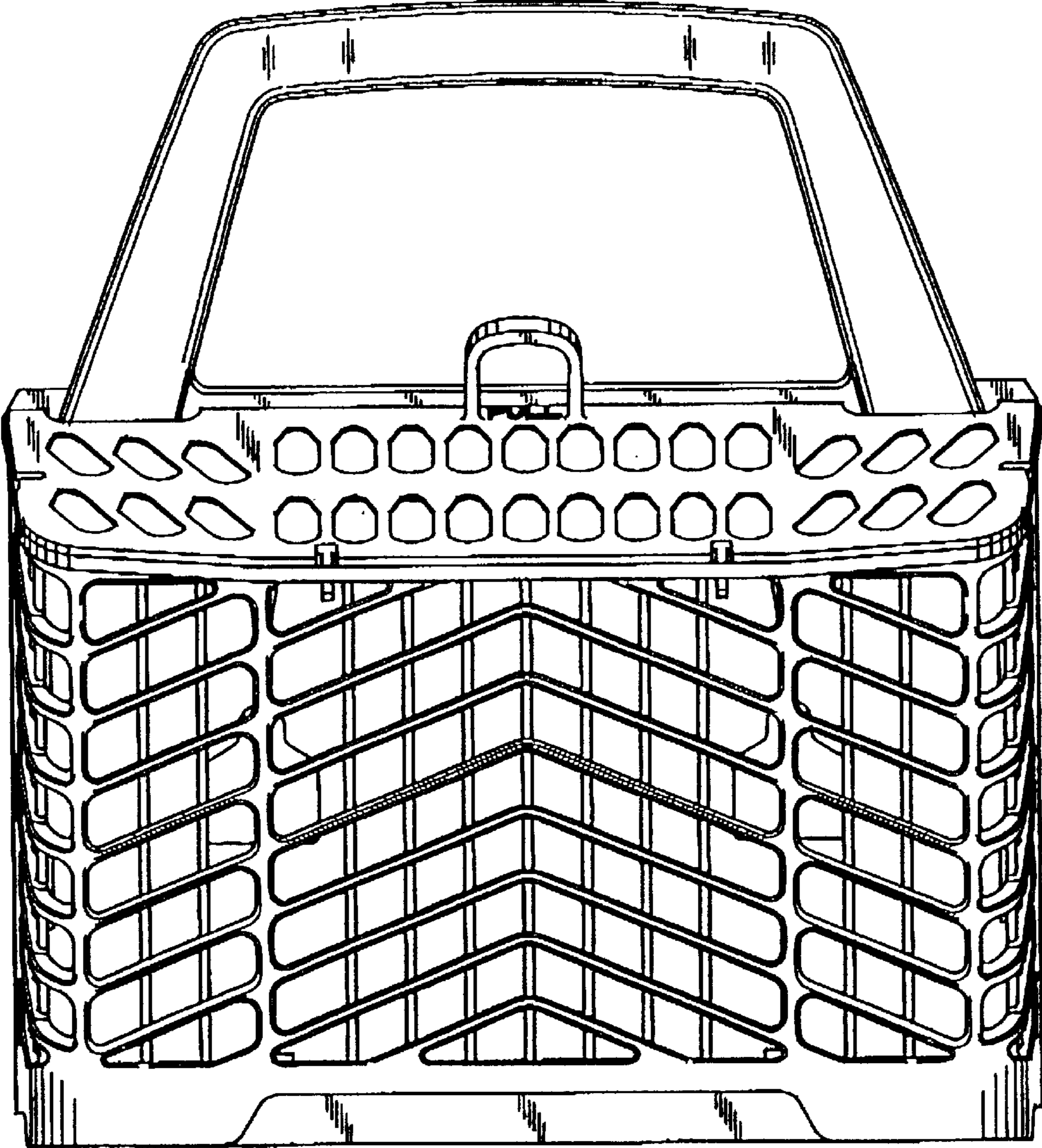


FIG. 3

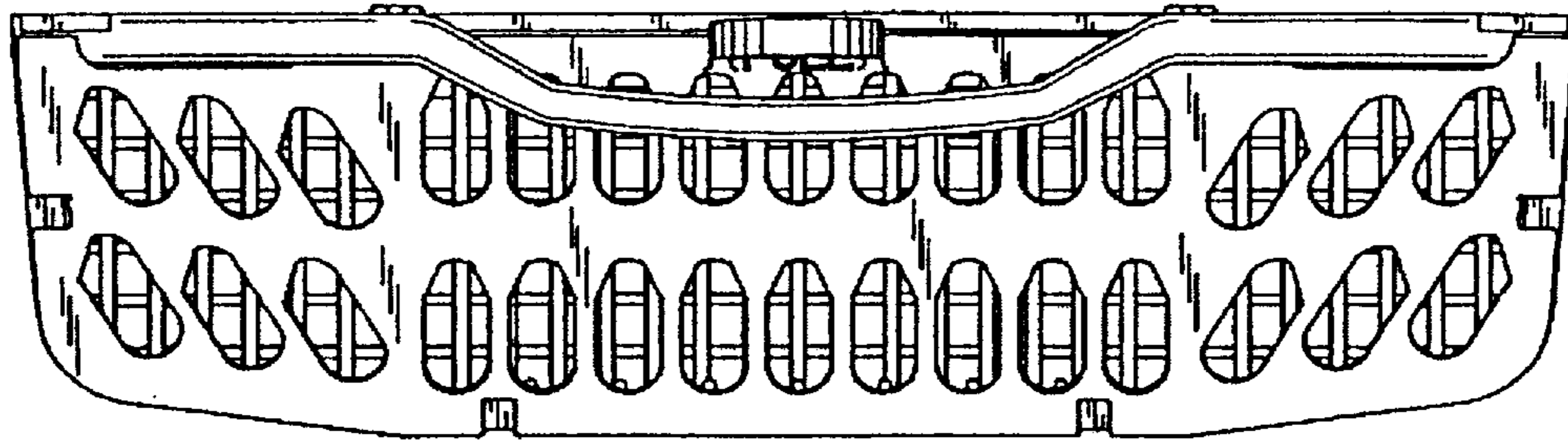


FIG. 4

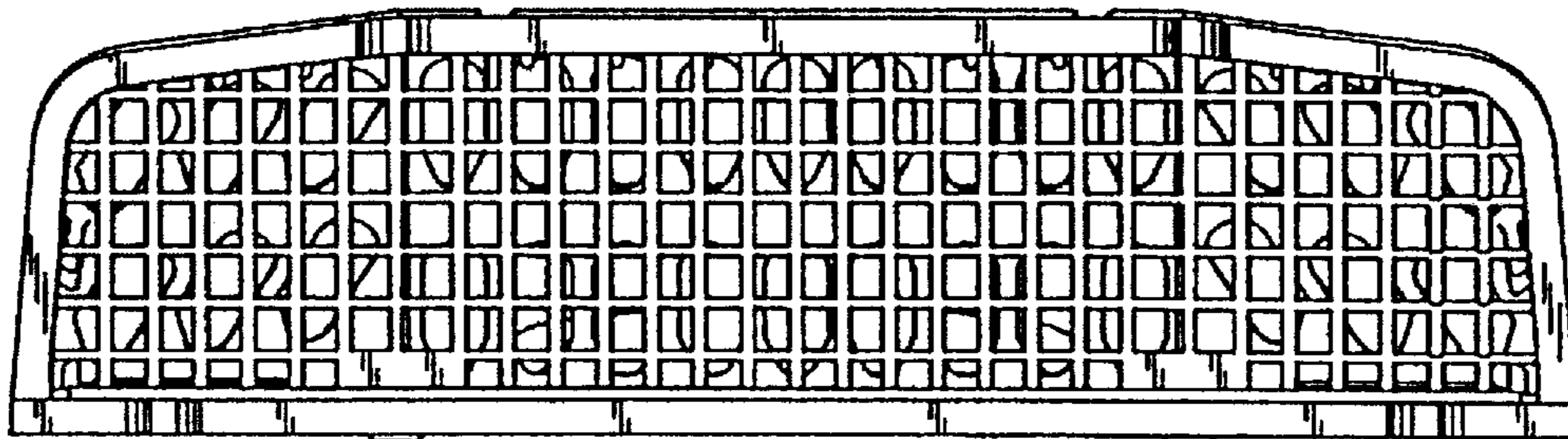


FIG. 5

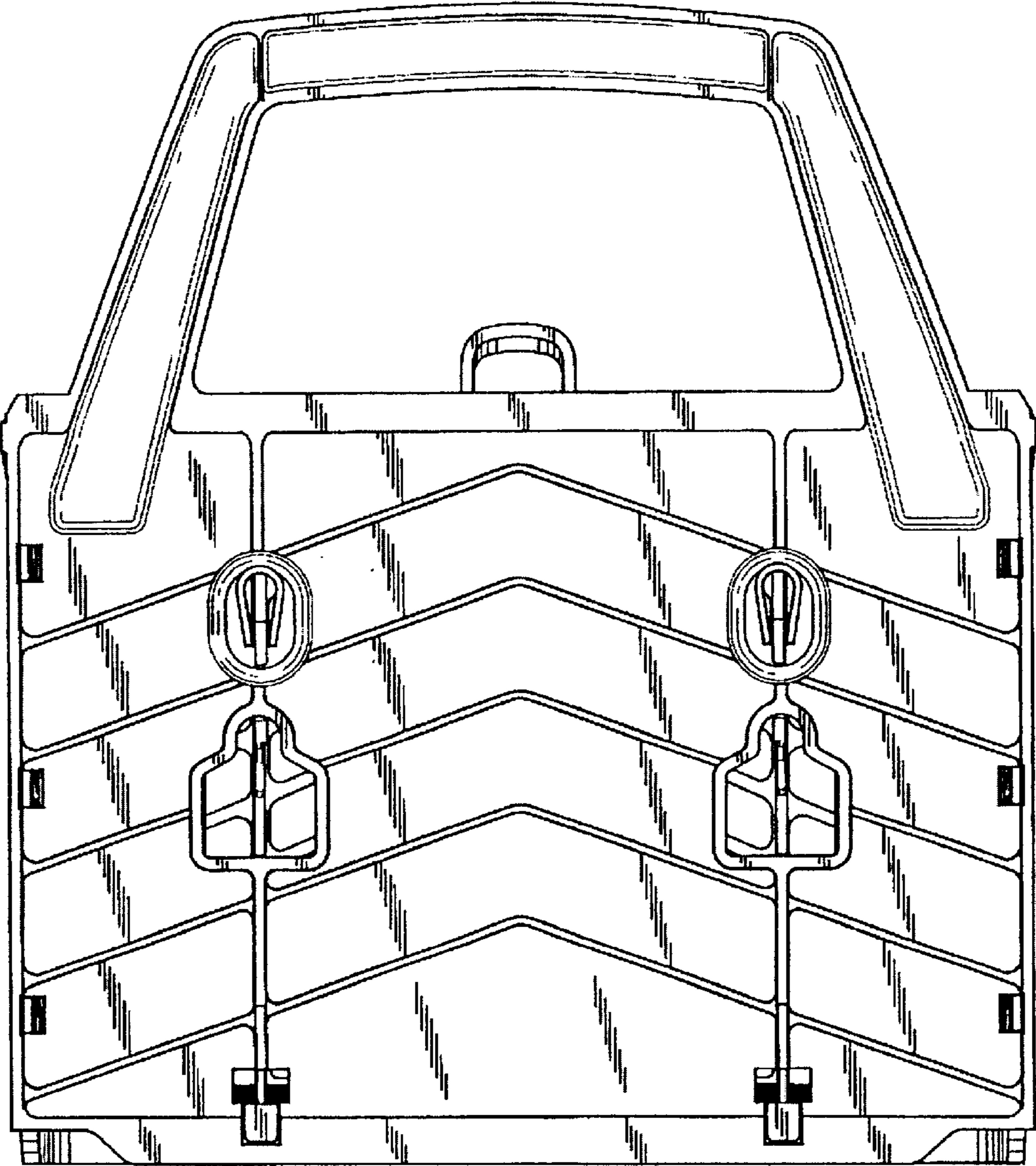


FIG. 6

