



US00D517251S

(12) **United States Design Patent**
Tippetts

(10) **Patent No.:** **US D517,251 S**
(45) **Date of Patent:** **** Mar. 14, 2006**

(54) **SQUIRREL FEEDER**

(76) Inventor: **Mark W. Tippetts**, 1075 County Rd.
782, Mountain Home, AR (US) 72653

(**) Term: **14 Years**

(21) Appl. No.: **29/214,335**

(22) Filed: **Oct. 1, 2004**

(51) **LOC (8) Cl.** **30-07**

(52) **U.S. Cl.** **D30/121**

(58) **Field of Classification Search** D30/121,
D30/124, 127; 119/51.03, 51.01, 52.2, 55
See application file for complete search history.

(56) **References Cited**

U.S. PATENT DOCUMENTS

2,826,171 A	3/1958	Piel	
3,537,178 A	11/1970	Regan	
D337,861 S	7/1993	Ross	
D359,146 S *	6/1995	Finch D30/121
5,755,178 A	5/1998	Lush	
6,564,746 B1	5/2003	Burnham	

* cited by examiner

Primary Examiner—Alan P. Douglas
Assistant Examiner—Susan Moon Lee
(74) *Attorney, Agent, or Firm*—Stephen D. Carver

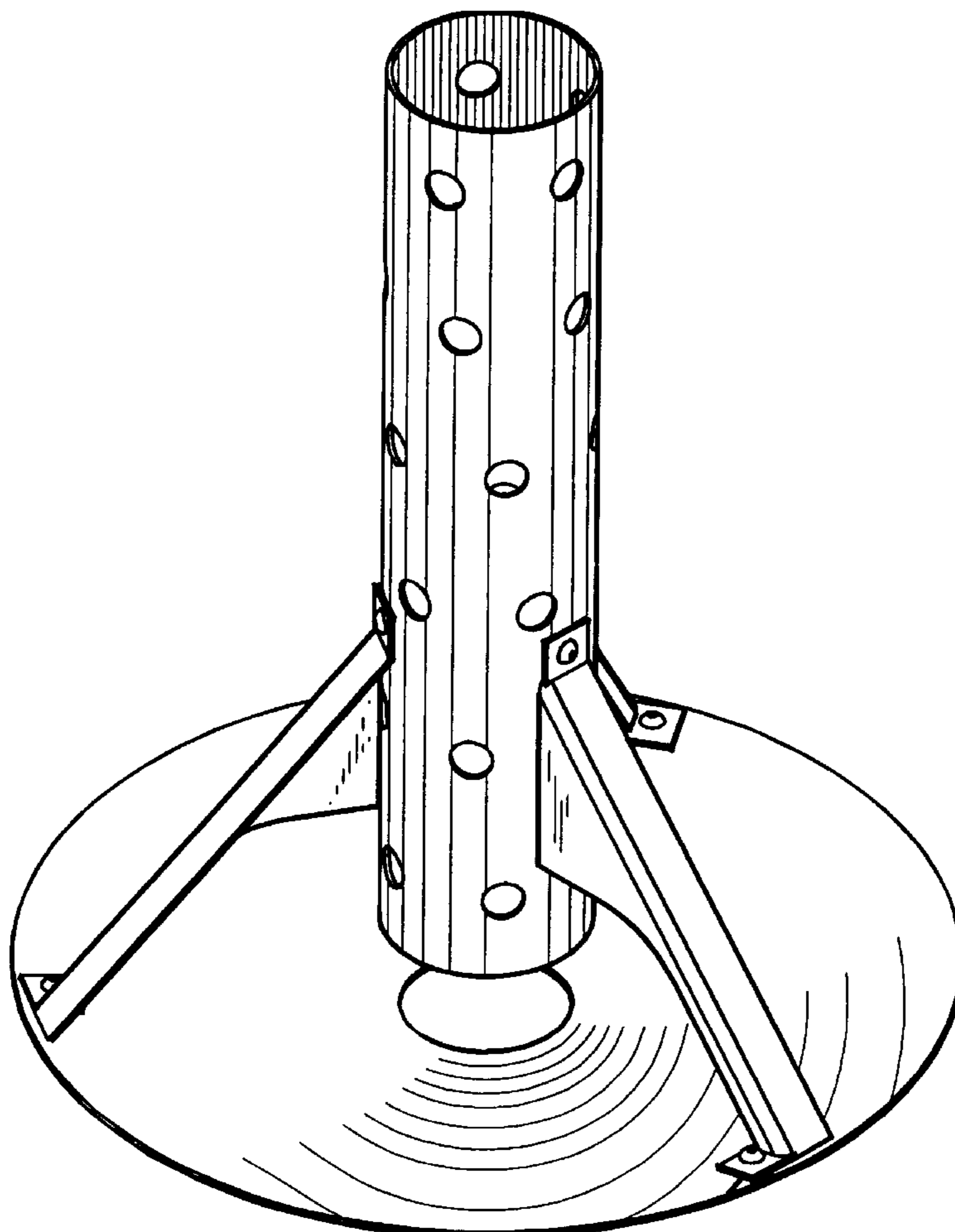
(57) **CLAIM**

The ornamental design for a squirrel feeder, as shown and described.

DESCRIPTION

FIG. 1 is a frontal isometric view of a preferred embodiment of my squirrel feeder.
FIG. 2 is a rear isometric view of the preferred embodiment;
FIG. 3 is a bottom isometric view of the preferred embodiment;
FIG. 4 is a front elevational view of the preferred embodiment;
FIG. 5 is a rear elevational view of the preferred embodiment;
FIG. 6 is a right side elevational view of the preferred embodiment;
FIG. 7 is a left side elevational view of the preferred embodiment;
FIG. 8 is a top plan view of the preferred embodiment; and,
FIG. 9 is a bottom plan view of the preferred embodiment.

1 Claim, 9 Drawing Sheets



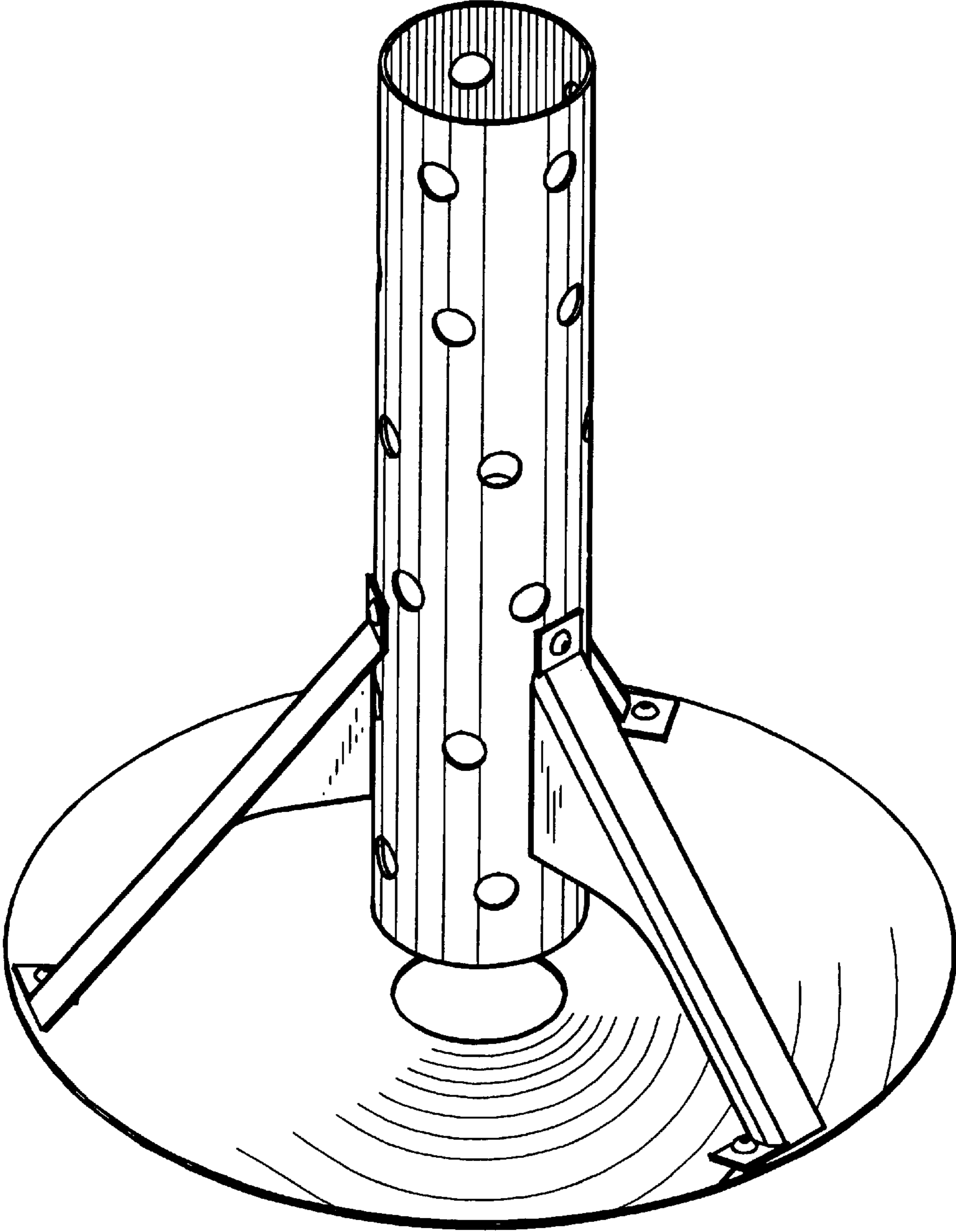


Fig. 1

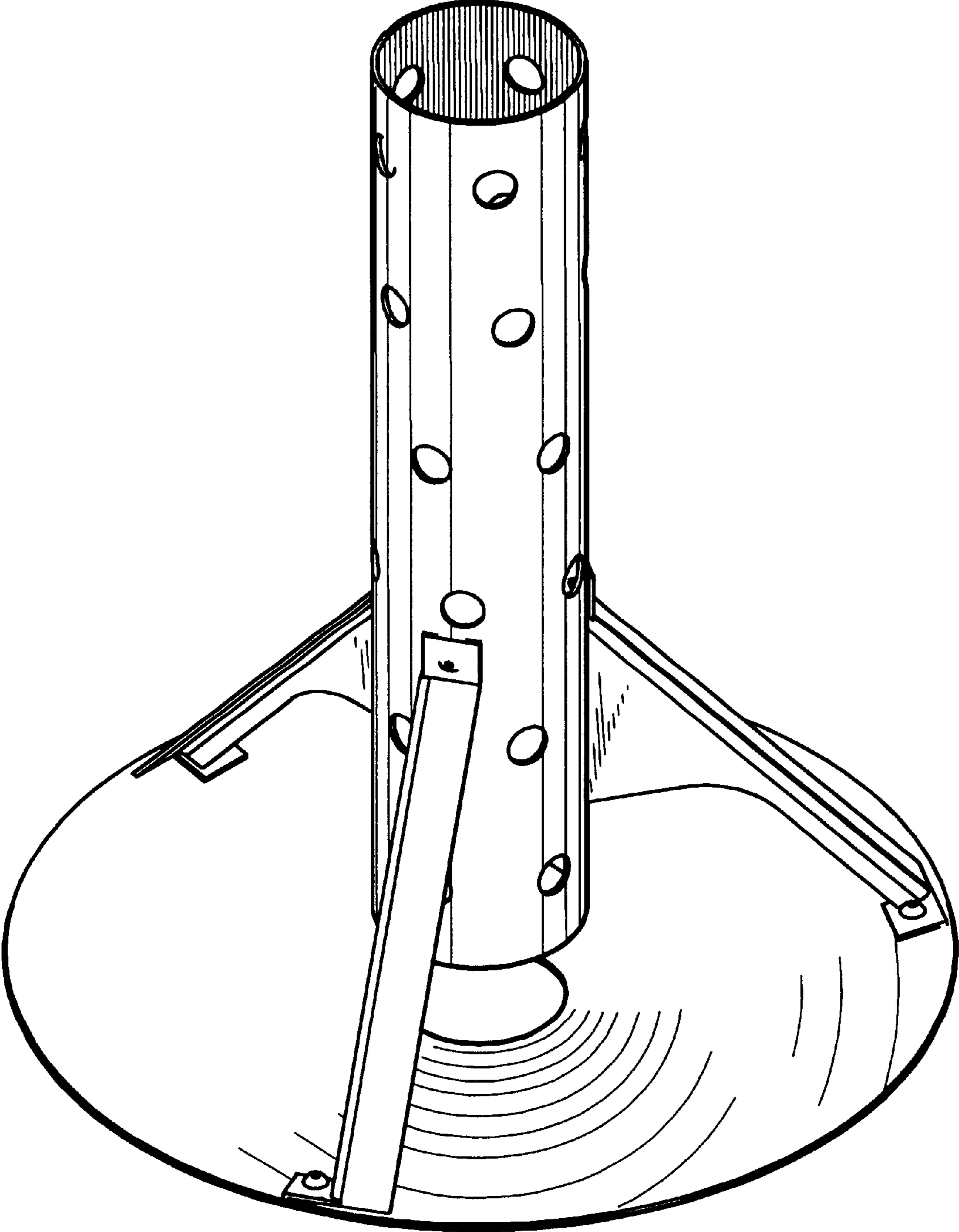


Fig. 2

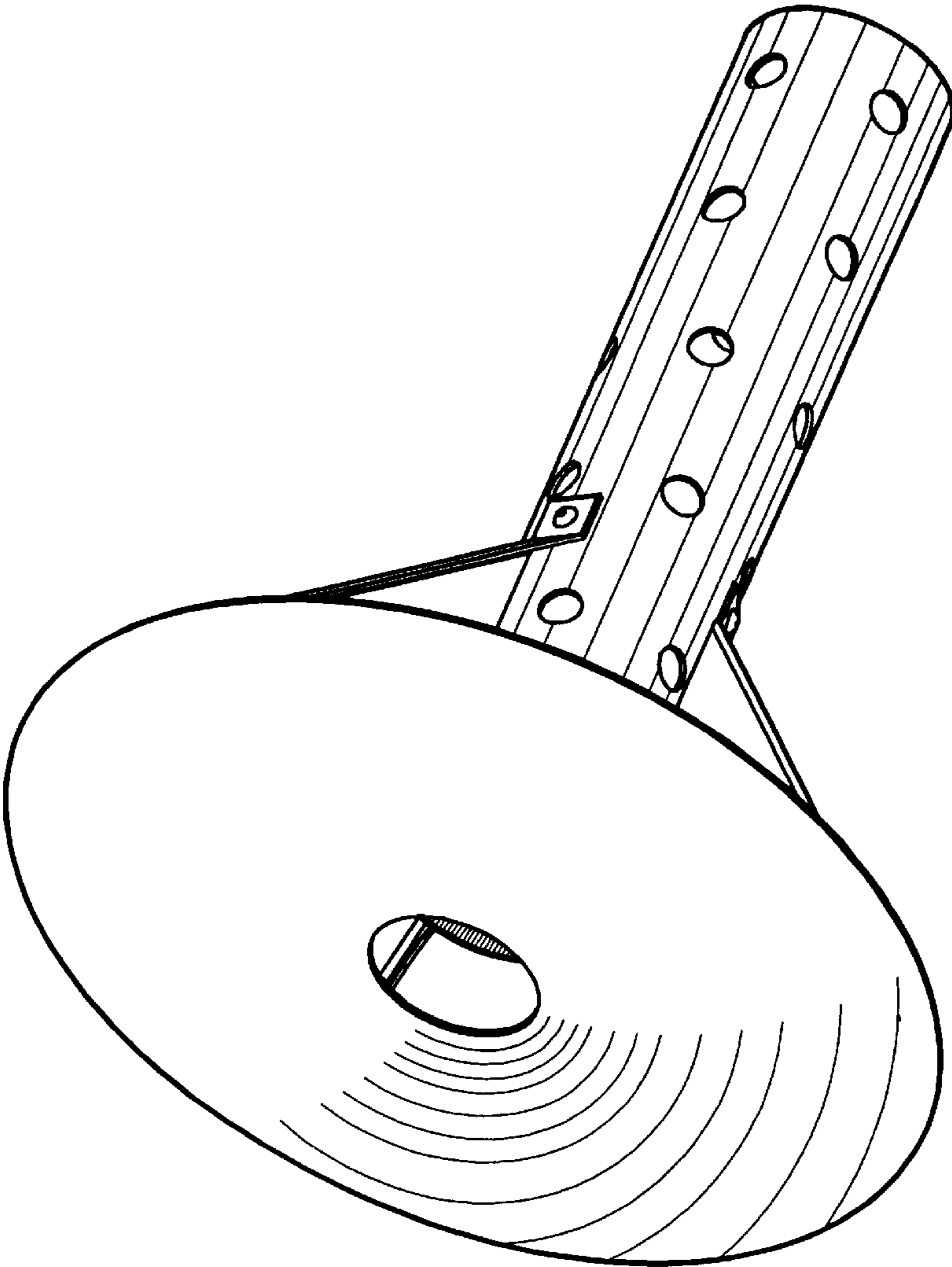


Fig. 3

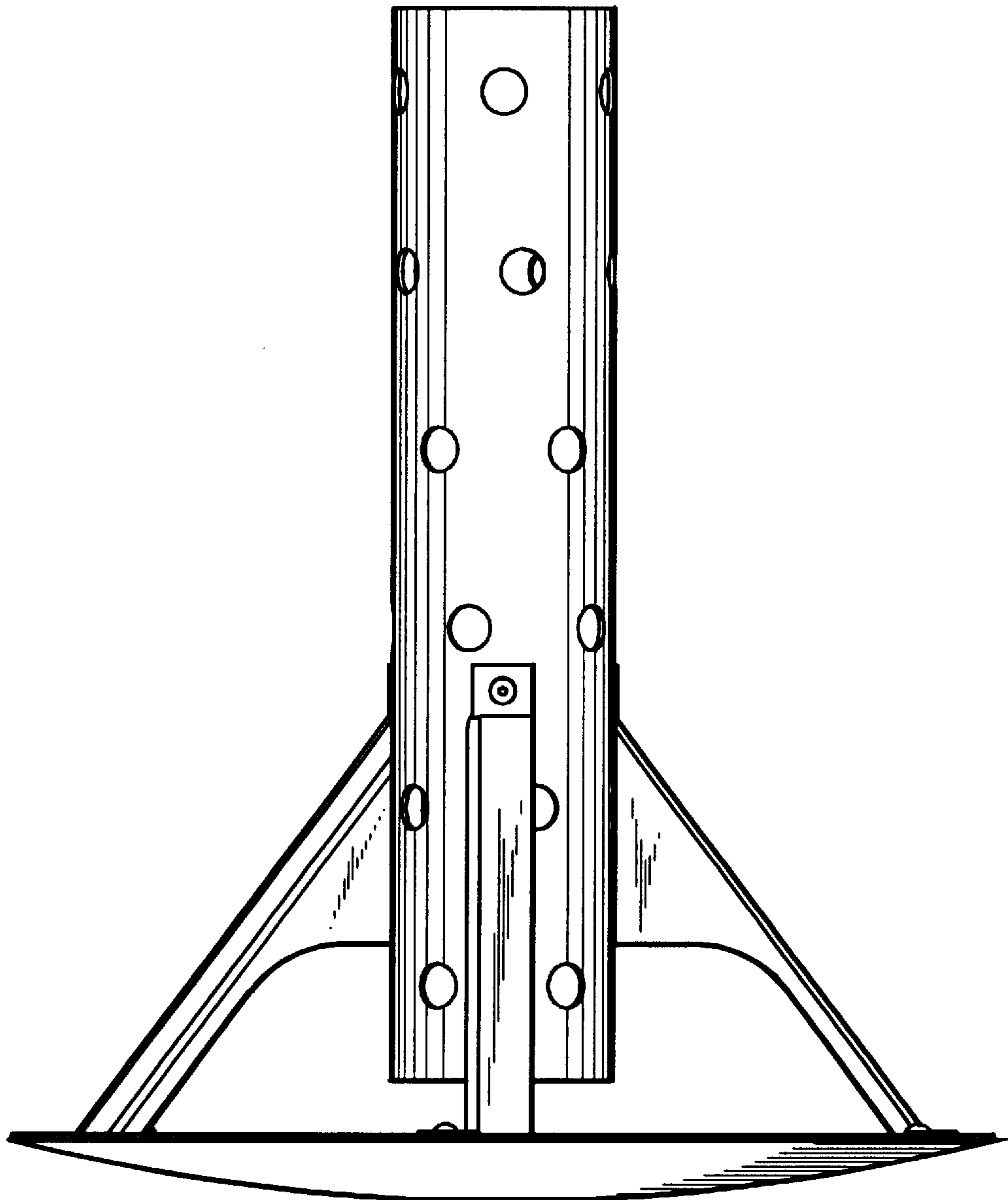


Fig. 4

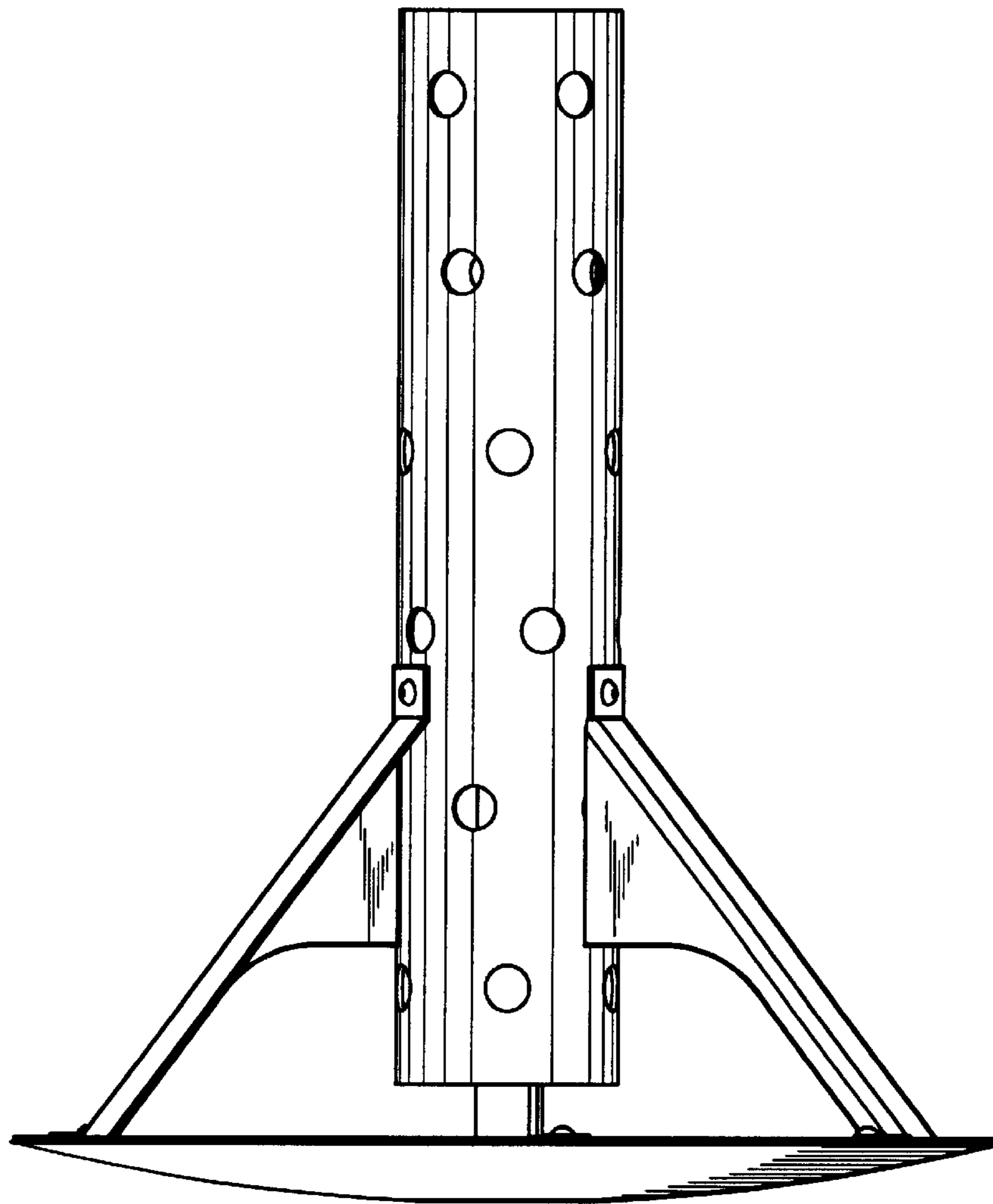


Fig. 5

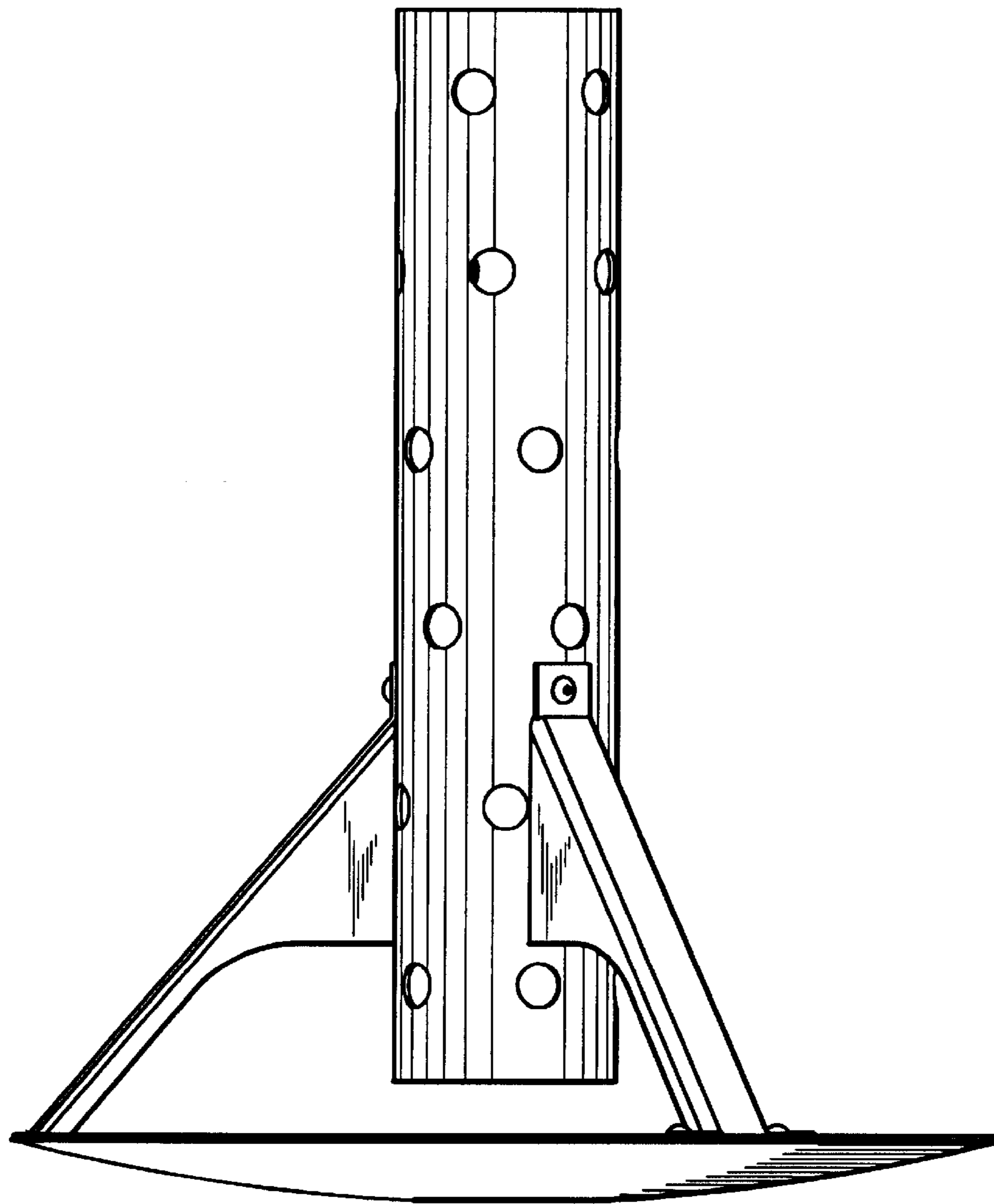


Fig. 6

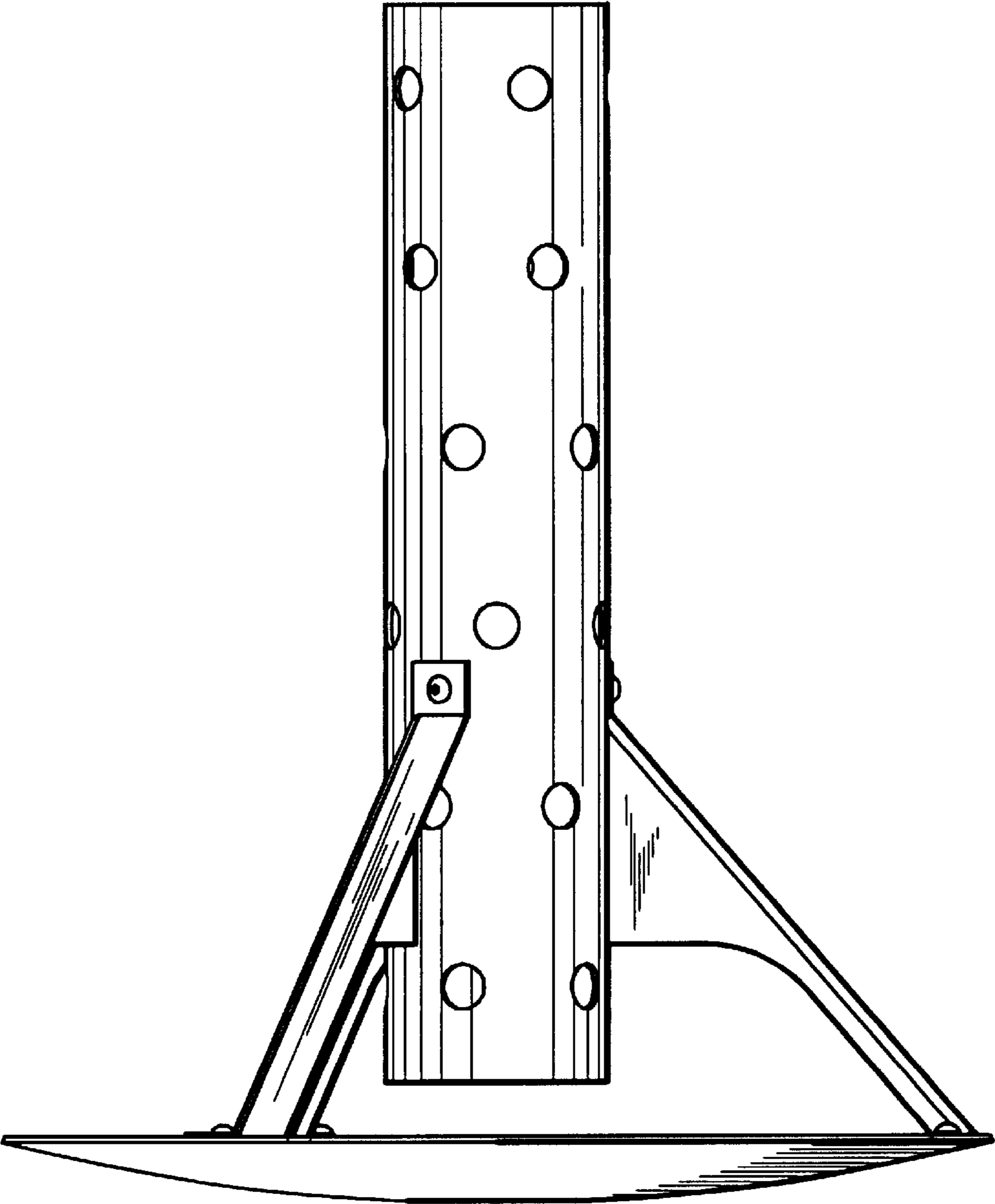


Fig. 7

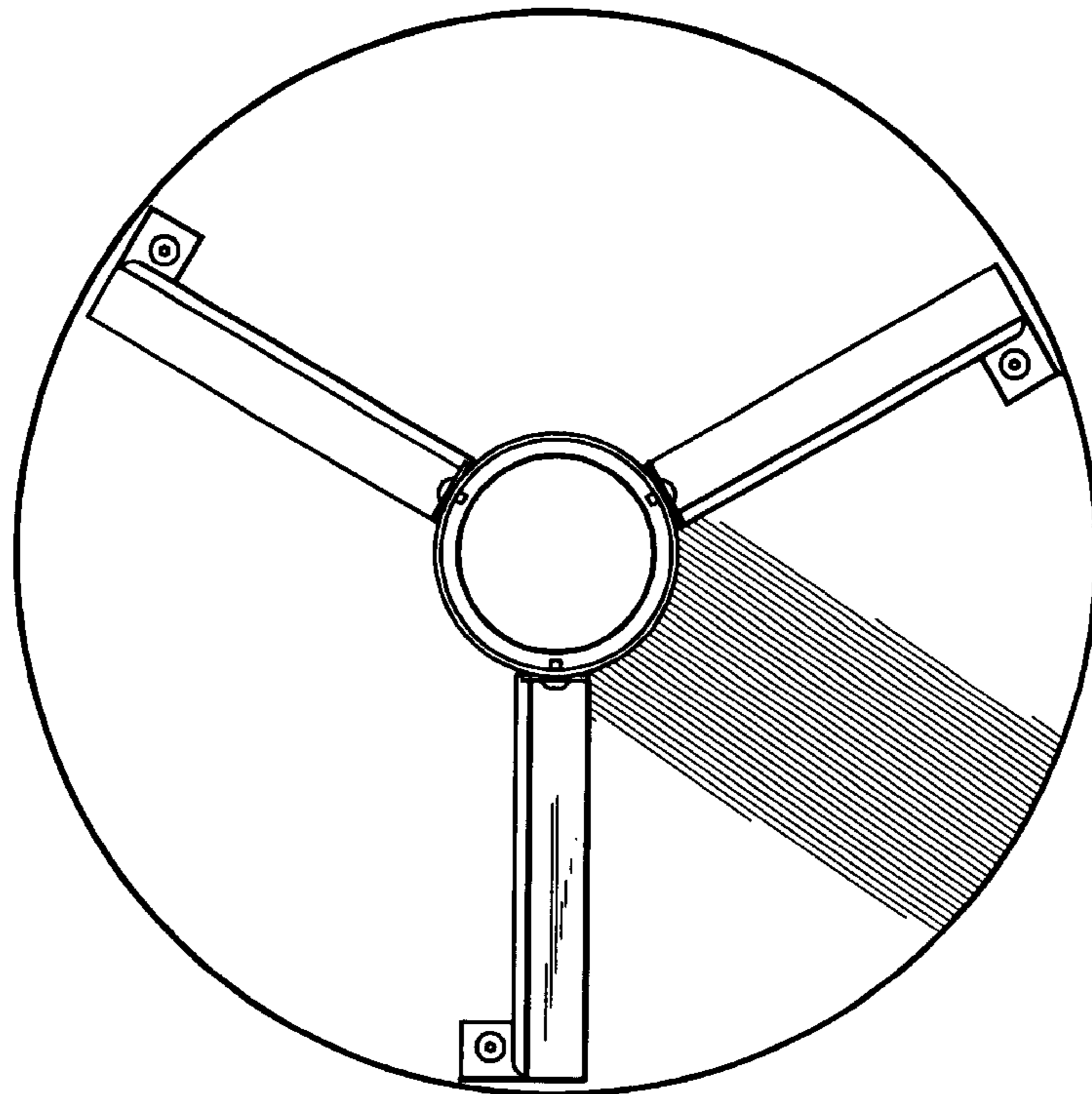


Fig. 8

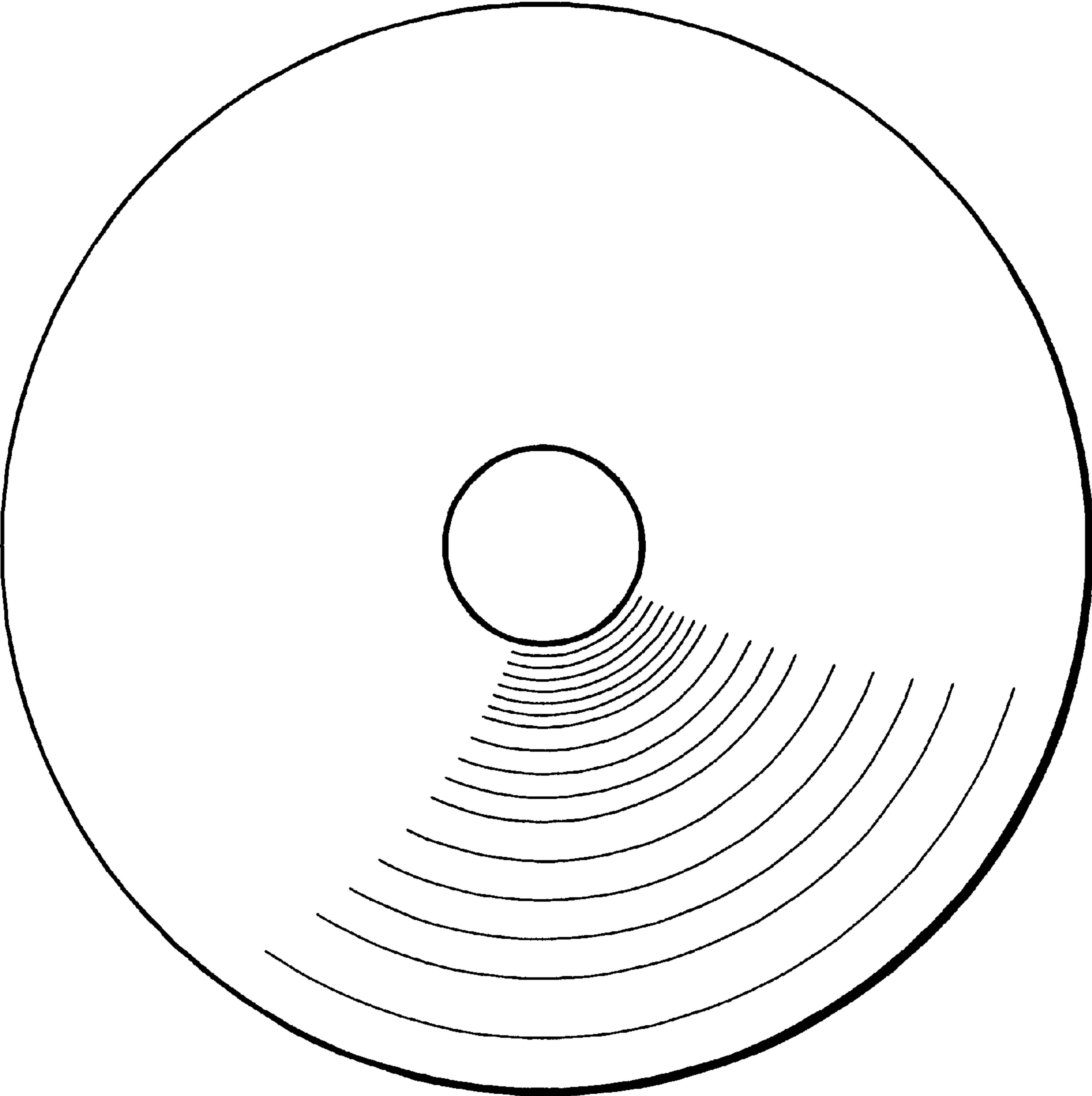


Fig. 9