



US00D517250S

(12) **United States Design Patent**  
**Polstein**

(10) **Patent No.:** **US D517,250 S**  
(45) **Date of Patent:** **\*\* Mar. 14, 2006**

(54) **PROTECTIVE HELMET MASK**

6,763,524 B1 \* 7/2004 Halstead et al. .... 2/9

(76) Inventor: **Michael A. Polstein**, 9035 SW. 96<sup>th</sup> St.,  
Miami, FL (US) 33176

\* cited by examiner

(\*\*) Term: **14 Years**

*Primary Examiner*—Ruth McInroy

(74) *Attorney, Agent, or Firm*—Gold & Rizvi, P.A.; H. John Rizvi; Glenn E. Gold

(21) Appl. No.: **29/205,847**

(57) **CLAIM**

(22) Filed: **May 21, 2004**

I claim the ornamental design for a protective helmet mask, as shown and described.

(51) **LOC (8) Cl.** ..... **09-03**

(52) **U.S. Cl.** ..... **D29/122**

(58) **Field of Classification Search** ..... D29/102–111,  
D29/122; 2/410–411, 9, 423, 424, 425  
See application file for complete search history.

**DESCRIPTION**

FIG. 1 is a front-right perspective view of a protective helmet mask showing my new design;  
FIG. 2 is a front-right perspective view thereof;  
FIG. 3 is a front elevation view thereof;  
FIG. 4 is a rear elevation view thereof;  
FIG. 5 is a right side elevation view, the left side being a mirror image thereof;  
FIG. 6 is a top plan view thereof; and,  
FIG. 7 is a bottom plan view thereof.

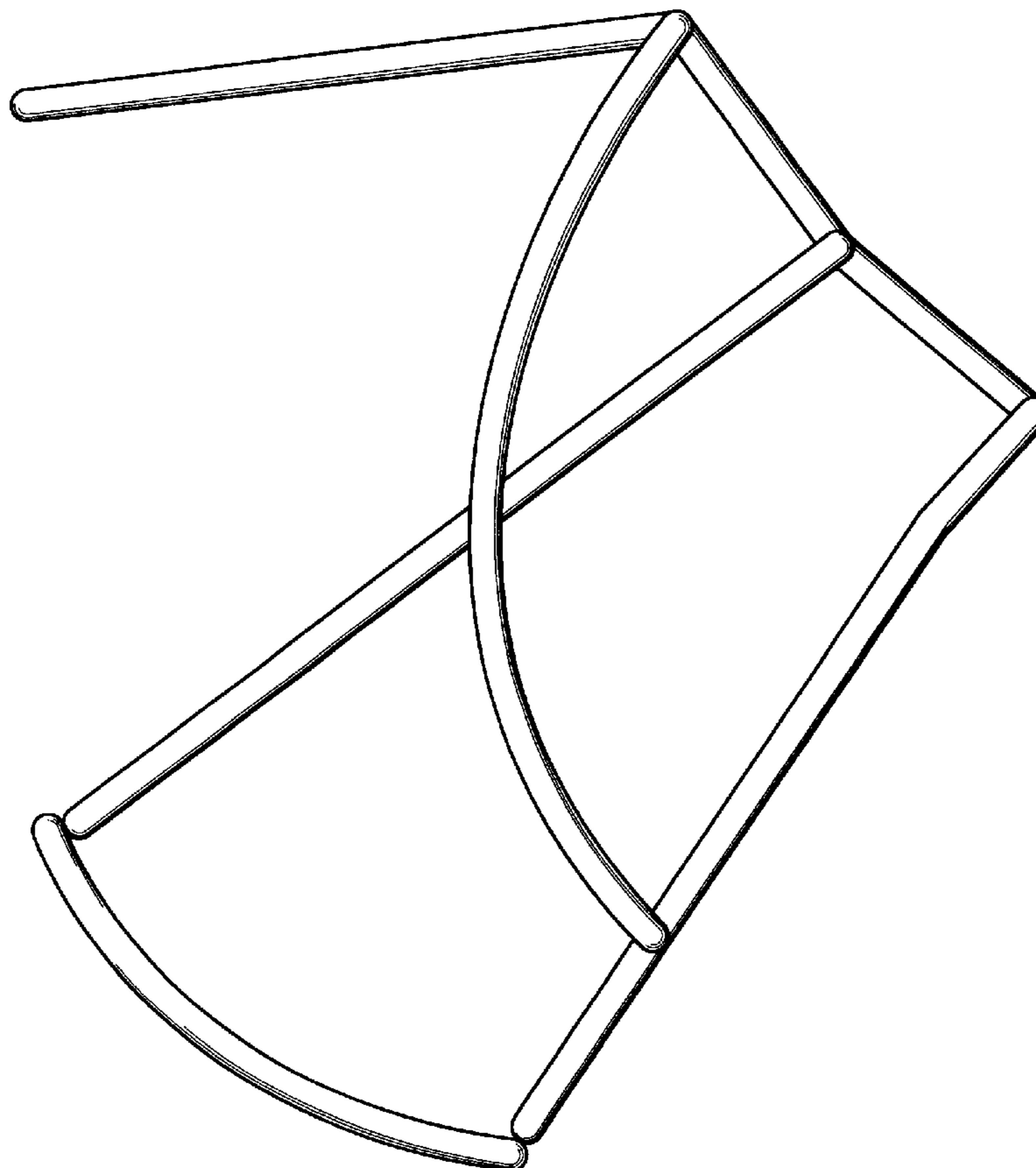
The details shown in broken lines in FIG. 1 are for illustrative purposes only and form no part of the claimed design.

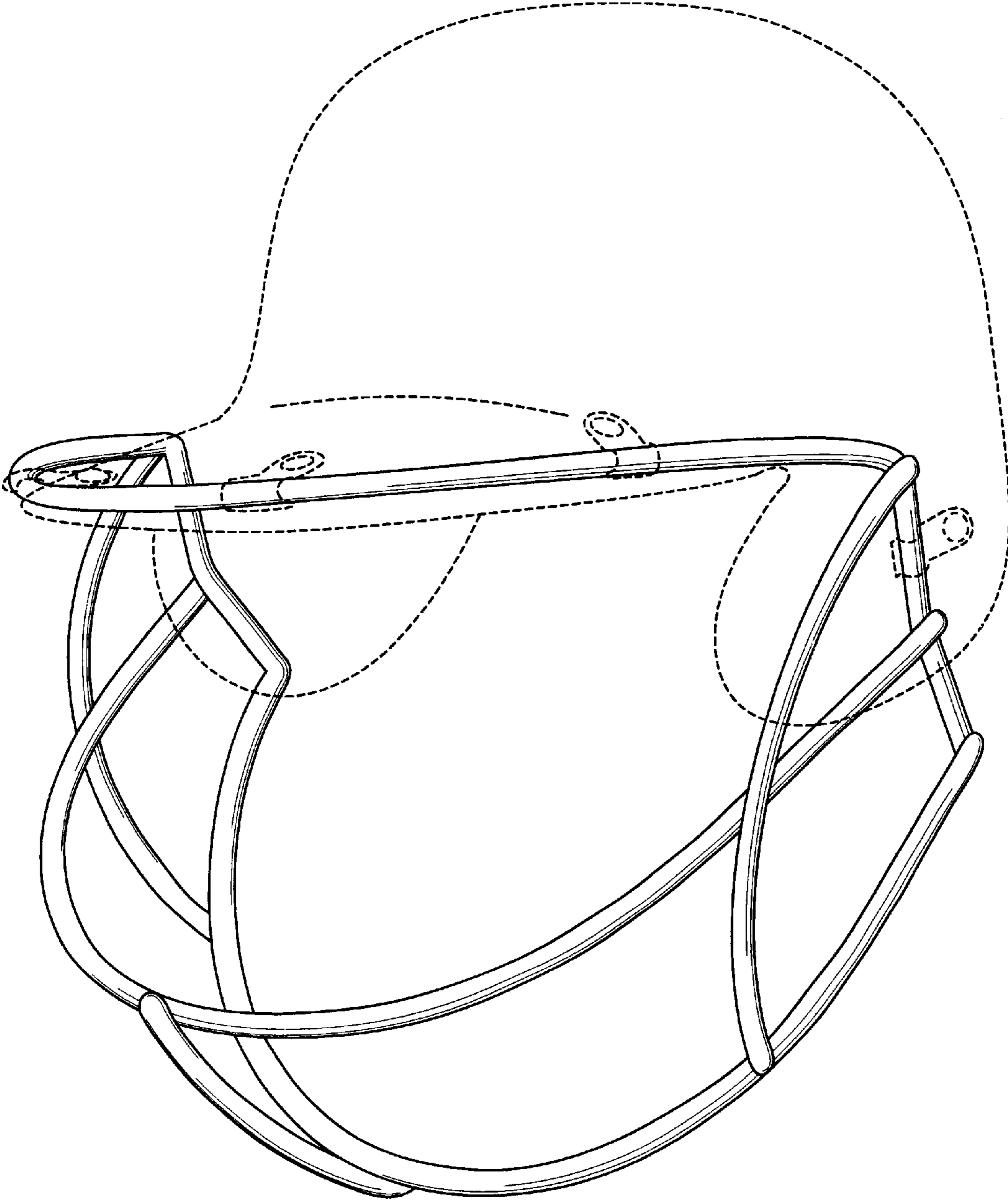
(56) **References Cited**

**U.S. PATENT DOCUMENTS**

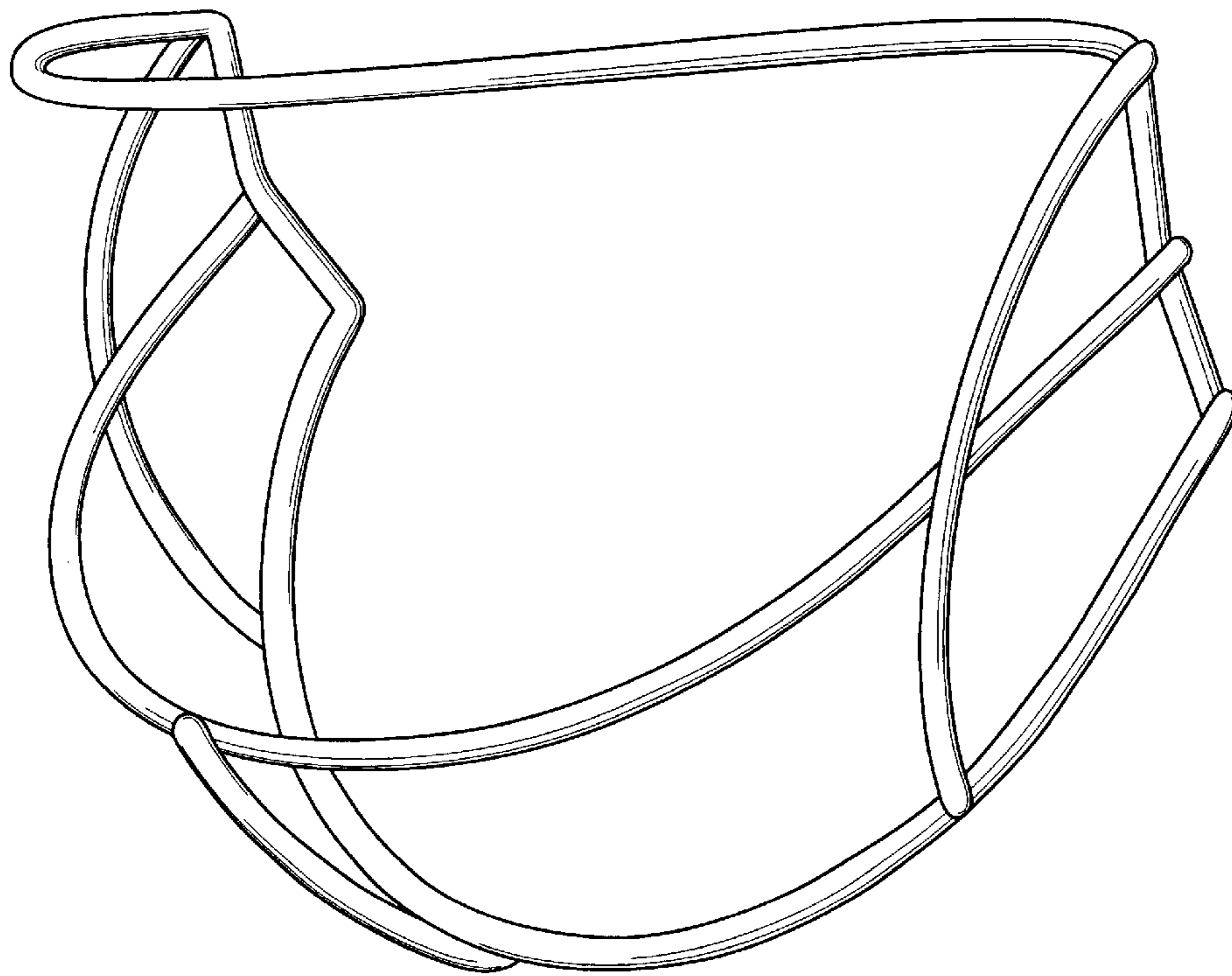
D289,568 S	*	4/1987	Nimmons	.....	D29/111
D289,569 S	*	4/1987	Nimmons	.....	D29/111
D298,868 S	*	12/1988	Klindt	.....	D29/111
D358,686 S	*	5/1995	Kraemer	.....	D29/111
D381,127 S	*	7/1997	Rothwell	.....	D29/111
D463,885 S	*	10/2002	Burns	.....	D29/111
D480,839 S	*	10/2003	Hicks, Jr.	.....	D29/111
6,708,339 B1	*	3/2004	Smith, Jr.	.....	2/9

**1 Claim, 7 Drawing Sheets**

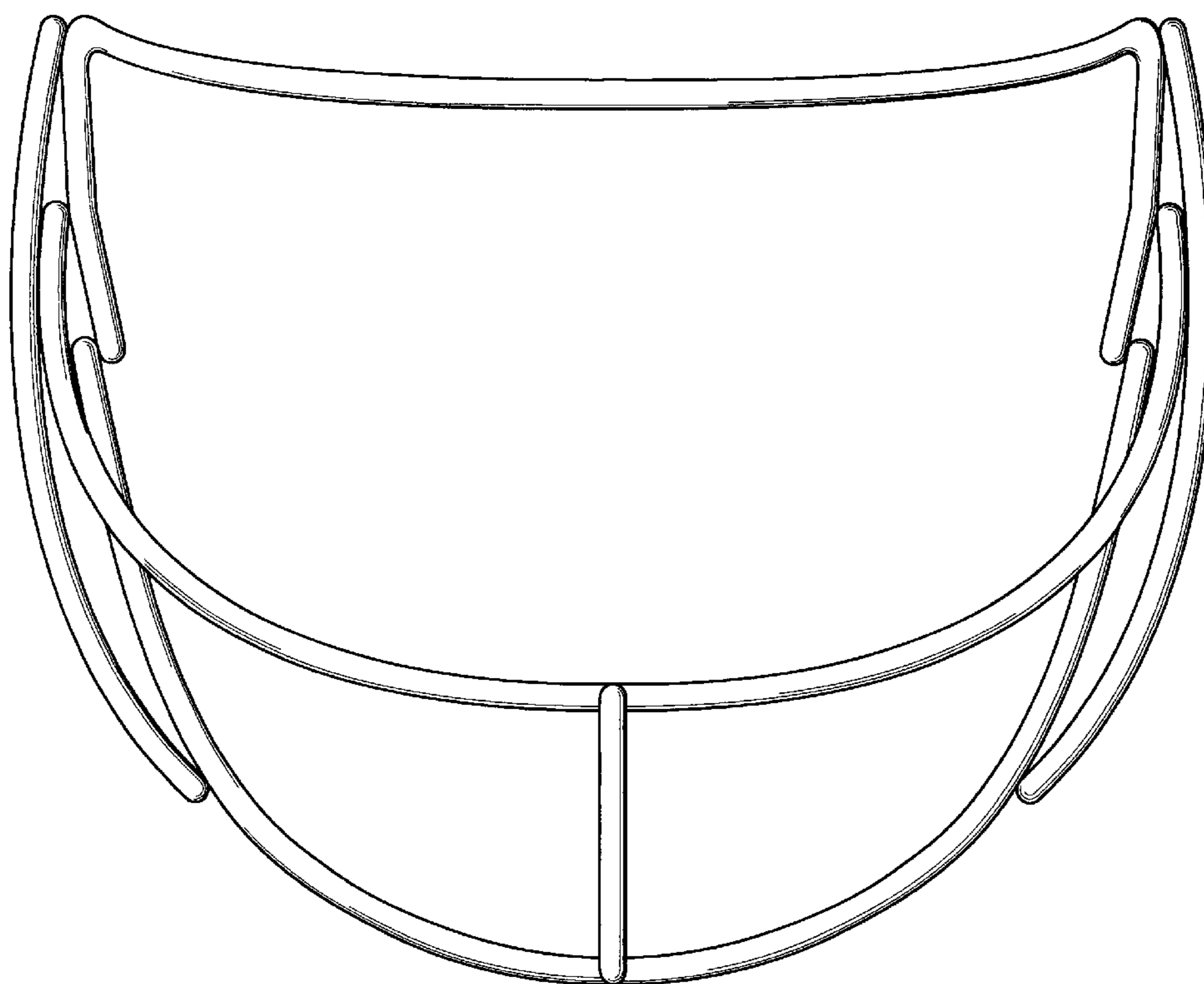




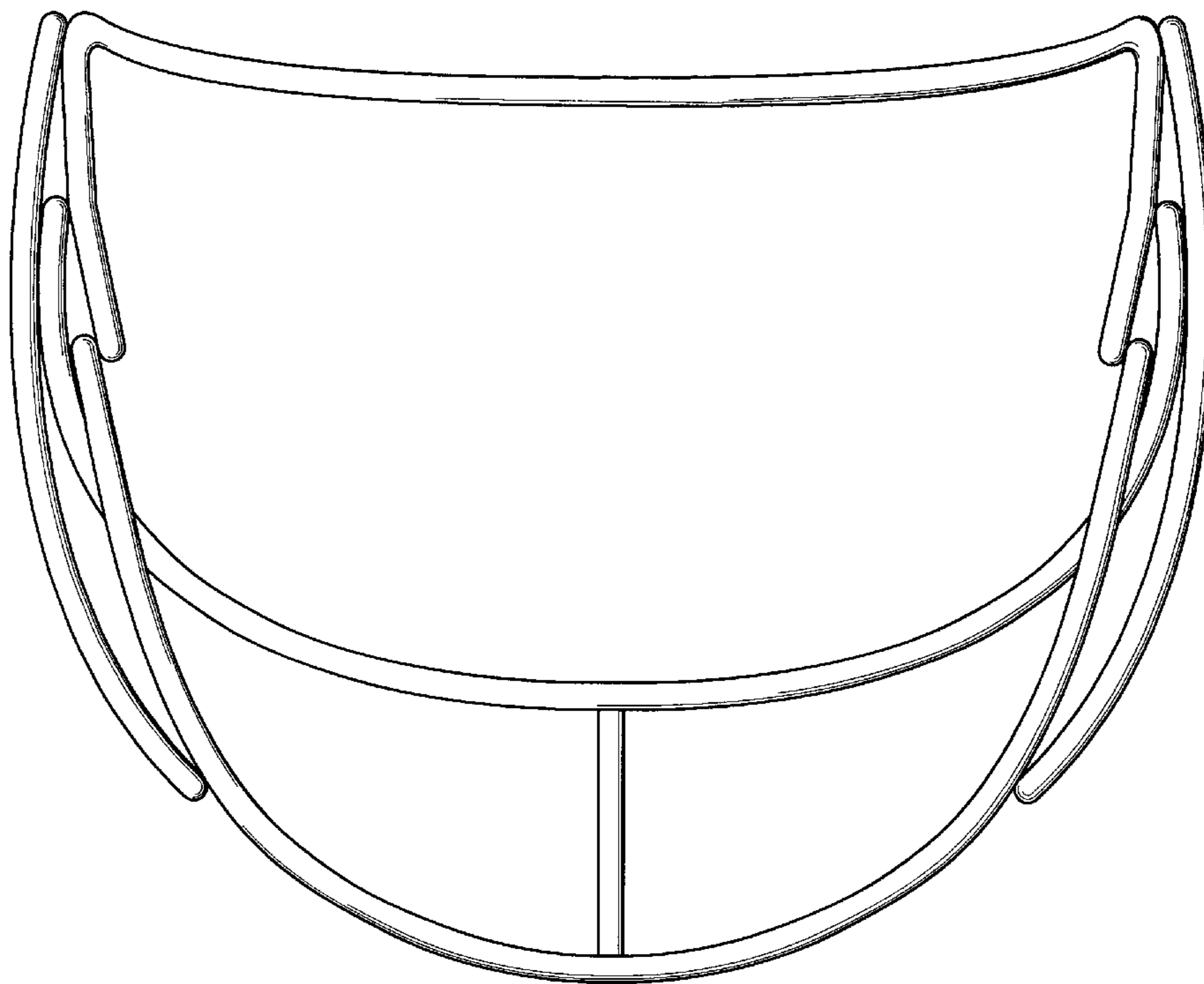
**FIG. 1**



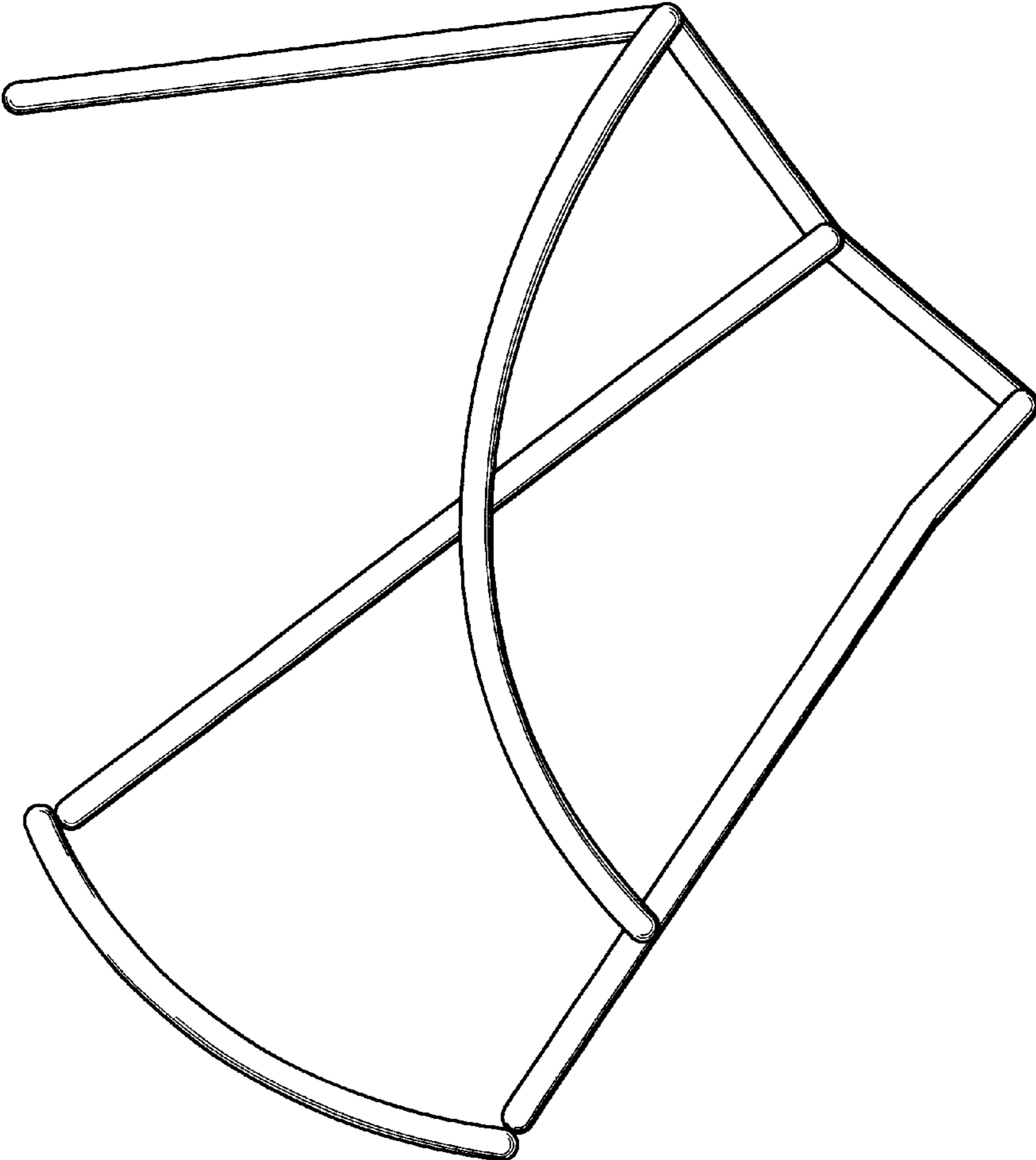
**FIG. 2**



*FIG. 3*

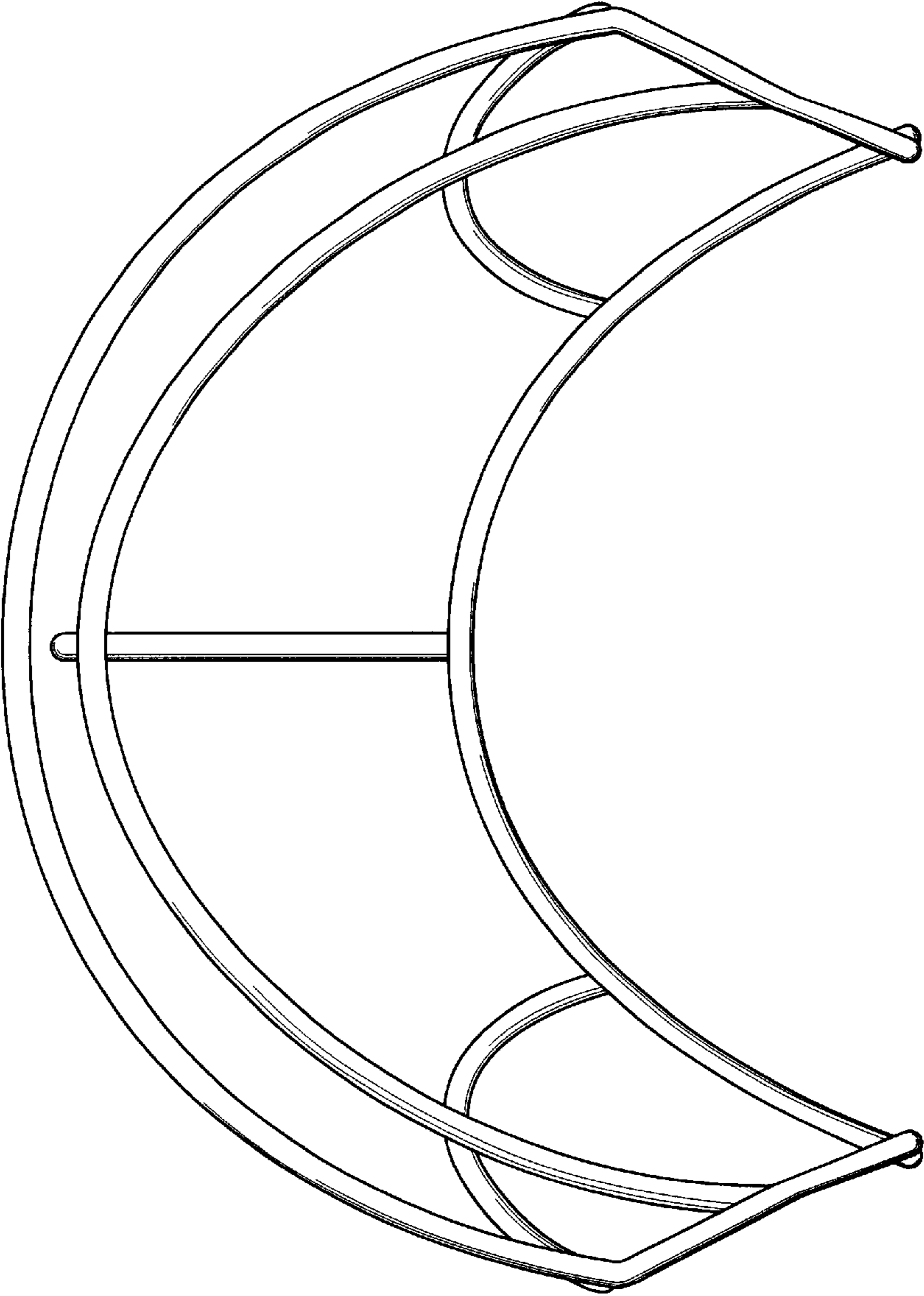


**FIG. 4**

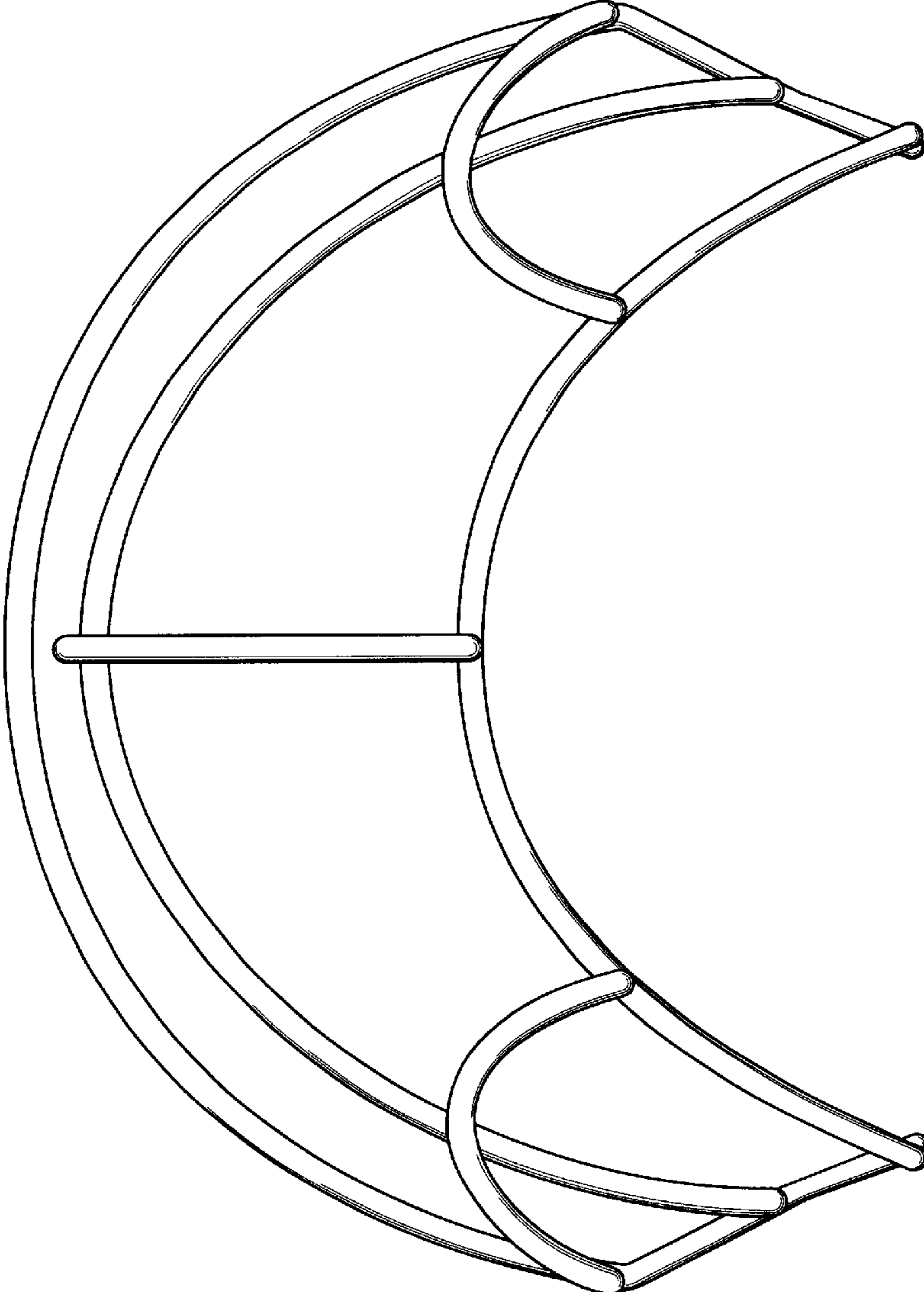


**FIG. 5**





**FIG. 6**



**FIG. 7**