



US00D517249S

(12) **United States Design Patent**
Kalhok

(10) **Patent No.: US D517,249 S**
(45) **Date of Patent: ** Mar. 14, 2006**

- (54) **HELMET**
- (75) Inventor: **David Kalhok**, Marion, IL (US)
- (73) Assignee: **Bombardier Recreational Products Inc.**, Valcourt (CA)
- (**) Term: **14 Years**
- (21) Appl. No.: **29/186,385**
- (22) Filed: **Jul. 16, 2003**

DE	44 16 921	11/1995
EP	0 371 858 A	6/1990
EP	0 590 255	4/1994
EP	0 638 253	2/1995
GB	2 052 244	1/1981
WO	WO94/05175	3/1994

OTHER PUBLICATIONS

Office Action for Canadian Patent Appln. No. 2,354,131, dated Sep. 6, 2001.
Search Report for European Patent Application No. 01130658.6-2314, dated May 10, 2002.

Primary Examiner—Ruth McInroy
(74) *Attorney, Agent, or Firm*—BRP Legal Services

Related U.S. Application Data

- (60) Continuation of application No. 29/148,772, filed on Sep. 20, 2001, now Pat. No. Des. 497,223, which is a division of application No. 29/099,598, filed on Jan. 25, 1999, now Pat. No. Des. 450,160.

(30) **Foreign Application Priority Data**

Dec. 22, 1998 (CA) 1998-3127

- (51) **LOC (8) Cl.** **09-03**
- (52) **U.S. Cl.** **D29/122**
- (58) **Field of Classification Search** D29/102-107, D29/122; 2/414, 418, 423, 424, 425, 9, 455
See application file for complete search history.

(56) **References Cited**

U.S. PATENT DOCUMENTS

1,706,602 A	3/1929	Drager
2,317,608 A	4/1943	Heidbrink
2,348,277 A	5/1944	Boothby et al.
2,867,812 A	1/1959	Roth et al.
3,065,747 A	11/1962	Forkel
3,110,034 A	11/1963	Aileo
3,237,202 A	3/1966	Aileo
3,239,843 A	3/1966	Lobelle
3,310,811 A	3/1967	Iacono, Jr.

(Continued)

FOREIGN PATENT DOCUMENTS

CA	2 065 300	8/1990
DE	28 46 636	4/1980

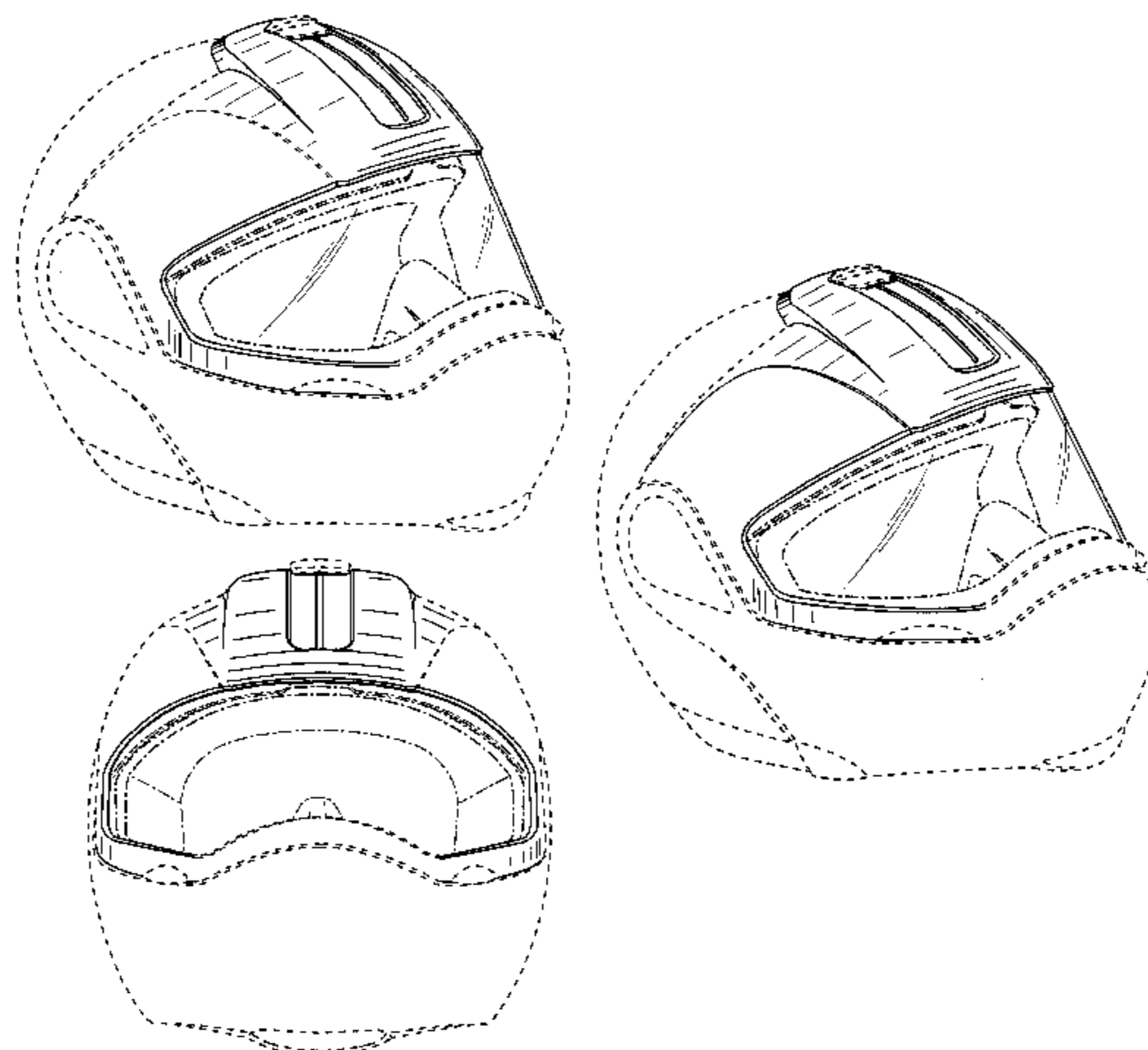
(57) **CLAIM**

I claim the ornamental design for a helmet, as shown and described.

DESCRIPTION

FIG. 1 is a front-right perspective view of a first embodiment of a helmet showing my new design;
FIG. 2 is a front elevational view thereof;
FIG. 3 is a top plan view thereof;
FIG. 4 is a right side elevational view thereof;
FIG. 5 is a left side elevational view thereof;
FIG. 6 is a rear elevational view thereof;
FIG. 7 is a front-right perspective view of a second embodiment thereof;
FIG. 8 is a front elevational view thereof;
FIG. 9 is a top plan view thereof;
FIG. 10 is a right side elevational view thereof;
FIG. 11 is a left side elevational view thereof; and,
FIG. 12 is a rear elevational view thereof.
The broken lines immediately adjacent the shaded areas represent the bounds of the claim and all other broken lines are for illustrative purposes only. None of the broken lines form a part of the claimed design. The claimed design is only the areas with surface shading and solid lines. Any surface without shading, but within solid lines is understood not to be claimed.

1 Claim, 6 Drawing Sheets



US D517,249 S

U.S. PATENT DOCUMENTS

3,351,056 A	11/1967	Durney	5,396,661 A	3/1995	Sutter et al.
3,400,407 A	9/1968	Aileo	D361,867 S	8/1995	Taniuchi
3,721,994 A	3/1973	DeSimone et al.	5,444,875 A	8/1995	Taniuchi
3,768,100 A	10/1973	Colman et al.	5,500,953 A	3/1996	Reuber et al.
3,833,935 A	9/1974	Ansite et al.	5,515,843 A	5/1996	Chang
3,971,368 A	7/1976	Forbes et al.	5,538,001 A	7/1996	Bridges
4,170,042 A	10/1979	Aileo	5,549,104 A	8/1996	Crump et al.
4,195,328 A	3/1980	Harris, Jr.	5,555,569 A	9/1996	Lane
4,315,335 A	2/1982	Kennedy, Jr. et al.	5,584,073 A	12/1996	Radzelovage et al.
4,400,591 A	8/1983	Jennings et al.	5,603,317 A	2/1997	Farmer
4,514,864 A	5/1985	Huber	5,619,755 A	4/1997	Casartelli
4,555,815 A	12/1985	Walther	5,630,412 A	5/1997	Dubruille et al.
4,556,994 A	12/1985	Kawasaki et al.	5,649,532 A	7/1997	Griffiths
4,579,113 A	4/1986	McCreadie et al.	5,653,225 A	8/1997	Schegerin
4,584,721 A	4/1986	Yamamoto	5,680,656 A	10/1997	Gath
4,595,003 A	6/1986	Shoemaker et al.	5,694,650 A	12/1997	Hong
4,598,430 A	7/1986	Nava	5,722,091 A	3/1998	Keller et al.
4,667,348 A	5/1987	Sundahl	5,758,639 A	6/1998	Ikonen
4,676,236 A	6/1987	Piorkowski et al.	5,765,235 A	6/1998	Arnold
4,689,836 A	9/1987	Vitaloni	5,794,260 A	8/1998	Schegerin
4,704,746 A	11/1987	Nava	5,797,146 A	8/1998	Matich
4,734,940 A	4/1988	Galet et al.	5,901,369 A	5/1999	Pilney
4,764,990 A	8/1988	Markert	5,910,764 A	6/1999	Hayden
4,803,980 A	2/1989	Nowakowski et al.	D411,900 S	7/1999	Puleo
4,886,056 A	12/1989	Simpson	5,924,420 A	7/1999	Reischel et al.
4,907,300 A	3/1990	Dampney et al.	5,930,843 A	8/1999	Kelly
D312,513 S	11/1990	Morin	D418,255 S	12/1999	Hohdorf
5,003,632 A	4/1991	Claude	6,047,409 A	4/2000	Simpson
5,078,130 A	1/1992	Van Oosten et al.	6,075,857 A	6/2000	Doss, Jr. et al.
5,093,939 A	3/1992	Noyerie et al.	6,085,358 A	7/2000	Cogan
H1039 H	4/1992	Tripp, Jr. et al.	6,161,225 A	12/2000	Arai
5,148,550 A	9/1992	Hodgkinson et al.	6,249,918 B1	6/2001	Lacroix
D331,299 S	11/1992	Kamata	D445,546 S	7/2001	Gafforio
5,187,502 A	2/1993	Howell	D446,357 S	8/2001	Shida
D334,250 S	3/1993	Gallet	D447,605 S	9/2001	Kalhok
D340,545 S	10/1993	Kamata	D450,160 S	11/2001	Kalhok
D340,546 S	10/1993	Kamata	D451,643 S	12/2001	Kalhok
5,291,880 A	3/1994	Almovist et al.	D452,592 S	12/2001	Kalhok
D351,685 S	10/1994	Kamata	6,425,143 B1	7/2002	Benedict et al.
5,351,339 A	10/1994	Reuber et al.	D475,815 S *	6/2003	Kalhok D29/107
5,394,566 A	3/1995	Hong	6,606,751 B1 *	8/2003	Kalhok et al. 2/424

* cited by examiner

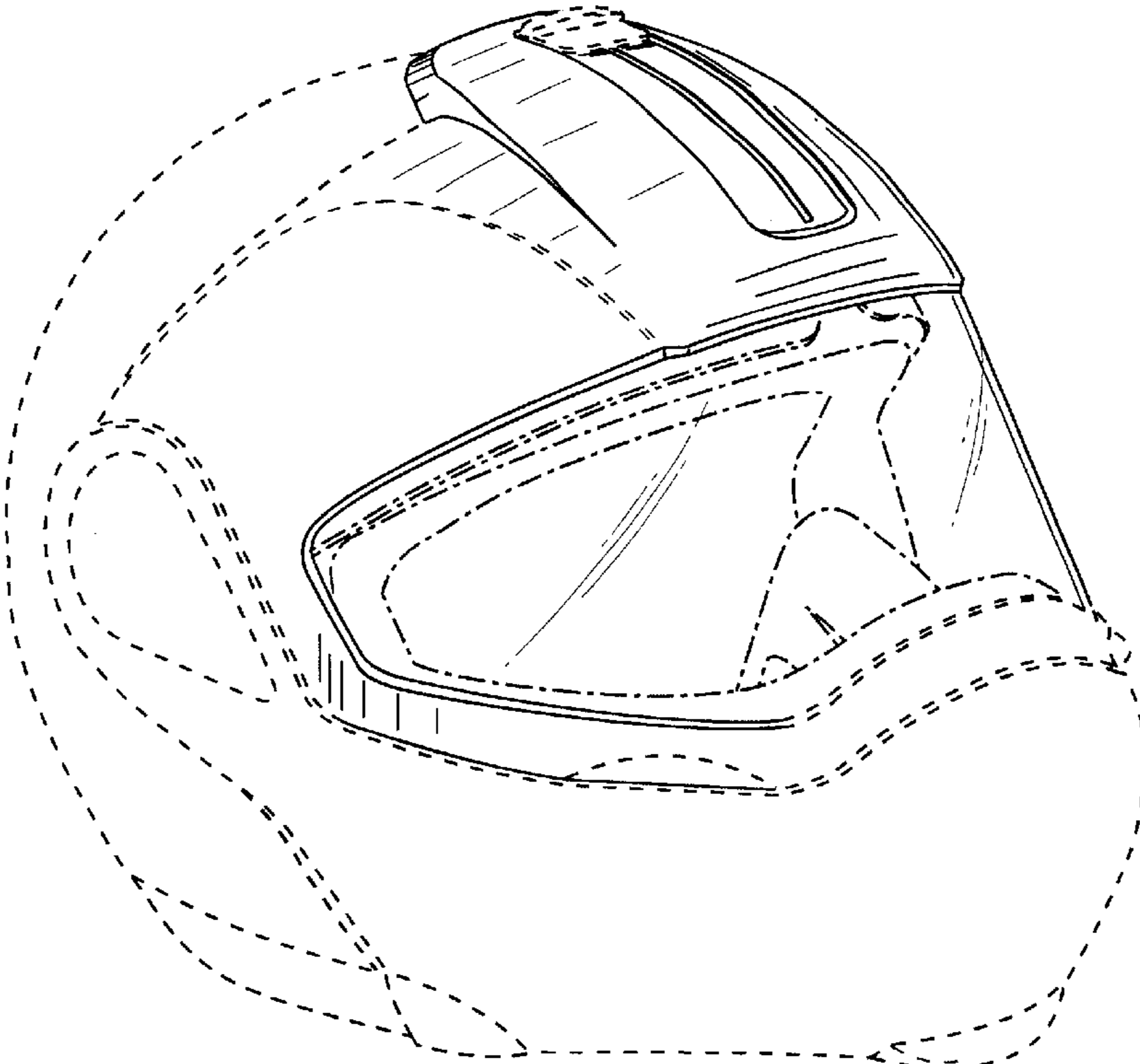


FIG. 1

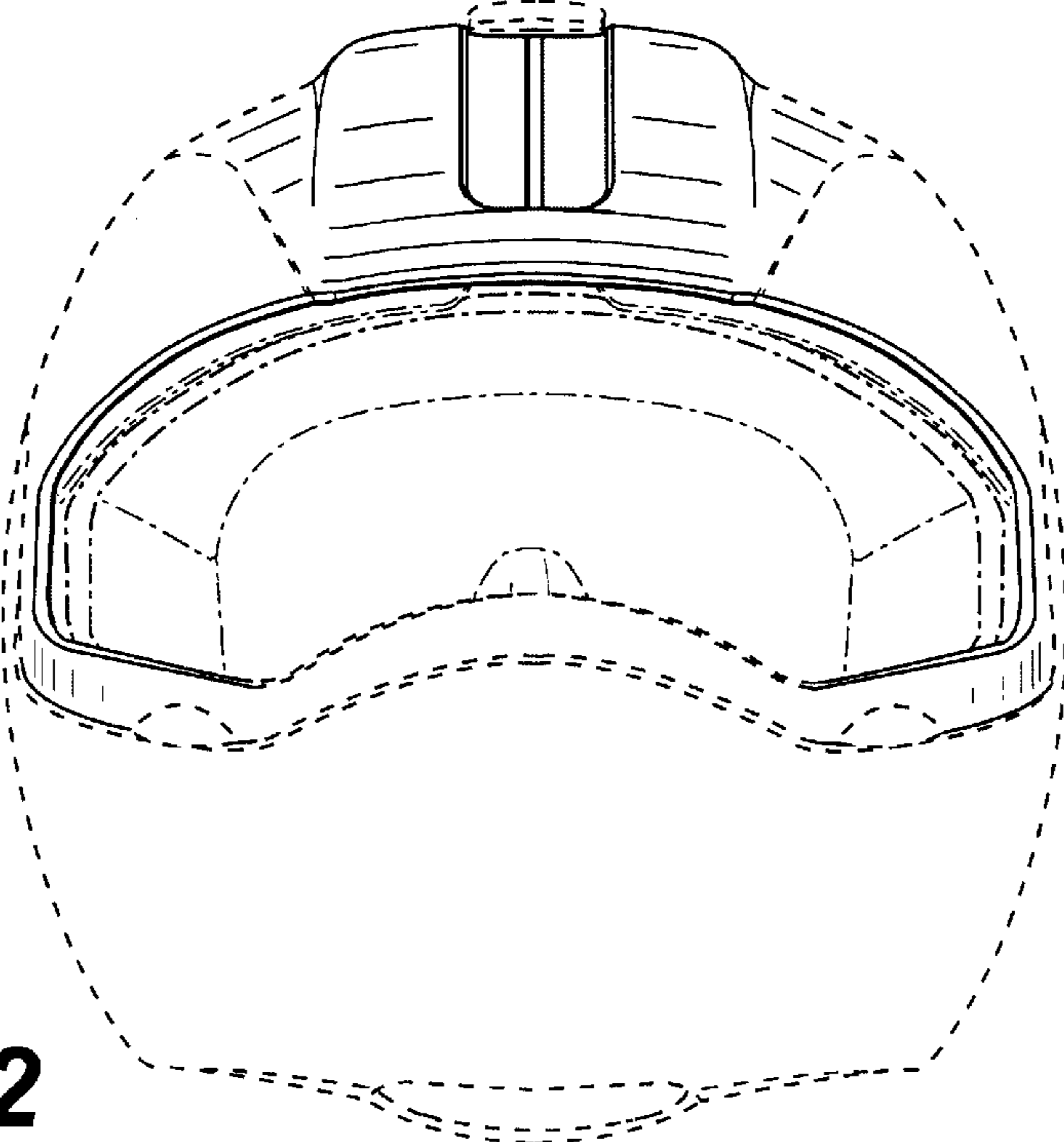


FIG. 2

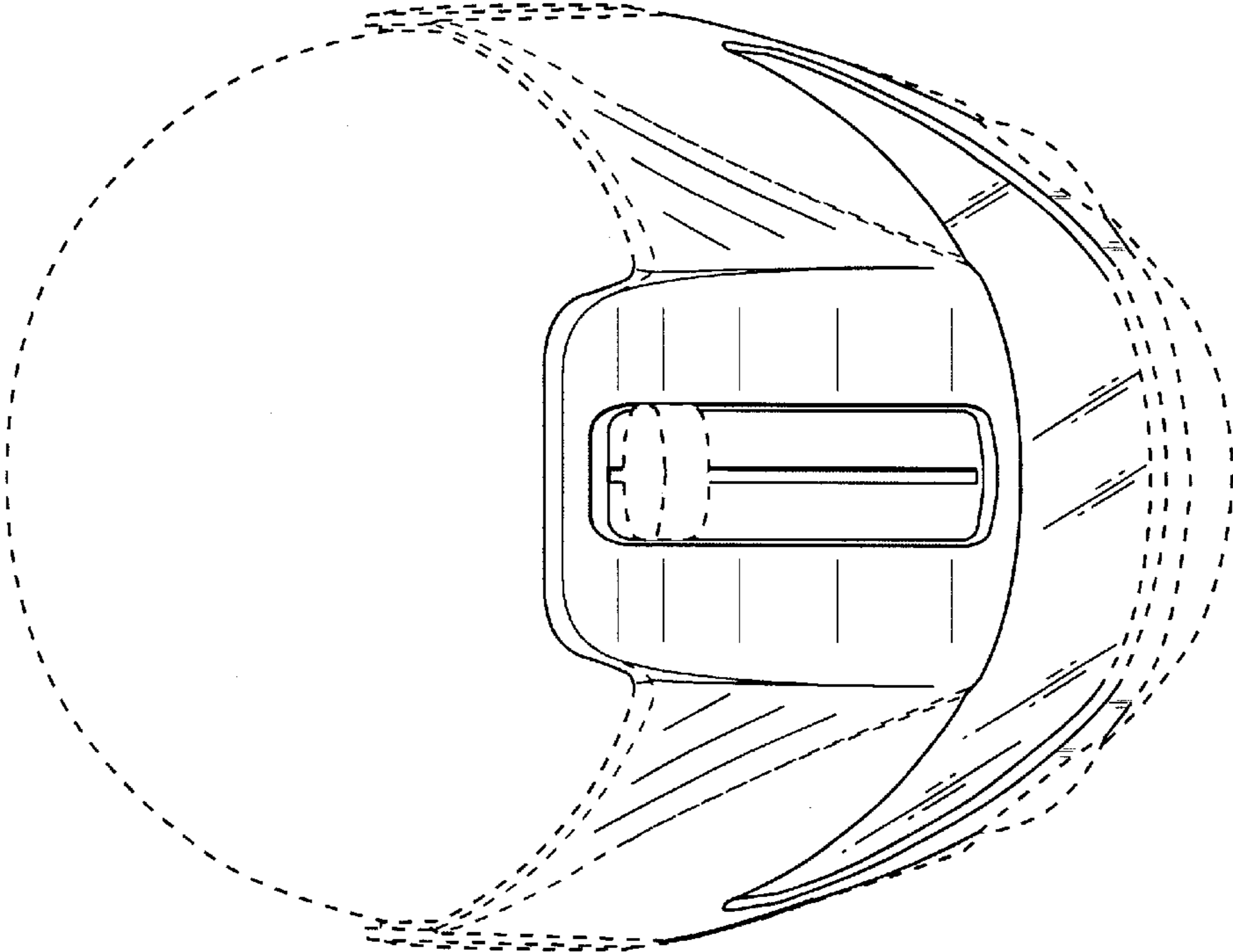


FIG. 3

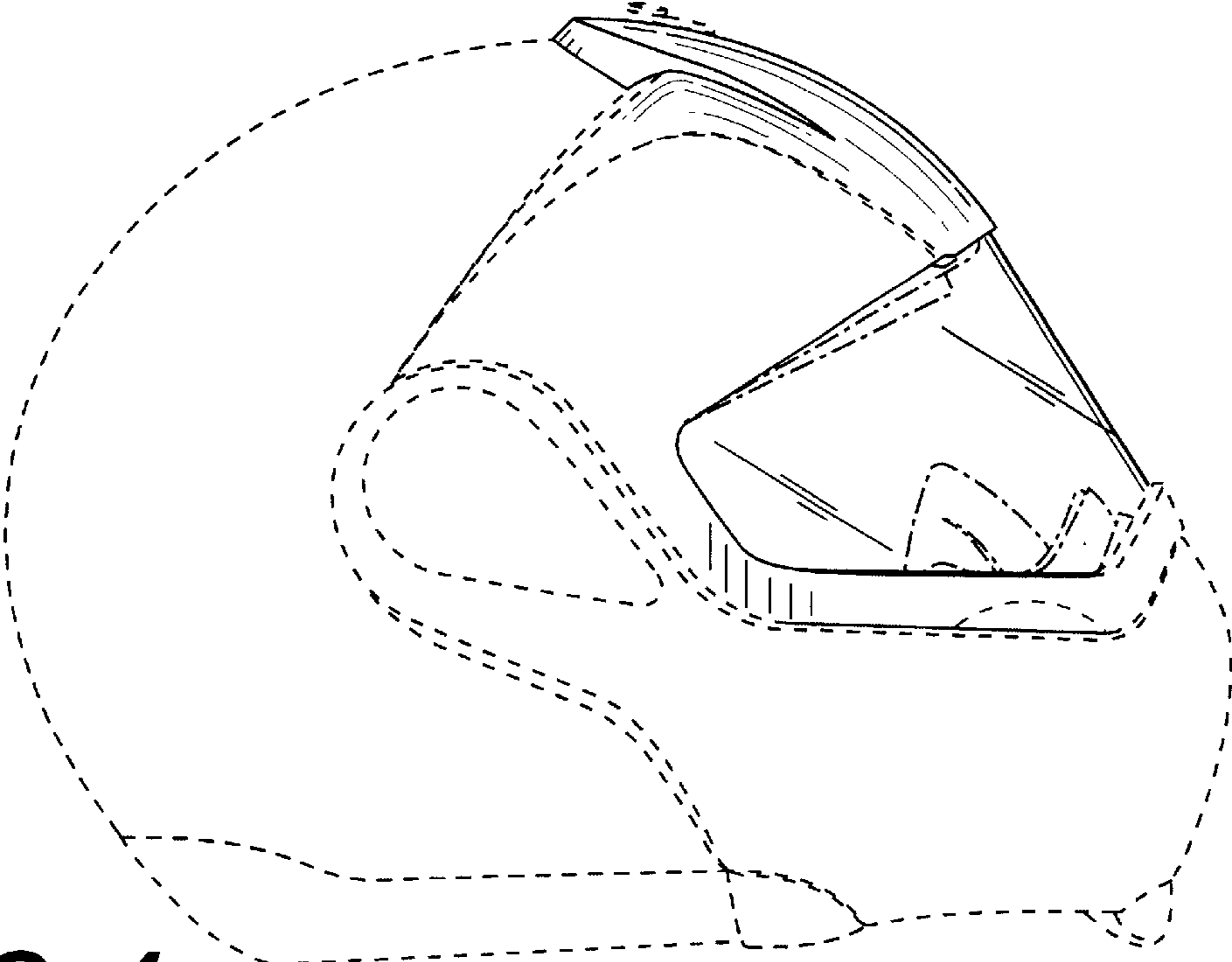


FIG. 4

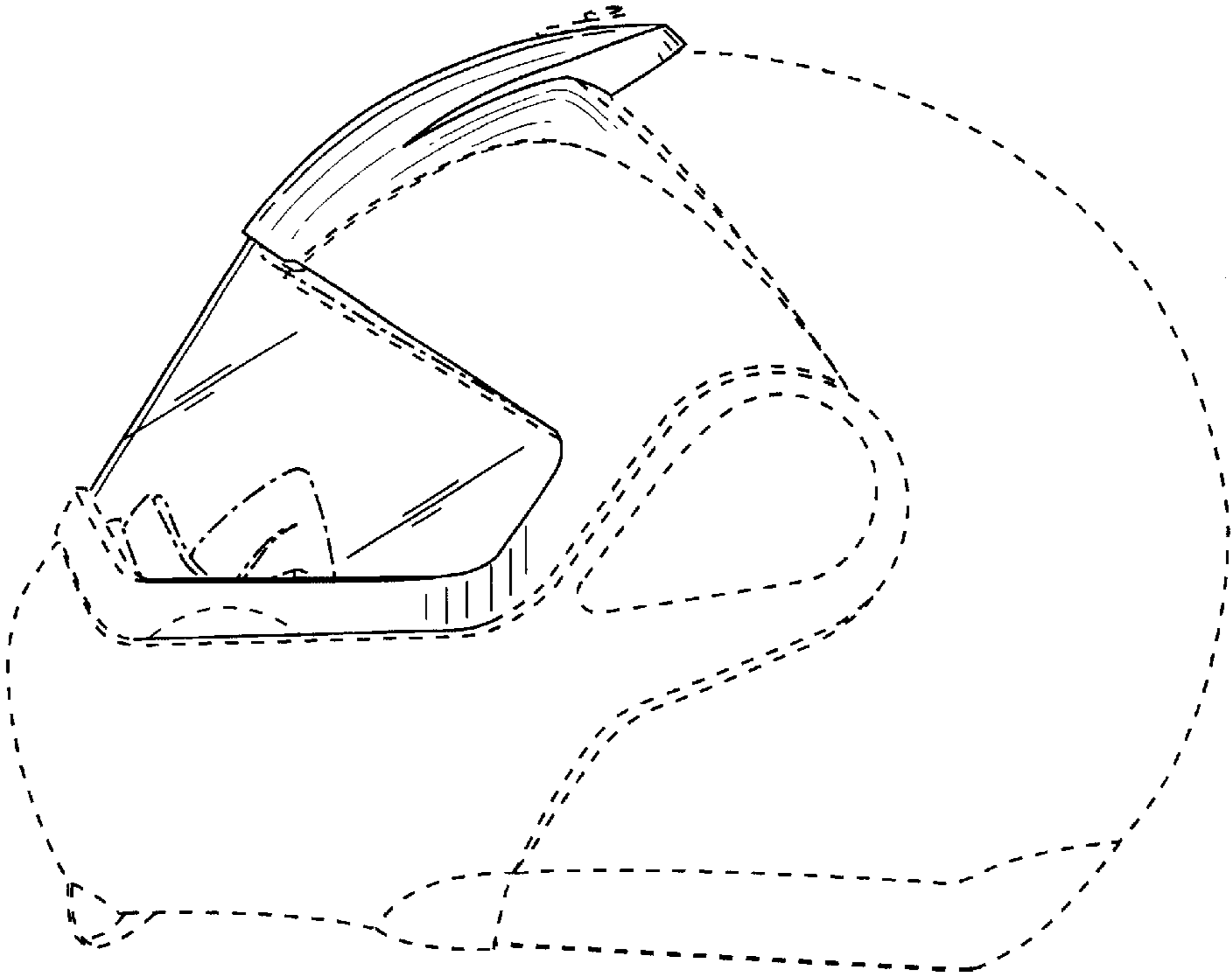


FIG. 5

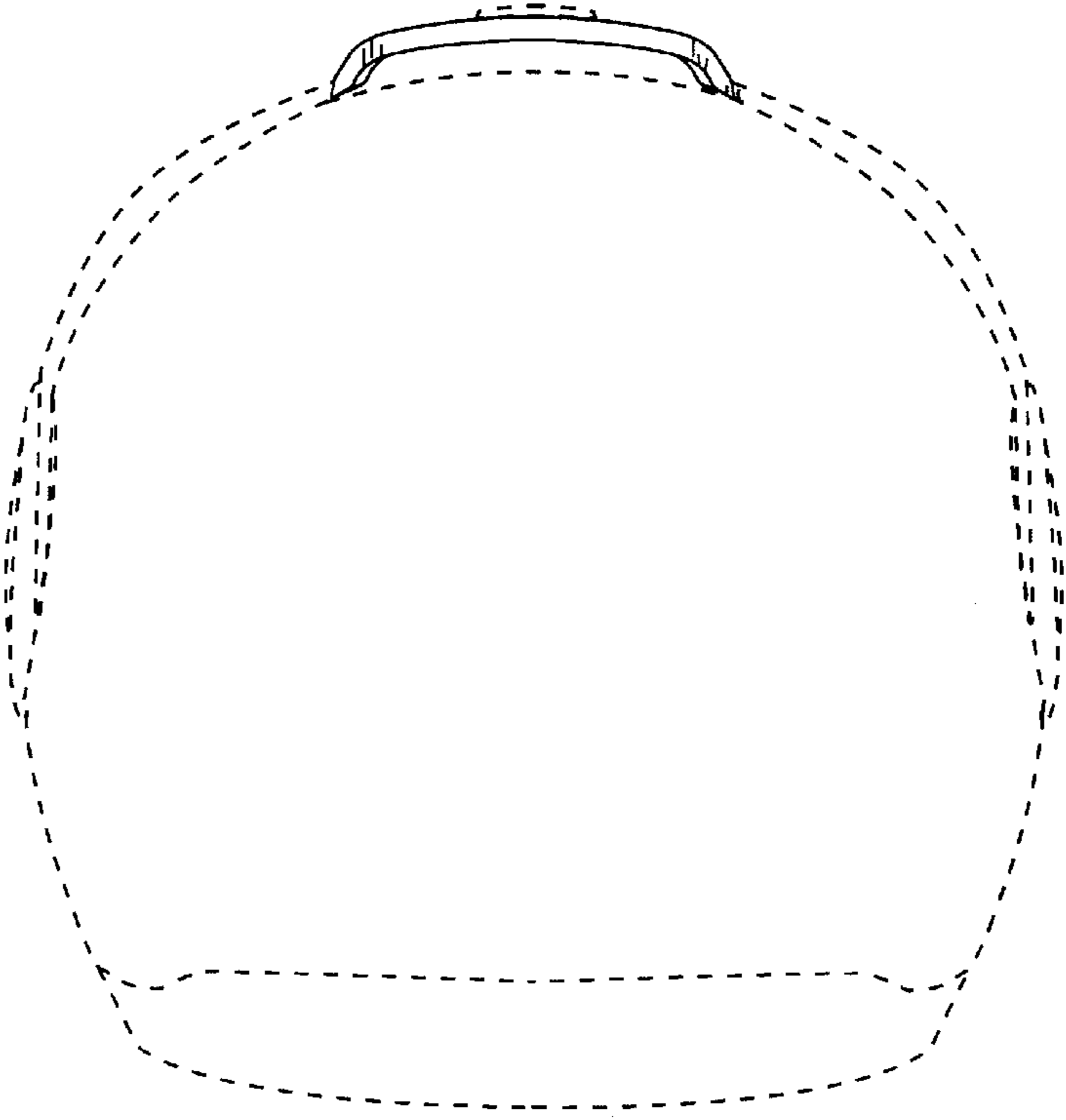


FIG. 6

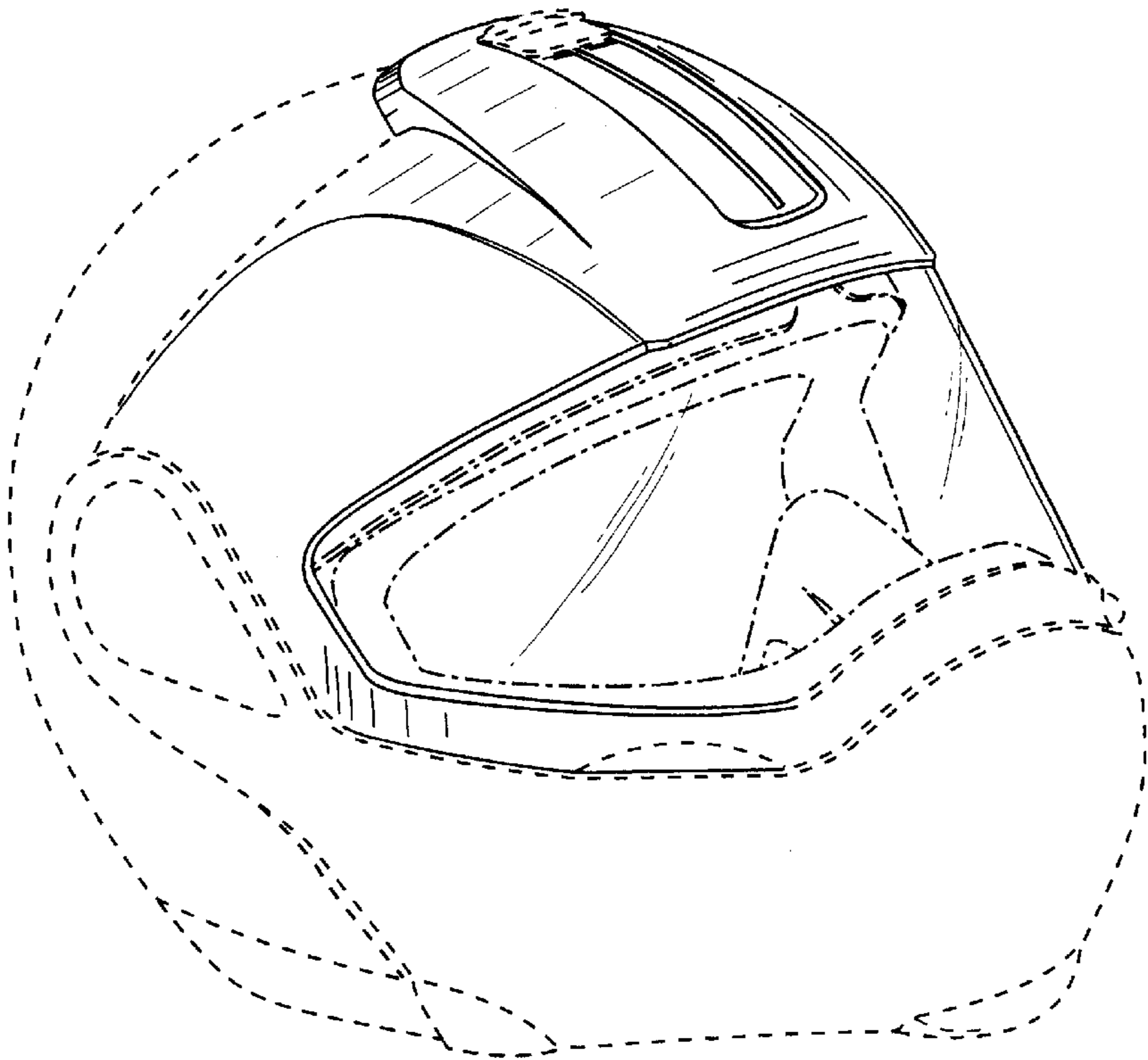


FIG. 7

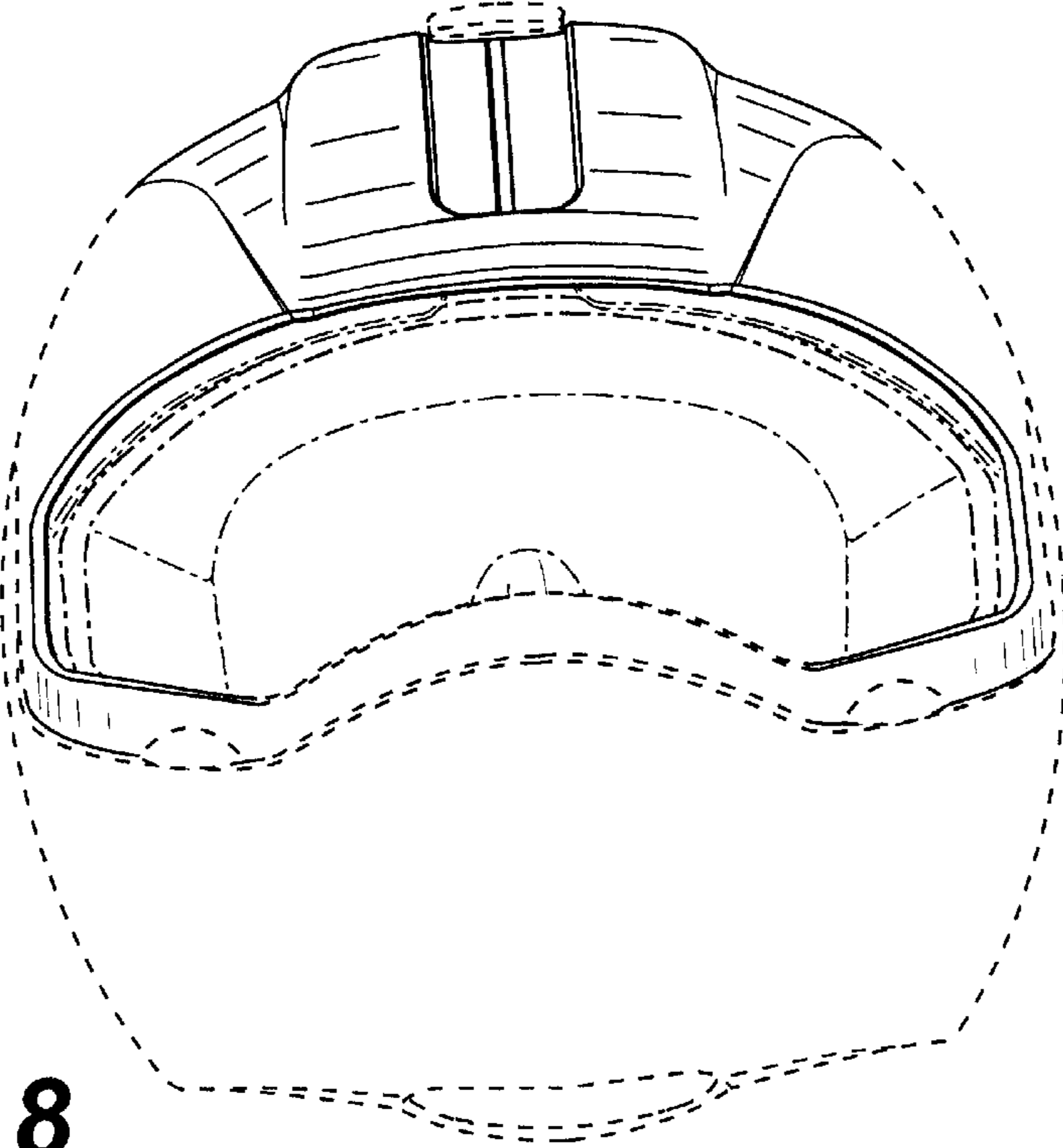


FIG. 8

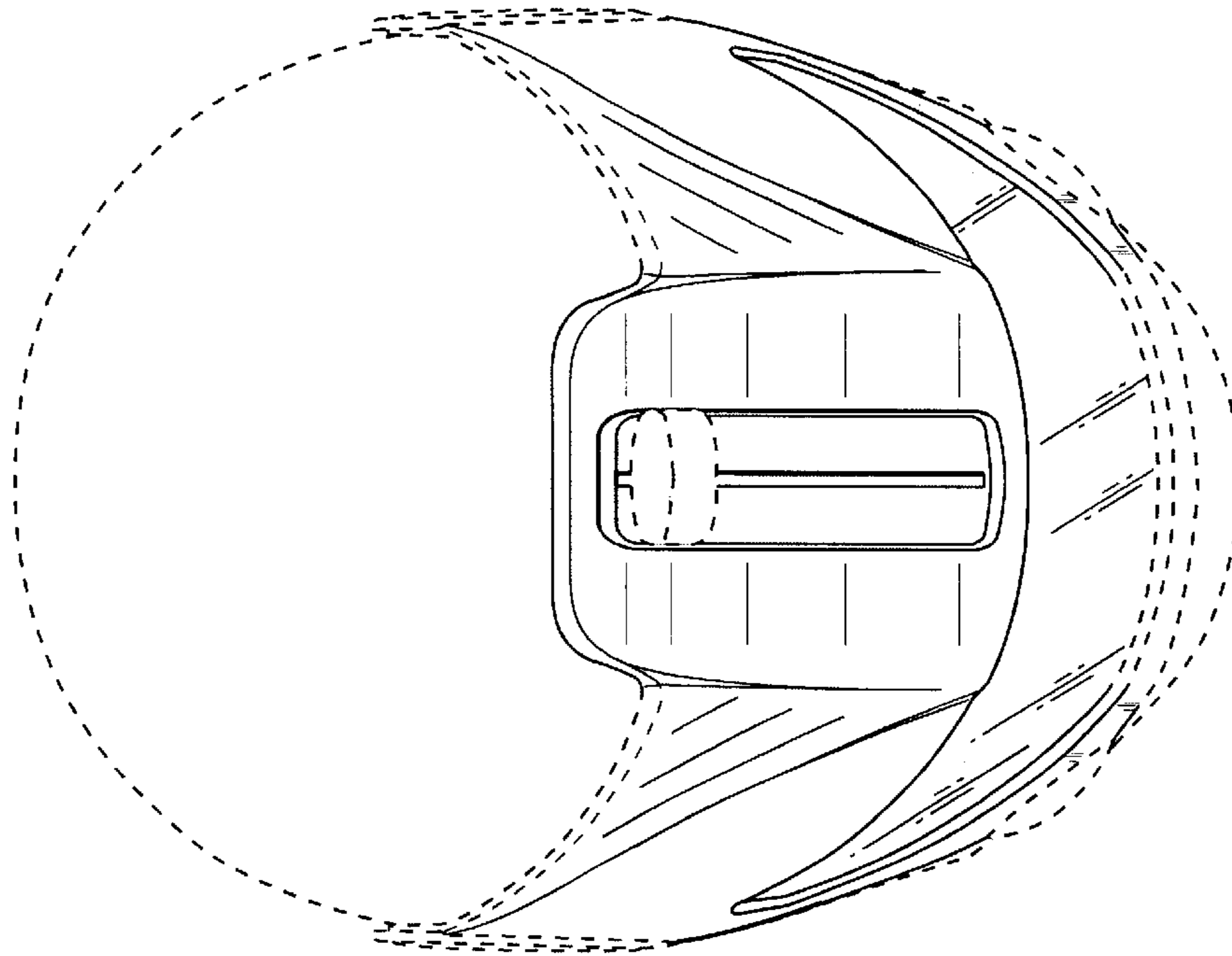


FIG. 9

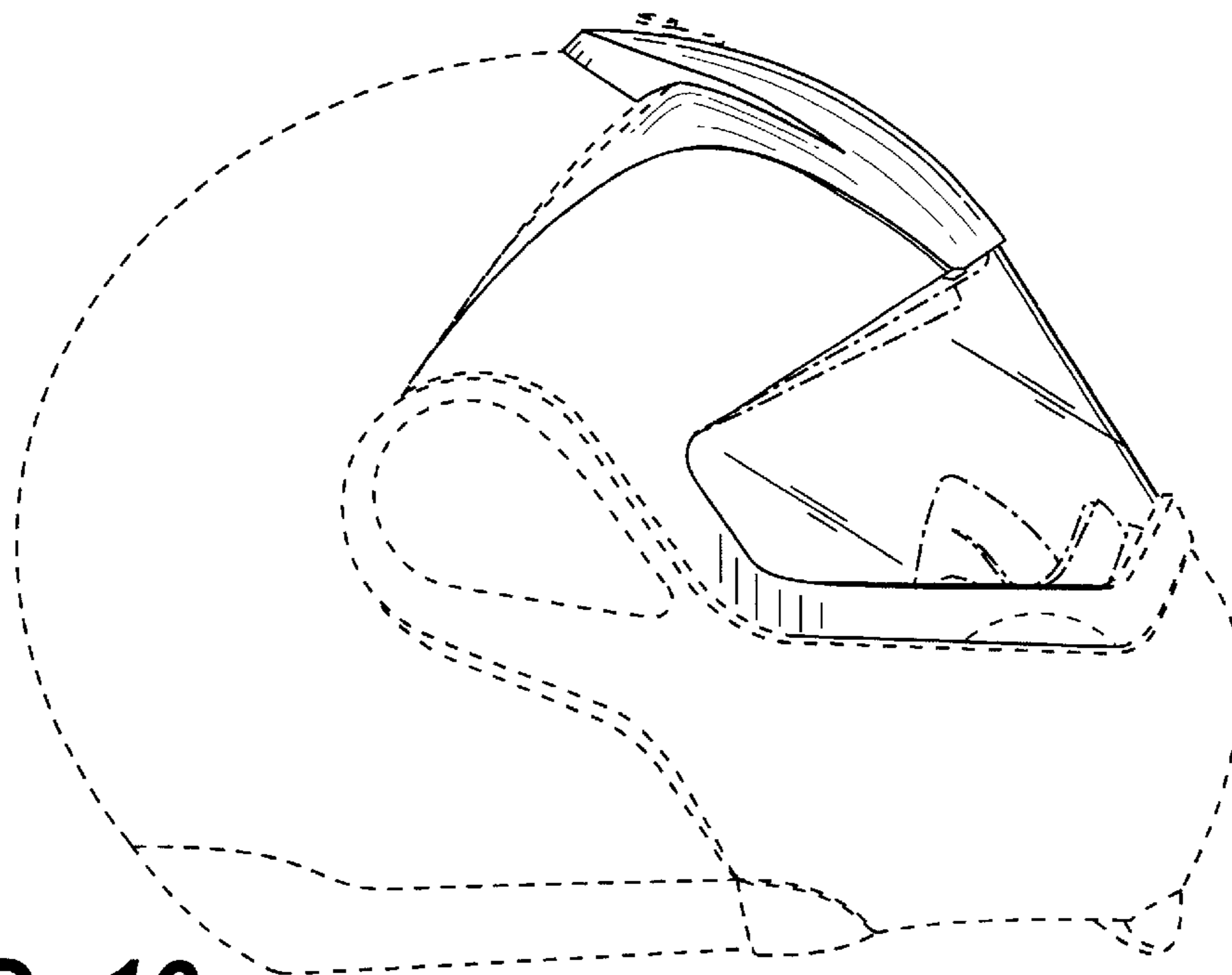


FIG. 10

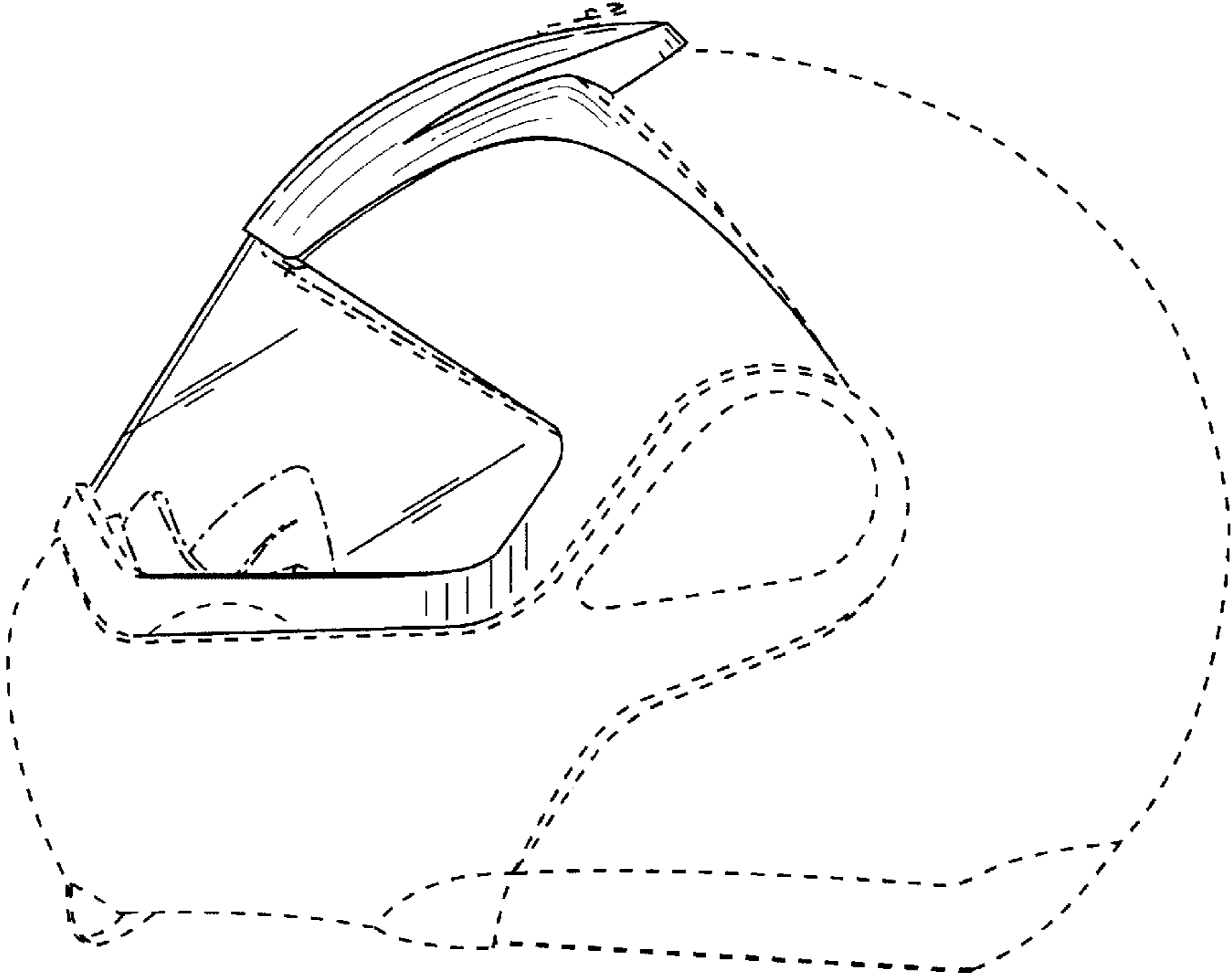


FIG. 11

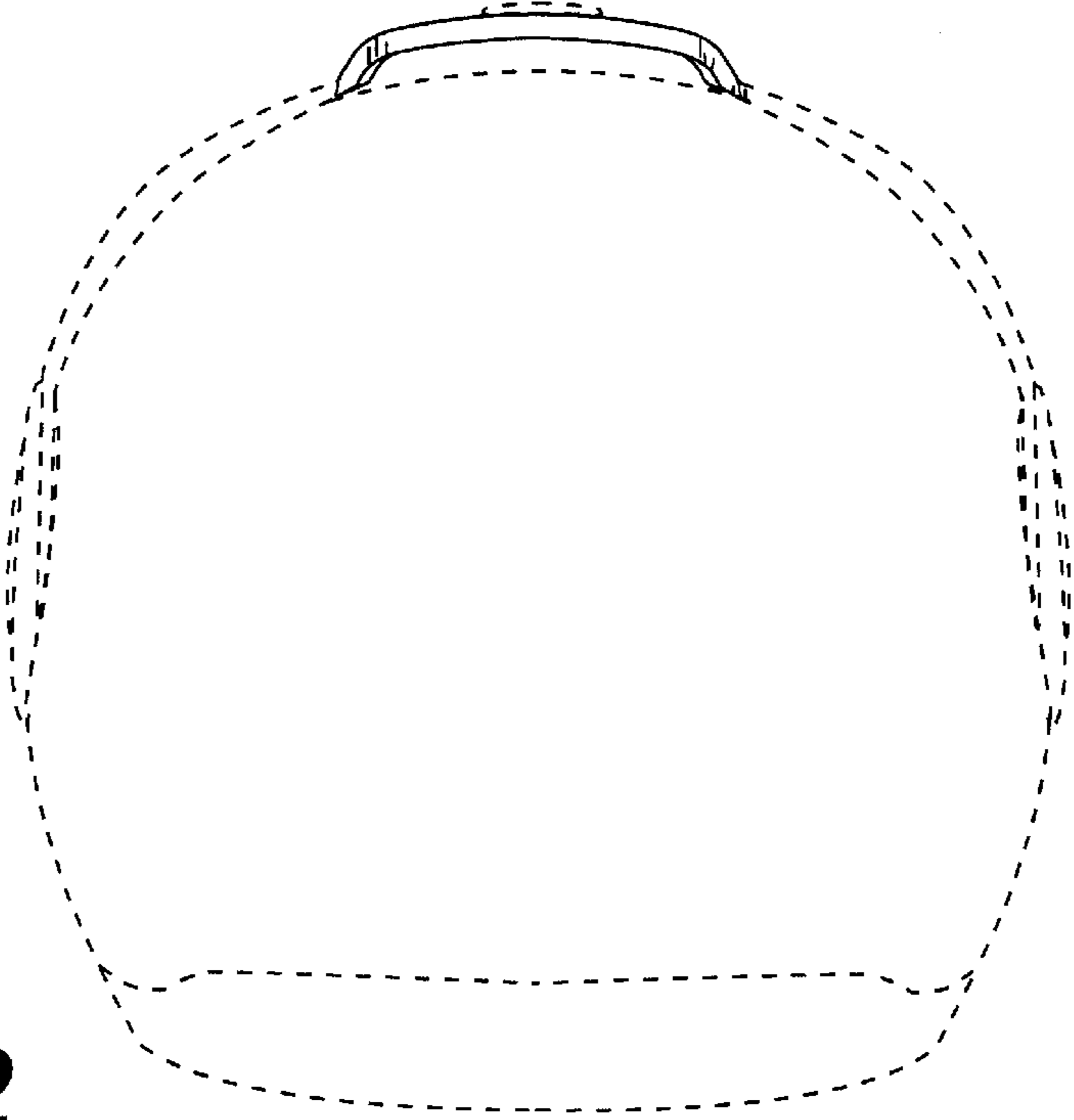


FIG. 12