



US00D517245S

(12) **United States Design Patent**  
**Ditrichstein et al.**

(10) **Patent No.:** **US D517,245 S**  
(45) **Date of Patent:** **\*\* Mar. 14, 2006**

(54) **MAKEUP COMPACT**

(75) Inventors: **Vincent Ditrichstein**, Paris (FR); **Jean Grisoni**, Paris (FR)

(73) Assignee: **E-L Management Corp.**, New York, NY (US)

(\*\*) Term: **14 Years**

(21) Appl. No.: **29/206,026**

(22) Filed: **May 25, 2004**

(51) **LOC (8) Cl.** ..... **28-03**

(52) **U.S. Cl.** ..... **D28/83**

(58) **Field of Classification Search** ..... D28/76,  
D28/77, 78, 81, 83; 132/293-307; 206/581,  
206/823

See application file for complete search history.

(56) **References Cited**

**U.S. PATENT DOCUMENTS**

- D338,279 S \* 8/1993 Davis ..... D28/83
- D424,245 S \* 5/2000 Stoecker ..... D28/78
- D429,850 S \* 8/2000 Wilson et al. .... D28/78
- D433,539 S \* 11/2000 Gavin ..... D28/78
- 2002/0162567 A1 \* 11/2002 Jang ..... 132/294

\* cited by examiner

*Primary Examiner*—Jennifer Rivard

(74) *Attorney, Agent, or Firm*—Peter Gianacana

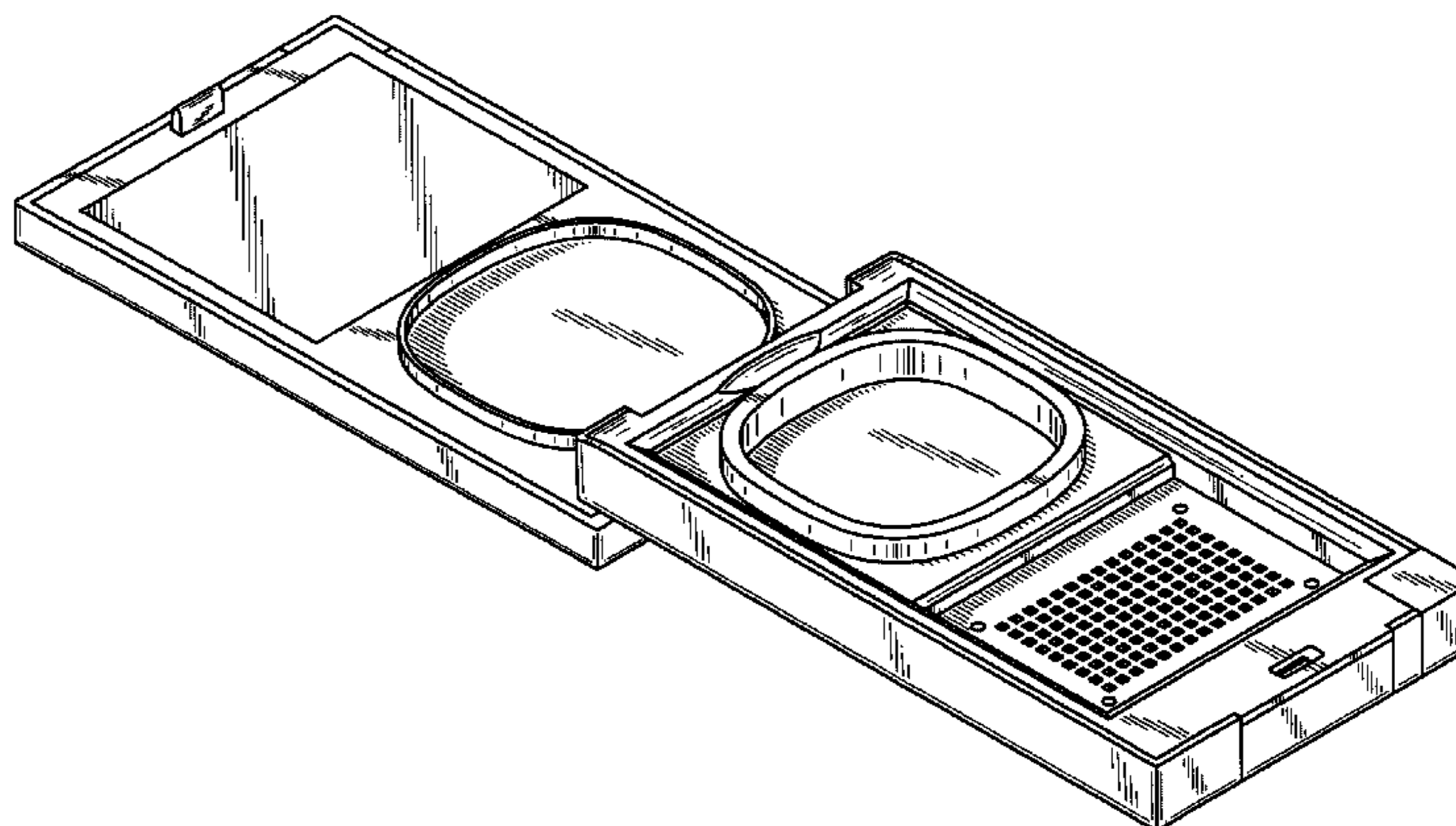
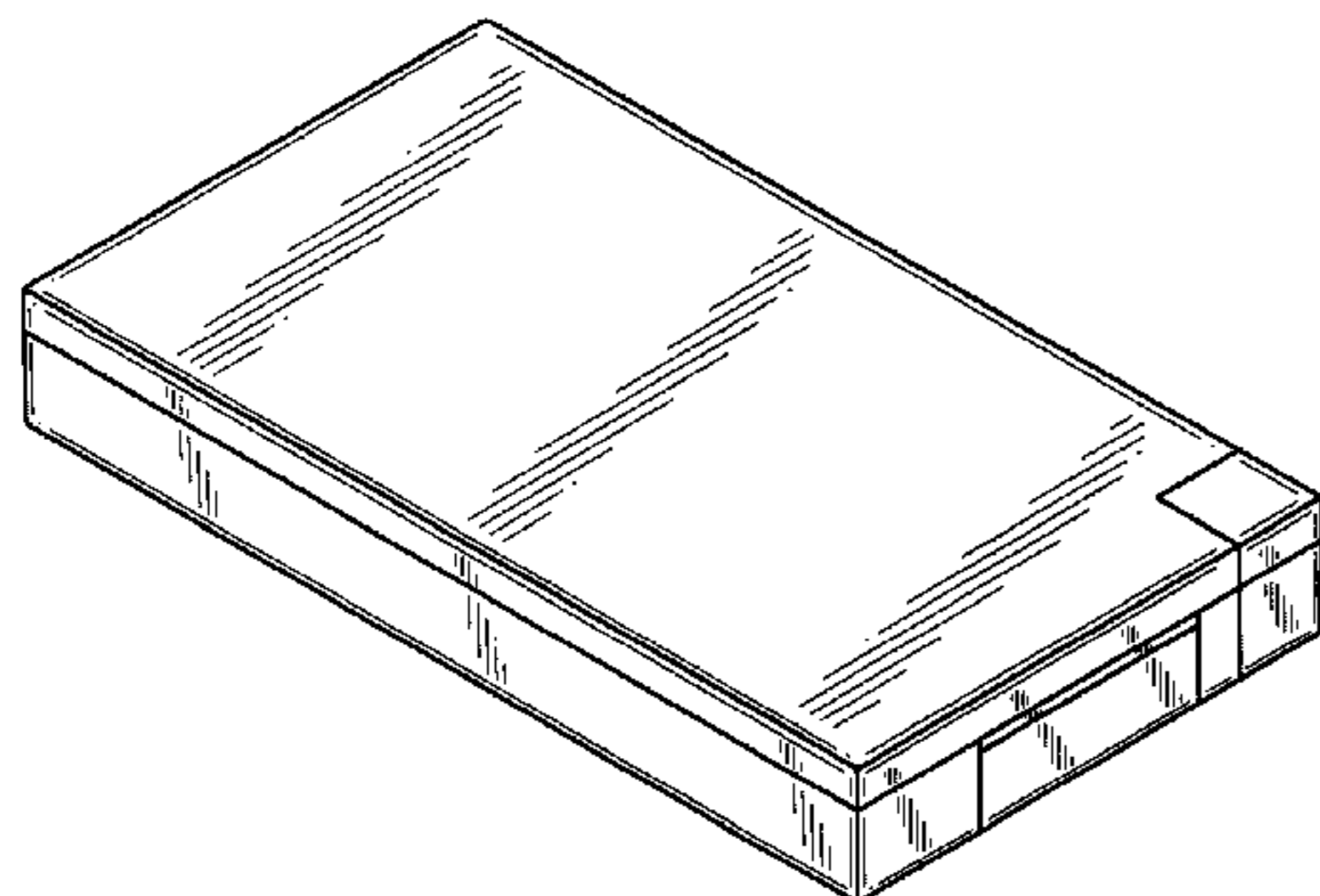
(57) **CLAIM**

The ornamental design for a makeup compact, as shown.

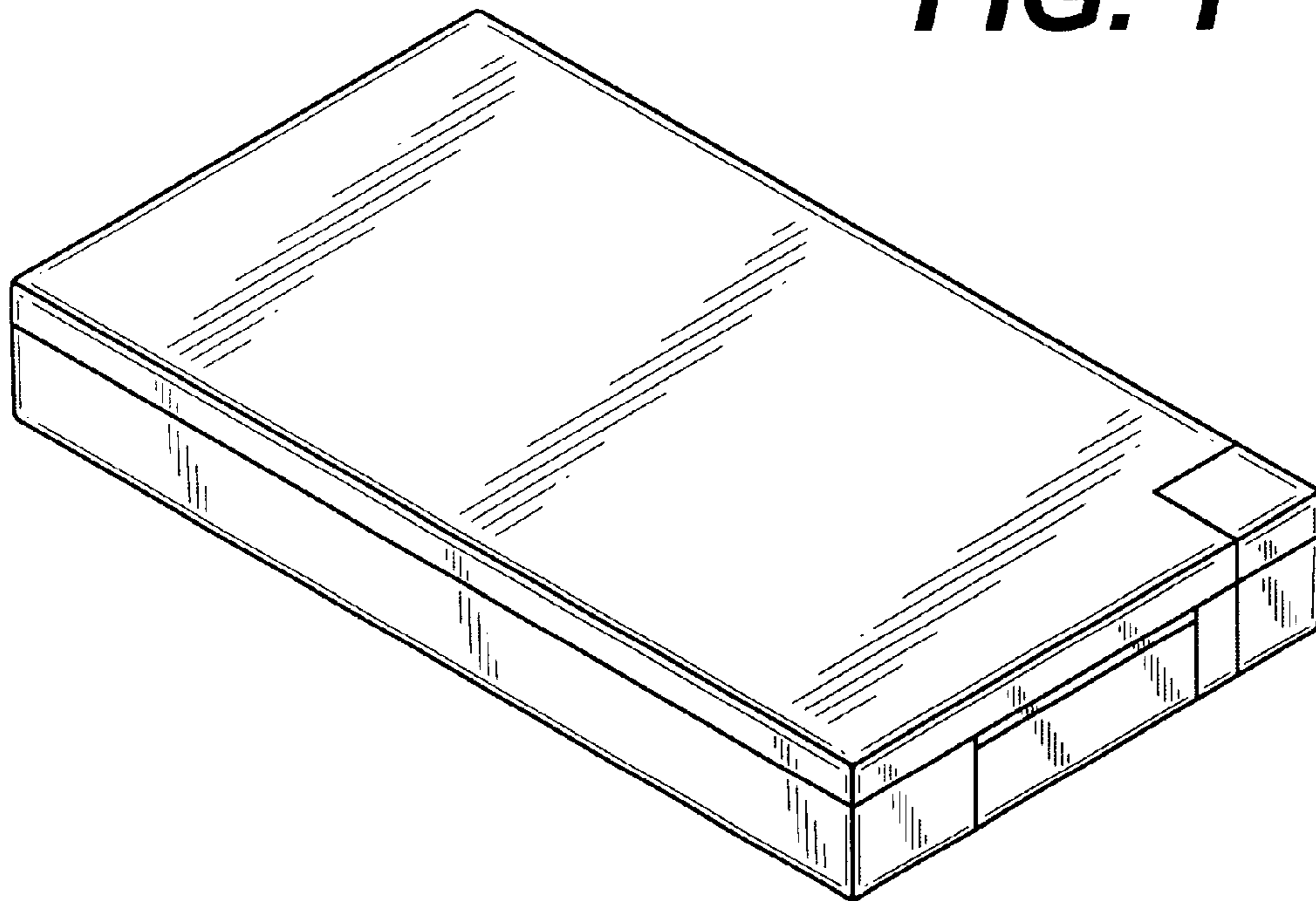
**DESCRIPTION**

FIG. 1 is a top, front and left side perspective view of my new design for a makeup compact;  
 FIG. 2 is a top plan view thereof;  
 FIG. 3 is a right side view thereof;  
 FIG. 4 is a bottom plan view thereof;  
 FIG. 5 is a left side view thereof;  
 FIG. 6 is a front elevation view thereof;  
 FIG. 7 is a rear elevation view thereof;  
 FIG. 8 is a front and left side perspective view of the makeup compact in the opened position.  
 FIG. 9 is a top plan view thereof;  
 FIG. 10 is a right side view thereof;  
 FIG. 11 a bottom plan view thereof;  
 FIG. 12 is a left side view thereof;  
 FIG. 13 is a front elevation view thereof; and,  
 FIG. 14 is a rear elevation view thereof.

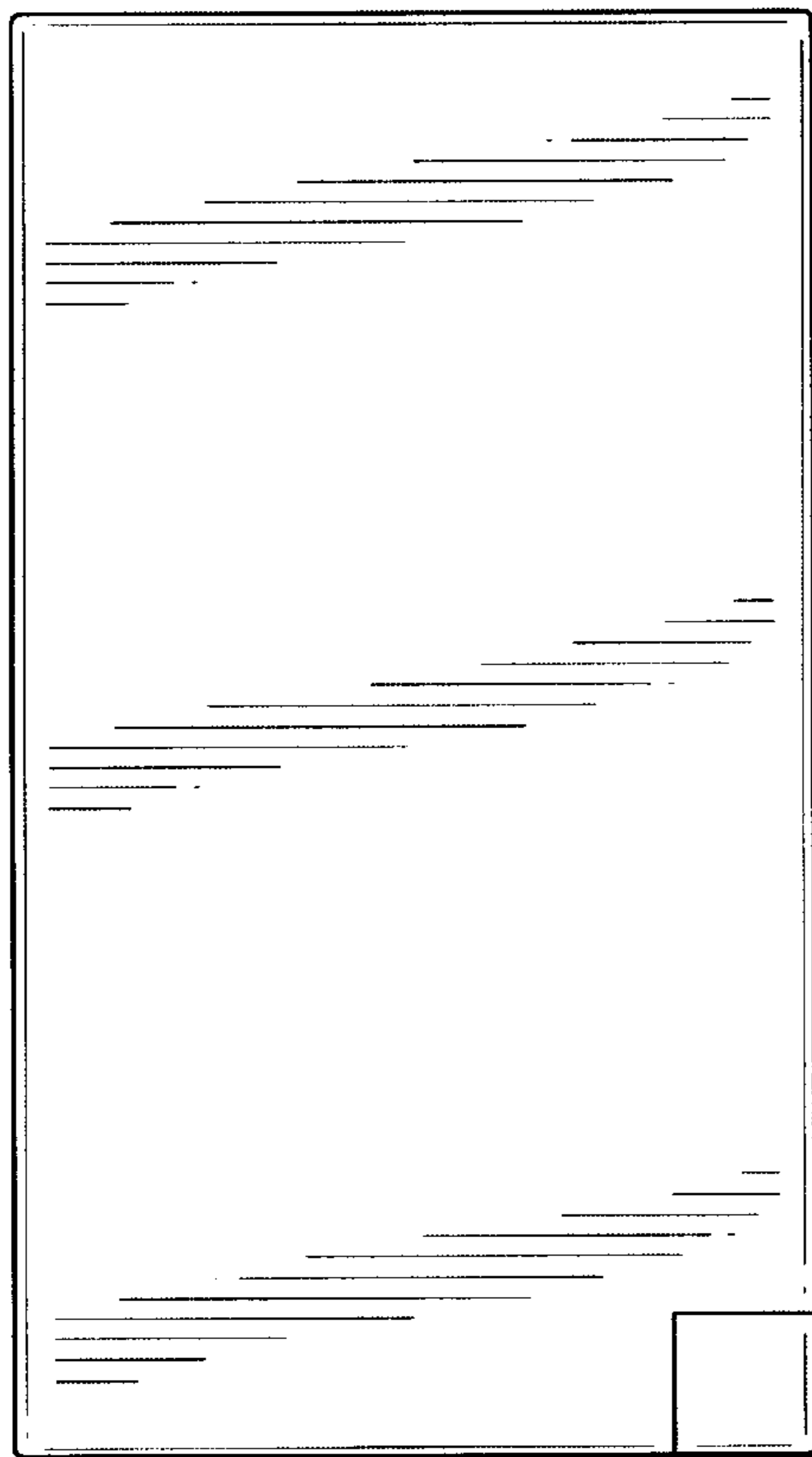
**1 Claim, 8 Drawing Sheets**



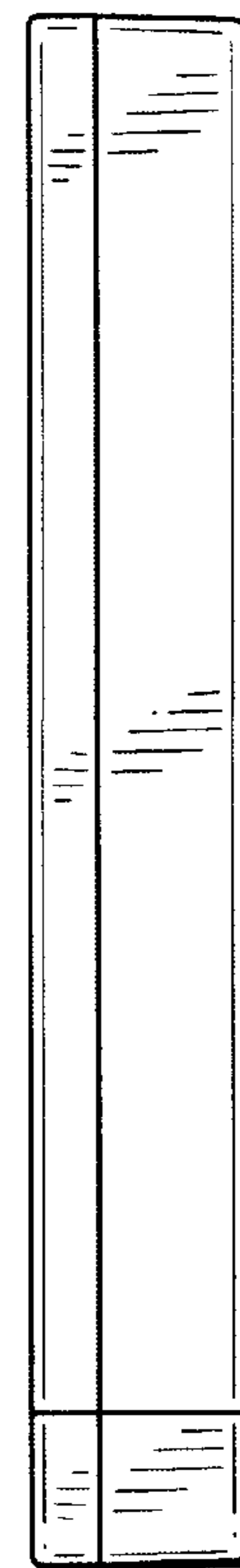
**FIG. 1**



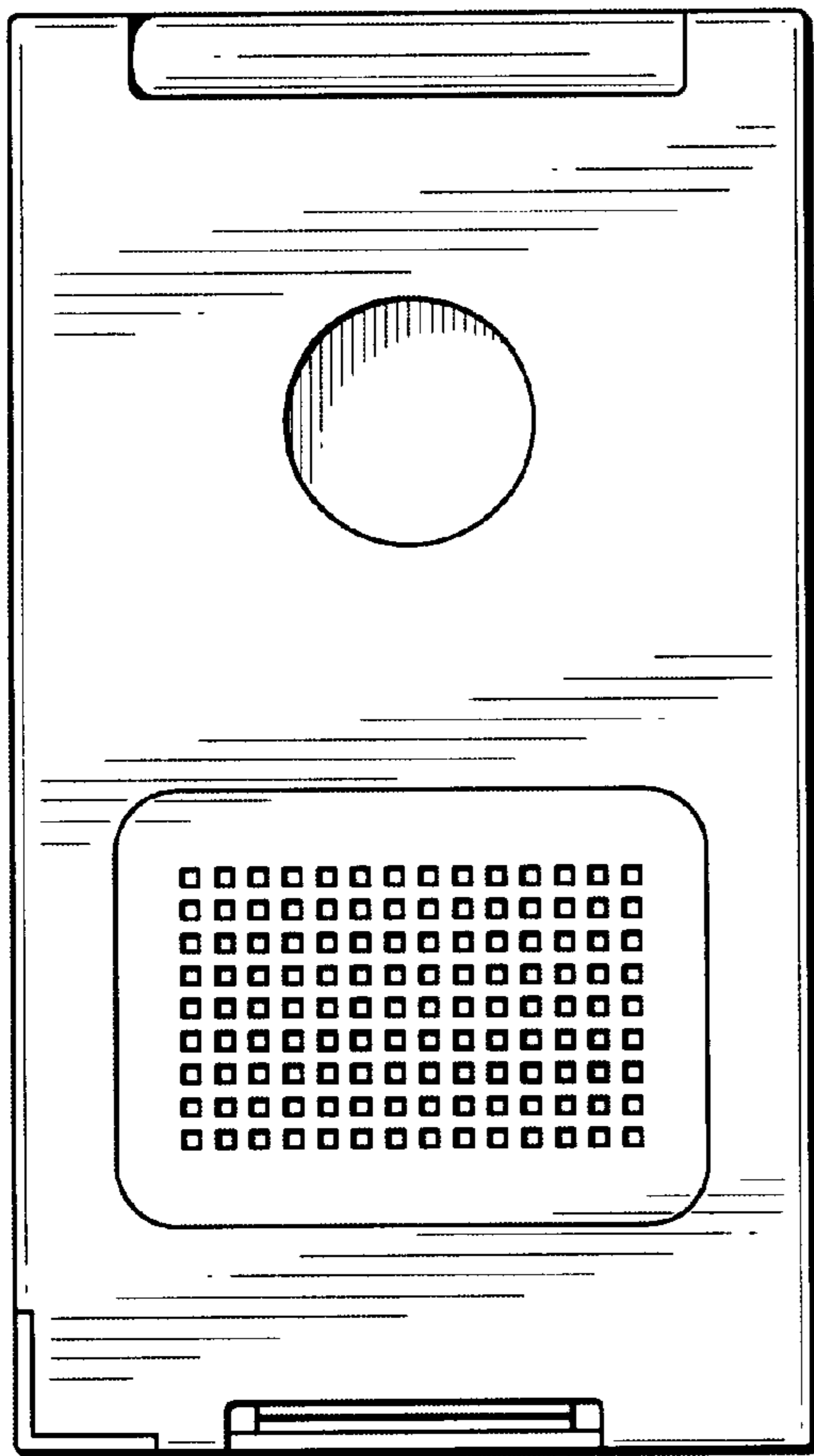
**FIG. 2**



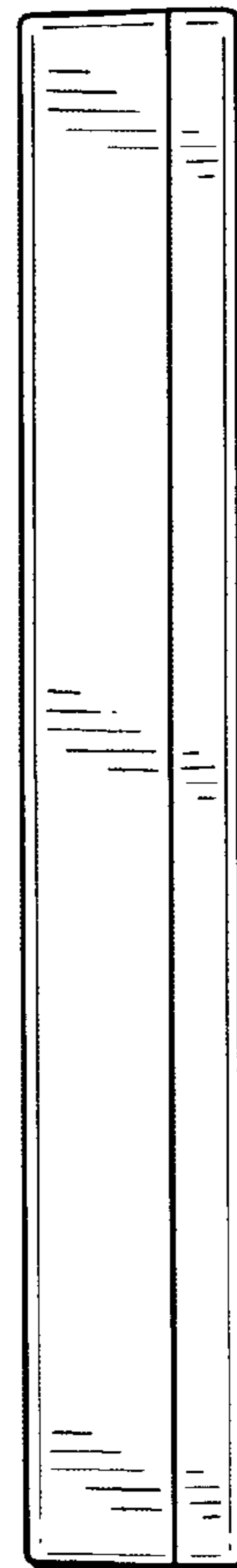
**FIG. 3**



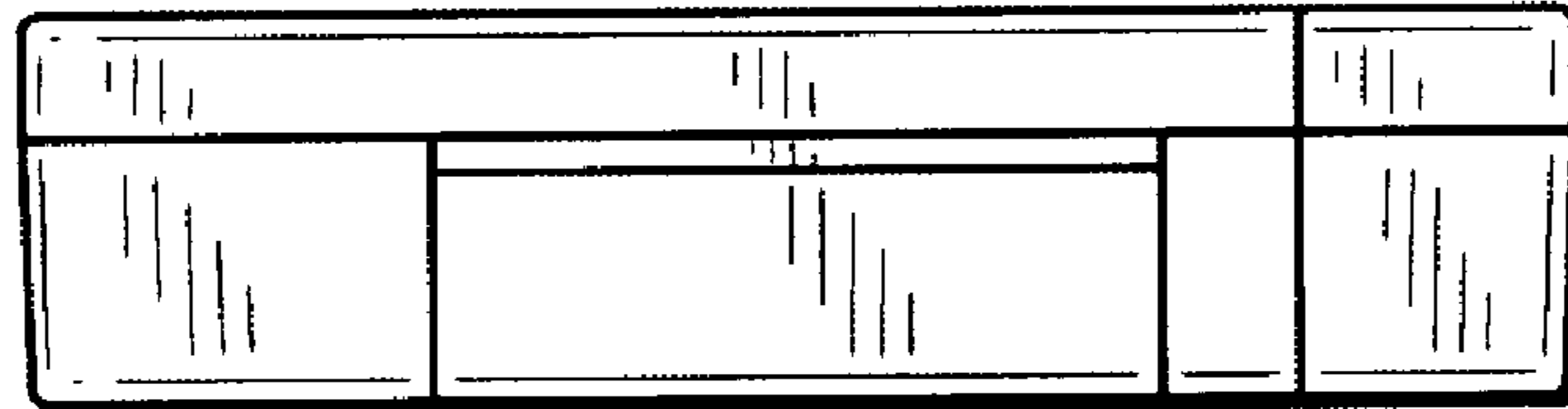
**FIG. 4**



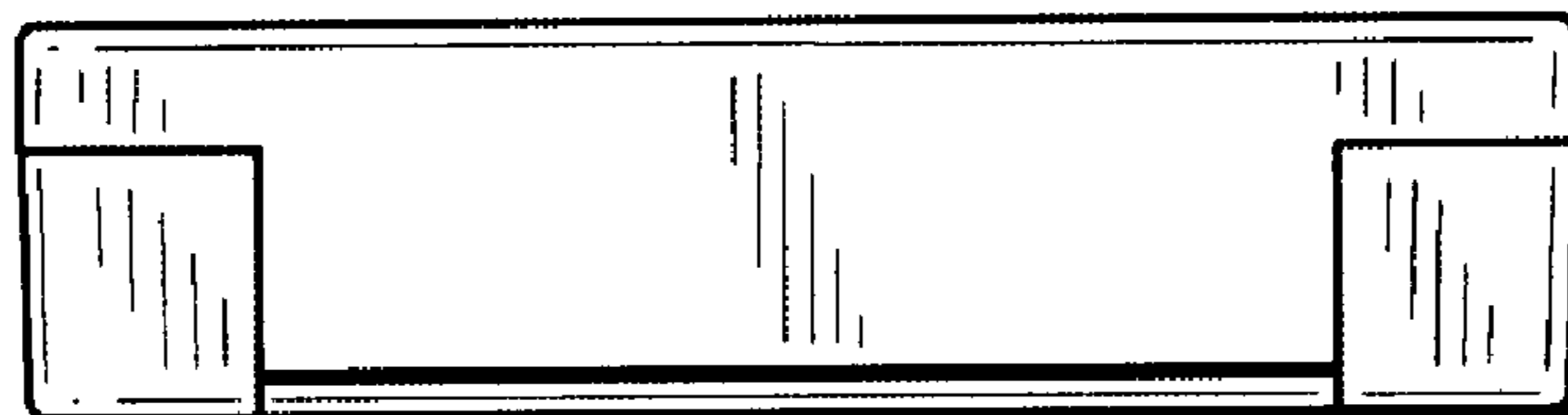
**FIG. 5**



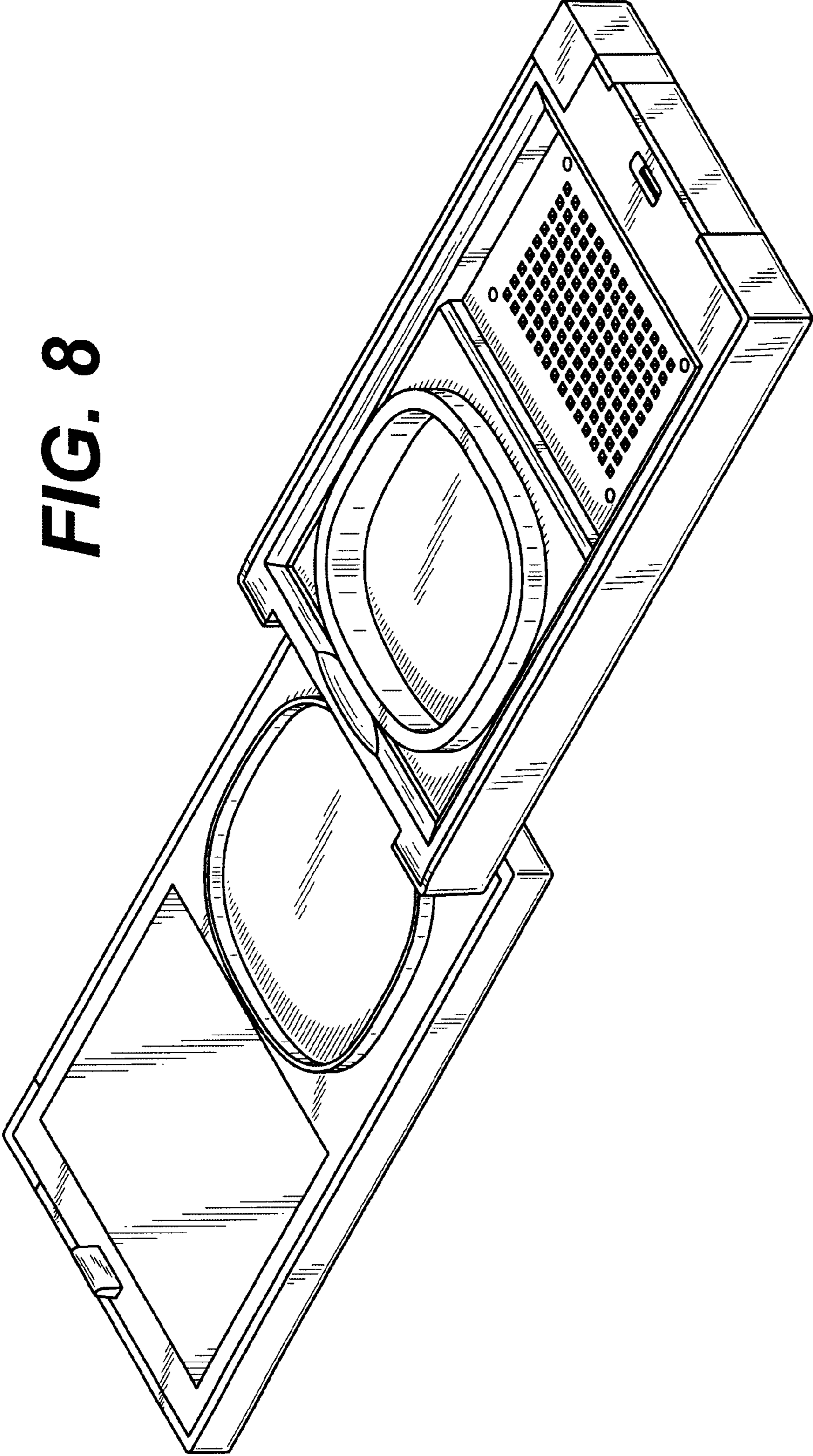
***FIG. 6***



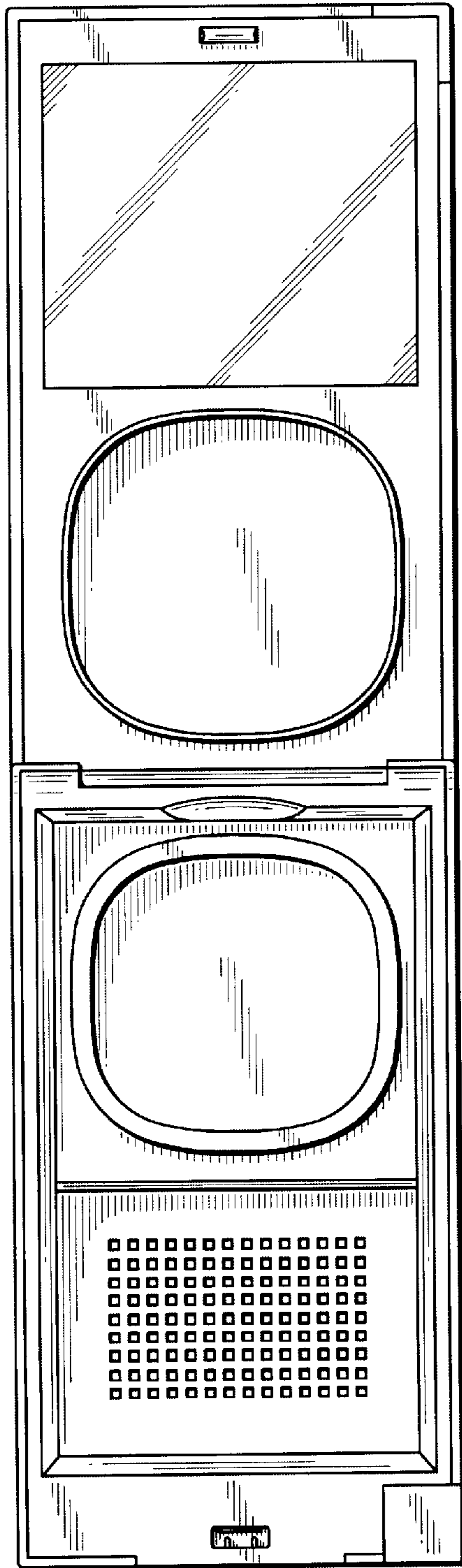
***FIG. 7***



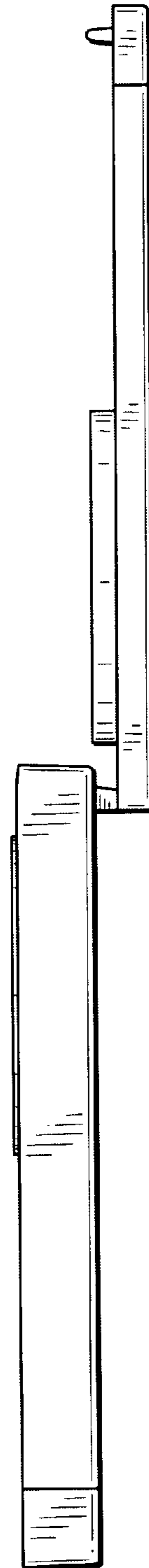
**FIG. 8**



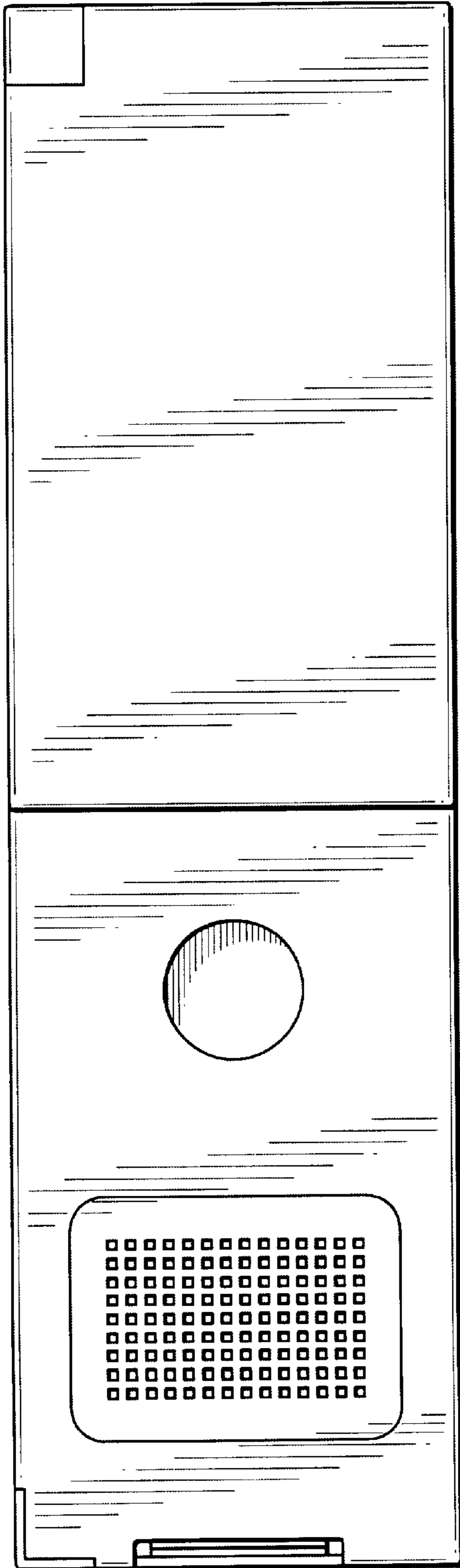
**FIG. 9**



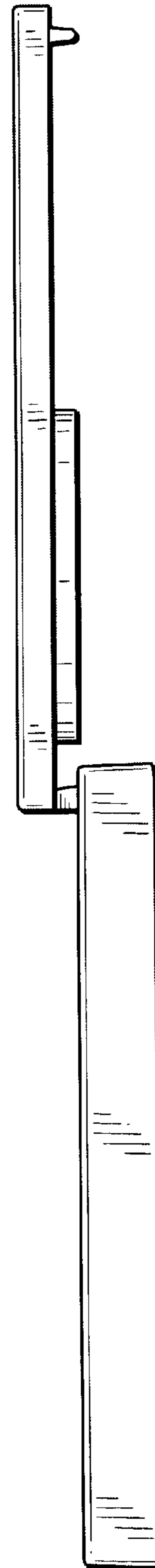
**FIG. 10**



**FIG. 11**

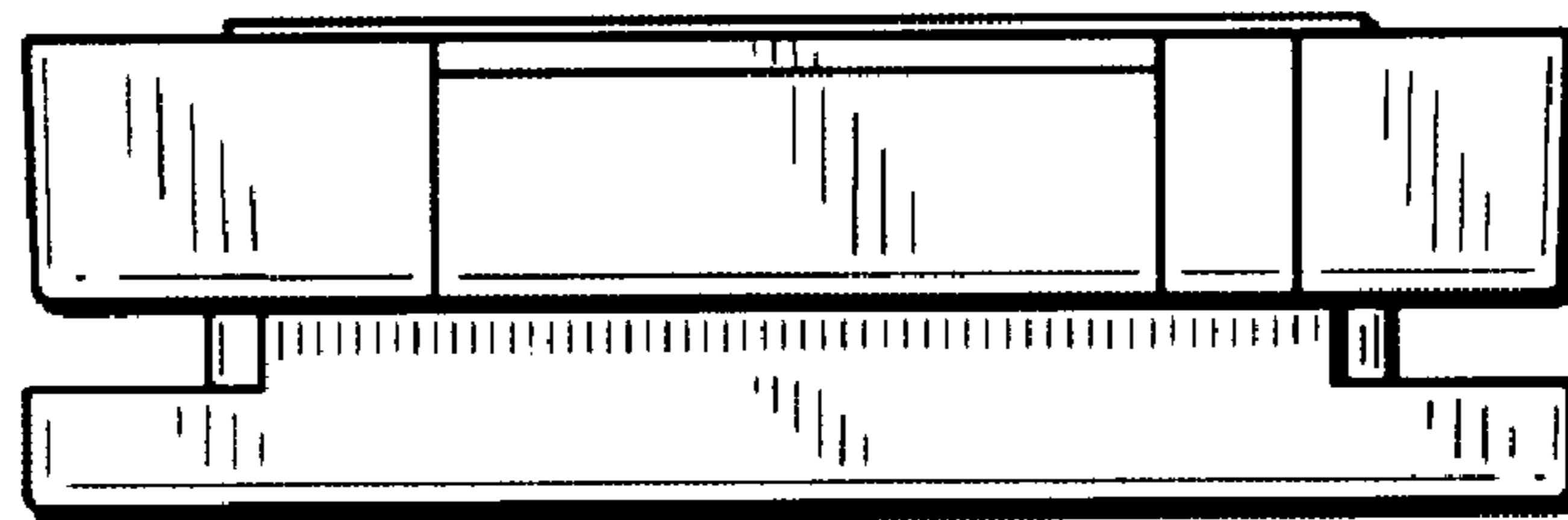


**FIG. 12**

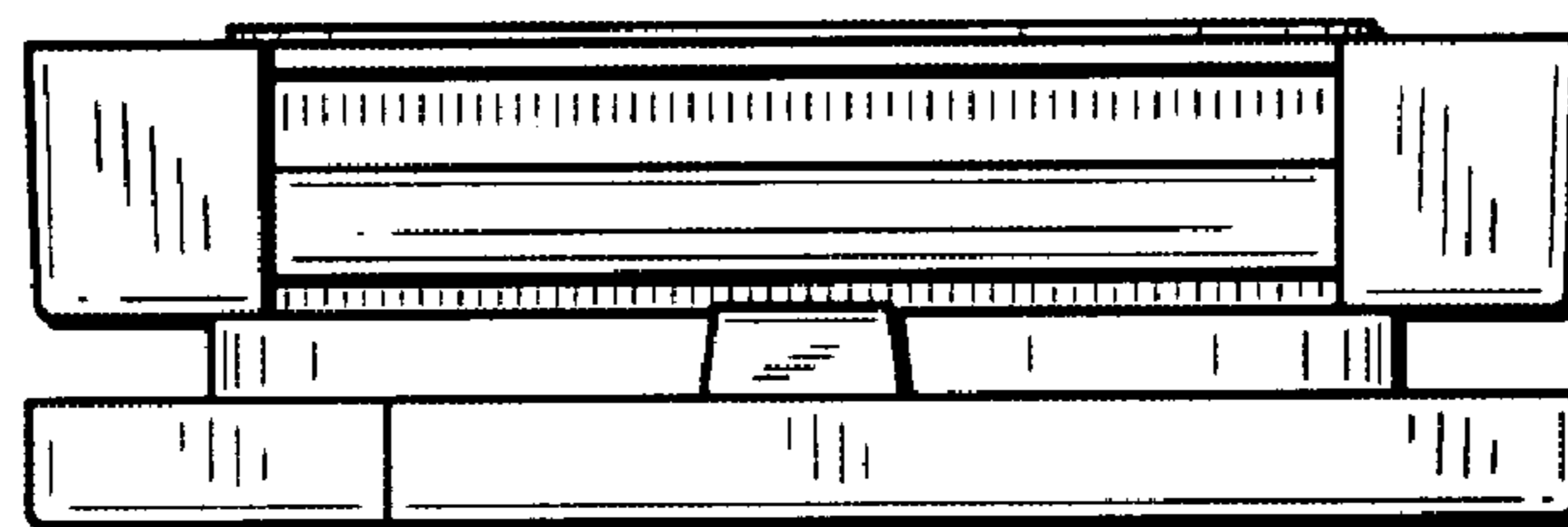




***FIG. 13***



***FIG. 14***



UNITED STATES PATENT AND TRADEMARK OFFICE  
**CERTIFICATE OF CORRECTION**

PATENT NO. : Des. 517,245 S  
DATED : March 14, 2006  
INVENTOR(S) : Ditrichstein and Grisoni

Page 1 of 1

It is certified that error appears in the above-identified patent and that said Letters Patent is hereby corrected as shown below:

Title page.

Item [54], Title, "MAKEUP" should be -- **COSMETIC** --.

Item [57], **DESCRIPTION**,

Figure 8, "makeup" should be -- cosmetic --.

Signed and Sealed this

Thirtieth Day of May, 2006

A handwritten signature in black ink on a light gray dotted background. The signature reads "Jon W. Dudas" in a cursive style.

JON W. DUDAS

*Director of the United States Patent and Trademark Office*