



US00D517244S

(12) **United States Design Patent**
Ditrichstein et al.

(10) **Patent No.:** **US D517,244 S**
(45) **Date of Patent:** **** Mar. 14, 2006**

(54) **COSMETIC COMPACT**

(75) Inventors: **Vincent Ditrichstein**, Paris (FR); **Jean Grisoni**, Paris (FR)

(73) Assignee: **E-L Management Corp.**, New York, NY (US)

(**) Term: **14 Years**

(21) Appl. No.: **29/206,027**

(22) Filed: **May 25, 2004**

(51) **LOC (8) Cl.** **28-03**

(52) **U.S. Cl.** **D28/78**

(58) **Field of Classification Search** D28/76,
D28/77, 78, 81, 83; 132/293-307; 206/581,
206/823

See application file for complete search history.

(56) **References Cited**

U.S. PATENT DOCUMENTS

- D422,120 S * 3/2000 Orsomando D28/83
- D456,954 S * 5/2002 Restrepo D28/83
- D503,245 S * 3/2005 Vanoncini D28/78
- 2004/0200755 A1 * 10/2004 Gueret 206/581

* cited by examiner

Primary Examiner—Jennifer Rivard

(74) *Attorney, Agent, or Firm*—Peter Gianacana

(57) **CLAIM**

The ornamental design for a cosmetic compact, as shown.

DESCRIPTION

FIG. 1 is a top, front and left side perspective view of my new design for a cosmetic compact;
 FIG. 2 is a top plan view thereof;
 FIG. 3 is a right side view thereof;
 FIG. 4 is a bottom plan view thereof;
 FIG. 5 is a left side view thereof;
 FIG. 6 is a front elevation view thereof;
 FIG. 7 is a rear elevation view thereof;
 FIG. 8 is a front and left side perspective view of the cosmetic compact in the opened position.
 FIG. 9 is a top plan view thereof;
 FIG. 10 is a right side view thereof;
 FIG. 11 is a bottom plan view thereof;
 FIG. 12 is a left side view thereof;
 FIG. 13 is a front elevation view thereof; and,
 FIG. 14 is a rear elevation view thereof.

1 Claim, 8 Drawing Sheets

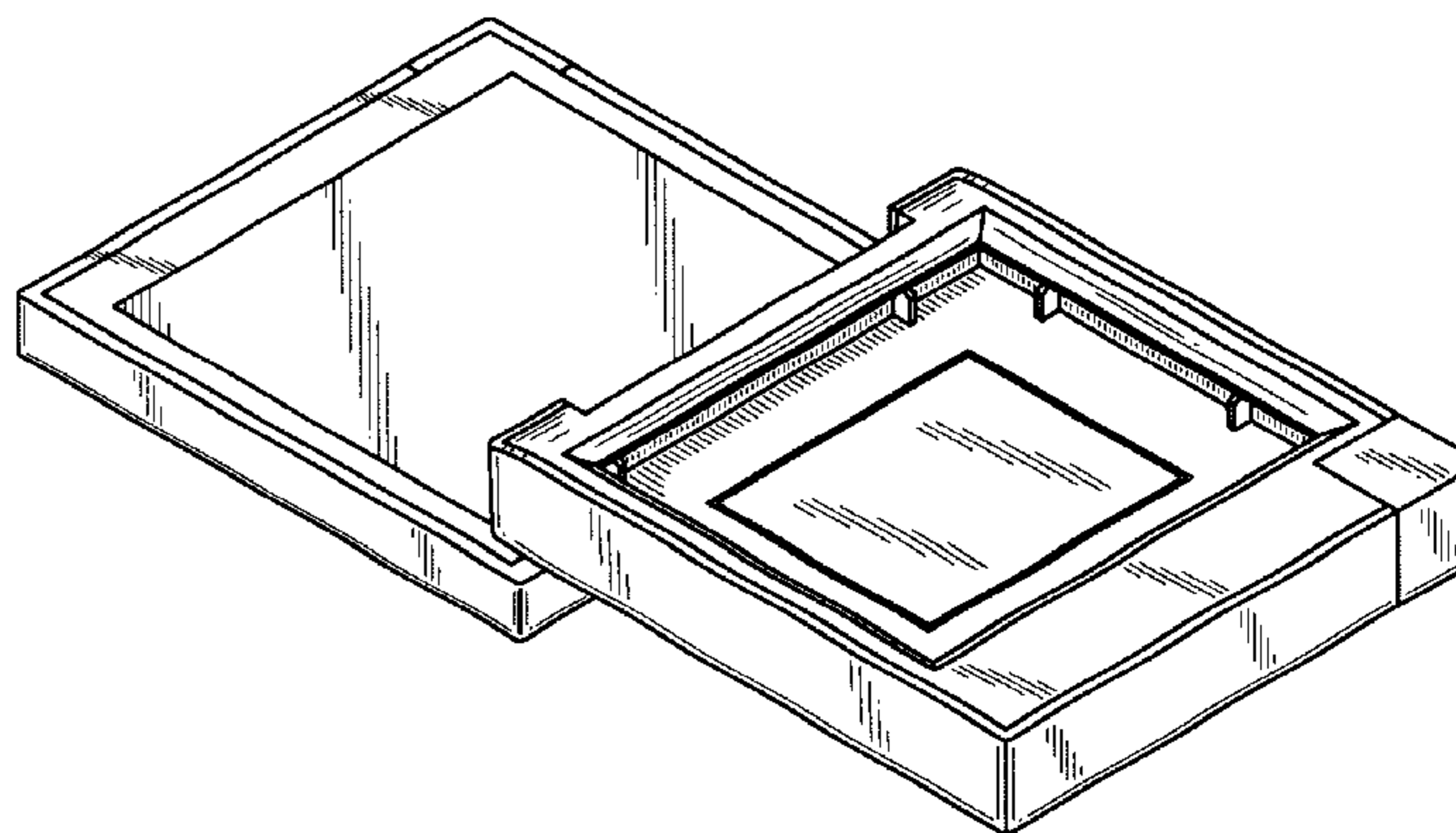
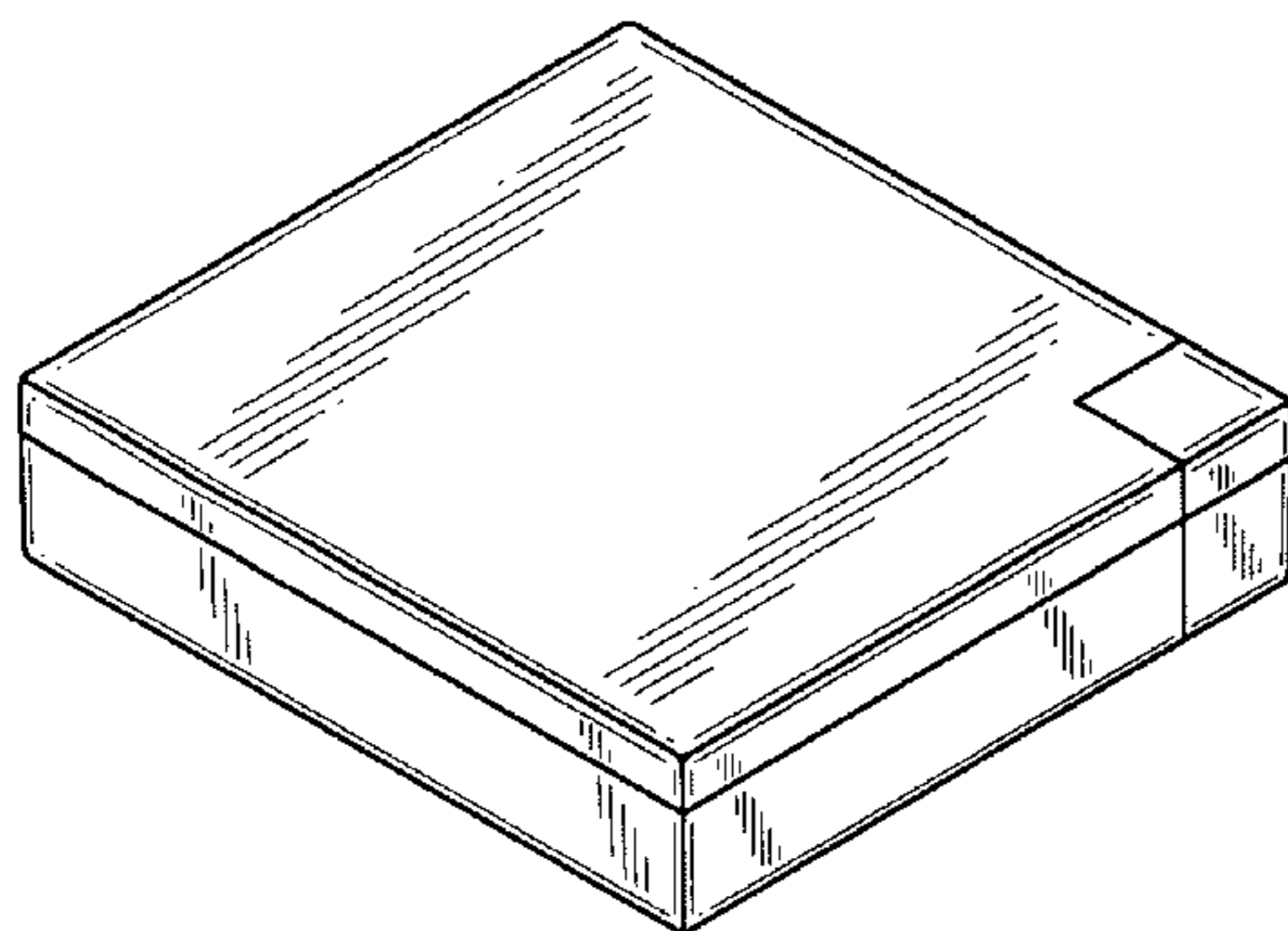


FIG. 1

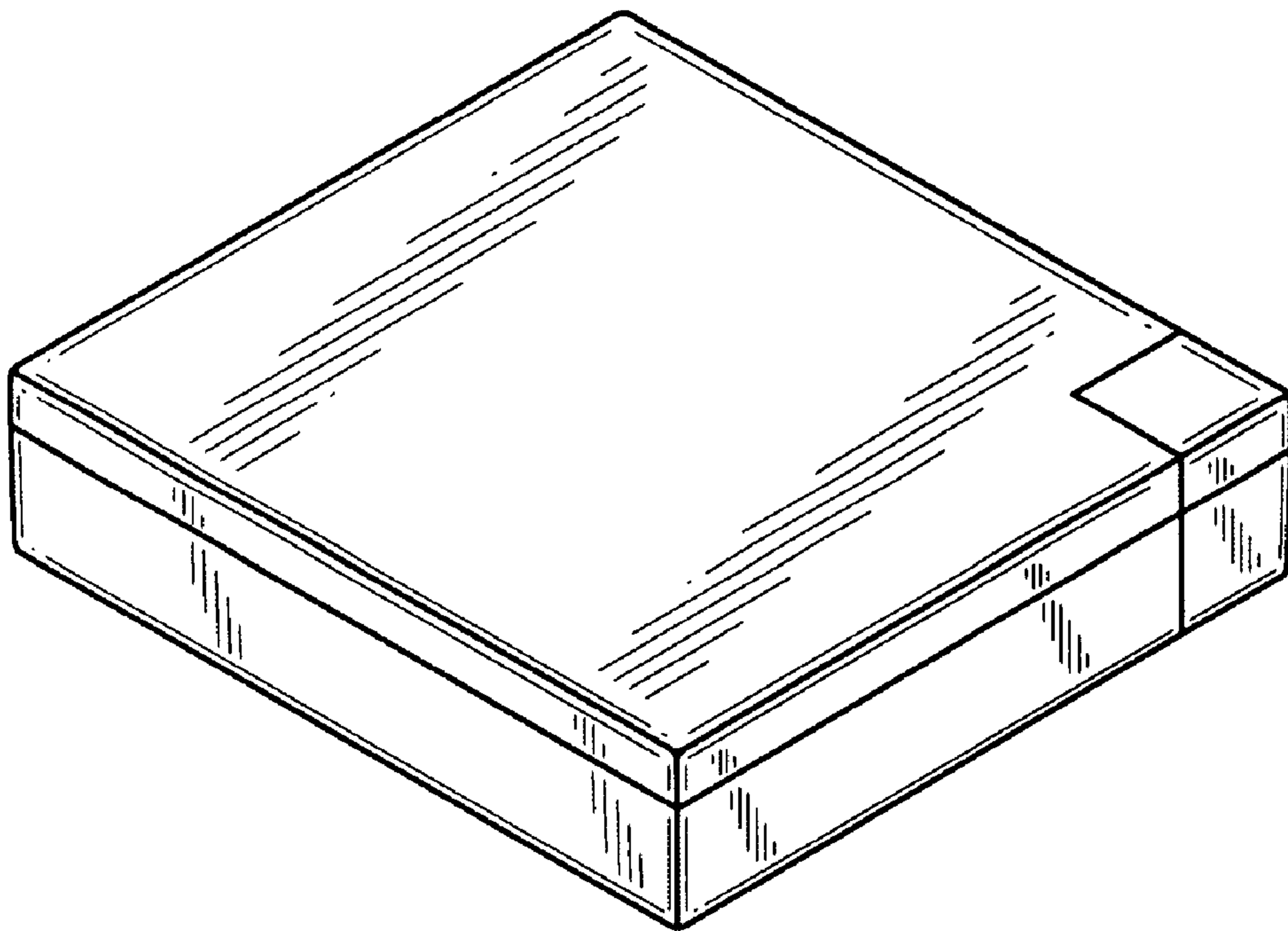


FIG. 2

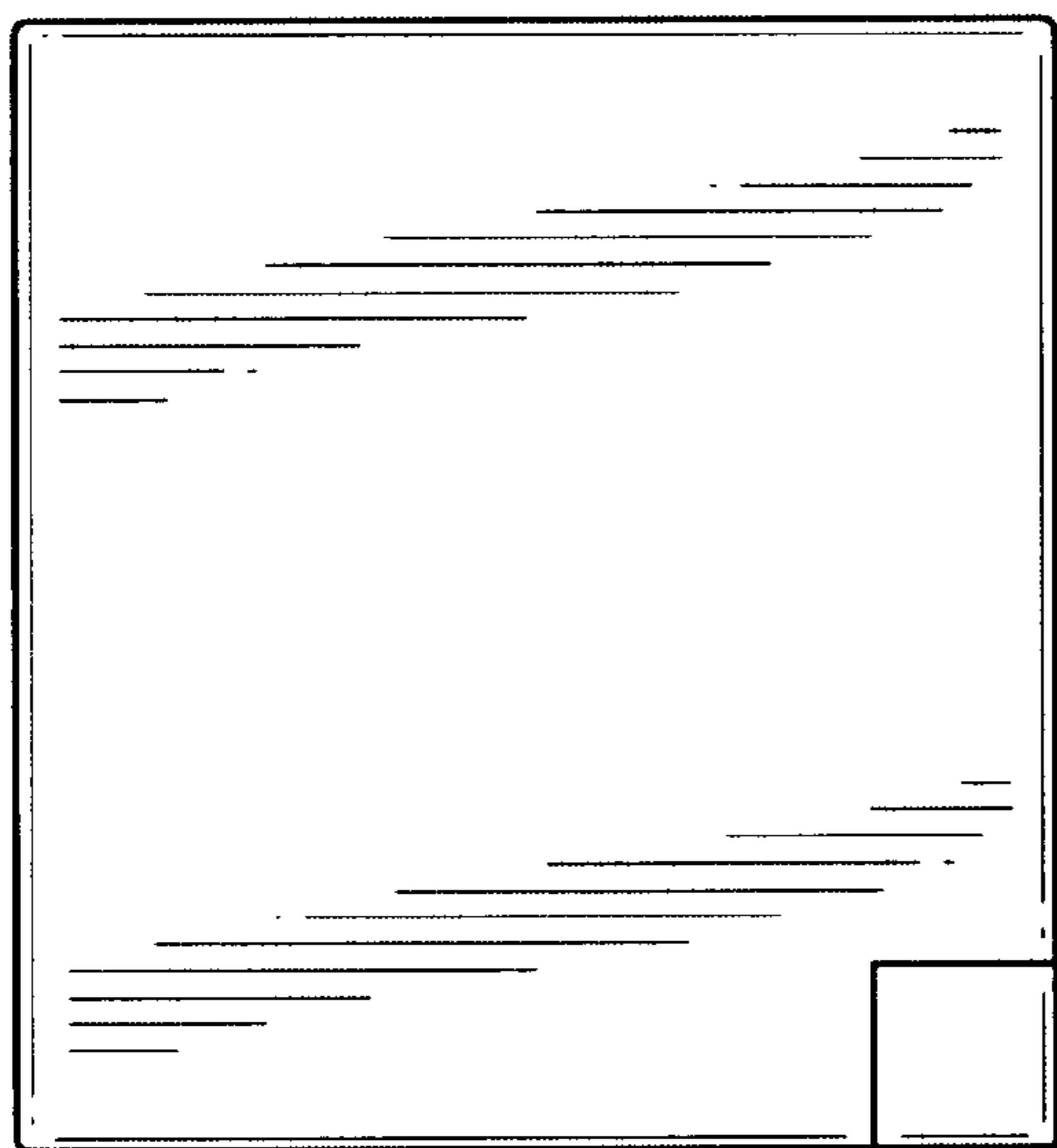


FIG. 3

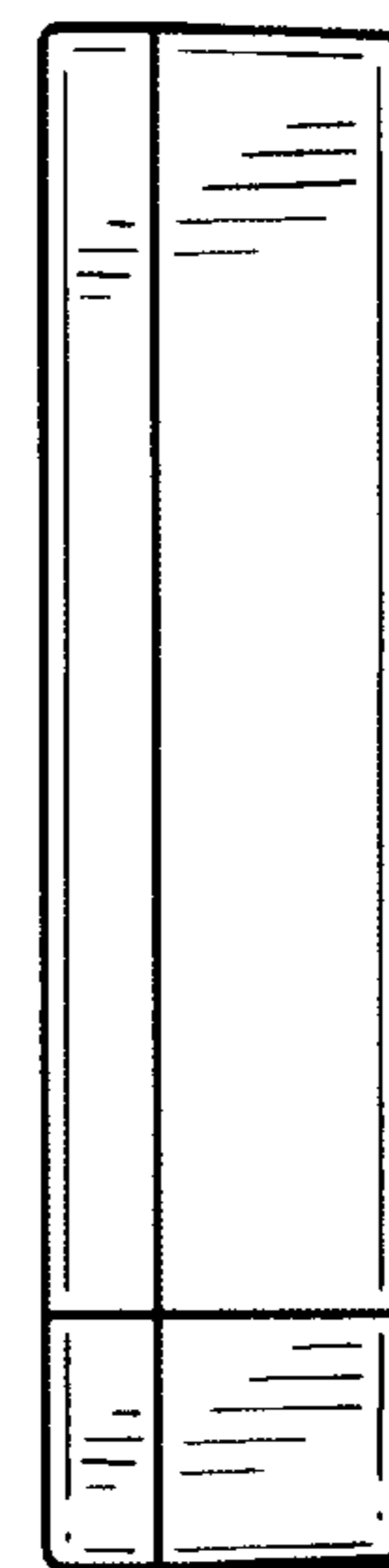


FIG. 4

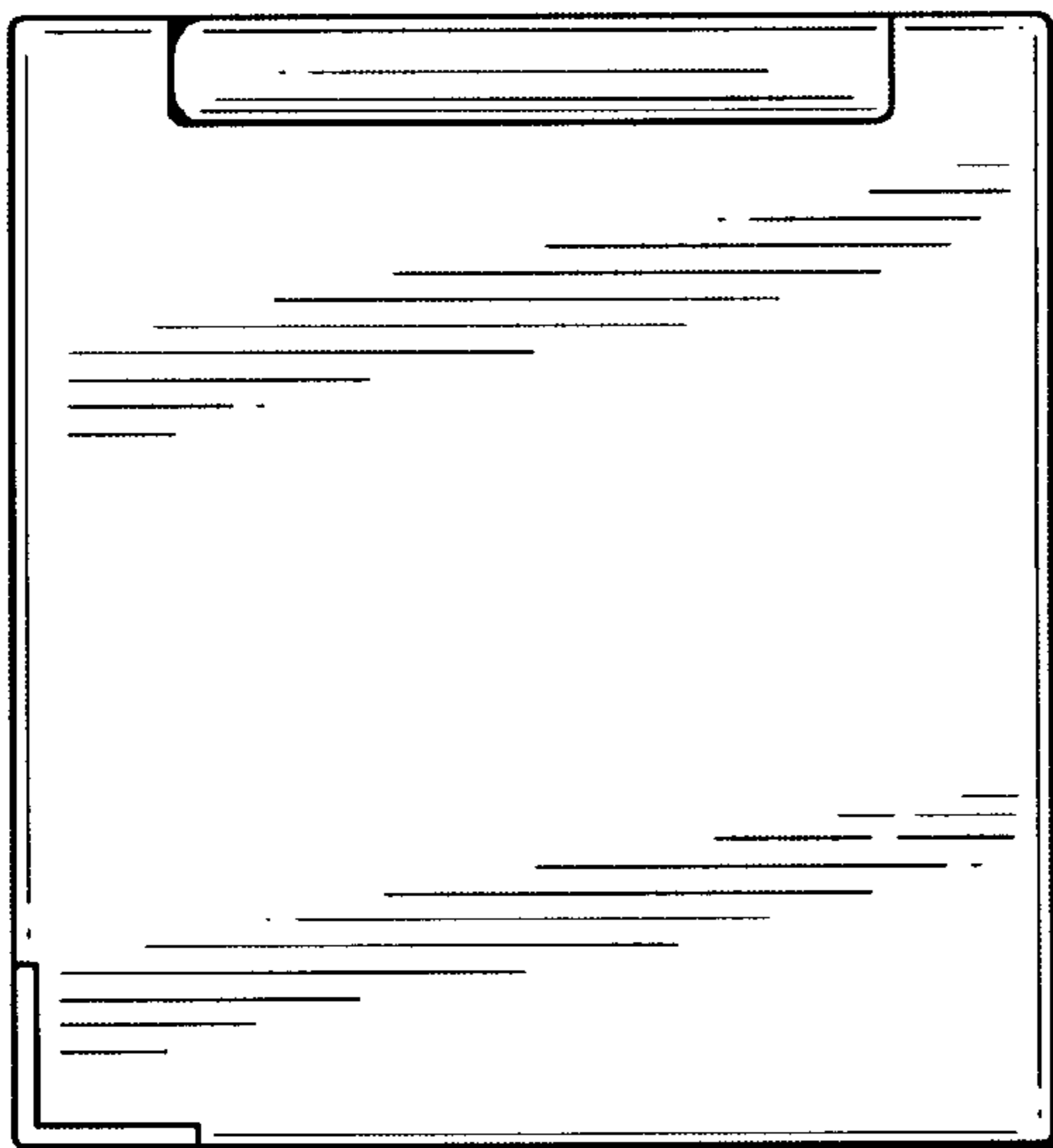


FIG. 5

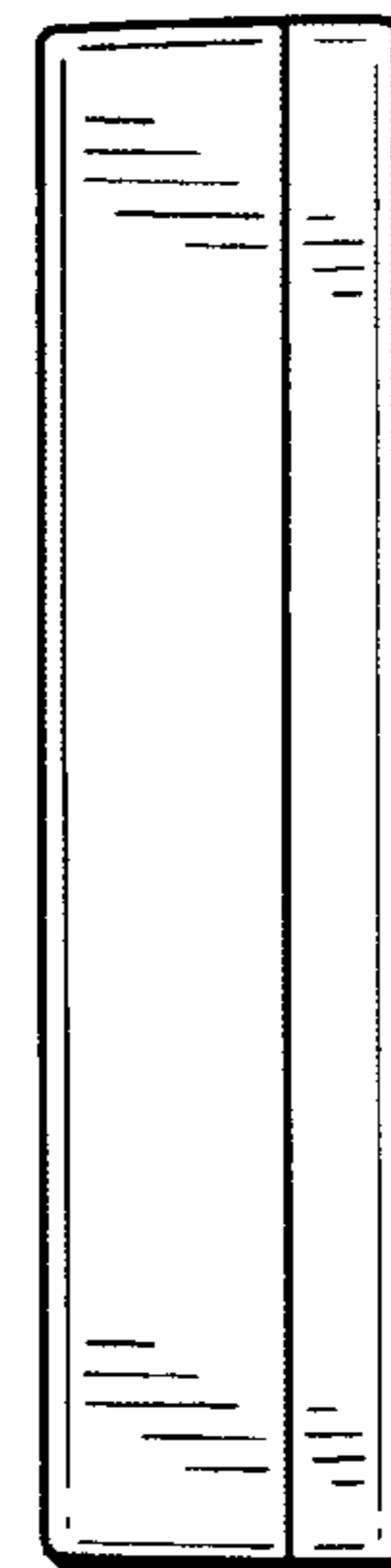


FIG. 6

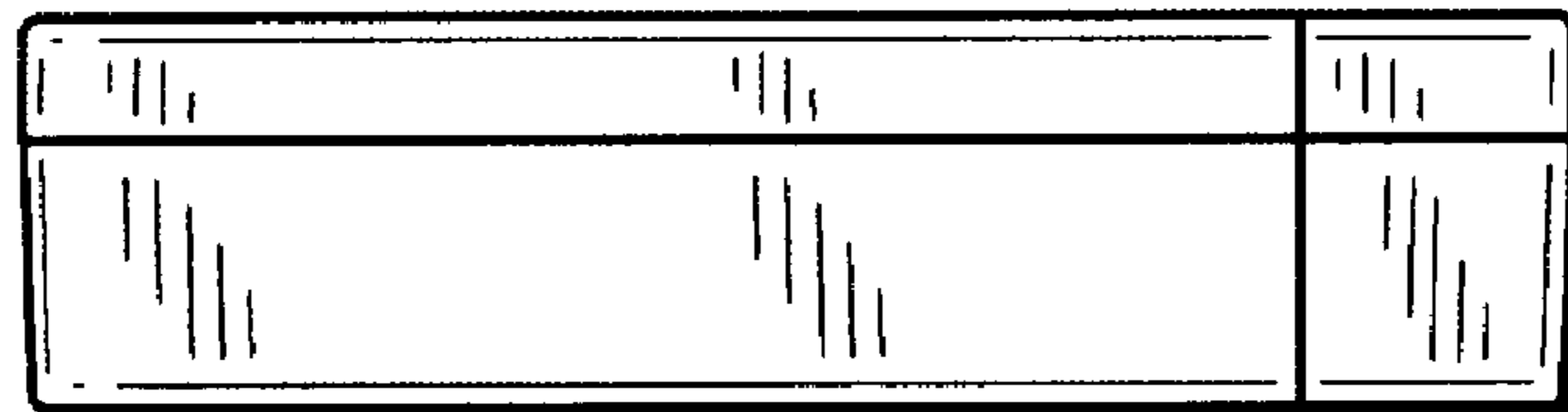


FIG. 7

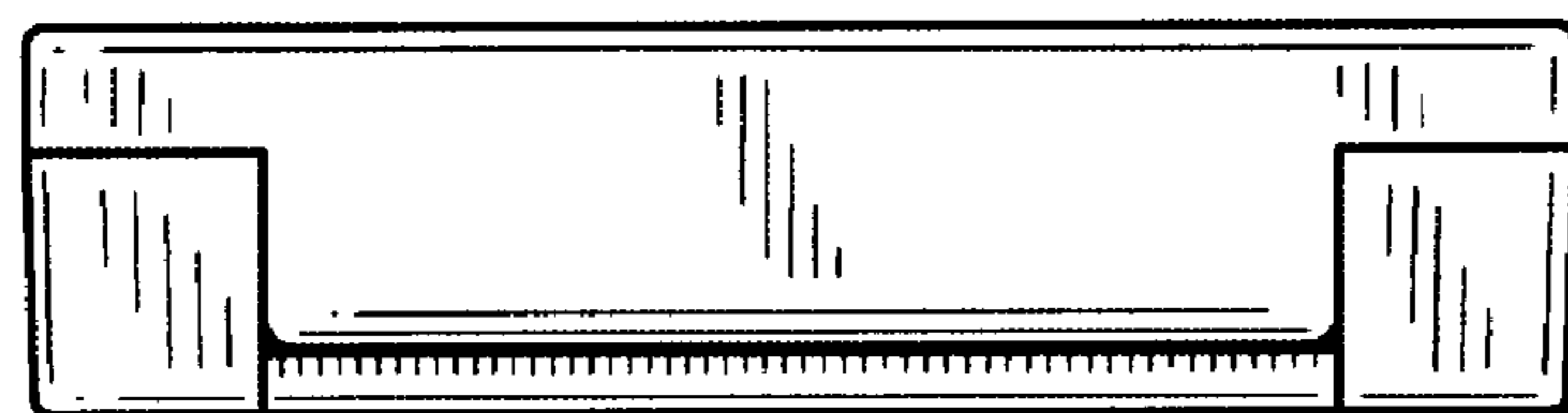


FIG. 8

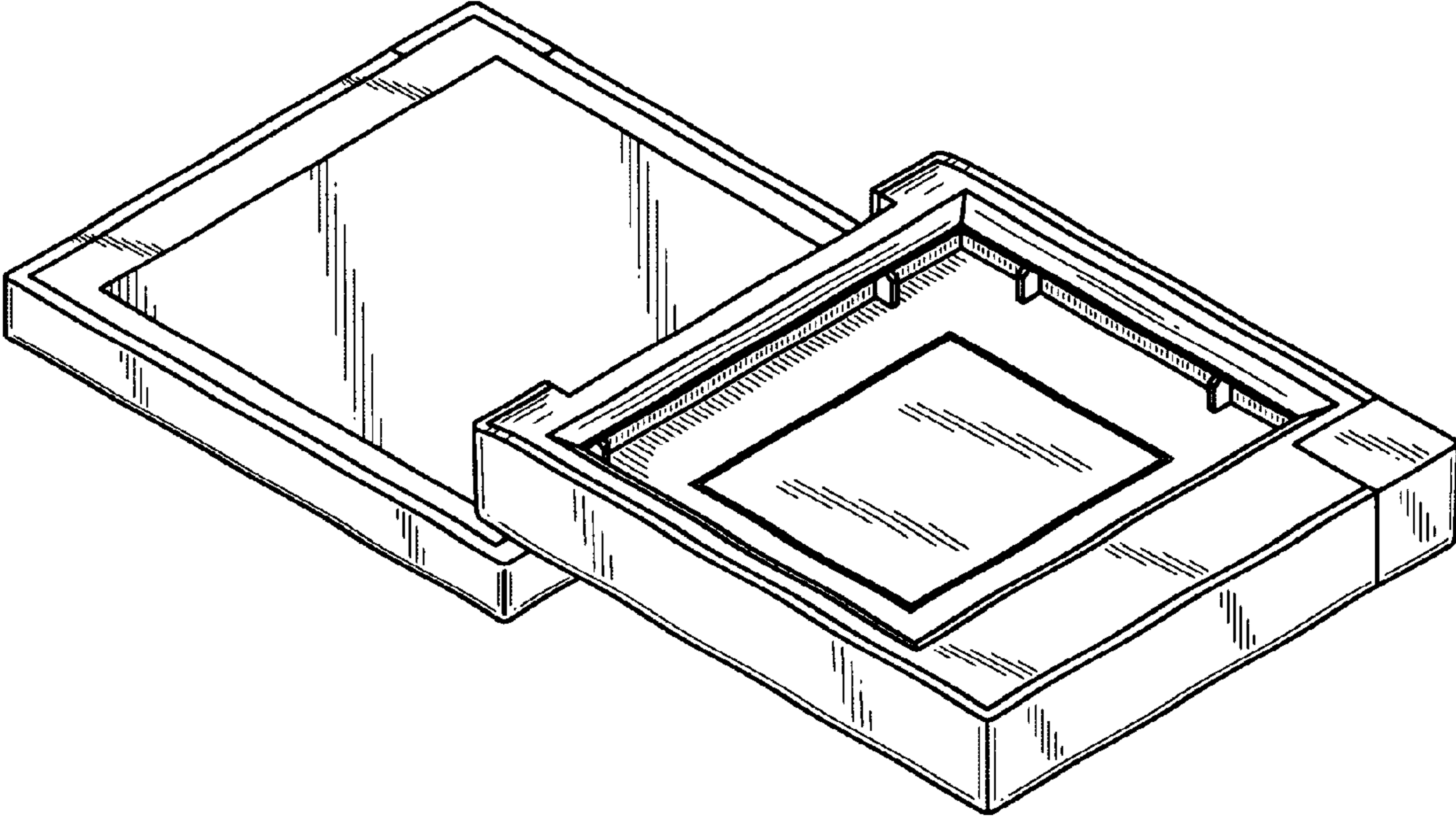


FIG. 9

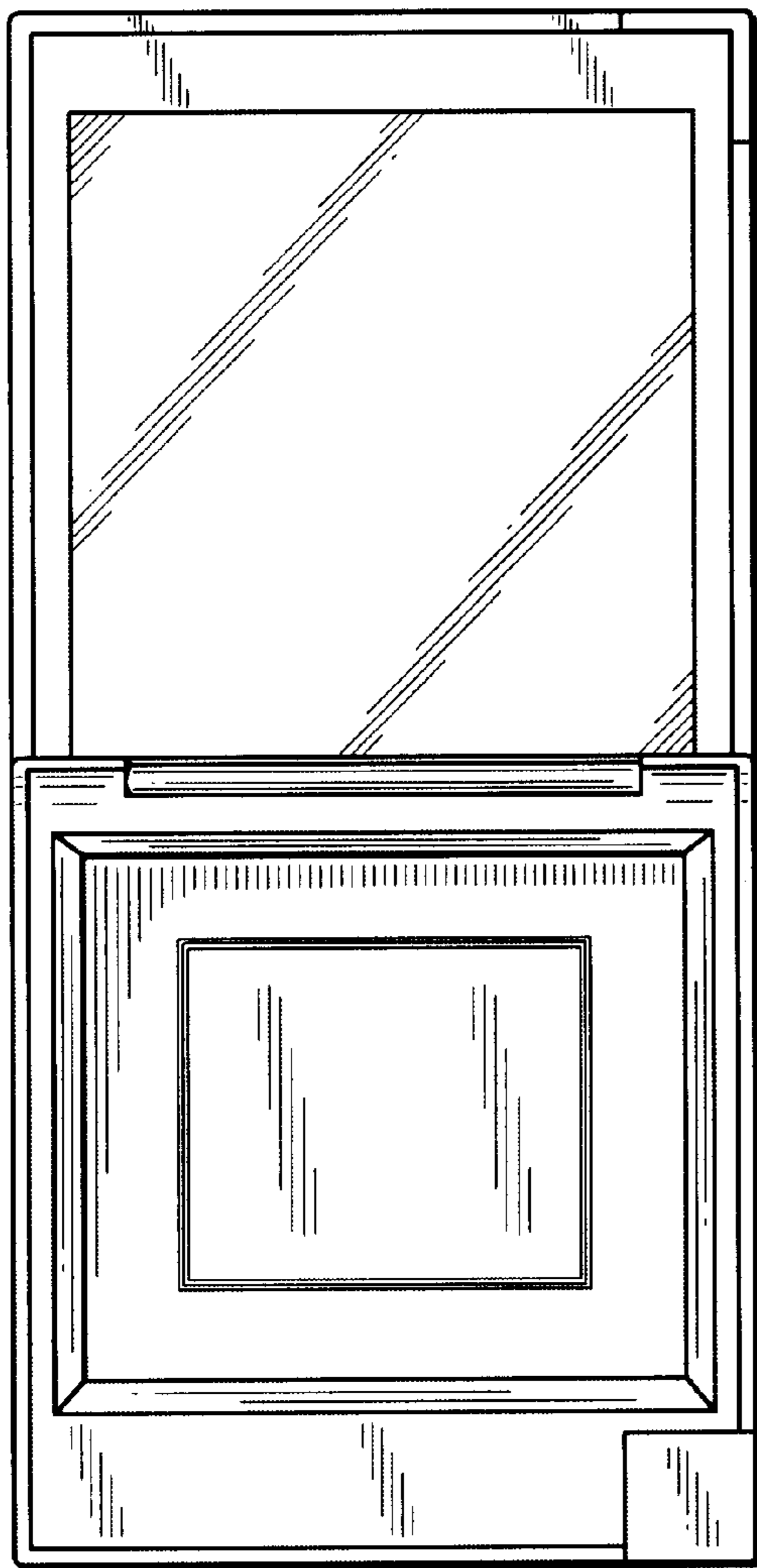


FIG. 10

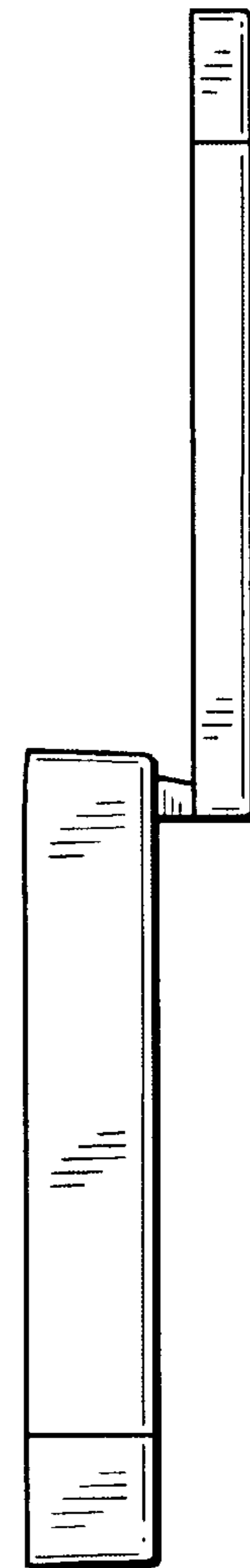


FIG. 11

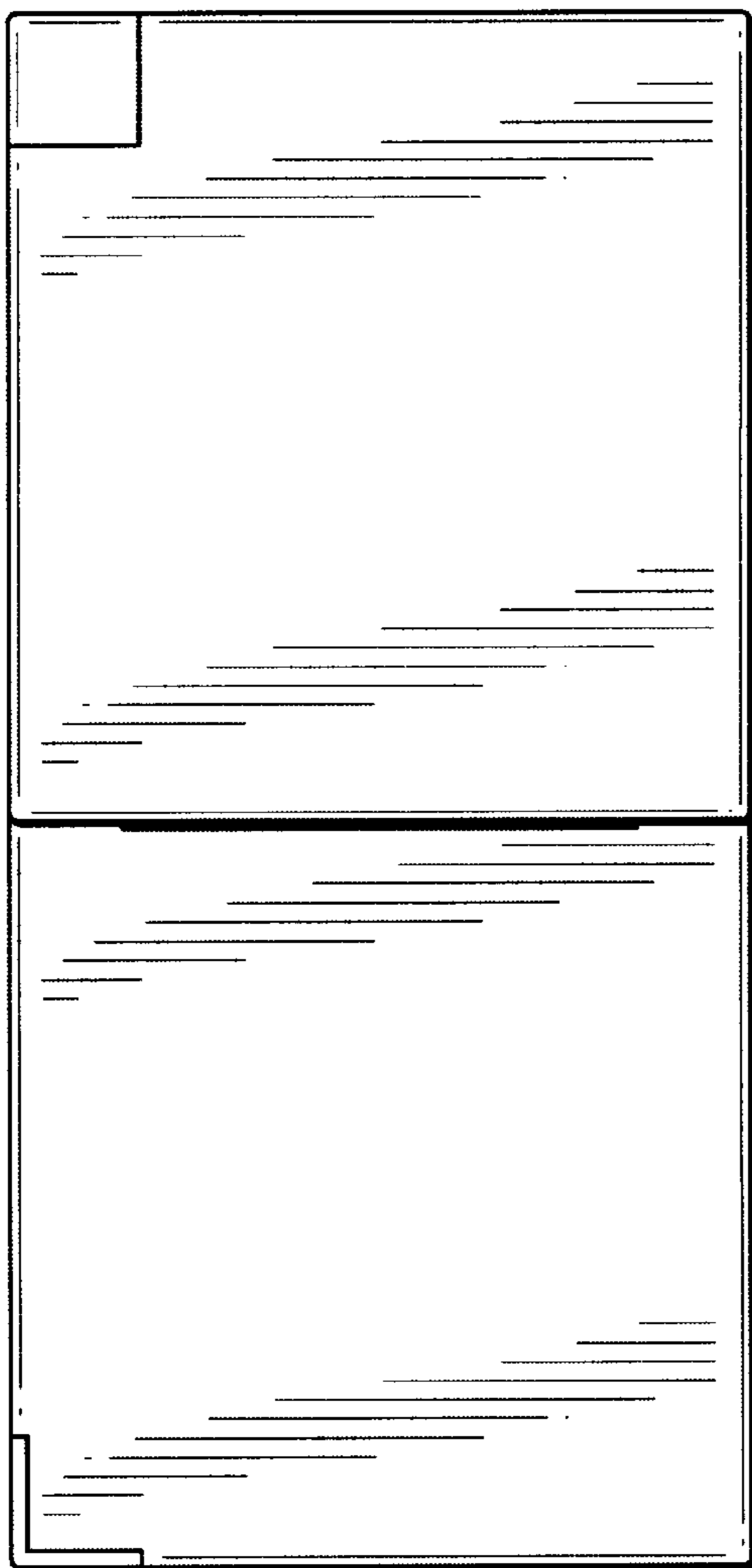


FIG. 12

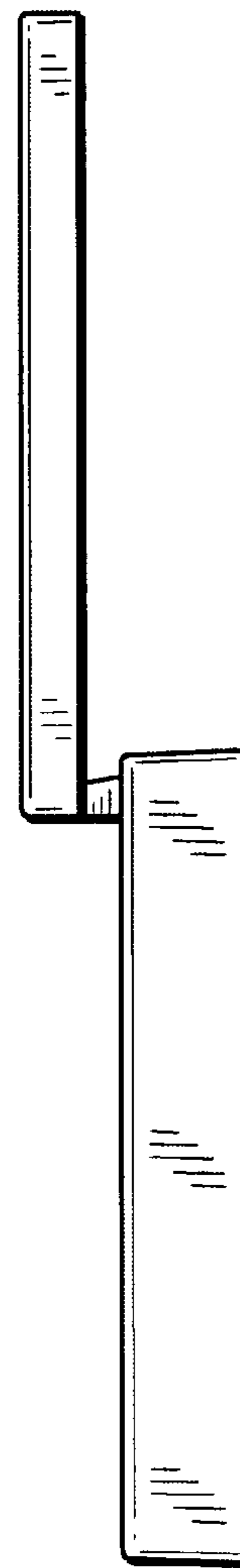


FIG. 13

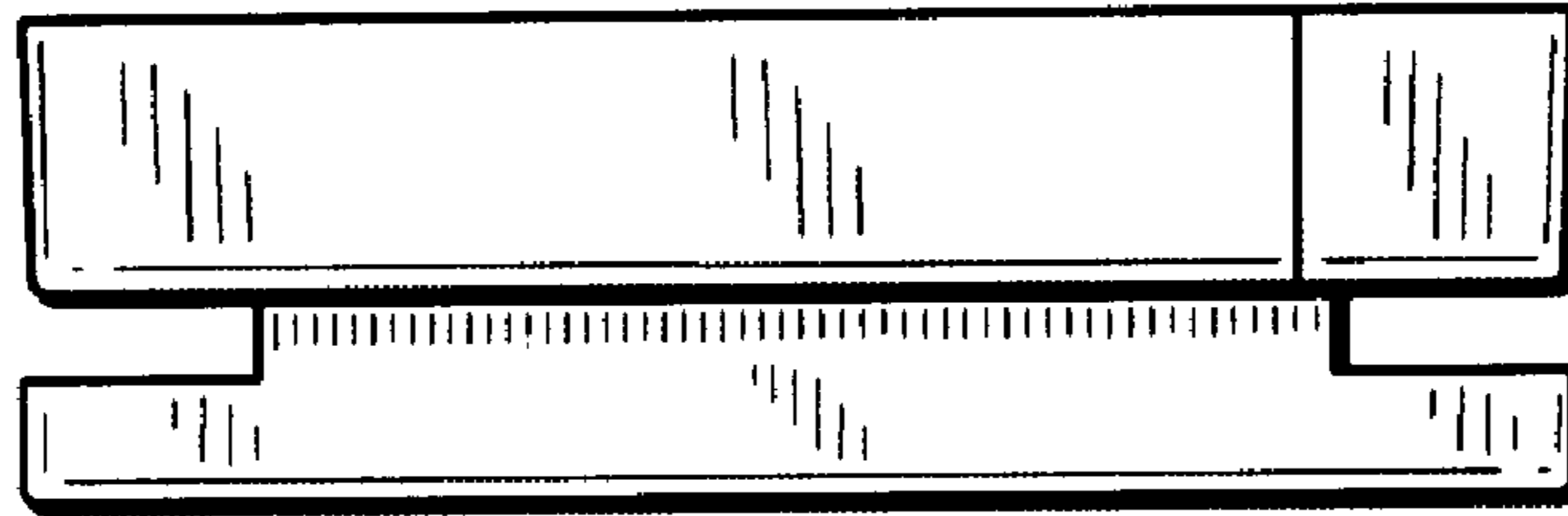
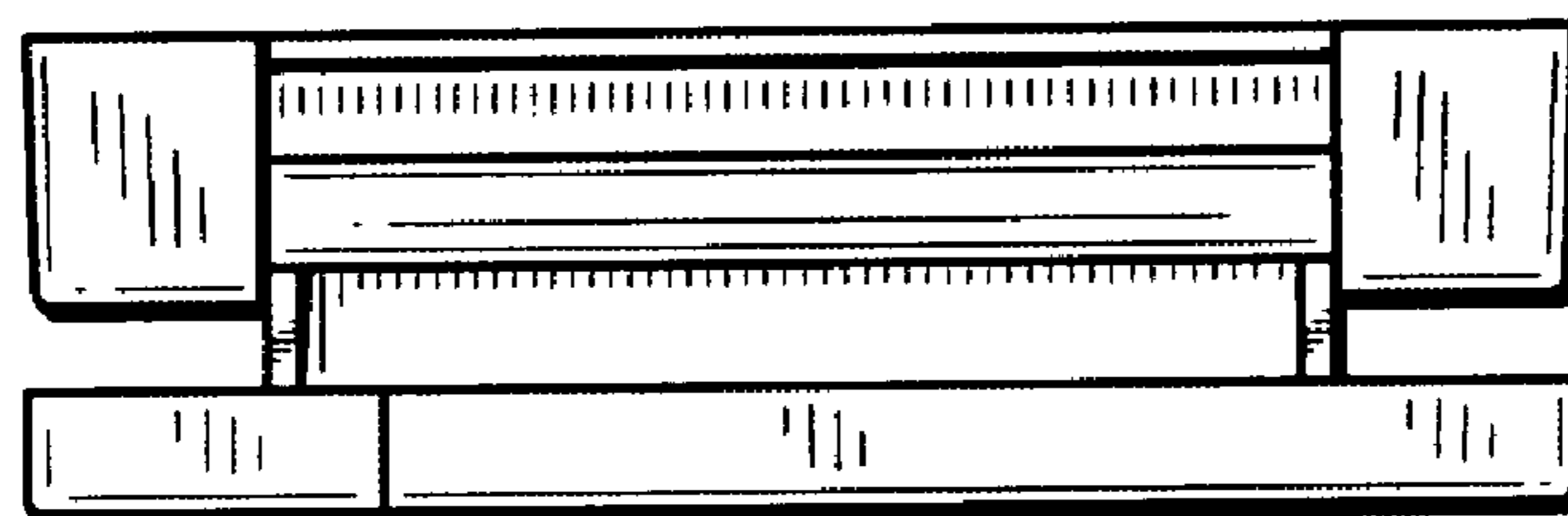


FIG. 14



UNITED STATES PATENT AND TRADEMARK OFFICE
CERTIFICATE OF CORRECTION

PATENT NO. : Des. 517,244 S
DATED : March 14, 2006
INVENTOR(S) : Ditrichstein and Grisoni

Page 1 of 1

It is certified that error appears in the above-identified patent and that said Letters Patent is hereby corrected as shown below:

Title page.

Item [54], Title, "COSMETIC" should be -- MAKEUP --.

Item [57], DESCRIPTION,

Figure 8, "cosmetic" should be -- makeup --.

Signed and Sealed this

Thirtieth Day of May, 2006

A handwritten signature in black ink on a light gray dotted background. The signature reads "Jon W. Dudas" in a cursive style.

JON W. DUDAS

Director of the United States Patent and Trademark Office