

US00D517238S

(12) **United States Design Patent**
Rhodes

(10) **Patent No.:** **US D517,238 S**
(45) **Date of Patent:** **** Mar. 14, 2006**

(54) **LAMP**

(75) Inventor: **Nancy Rhodes**, Charleston, SC (US)

(73) Assignee: **Quoizel, Inc.**, Goose Creek, SC (US)

(**) Term: **14 Years**

(21) Appl. No.: **29/197,961**

(22) Filed: **Jan. 22, 2004**

(51) **LOC (8) Cl.** **26-03**

(52) **U.S. Cl.** **D26/111**

(58) **Field of Classification Search** D26/118,
D26/128–131, 93–112; 362/410–414
See application file for complete search history.

(56) **References Cited**

U.S. PATENT DOCUMENTS

D54,315 S	*	12/1919	Gonsky	D26/118
D375,380 S	*	11/1996	Lewis	D26/111
D429,367 S	*	8/2000	Hsieh	D26/110
D430,338 S	*	8/2000	Hsieh	D26/110

OTHER PUBLICATIONS

Taiwan Lighting, A Jast Enterprsie Co., Ltd. lamp No. FL-115 on p. 513.*

Quoizel catalog entitled *Quoizel A Tradition of Excellence . . . since 1930, 2003 Catalog*, pp. 96–97, 129–133, 170, 173 and 185, 2003.

Applicant's co-pending U.S. Appl. No. 29/198,008 filed Jan. 23, 2004.

Applicant's co-pending U.S. Appl. No. 29/197,962 filed Jan. 22, 2004.

* cited by examiner

Primary Examiner—Alan P. Douglas

Assistant Examiner—Linda Brooks

(74) *Attorney, Agent, or Firm*—Nelson Mullins Riley & Scarborough, LLP

(57) **CLAIM**

The ornamental design for a lamp, substantially as shown and described.

DESCRIPTION

FIG. 1 is a perspective view of the design of the present invention shown in a first embodiment.

FIG. 2 is a front side elevational view of the design illustrated in FIG. 1.

FIG. 3 is a rear elevational view of the design illustrated in FIG. 1.

FIG. 4 is a right side elevational view of the design illustrated in FIG. 1.

FIG. 5 is a left side elevational view of the design illustrated in FIG. 1.

FIG. 6 is a top view of the design illustrated in FIG. 1.

FIG. 7 is a bottom view of the design illustrated in FIG. 1.

FIG. 8 is a perspective view similar to FIG. 1, but showing a second embodiment.

FIG. 9 is a front side elevational view of the design illustrated in FIG. 8.

FIG. 10 is a rear elevational view of the design illustrated in FIG. 8.

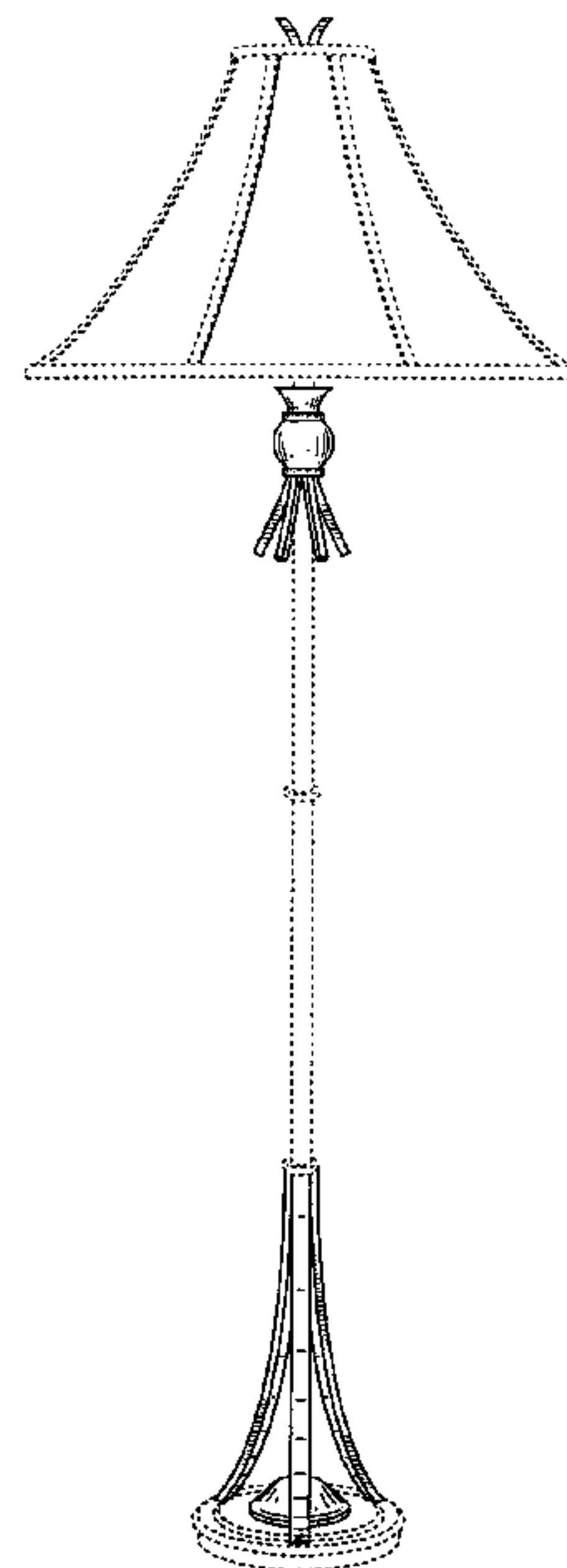
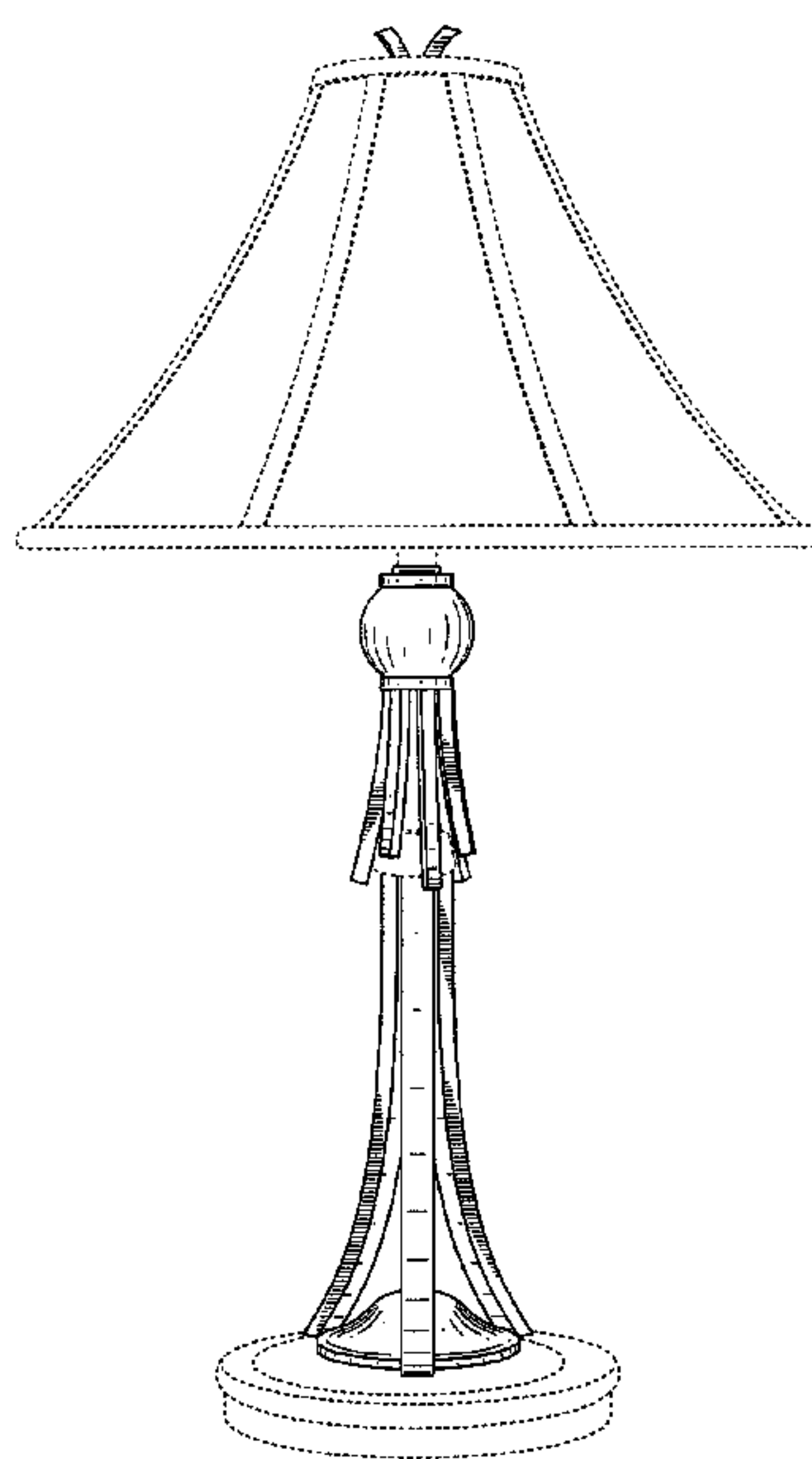
FIG. 11 is a right side elevational view of the design illustrated in FIG. 8.

FIG. 12 is a left side elevational view of the design illustrated in FIG. 8.

FIG. 13 is a top view of the design illustrated in FIG. 8; and, FIG. 14 is a bottom view of the design illustrated in FIG. 8.

The portions shown in broken lines do not form part of the claimed design.

1 Claim, 14 Drawing Sheets



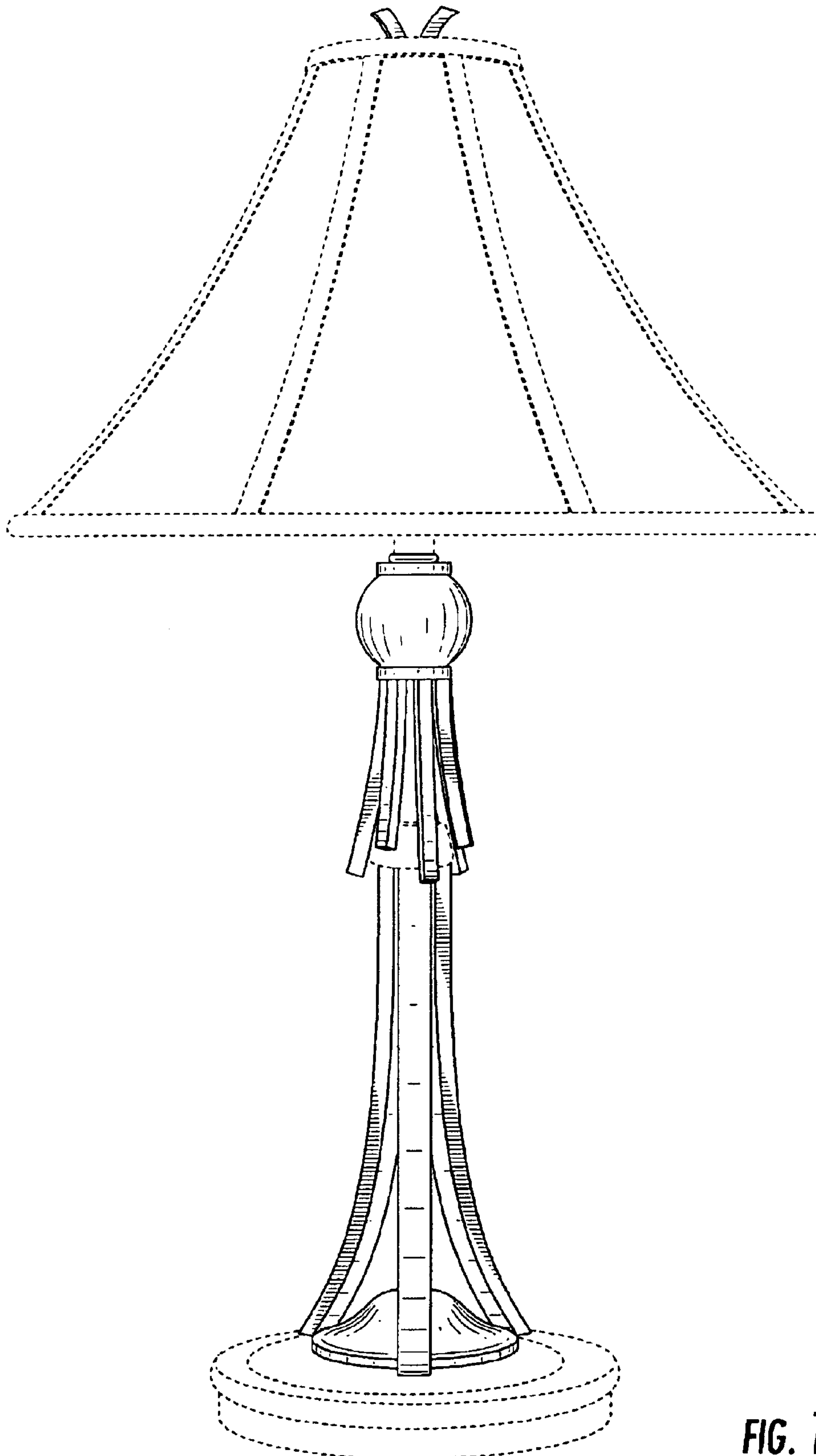


FIG. 1

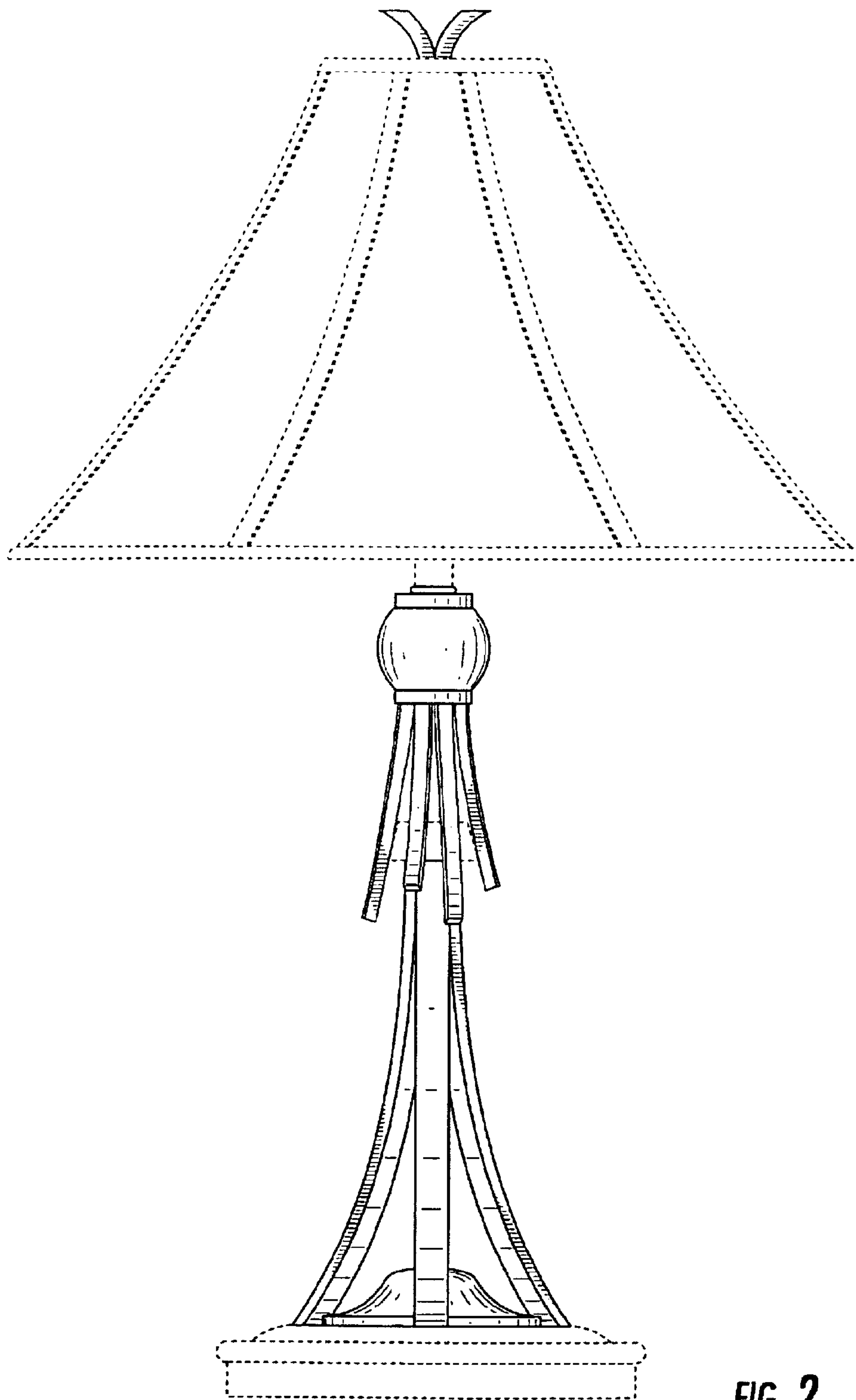


FIG. 2

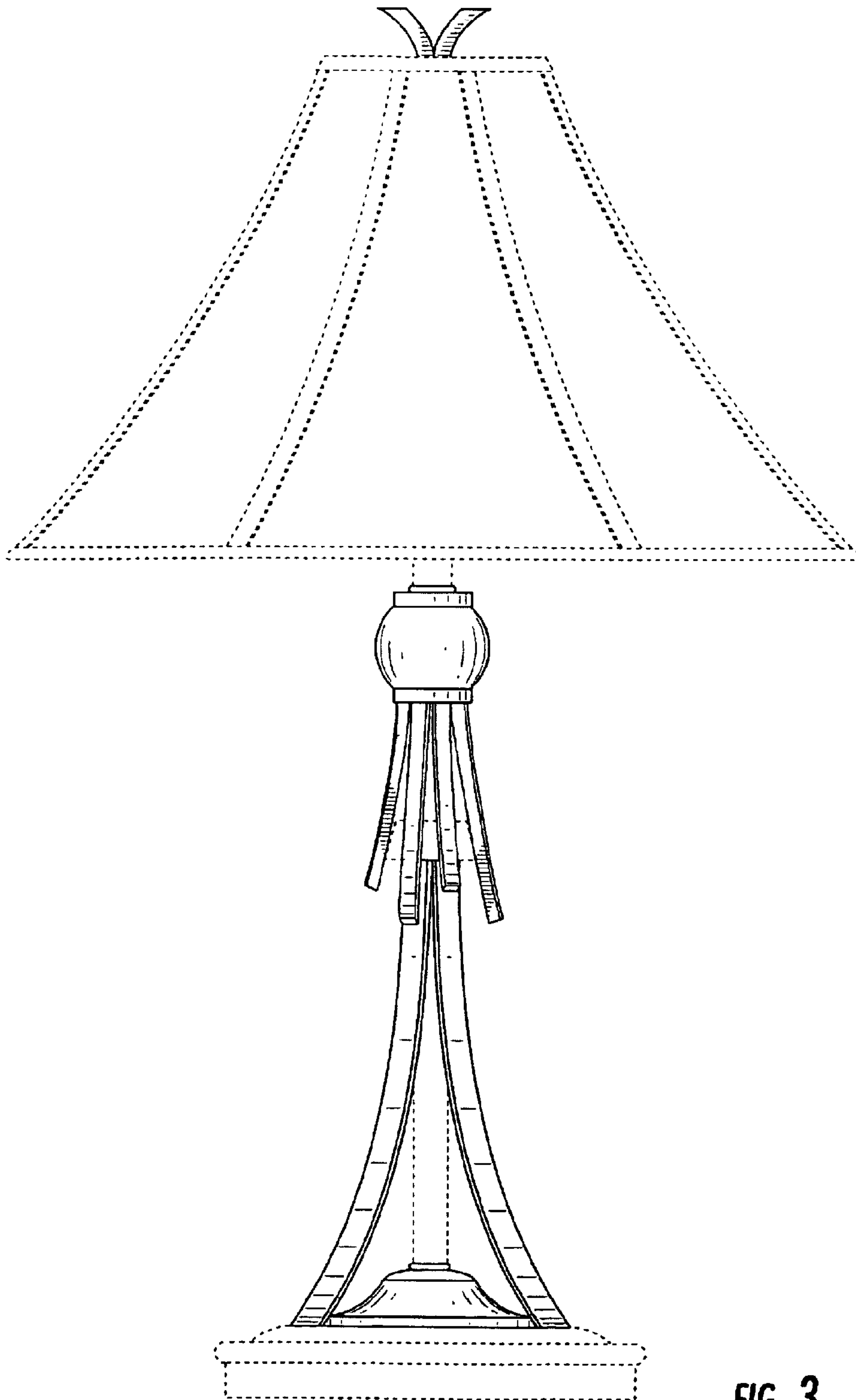


FIG. 3

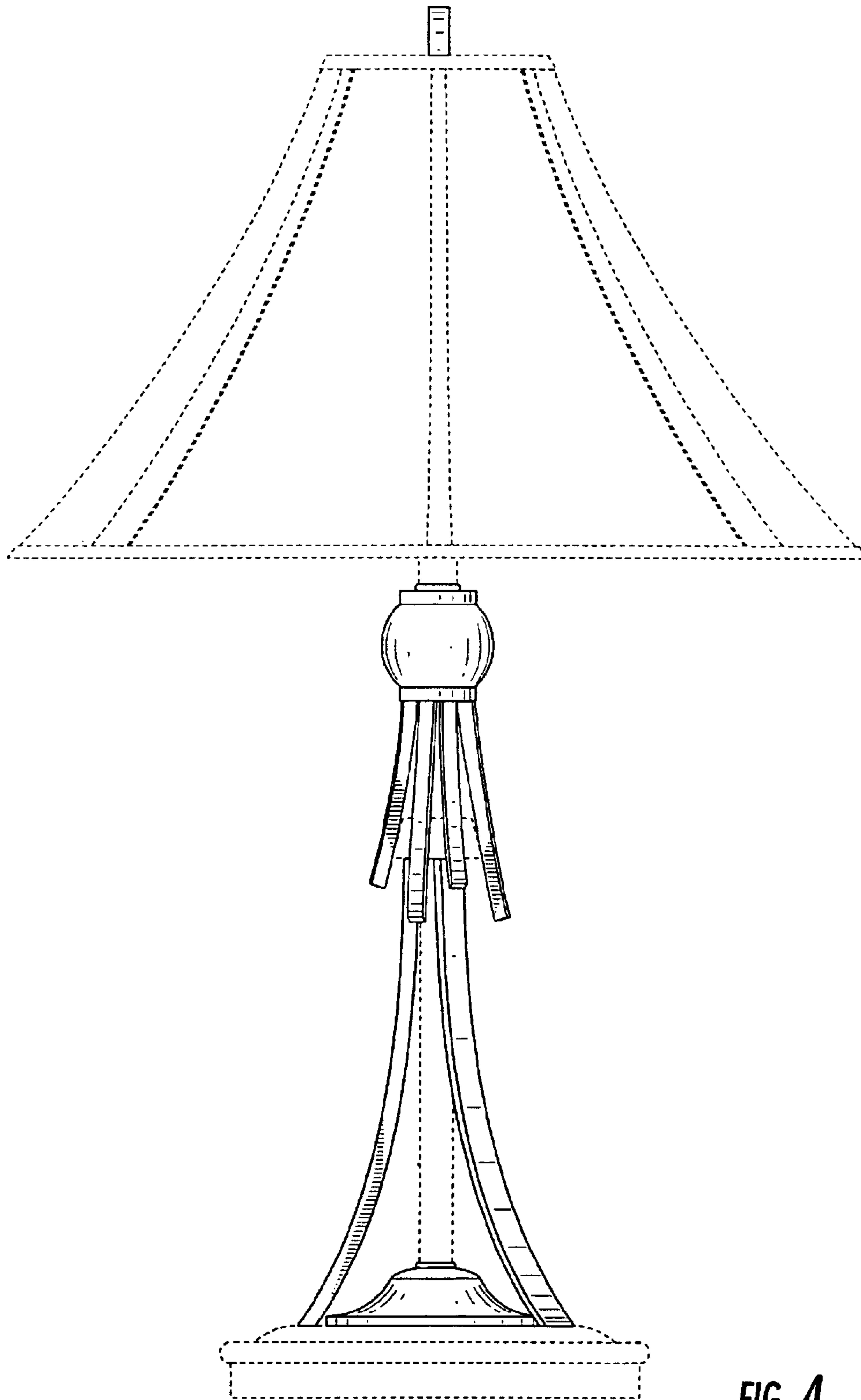


FIG. 4

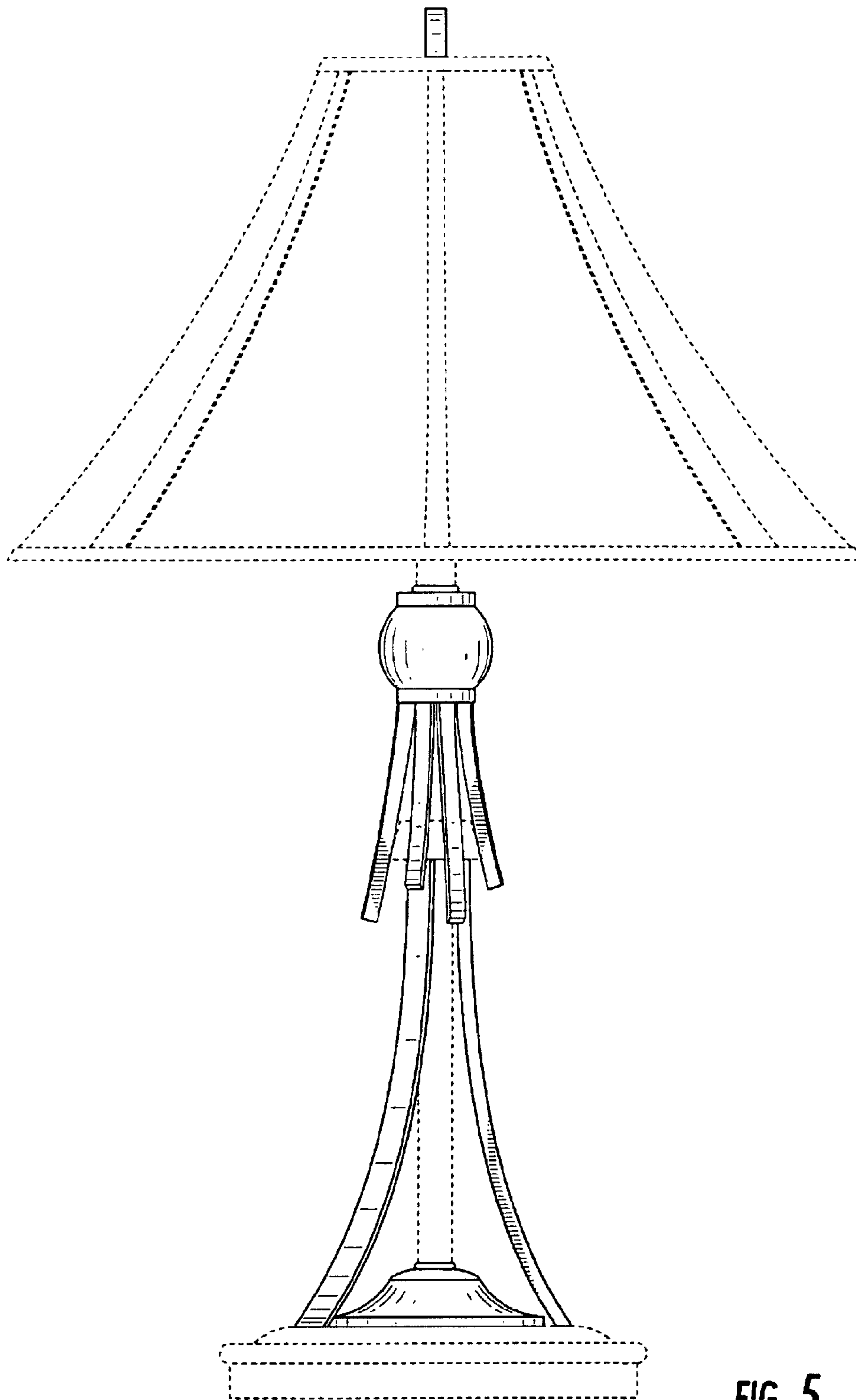


FIG. 5

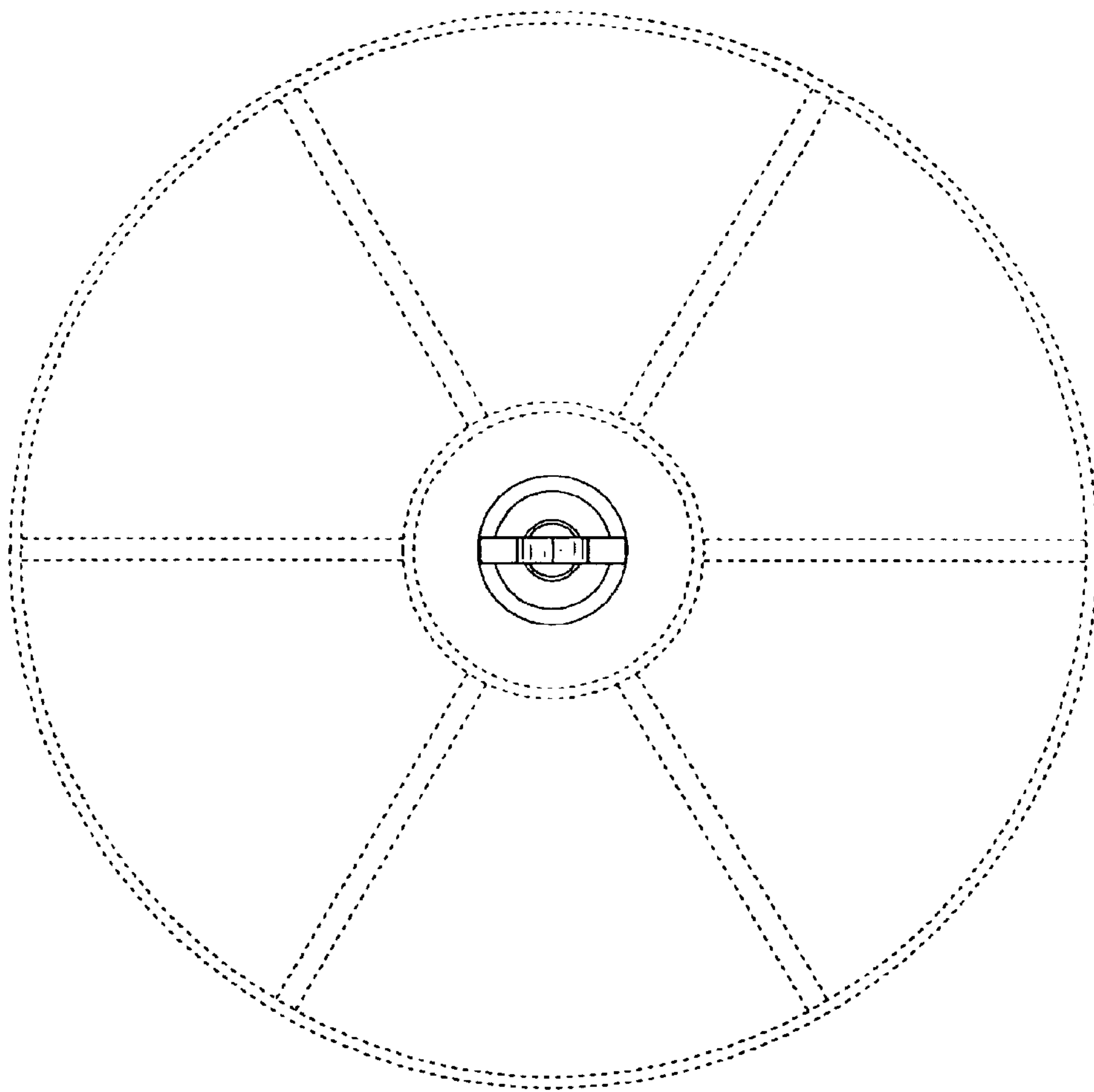


FIG. 6

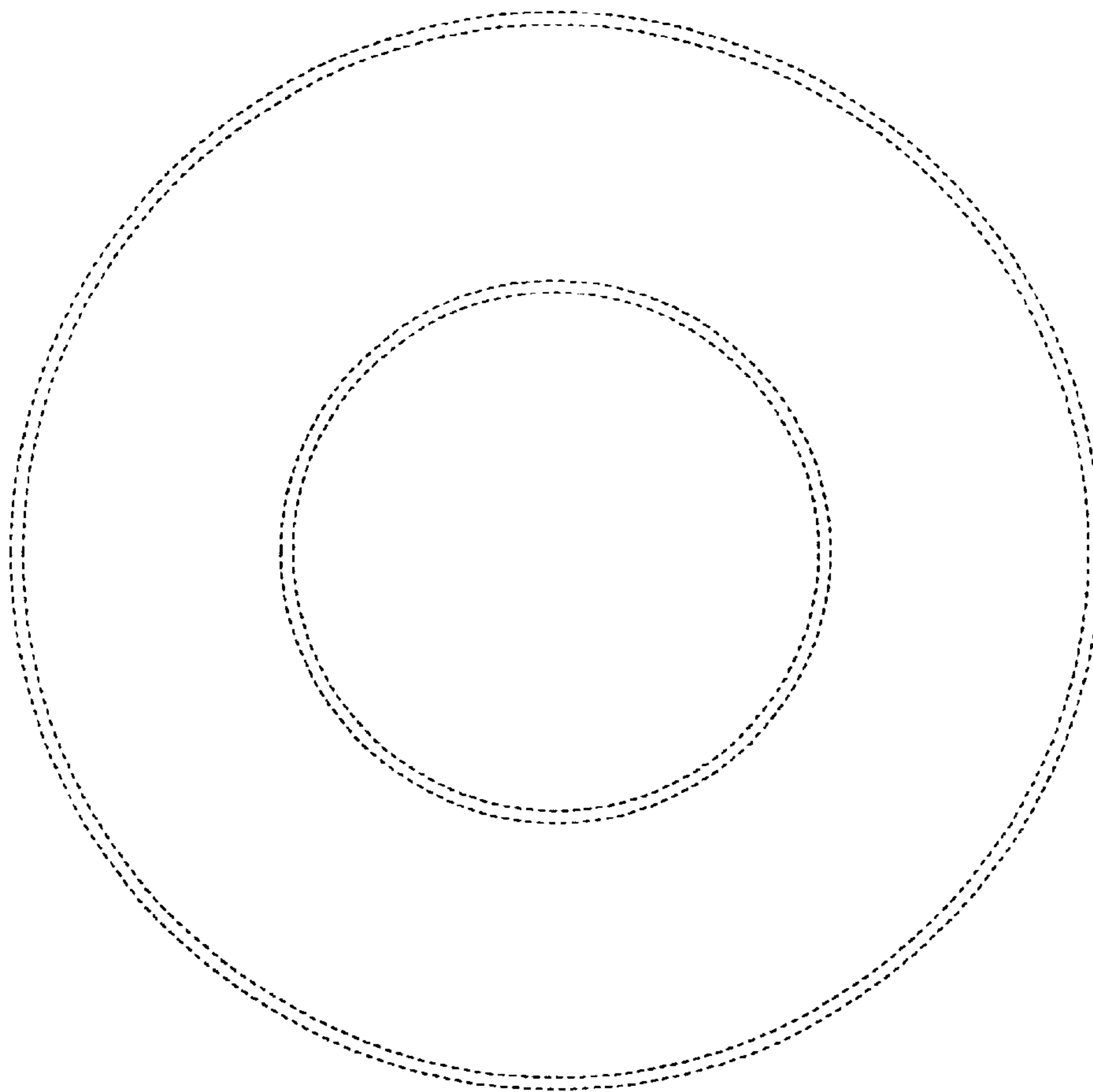


FIG. 7

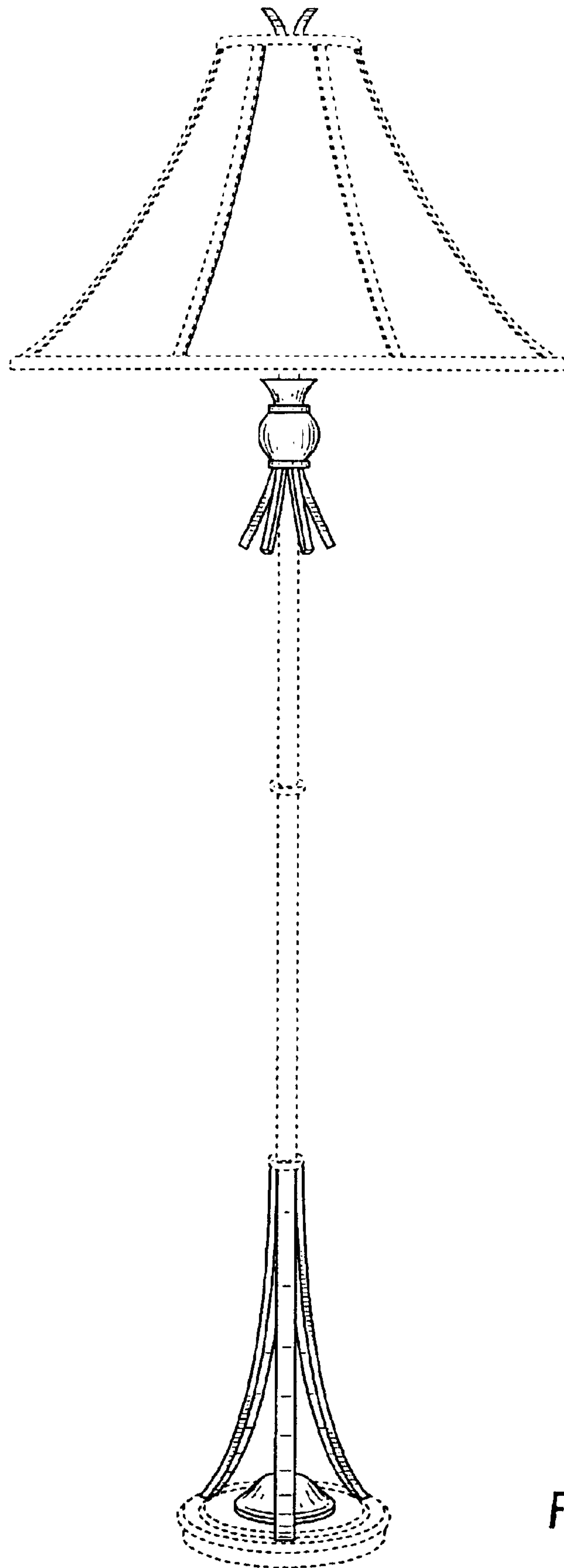


FIG. 8

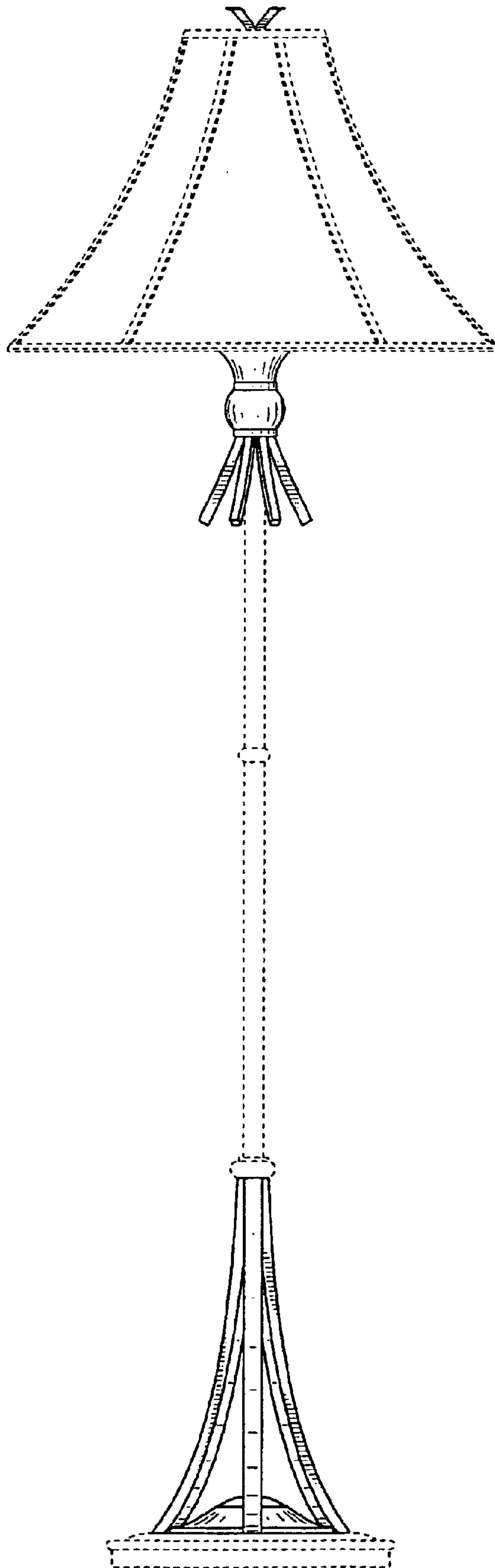


FIG. 9

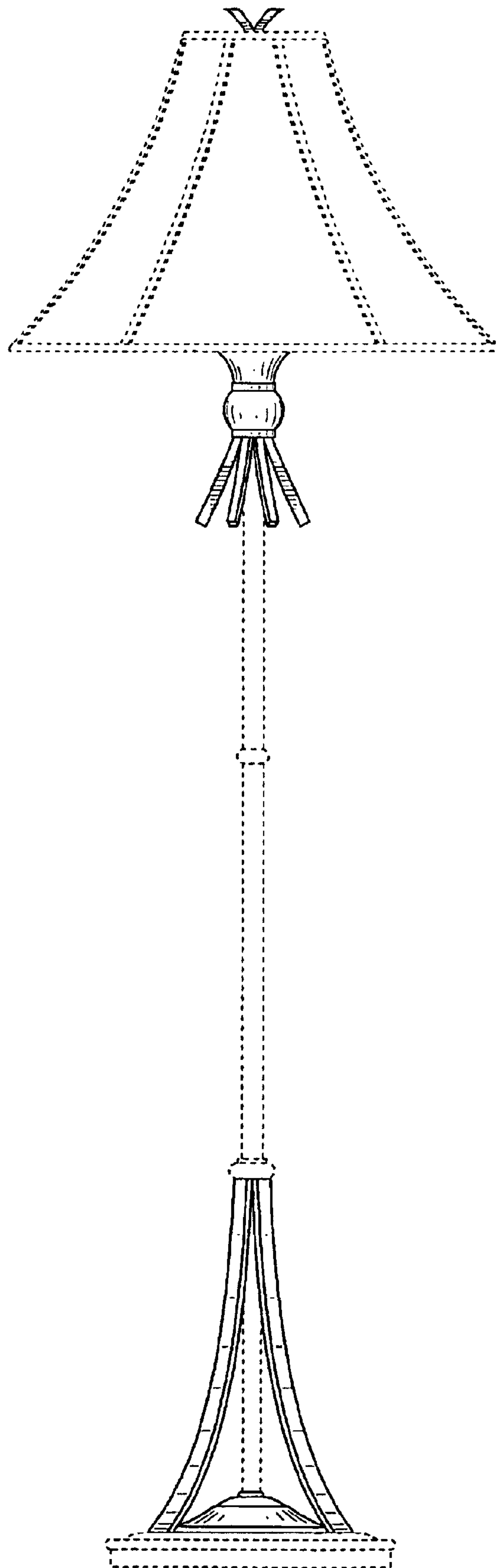


FIG. 10

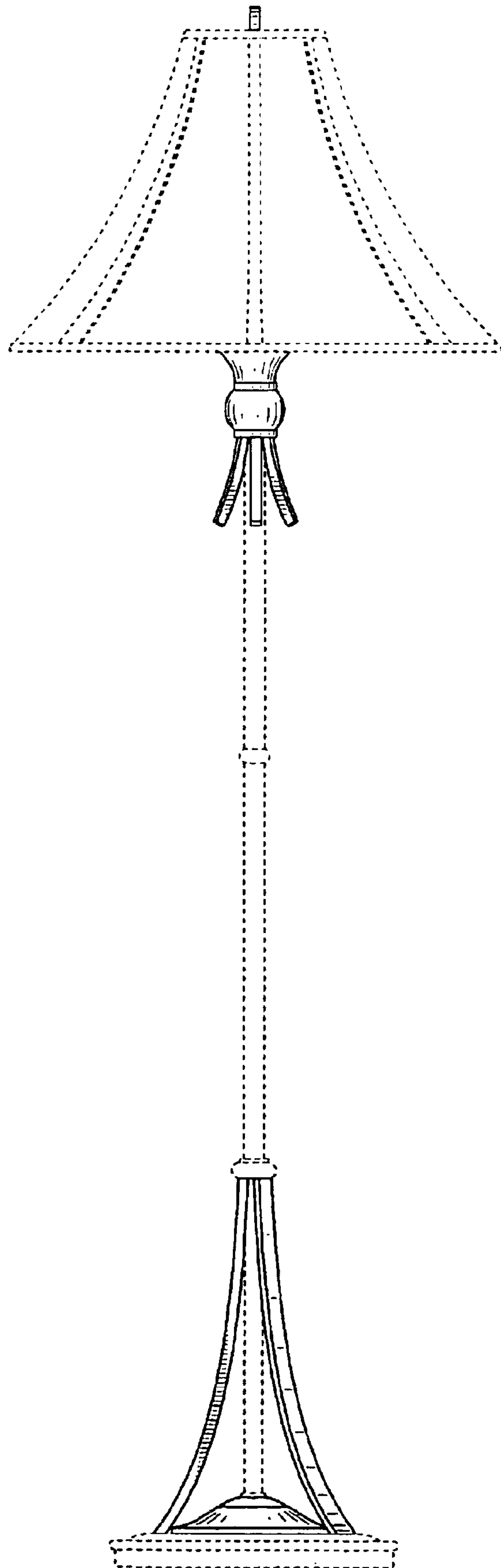


FIG. 11

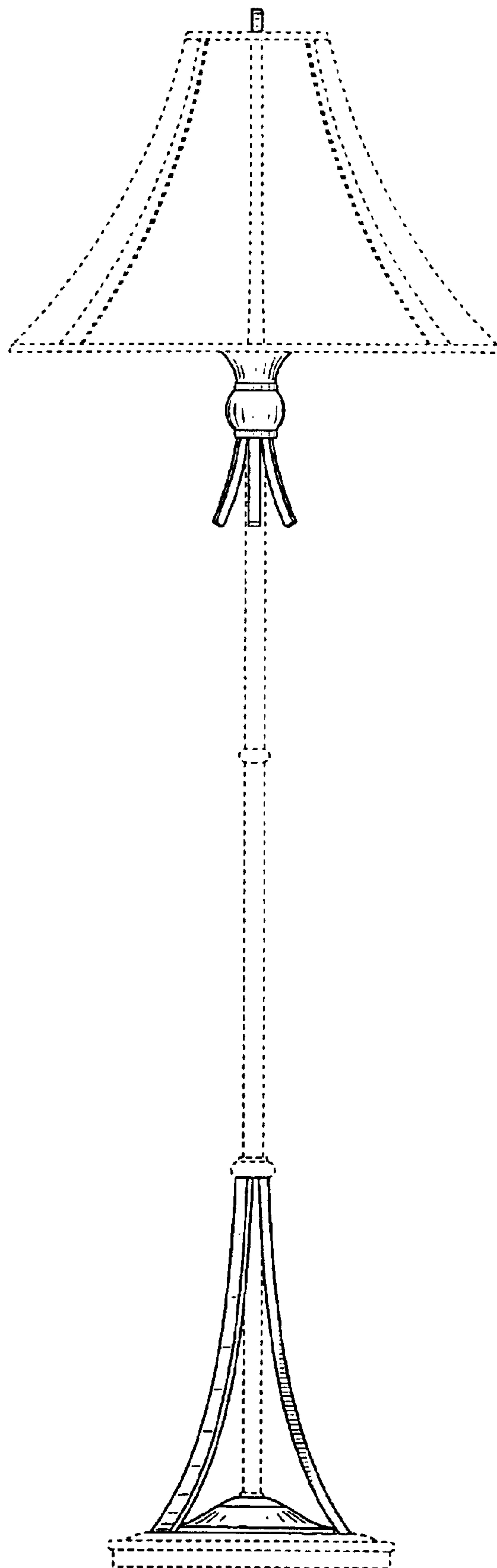


FIG. 12

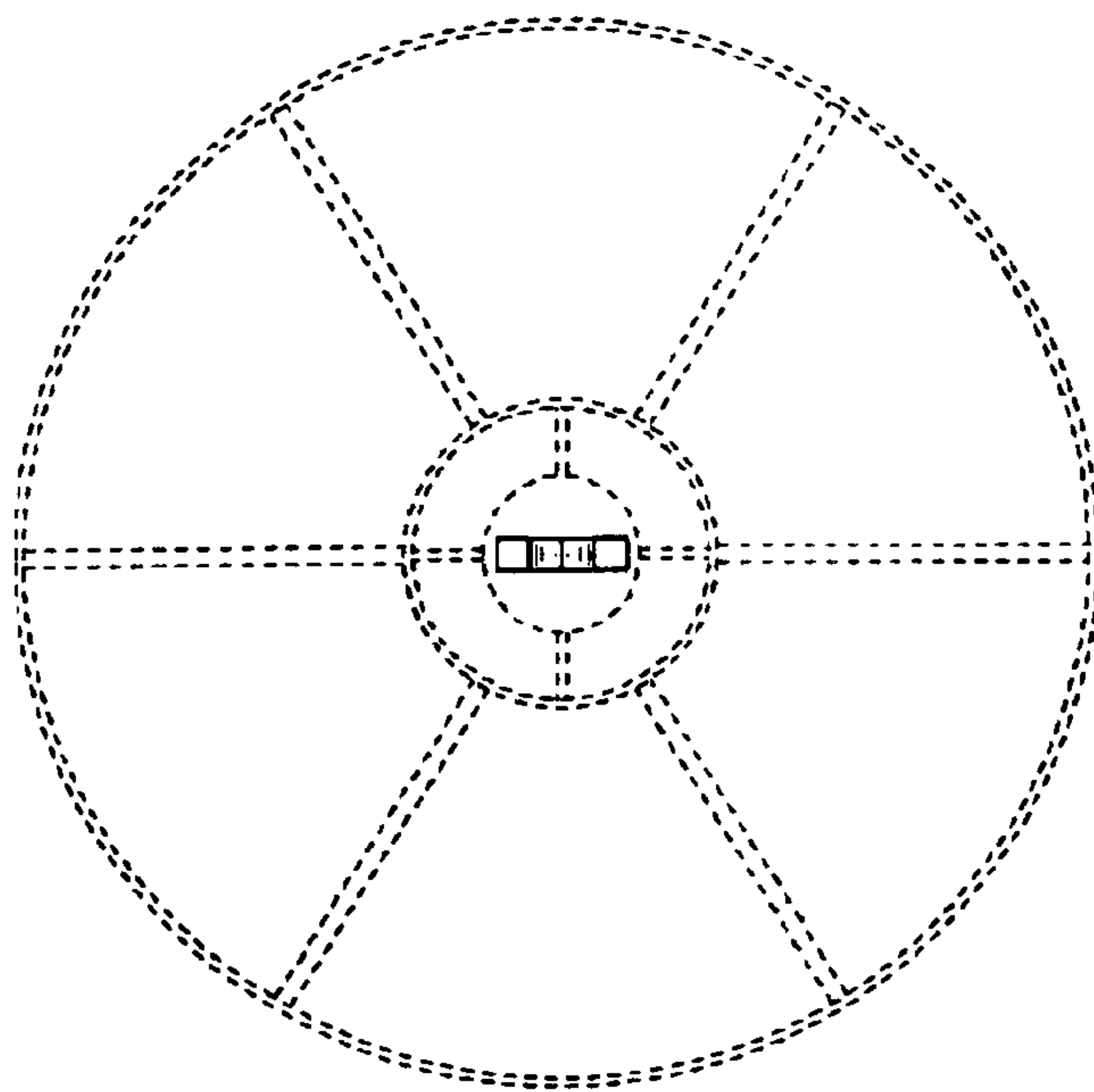


FIG. 13

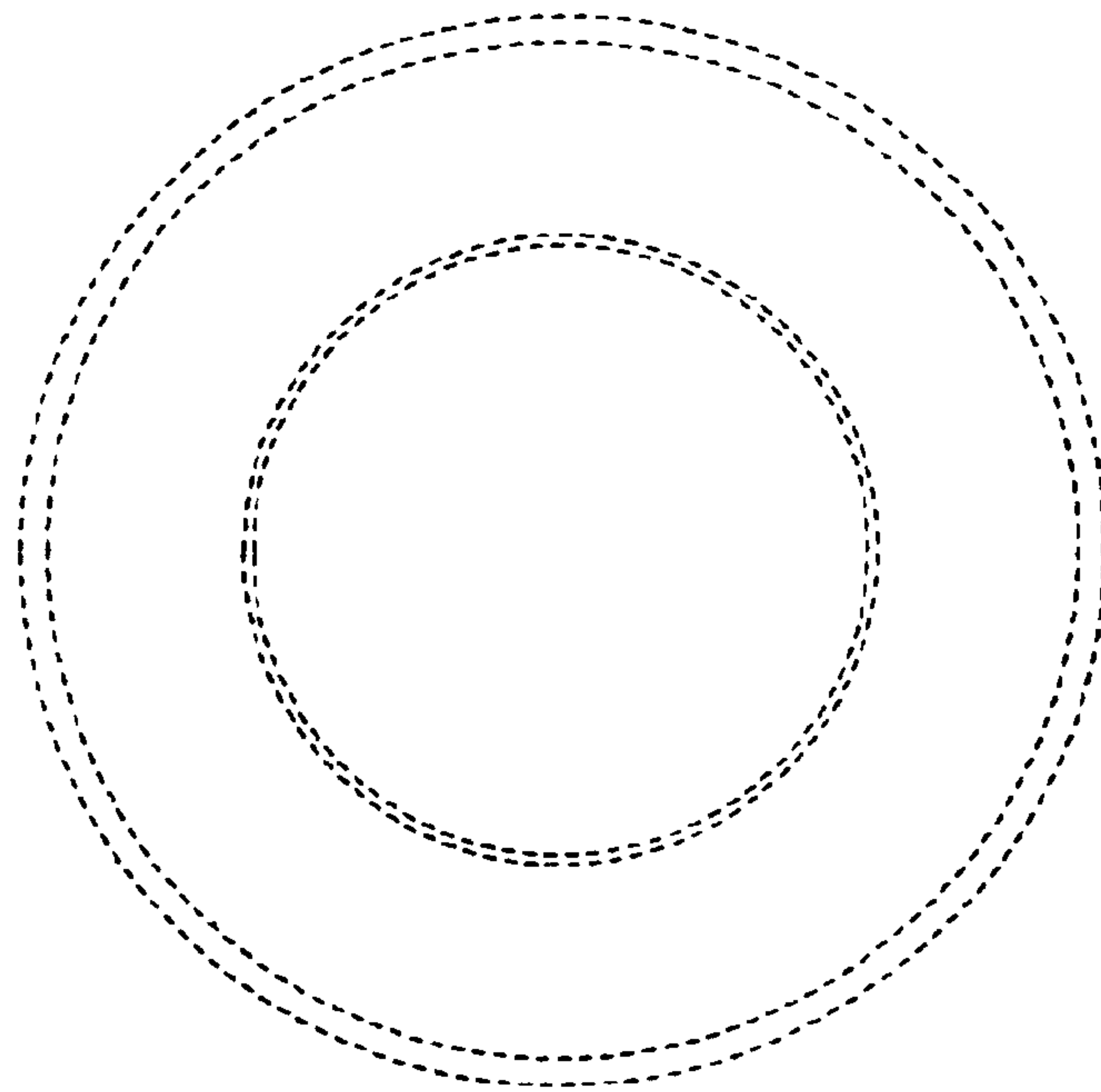


FIG. 14