



US00D517234S

(12) **United States Design Patent**  
**Sanoner**

(10) **Patent No.:** **US D517,234 S**

(45) **Date of Patent:** **\*\* Mar. 14, 2006**

(54) **OUTDOOR LIGHT**

(75) Inventor: **Hughes Marie Sanoner**, Discovery Bay (HK)

(73) Assignee: **Solar Wide Industrial Ltd.**, Tsuen Wan (CN)

(\*\*) Term: **14 Years**

(21) Appl. No.: **29/210,265**

(22) Filed: **Jul. 28, 2004**

(51) **LOC (8) Cl.** ..... **26-05**

(52) **U.S. Cl.** ..... **D26/68**

(58) **Field of Classification Search** ..... D26/67–71,  
D26/85; 362/153, 153.1, 183–185, 362, 363,  
362/431, 805

See application file for complete search history.

(56) **References Cited**

**U.S. PATENT DOCUMENTS**

1,609,944 A	*	12/1926	Healy et al.	.....	362/363
D84,914 S	*	8/1931	Allen	.....	D26/67
3,339,065 A	*	8/1967	Kelley, Jr.	.....	362/363
3,400,905 A	*	9/1968	Van Dusen, Jr.	.....	362/431
3,721,516 A	*	3/1973	Reese	.....	362/431
D284,311 S	*	6/1986	Patel	.....	D26/67
D309,954 S	*	8/1990	Chien	.....	D26/67
D329,099 S	*	9/1992	Hall et al.	.....	D26/67
D346,873 S	*	5/1994	Frost	.....	D26/67
D507,069 S	*	7/2005	Sanoner	.....	D26/68
D507,070 S	*	7/2005	Sanoner	.....	D26/68

**OTHER PUBLICATIONS**

Park Illuminator Top–Pole from Fincom EOOD. Found online at alibaba.com on Aug. 25, 2005.\*

Solar Garden Lamp (A) from Ningbo Hangshun Electrical Co., Ltd., Found online at hangshun.en.alibaba.com on Aug. 25, 2005.\*

Solar Garden Lamp (B) from Ningbo Hangshun Electrical Co., Ltd.. Found online at hangshun.en.alibaba.com on Aug. 25, 2005.\*

\* cited by examiner

Primary Examiner—Clare E Heflin

(74) *Attorney, Agent, or Firm*—Alix, Yale & Ristas, LLP

(57) **CLAIM**

The ornamental design for an outdoor light, as shown and described.

**DESCRIPTION**

FIG. 1 is a front, right side and top perspective view of an outdoor light showing my new design;

FIG. 2 is a front elevational view thereof;

FIG. 3 is a rear elevational view thereof;

FIG. 4 is a right side elevational view thereof;

FIG. 5 is a left side elevational view thereof;

FIG. 6 is a front, right side and top perspective view of the lamp portion of the outdoor light, the mounting stake being omitted for illustrative purposes only;

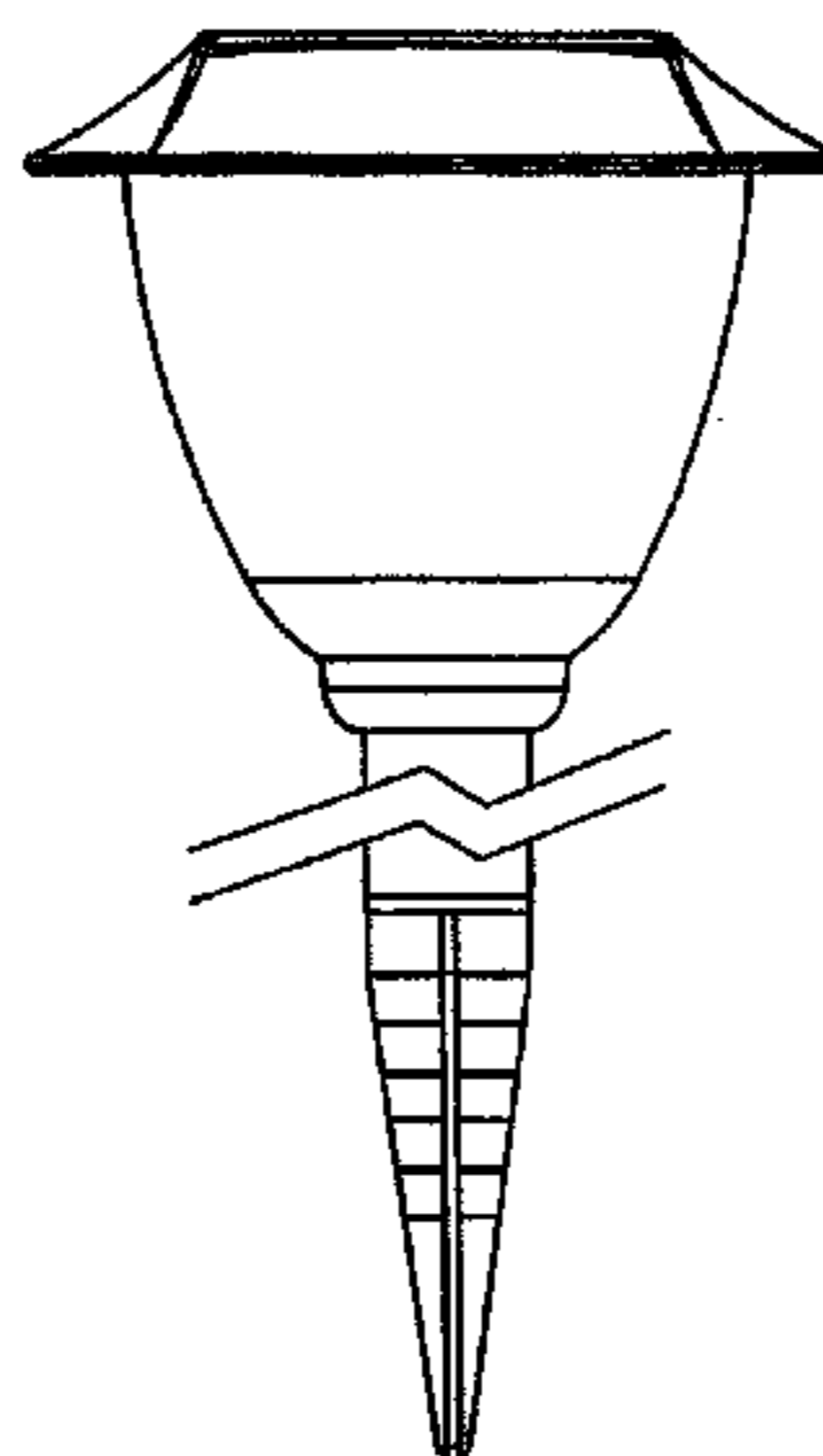
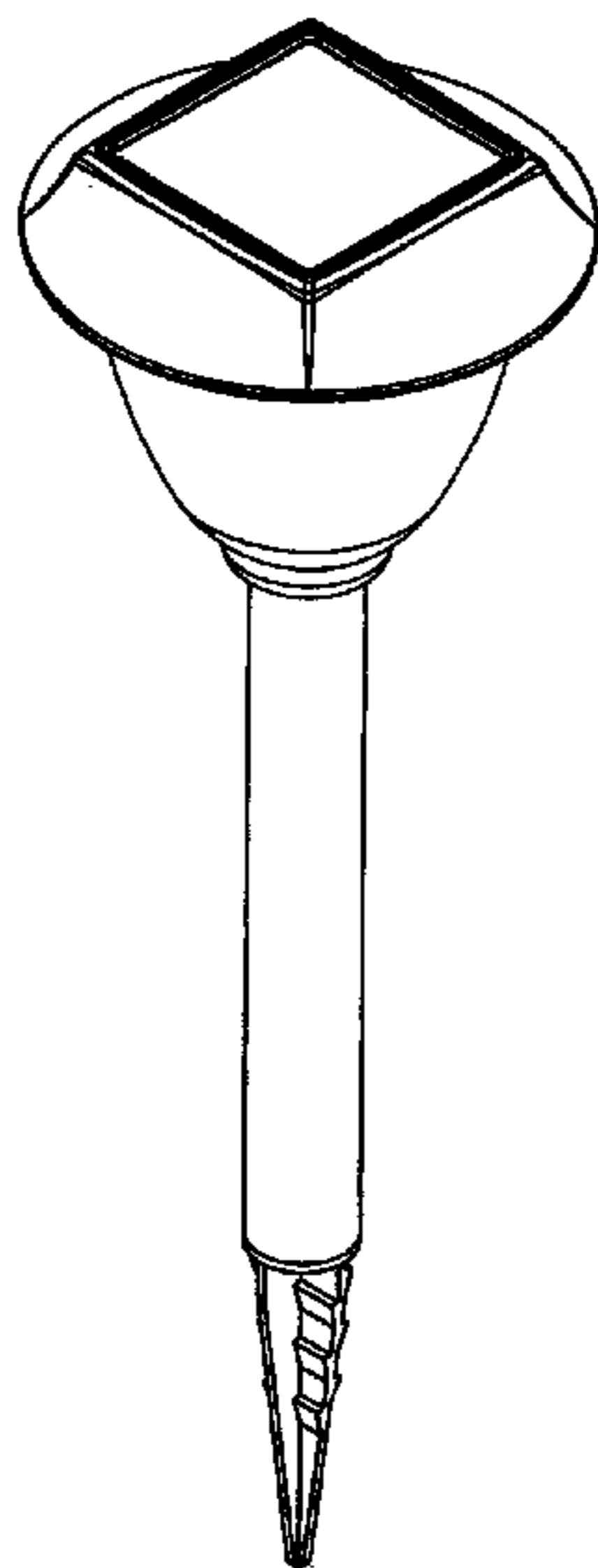
FIG. 7 is a front, right side and top perspective view of the diffuser portion of the outdoor light, the housing and mounting stake being omitted for illustrative purposes only.

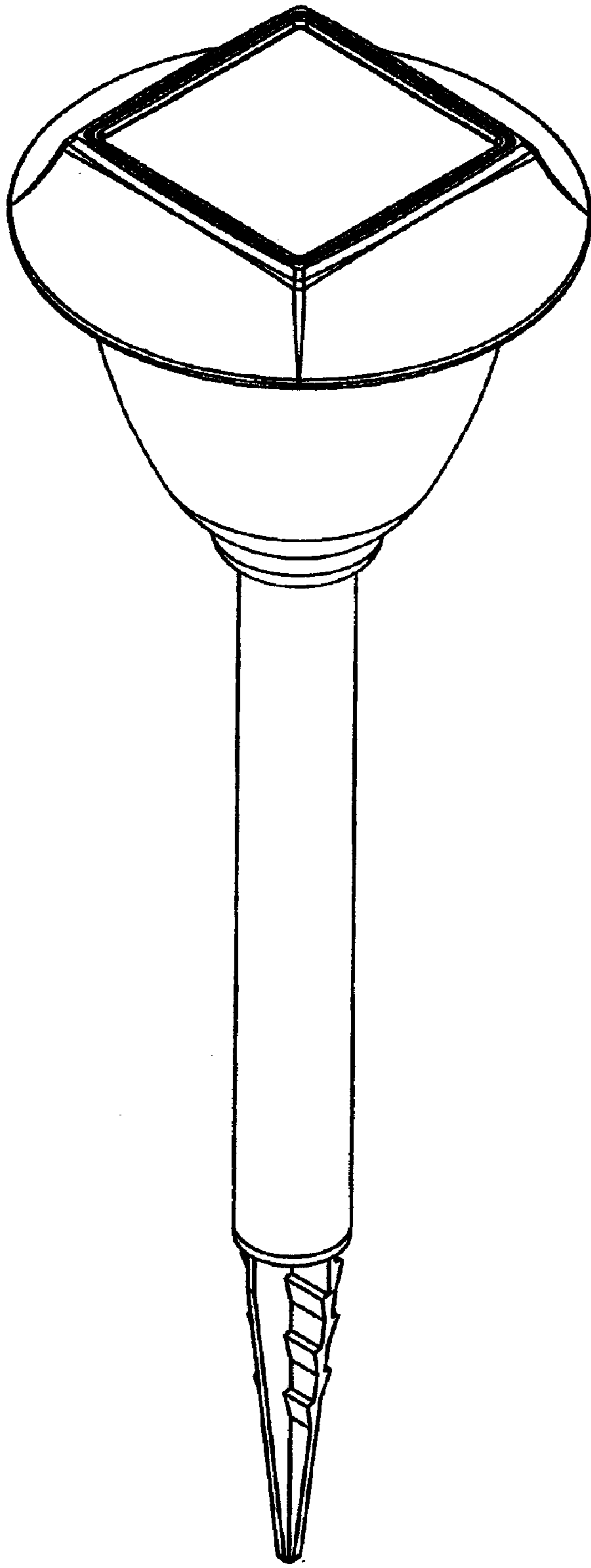
FIG. 8 is a front, right side and top perspective of the outdoor light, with a stand thereof removed; and,

FIG. 9 is a front, right side and top perspective view of a diffuser of the outdoor light.

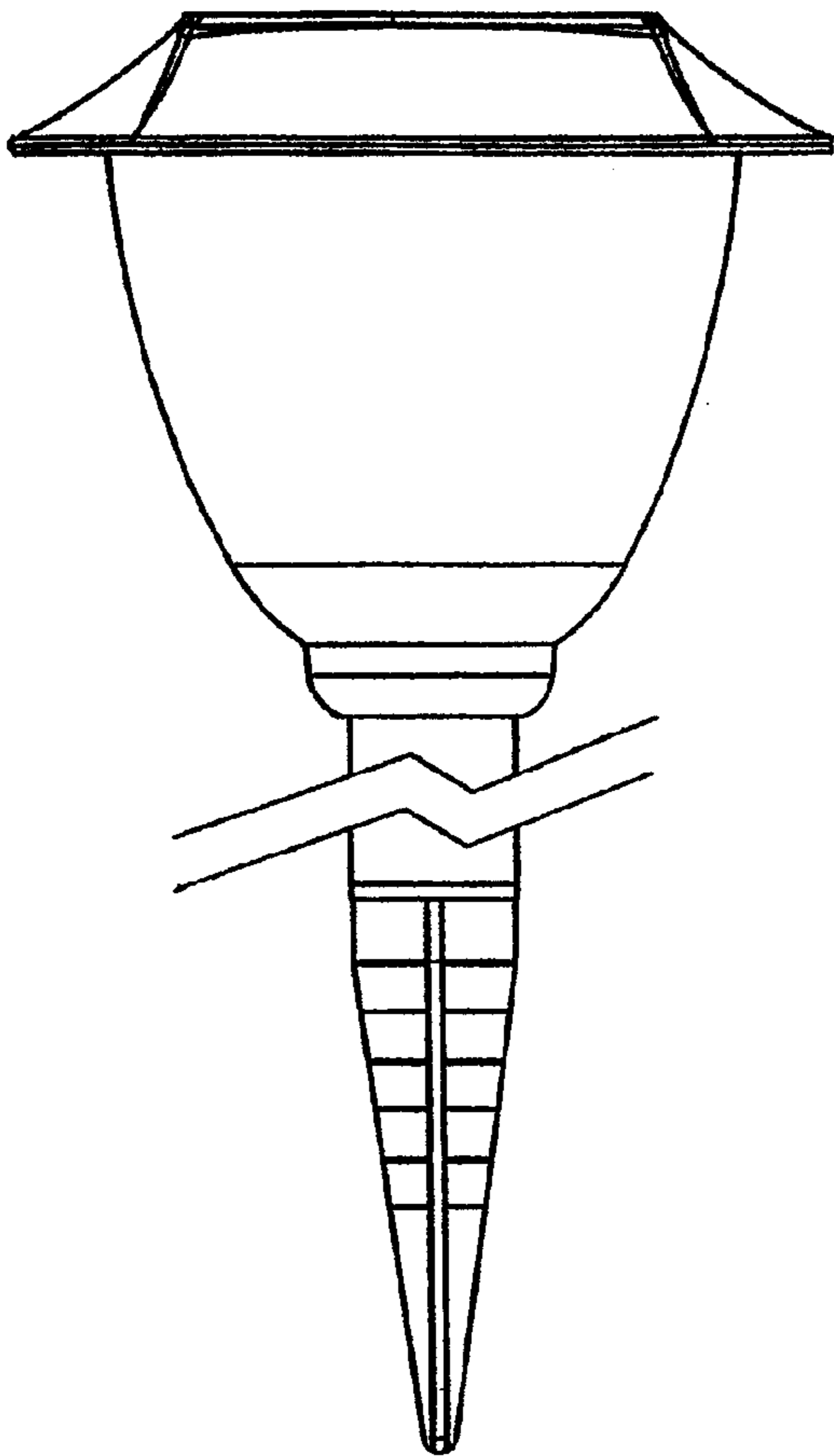
The stand is shown broken away in FIGS. 2–5 for ease of illustration only.

**1 Claim, 5 Drawing Sheets**

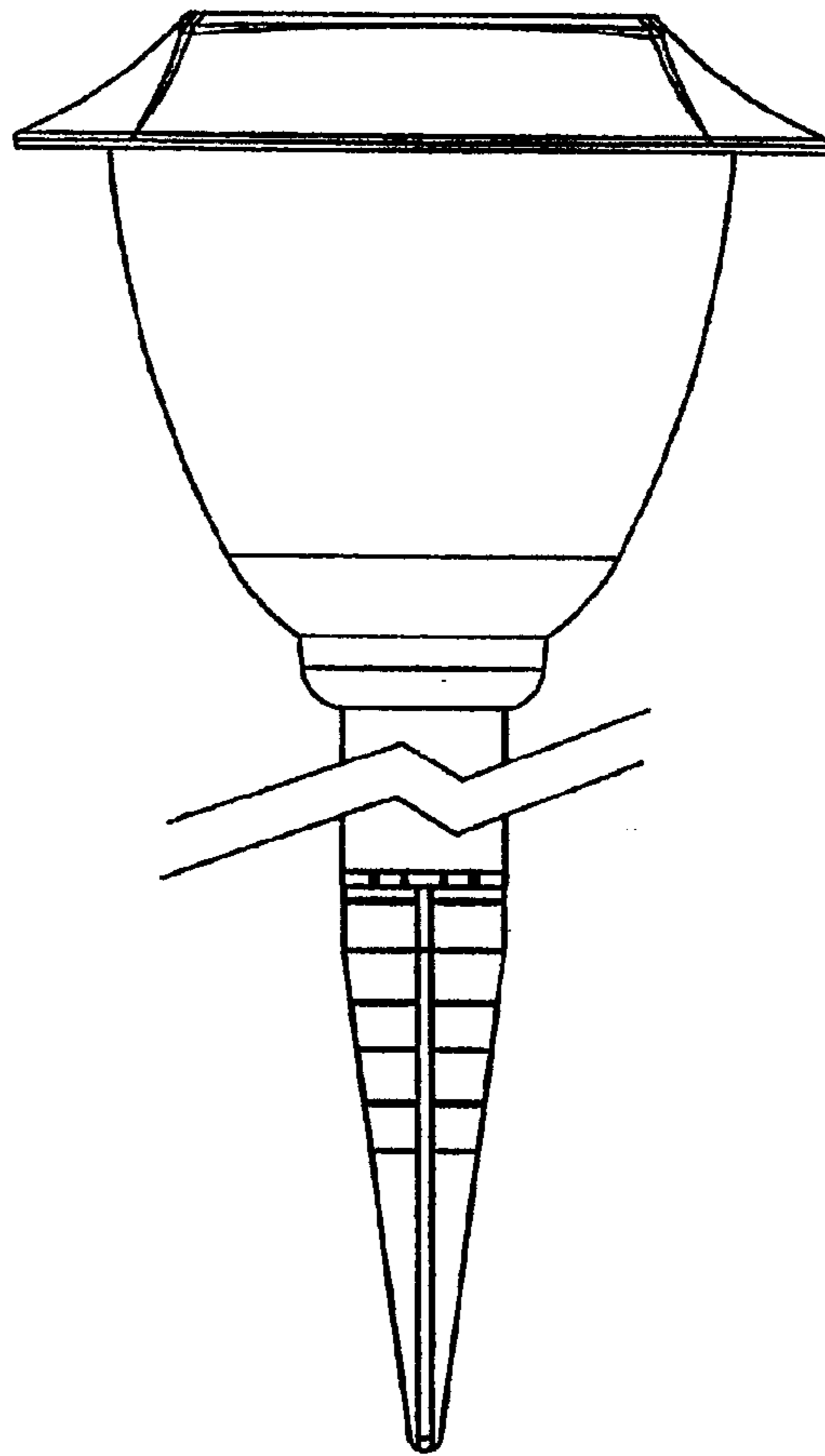




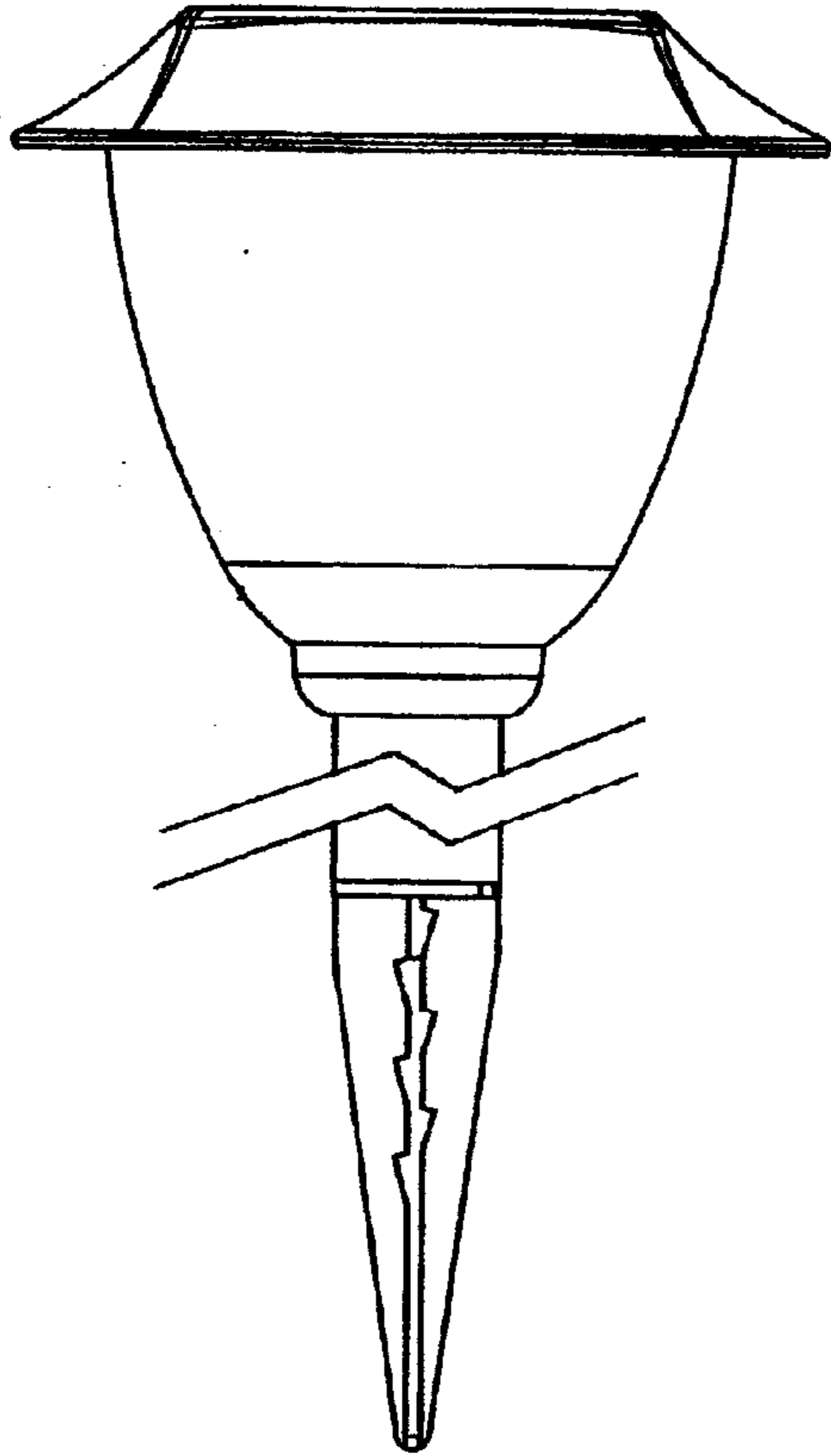
**FIG. 1**



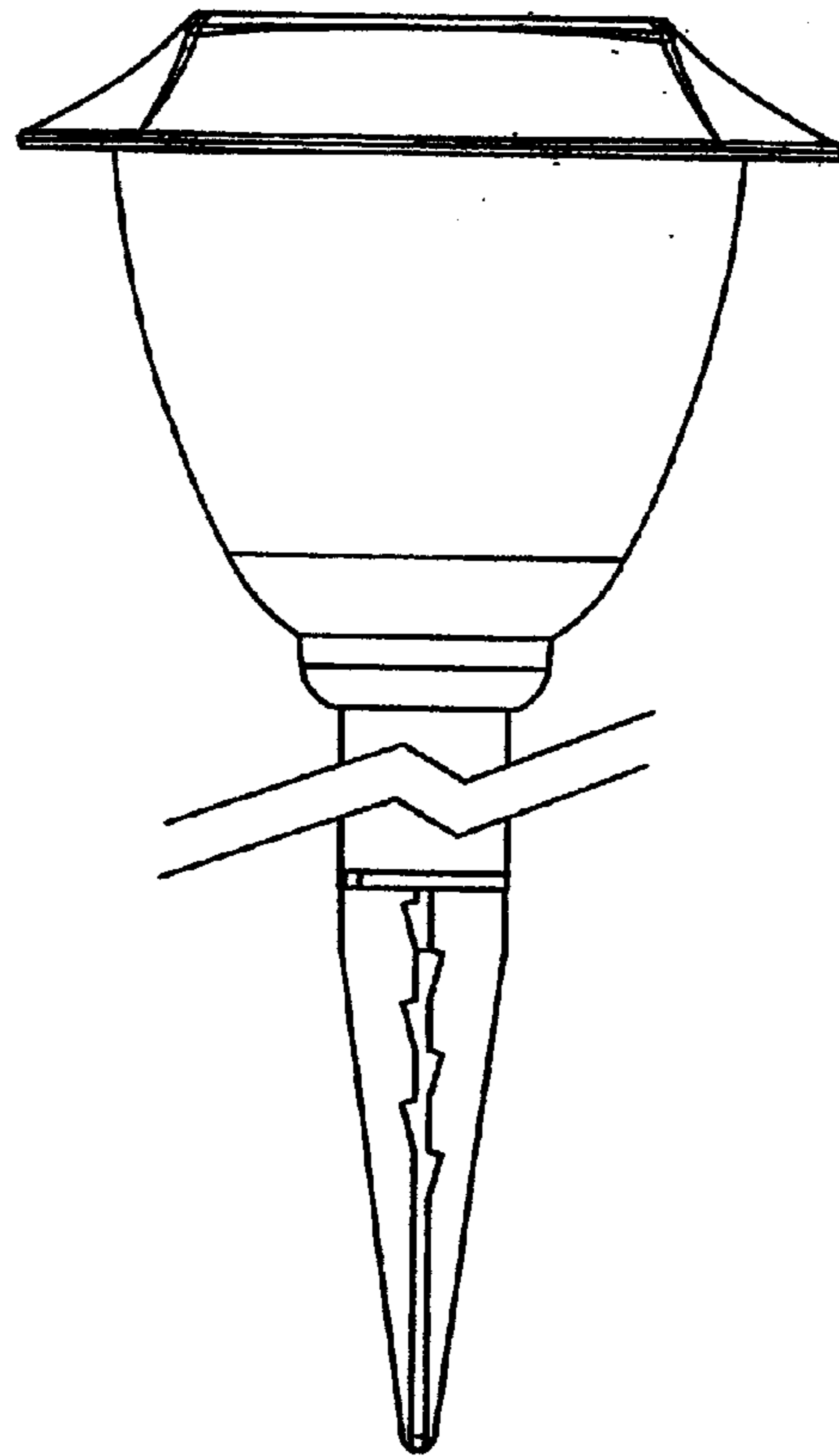
**FIG. 2**



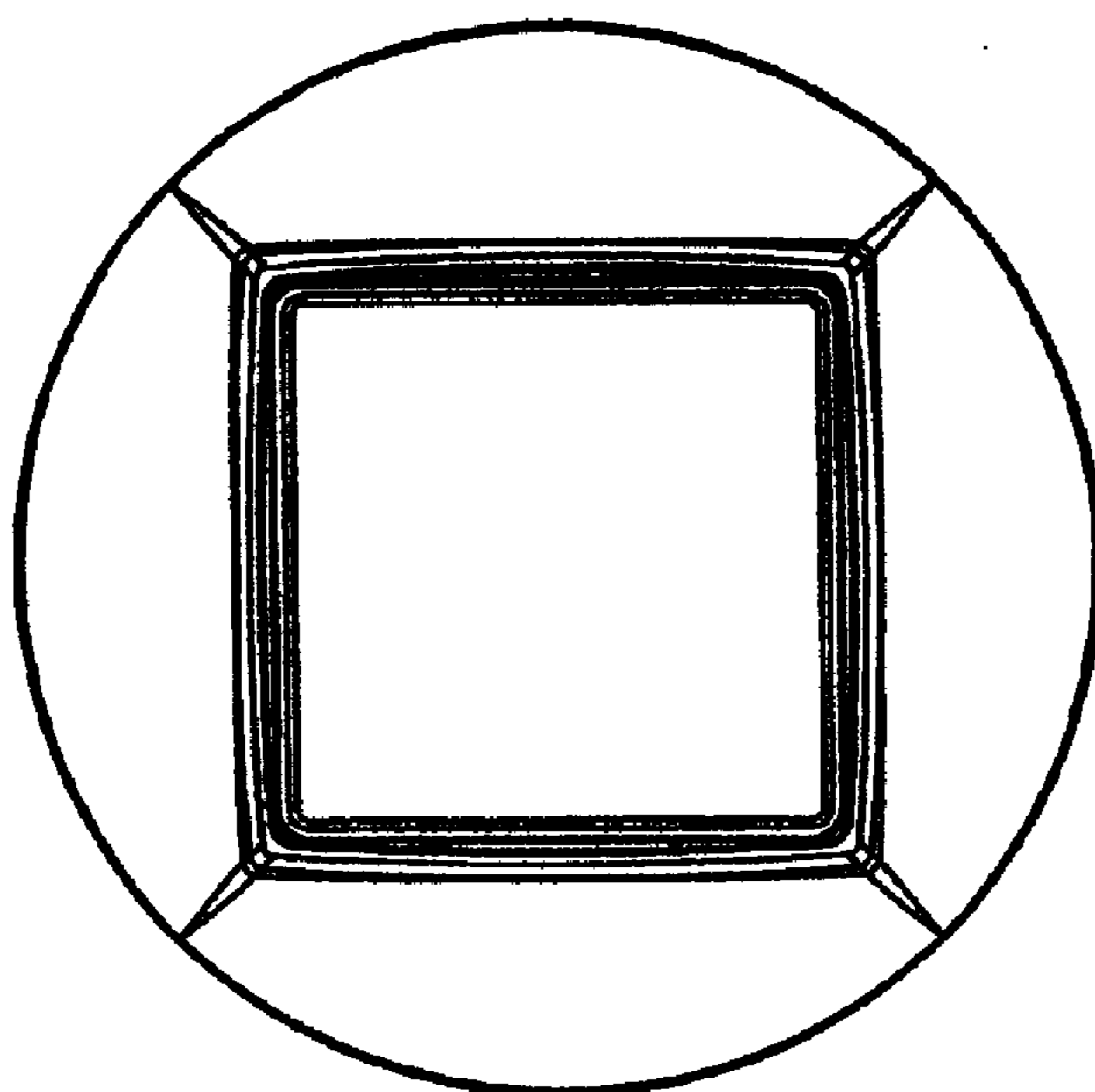
**FIG. 3**



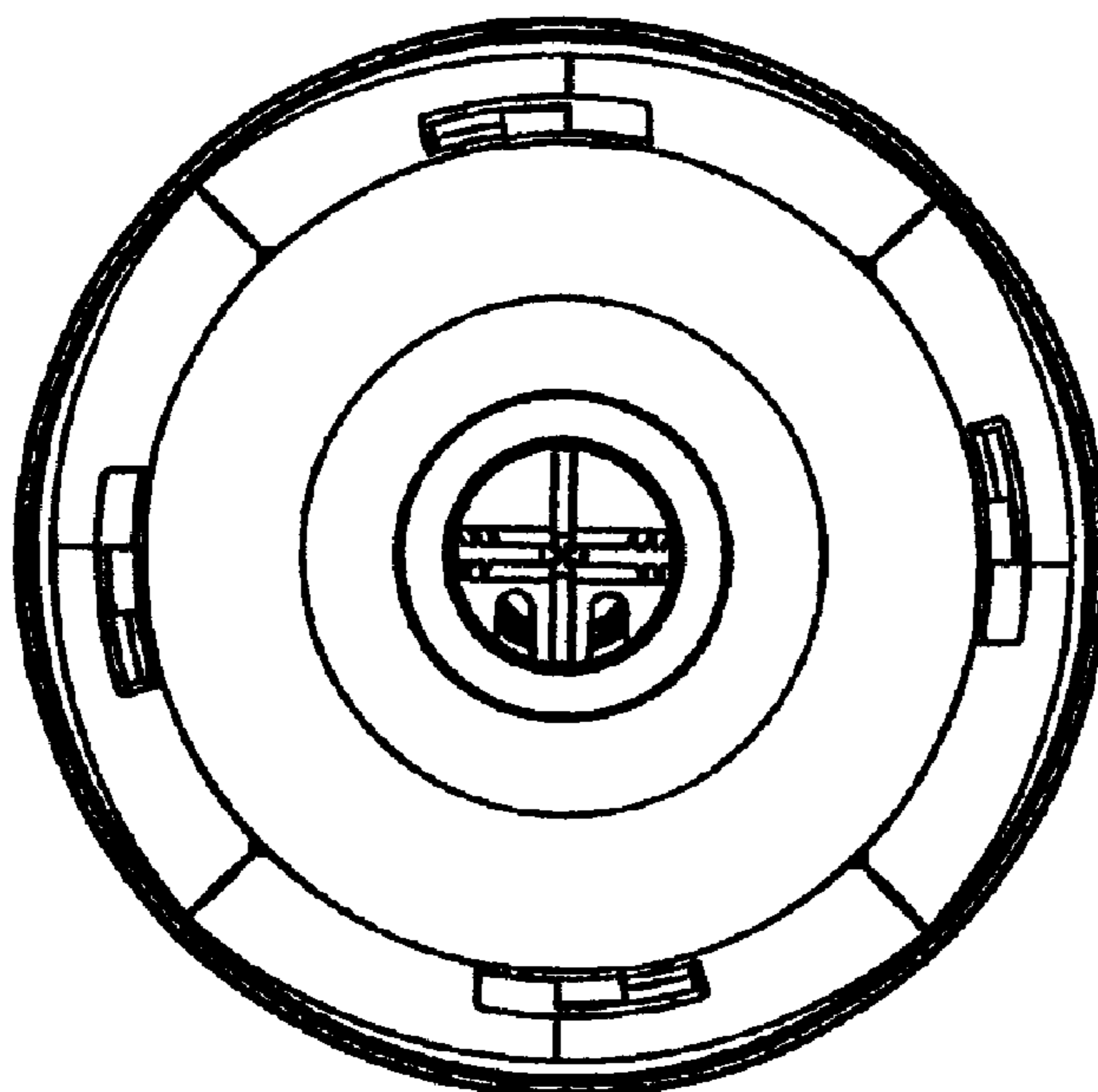
**FIG. 4**



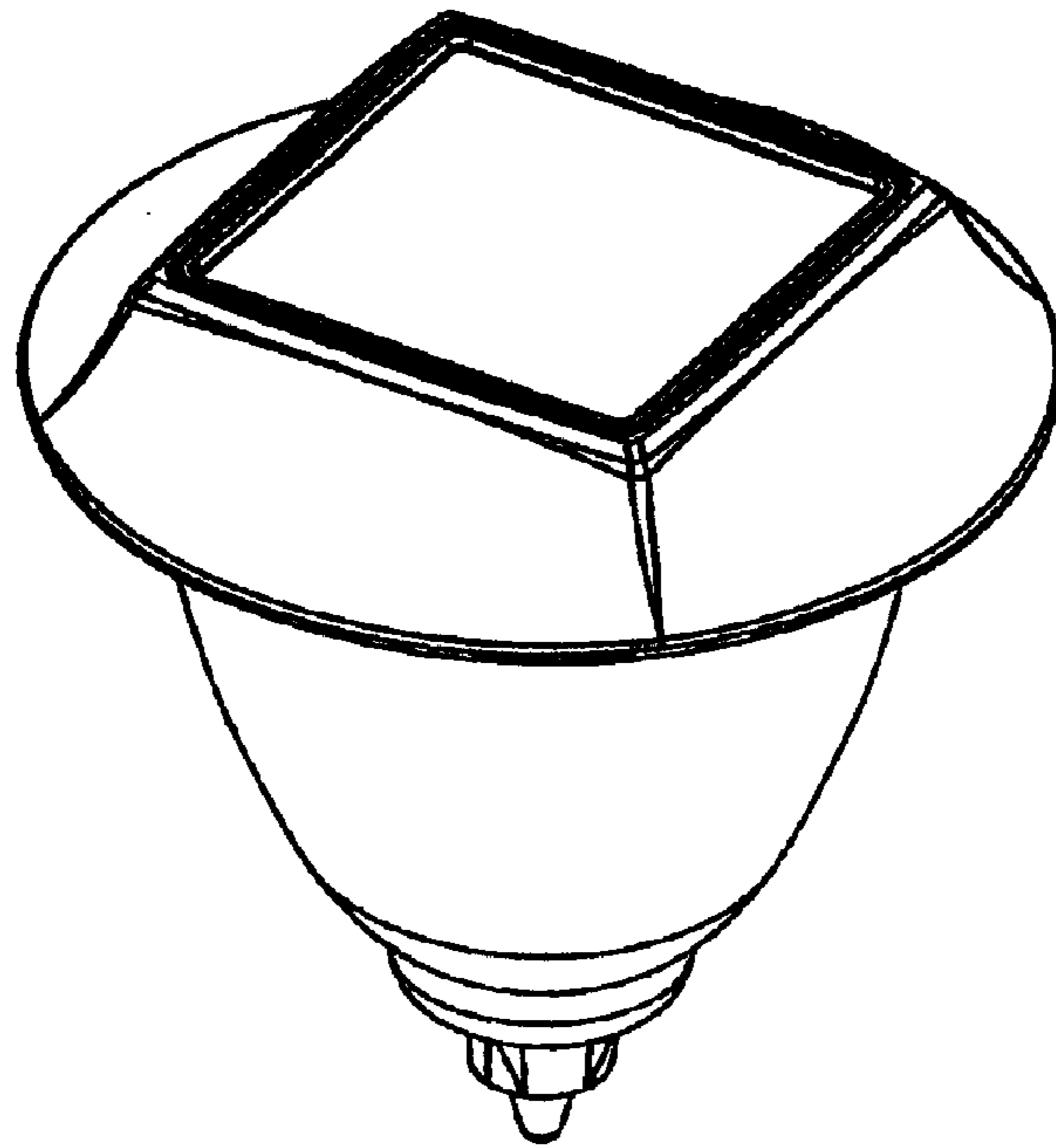
**FIG. 5**



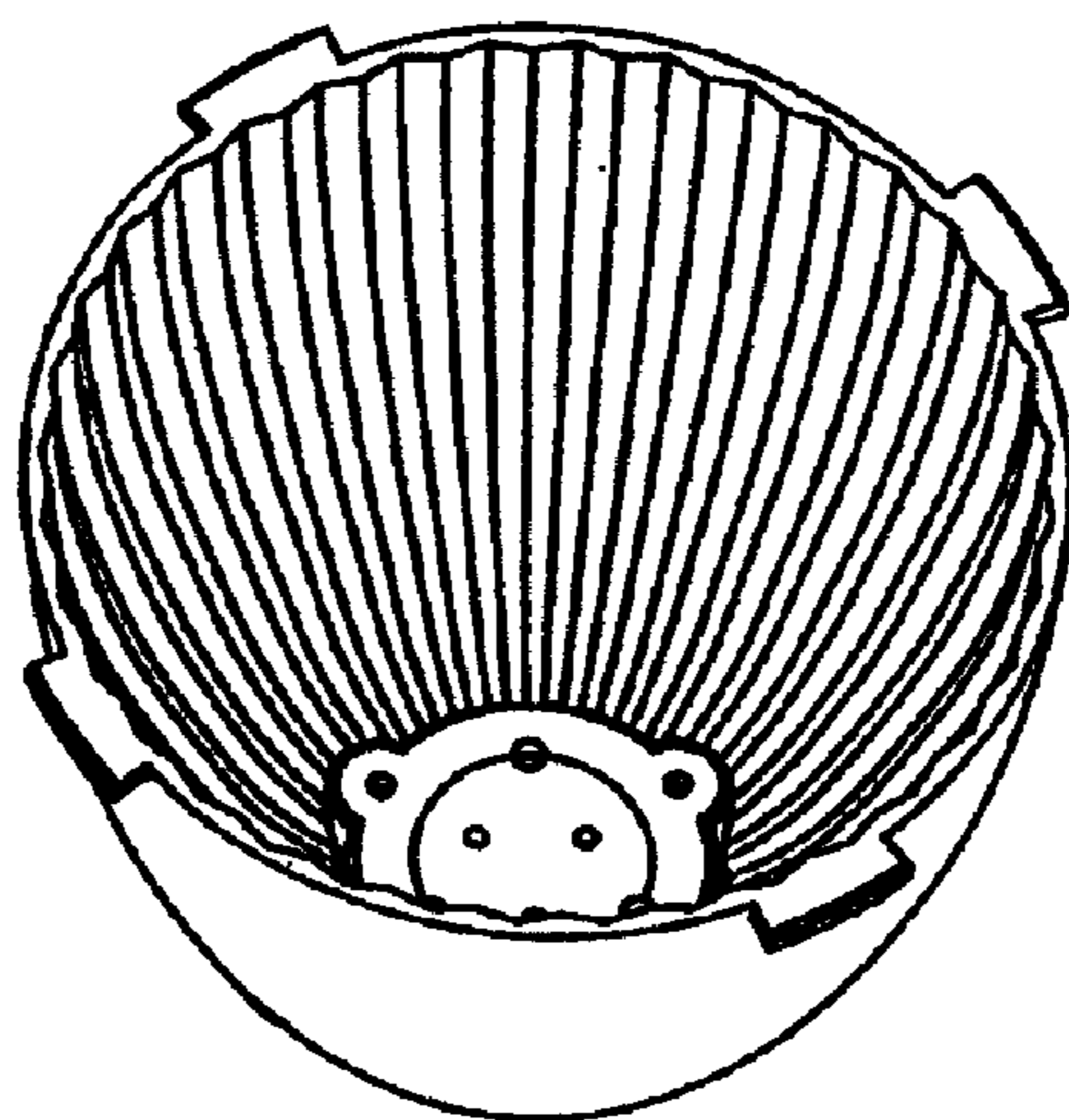
**FIG. 6**



**FIG. 7**



**FIG. 8**



**FIG. 9**