

US00D517232S

(12) **United States Design Patent**
Chen

(10) **Patent No.:** **US D517,232 S**
(45) **Date of Patent:** **** Mar. 14, 2006**

- (54) **CONCORD SOLAR LIGHT**
- (75) Inventor: **Chi-Gon Chen**, Guangzhou (CN)
- (73) Assignee: **International Development Corporation**, Roanoke, TX (US)
- (**) Term: **14 Years**
- (21) Appl. No.: **29/213,787**
- (22) Filed: **Sep. 22, 2004**
- (51) **LOC (8) Cl.** **26-05**
- (52) **U.S. Cl.** **D26/67**
- (58) **Field of Classification Search** D26/67-71,
D26/85; 362/153, 153.1, 183-185, 362, 363,
362/431, 805
See application file for complete search history.

(56) **References Cited**
U.S. PATENT DOCUMENTS

- D469,907 S * 2/2003 Chen D26/67
- D482,478 S * 11/2003 Cheong et al. D26/67

D483,895 S * 12/2003 Kuelbs et al. D26/67
* cited by examiner
Primary Examiner—Clare E Heflin

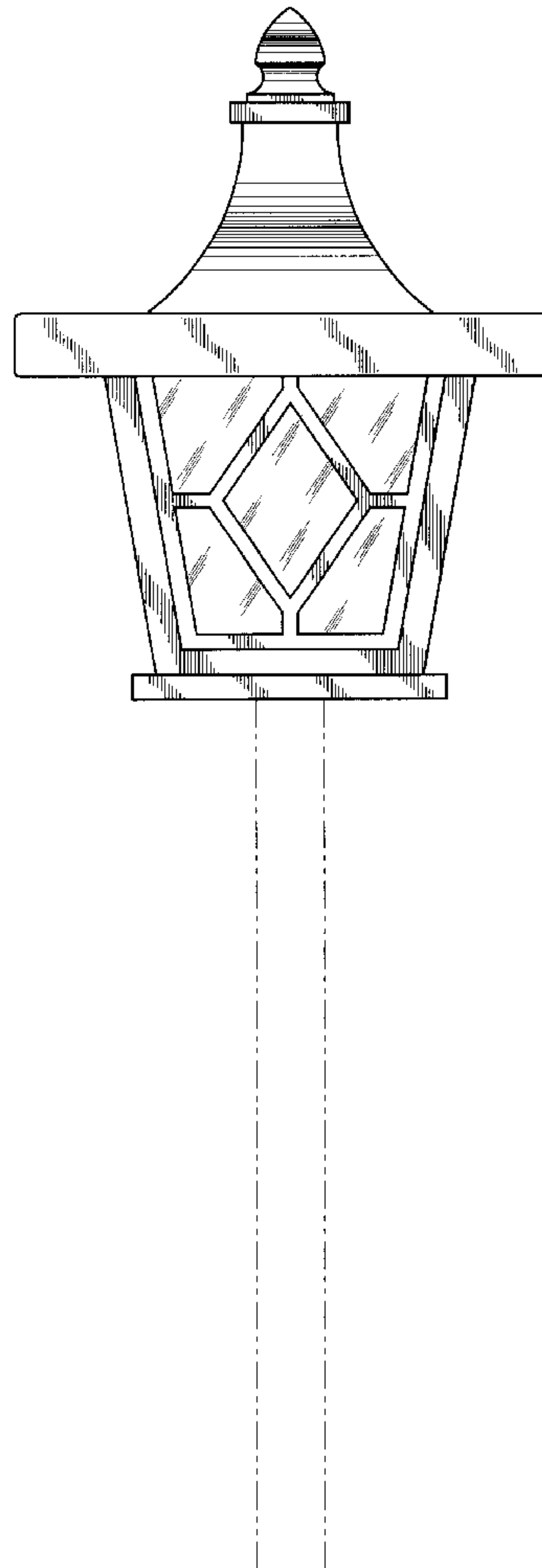
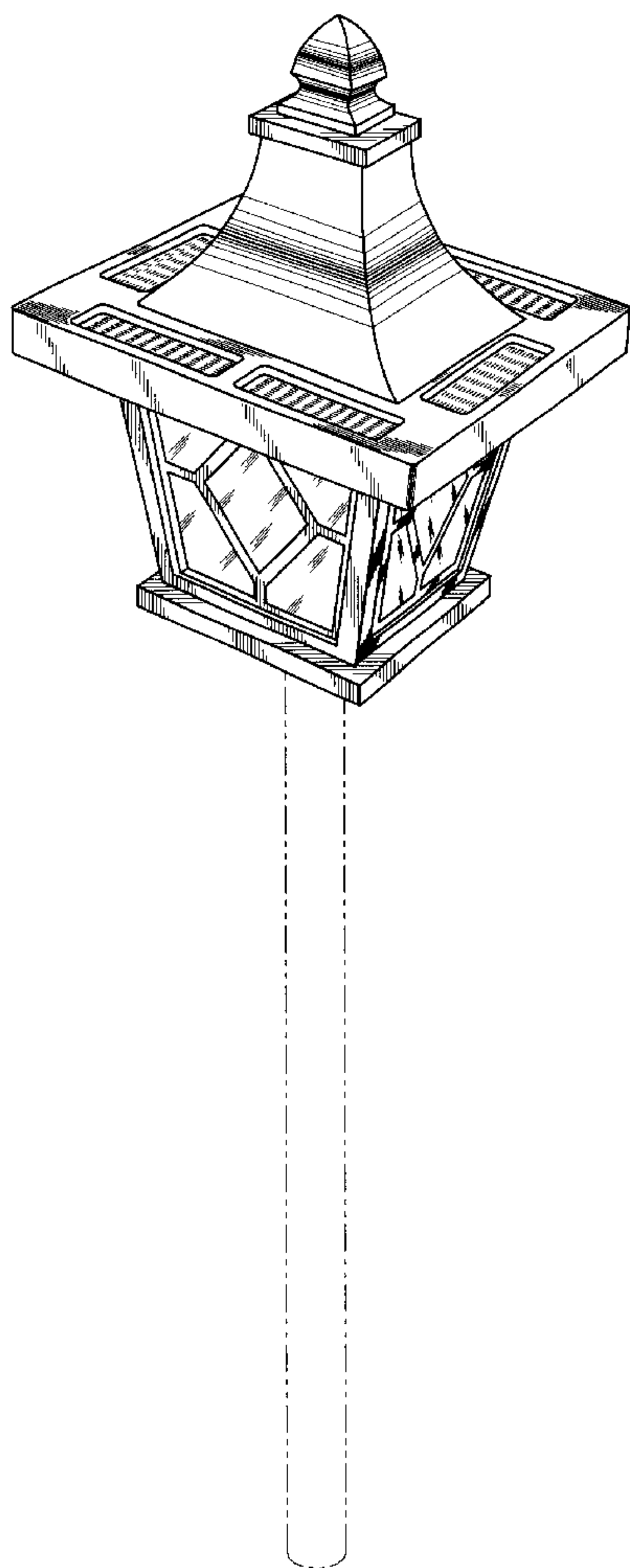
(57) **CLAIM**

The ornamental design for a concord solar light, as shown and described.

DESCRIPTION

FIG. 1 is a perspective view of a concord solar light in accordance with my invention;
FIG. 2 is a top view of the concord solar light shown in FIG. 1;
FIG. 3 is a bottom view of the concord solar light shown in FIG. 1;
FIG. 4 is a right side elevation view of the concord solar light shown in FIG. 1; and,
FIG. 5 is a front elevation view of the concord solar light shown in FIG. 1.
The broken lines shown on the drawings are for illustrative purposes only and form no part of the claimed design.

1 Claim, 2 Drawing Sheets



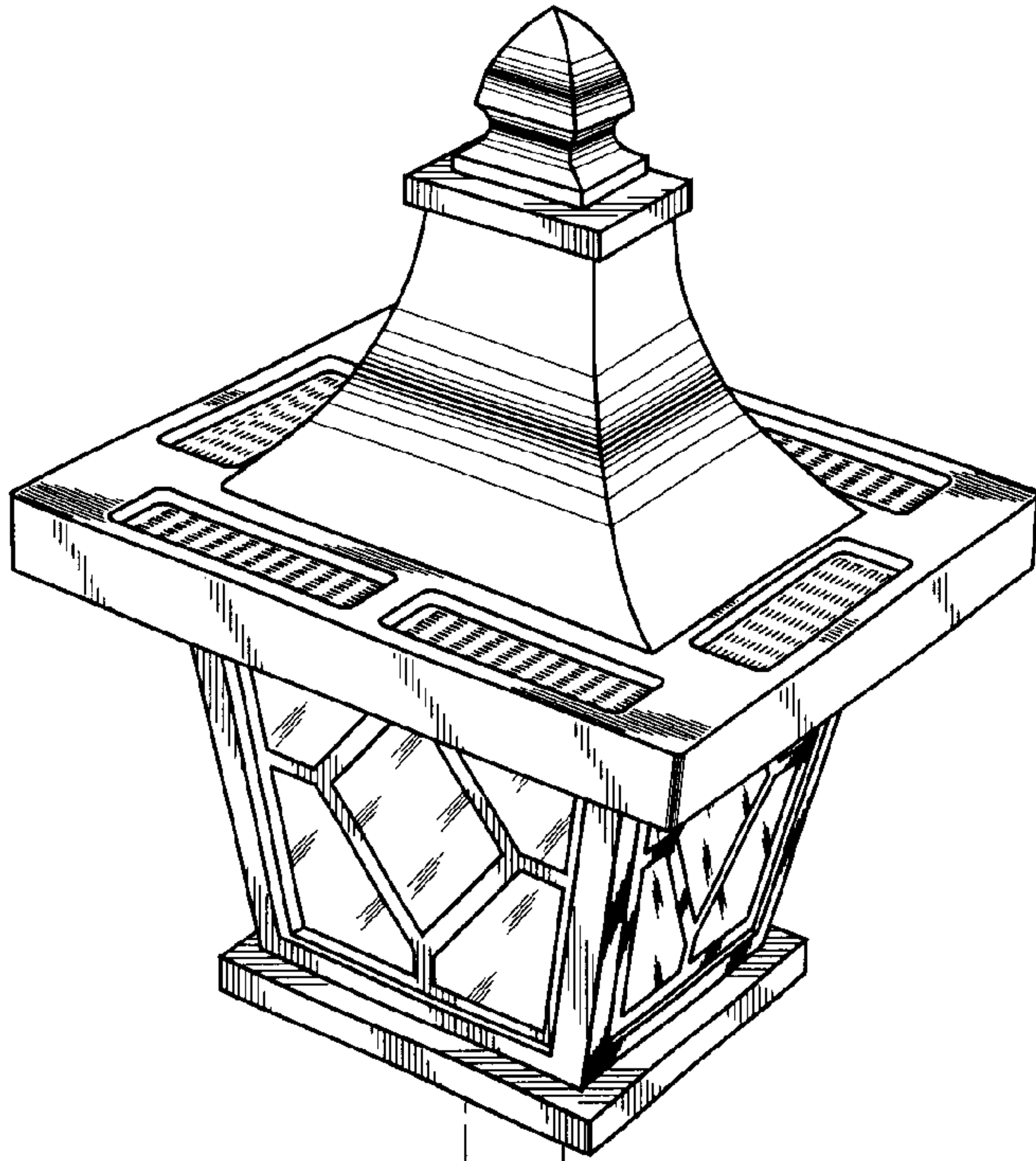


Fig.1

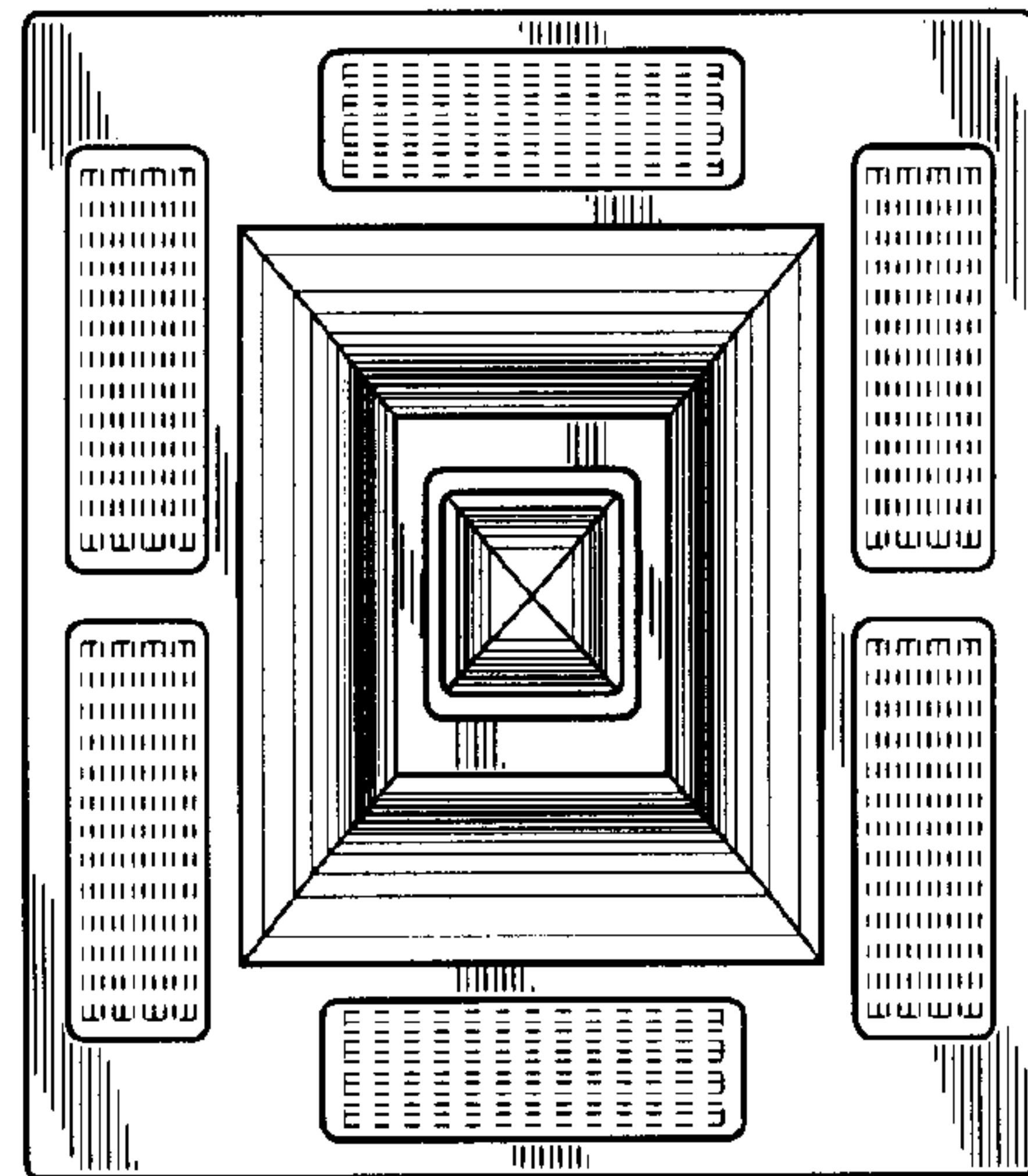


Fig.2

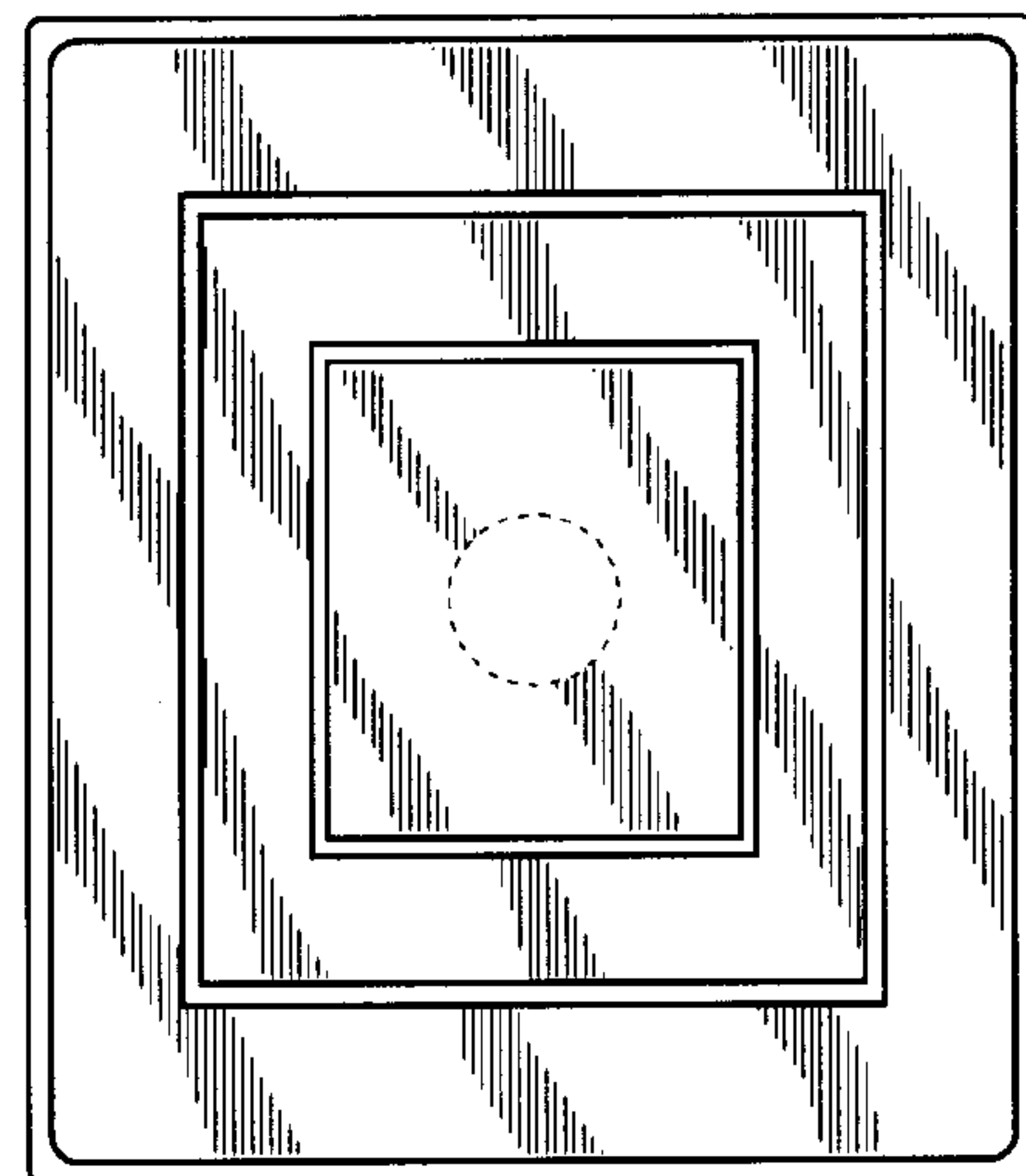


Fig.3

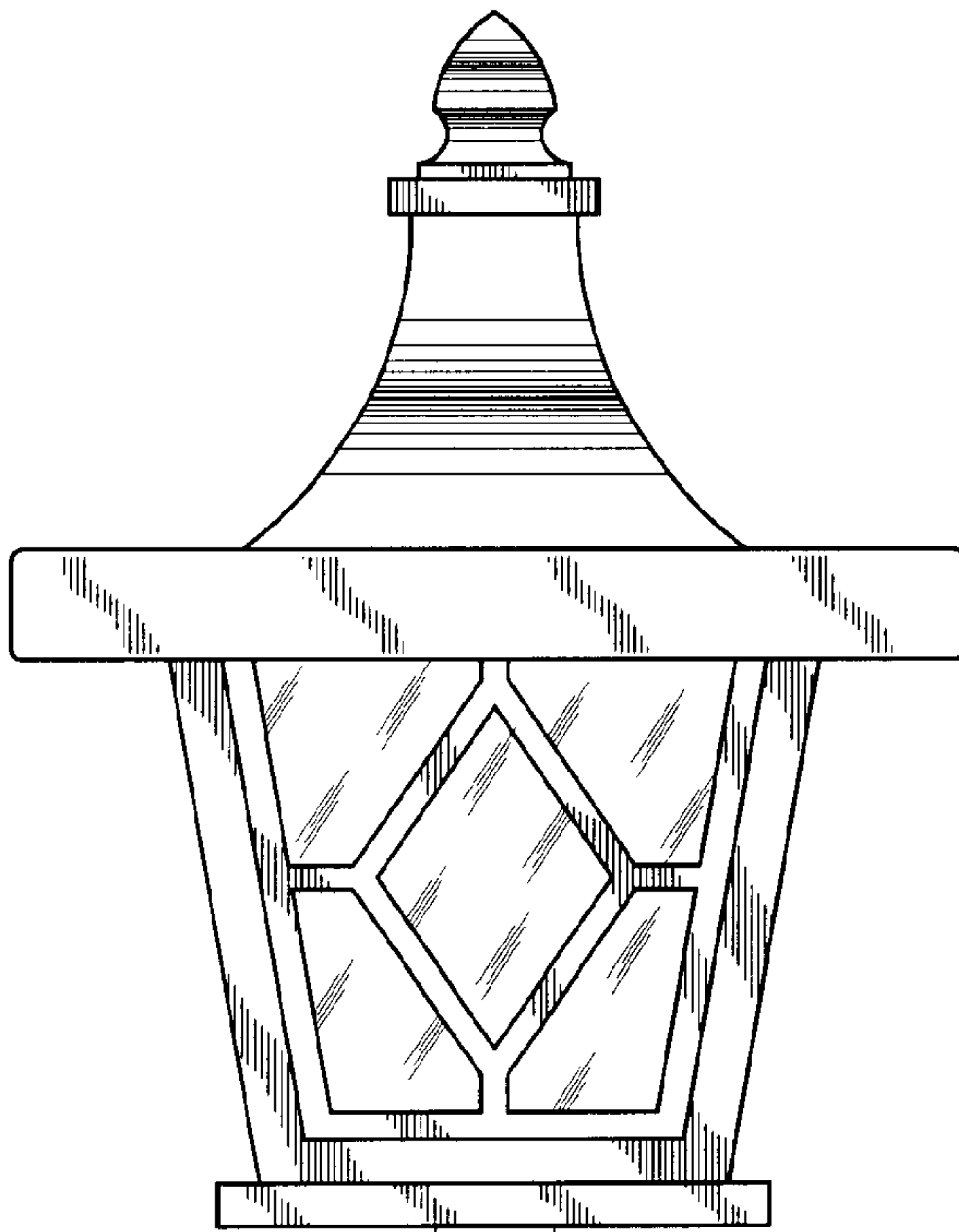


Fig.4

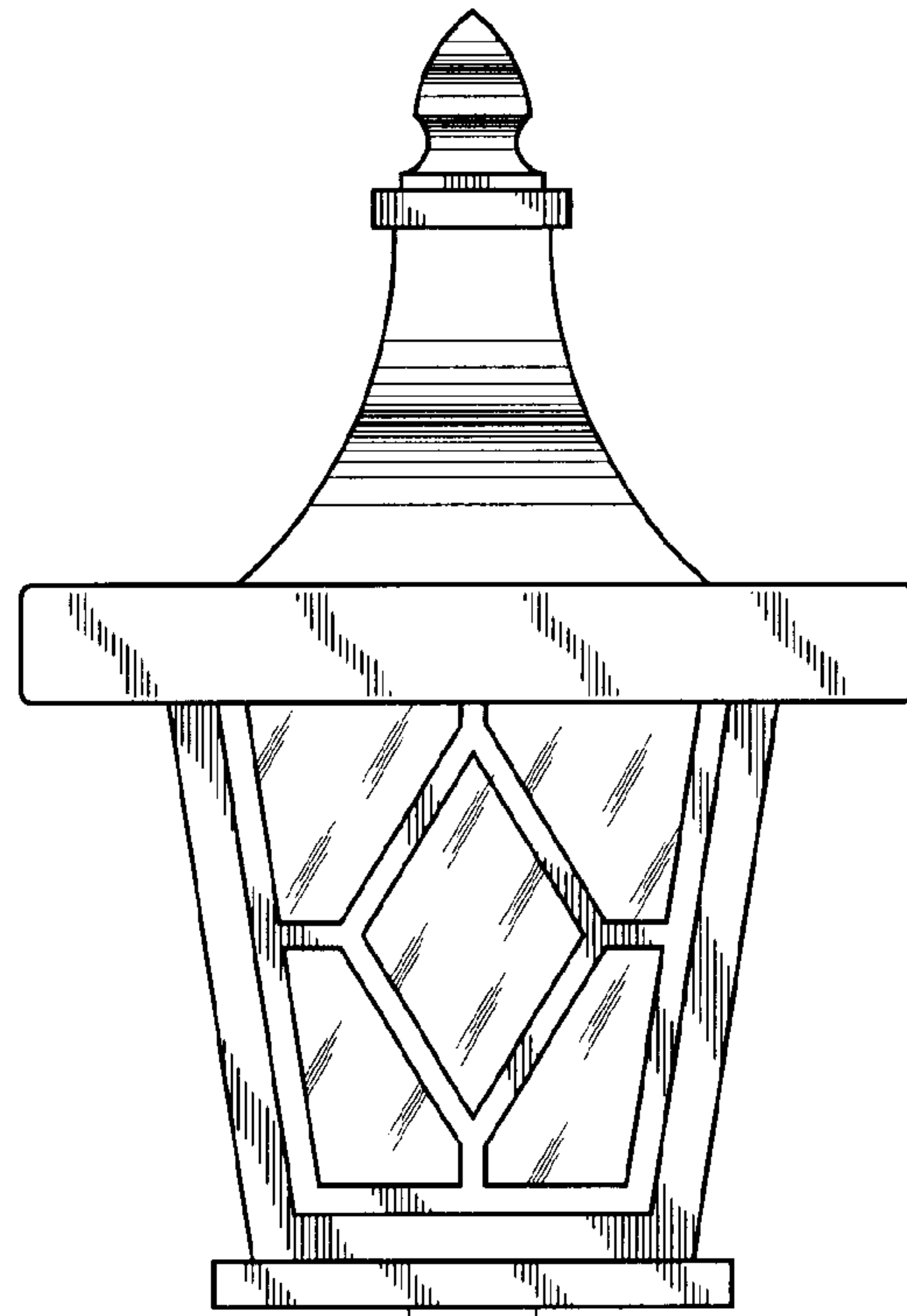


Fig.5