

US00D517230S

(12) **United States Design Patent**
Ho

(10) **Patent No.:** **US D517,230 S**
(45) **Date of Patent:** **** Mar. 14, 2006**

(54) **LIGHT EMITTING DEVICE**

(76) **Inventor:** **Ko Liang Ho**, P.O. Box 26-757, Taipei (TW), 106

(**) **Term:** **14 Years**

(21) **Appl. No.:** **29/195,587**

(22) **Filed:** **Dec. 11, 2003**

(51) **LOC (8) Cl.** **26-02**

(52) **U.S. Cl.** **D26/37**

(58) **Field of Classification Search** D26/37-50;
362/157, 158, 171-174, 183-208
See application file for complete search history.

(56) **References Cited**

U.S. PATENT DOCUMENTS

D489,469 S	*	5/2004	Liou	D26/37
D491,301 S	*	6/2004	Chen	D26/37
D498,552 S	*	11/2004	Chen	D26/37
D501,055 S	*	1/2005	Packard	D26/37

D504,529 S	*	4/2005	Vickers et al.	D26/37
D505,506 S	*	5/2005	Kolflat	D26/37

* cited by examiner

Primary Examiner—Marcus A. Jackson
(74) *Attorney, Agent, or Firm*—Rosenberg, Klein & Lee

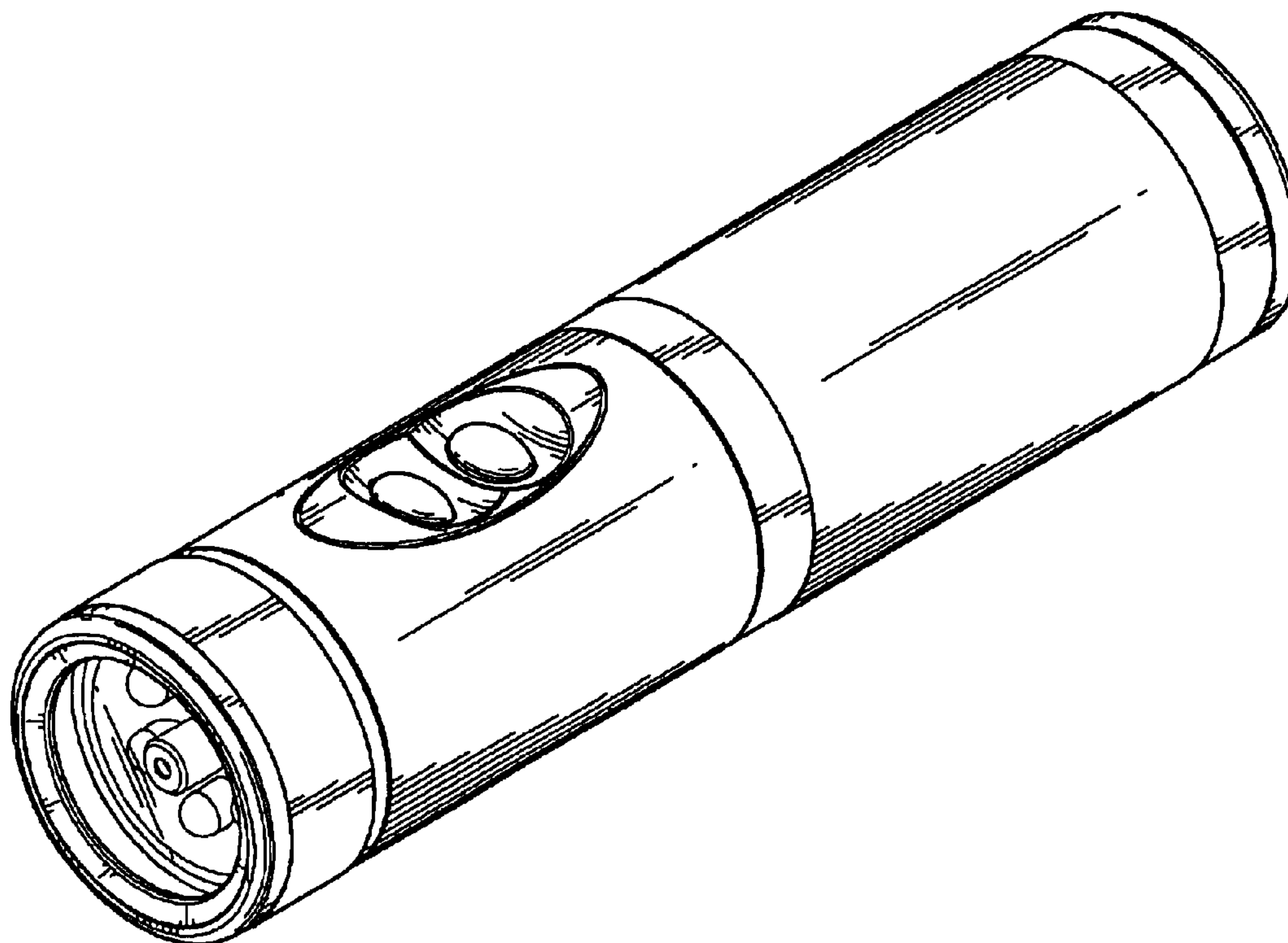
(57) **CLAIM**

The ornamental design for a “light emitting device,” as shown and described.

DESCRIPTION

FIG. 1 is a perspective view of a “light emitting device” showing my new design;
FIG. 2 is a front view thereof;
FIG. 3 is a rear view thereof;
FIG. 4 is a left side view thereof;
FIG. 5 is a right side view thereof;
FIG. 6 is a top view thereof; and,
FIG. 7 is a bottom view thereof.

1 Claim, 5 Drawing Sheets



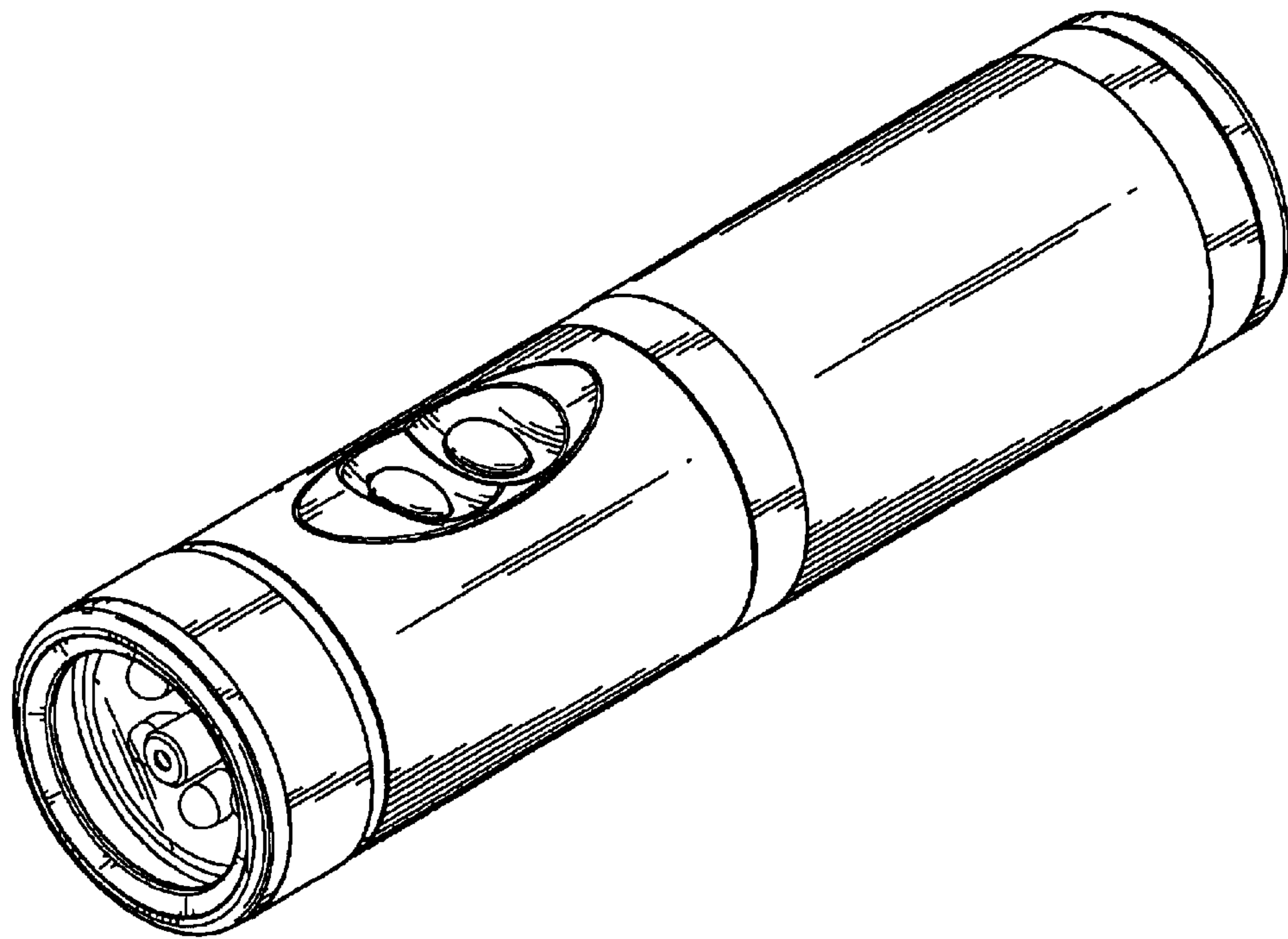


FIG. 1

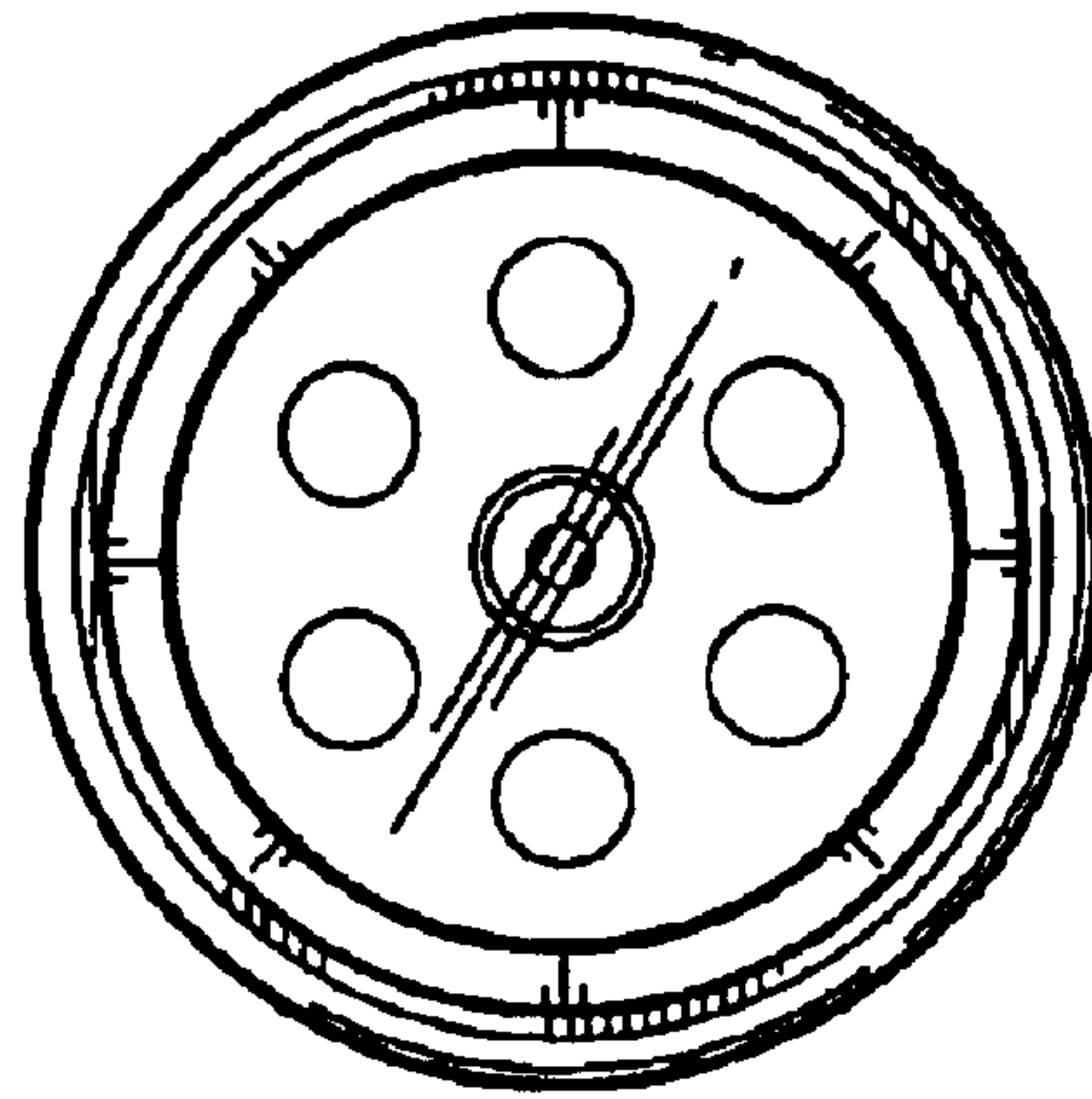


FIG. 2

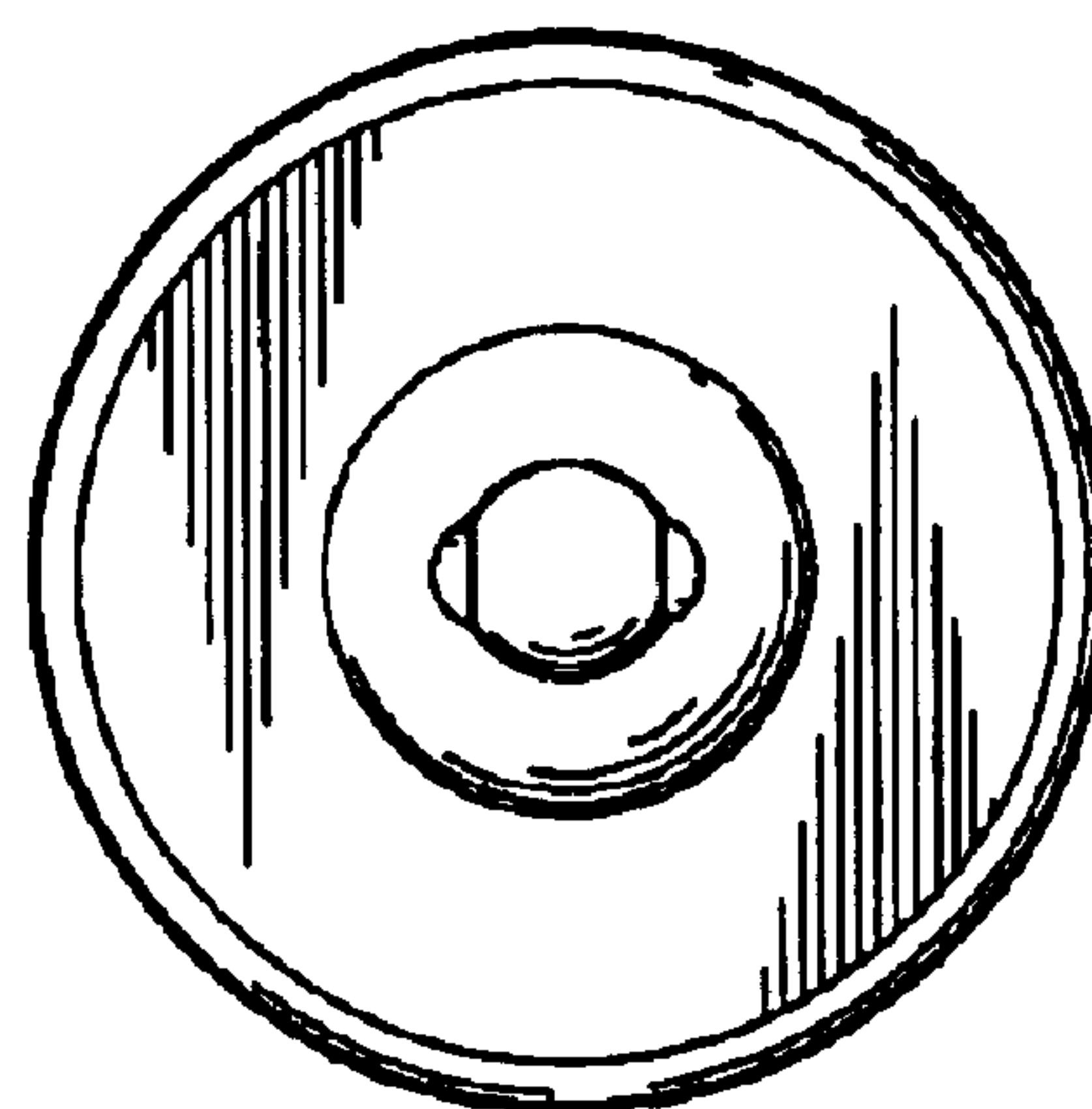


FIG. 3

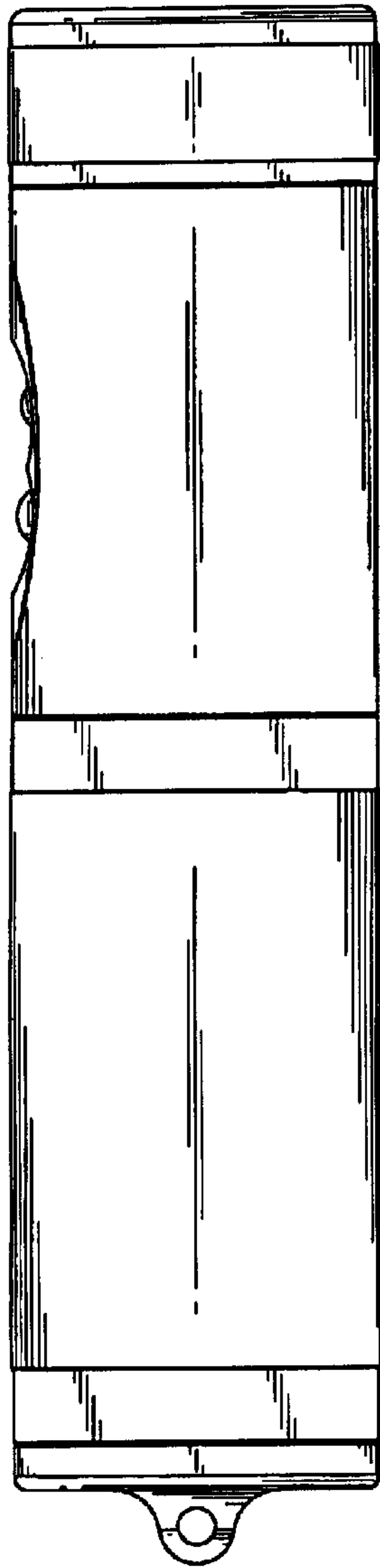


FIG. 4

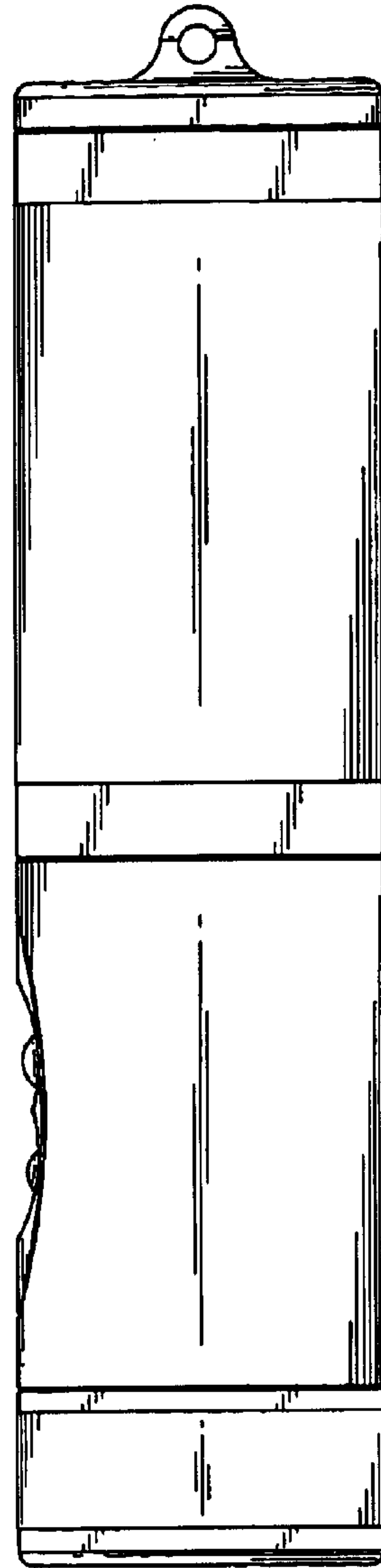


FIG. 5

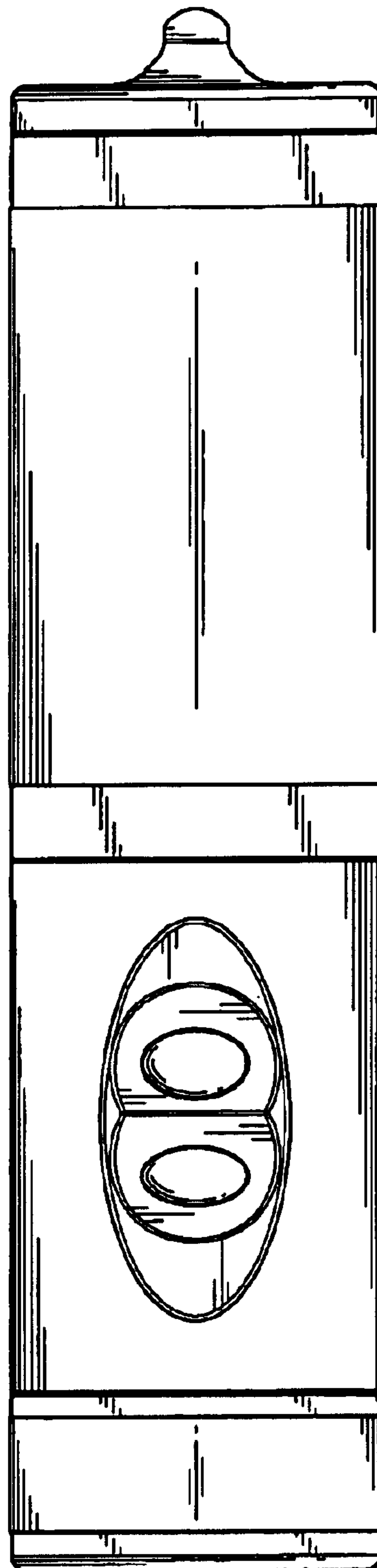


FIG. 6

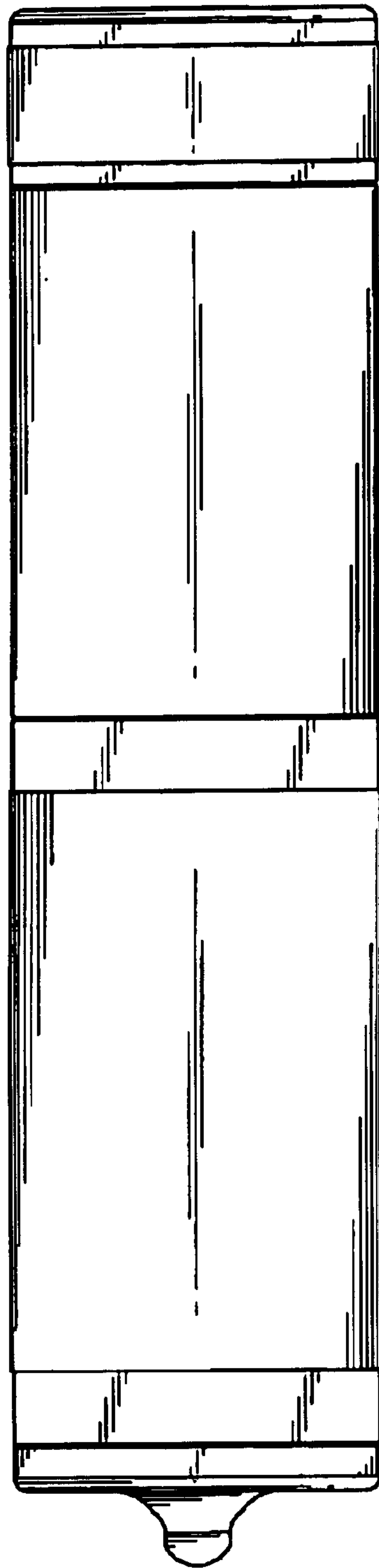


FIG. 7