

US00D517229S

(12) **United States Design Patent** (10) **Patent No.:** **US D517,229 S**
Wernimont (45) **Date of Patent:** **** Mar. 14, 2006**

(54) **FENDER MOUNT FOR A MOTORCYCLE TAIL LIGHT**

(75) Inventor: **Russel T. Wernimont**, Murrieta, CA (US)

(73) Assignees: **Russell T. Wernimont; Russ Wernimont Designs and Consulting LLP**

(**) Term: **14 Years**

(21) Appl. No.: **29/212,310**

(22) Filed: **Aug. 30, 2004**

(51) **LOC (8) Cl.** **26-04**

(52) **U.S. Cl.** **D26/31**

(58) **Field of Classification Search** D12/28-36, D12/110, 114, 193, 223; 40/200-210; D20/13; 280/288.4; 362/473-476, 485-487, 459-468; 180/219; D6/300-302; D26/28-38

See application file for complete search history.

(56) **References Cited**

U.S. PATENT DOCUMENTS

D413,174 S * 8/1999 Mayer et al. D26/28

D506,845 S * 6/2005 Wernimont D26/31

OTHER PUBLICATIONS

Custom Chrome 2001, license frames on pp. 5.32 and 5.33.*

* cited by examiner

Primary Examiner—Alan P. Douglas

Assistant Examiner—Linda Brooks

(74) *Attorney, Agent, or Firm*—Westman, Champlin & Kelly, P.A.

(57) **CLAIM**

The ornamental design for a fender mount for a motorcycle tail light, as shown and described.

DESCRIPTION

FIG. 1 is a perspective view of a fender mount for a motorcycle tail light embodying my new design as viewed from a rear of a motorcycle;

FIG. 2 is a top plan view thereof;

FIG. 3 is an elevational view thereof as viewed when detached from a rear of a motorcycle;

FIG. 4 is a first side view thereof;

FIG. 5 is a second opposite side view thereof;

FIG. 6 is an elevational view thereof as viewed from a side opposite from FIG. 3;

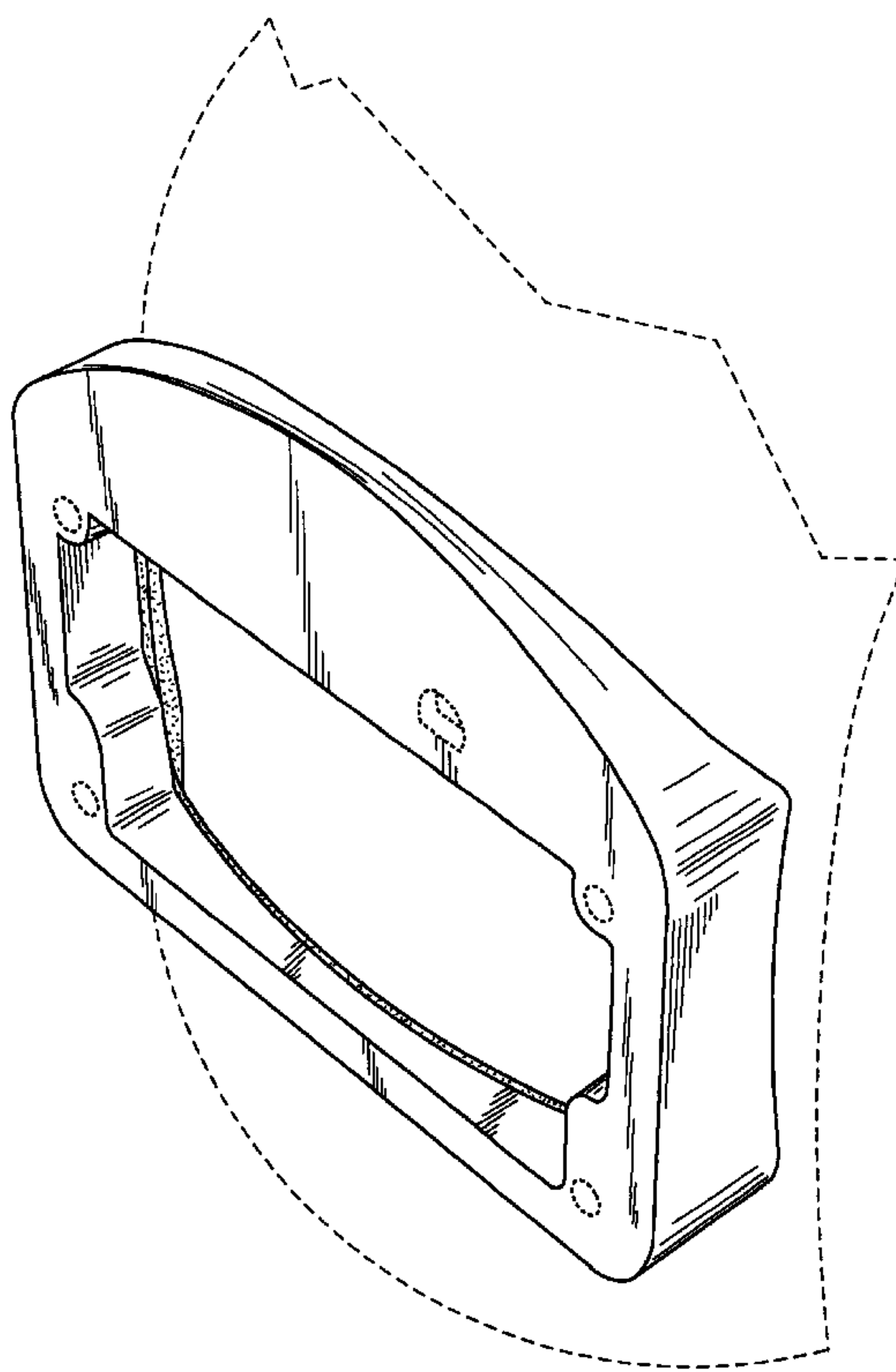
FIG. 7 is a bottom view thereof;

FIG. 8 is a first side view thereof with a tail light and license frame shown in dotted lines; and,

FIG. 9 is a bottom plan view thereof with a tail light and license frame shown in dotted lines. The dotted line representations form no part of the claimed design.

The broken line boundaries immediately adjacent the shaded area in FIG. 1 and which are also shown in FIGS. 3-6 without immediately adjacent surface shading, form no part of the claim design.

1 Claim, 7 Drawing Sheets



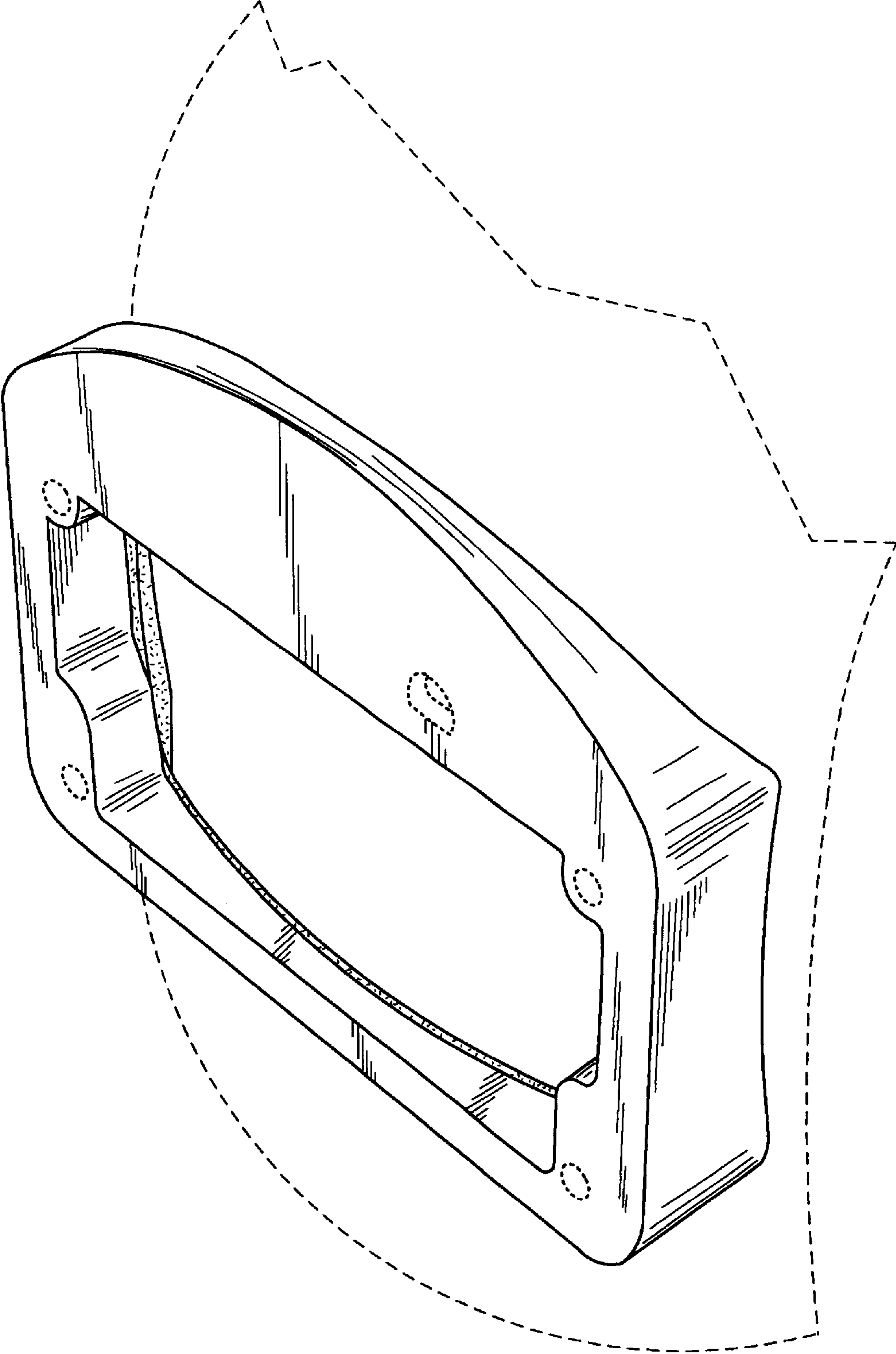


Fig. 1

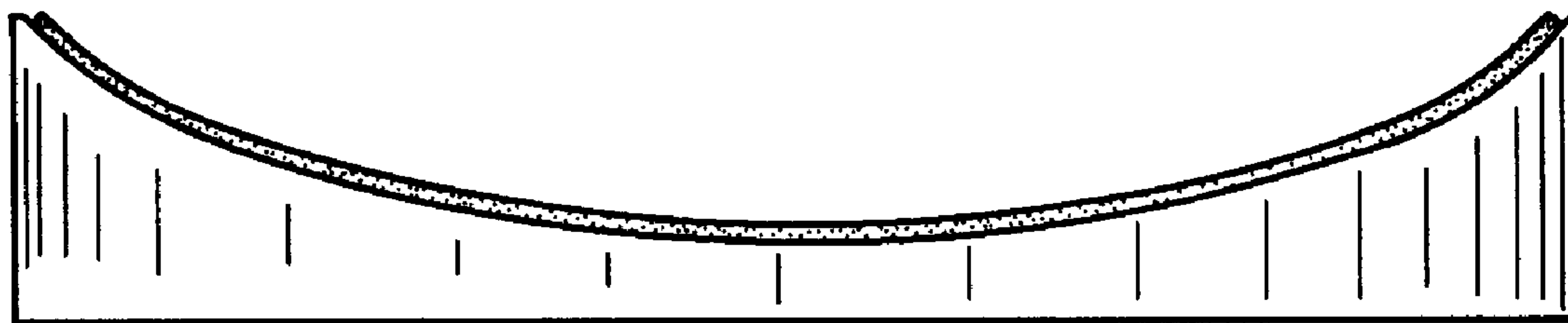


Fig. 2

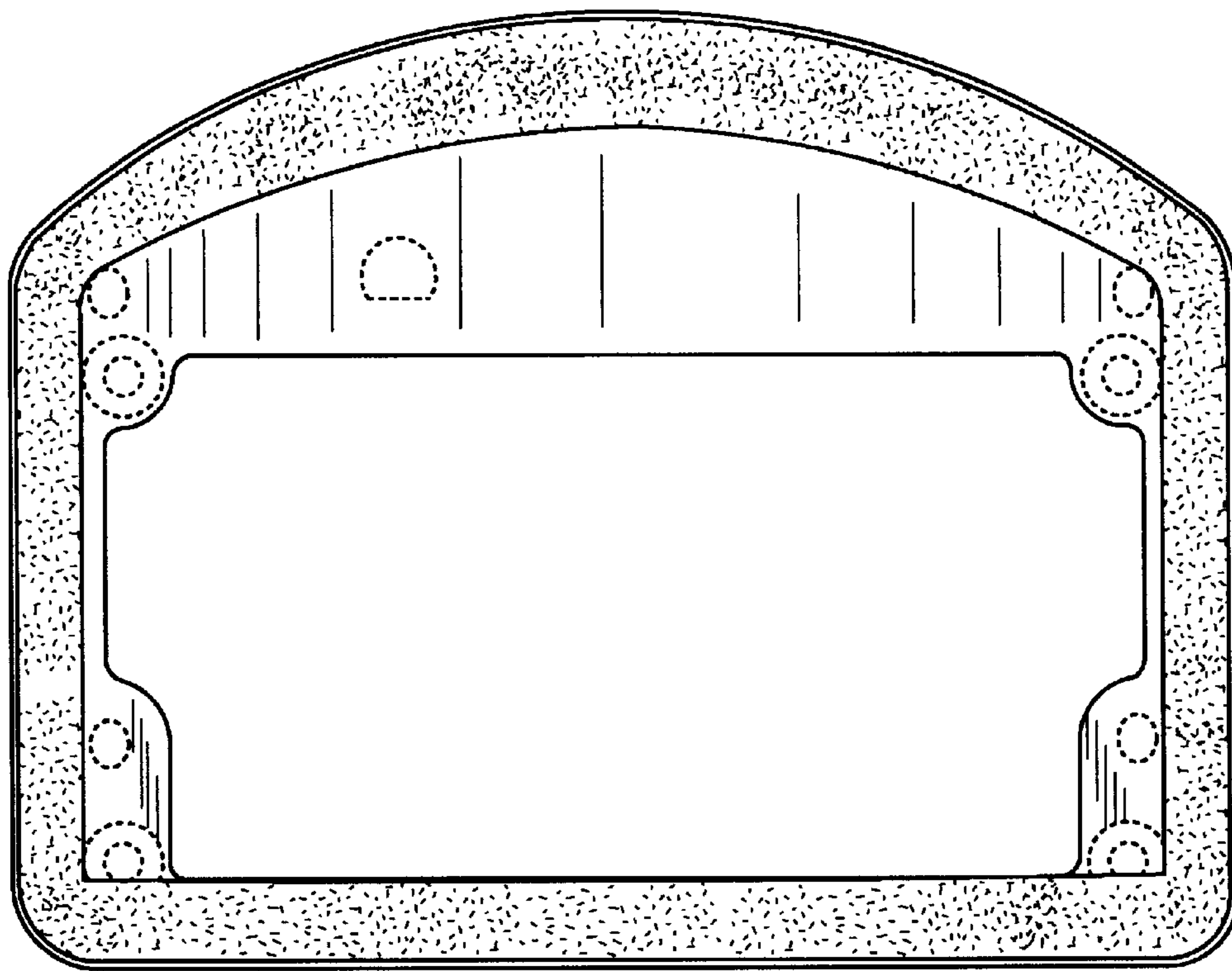


Fig. 3

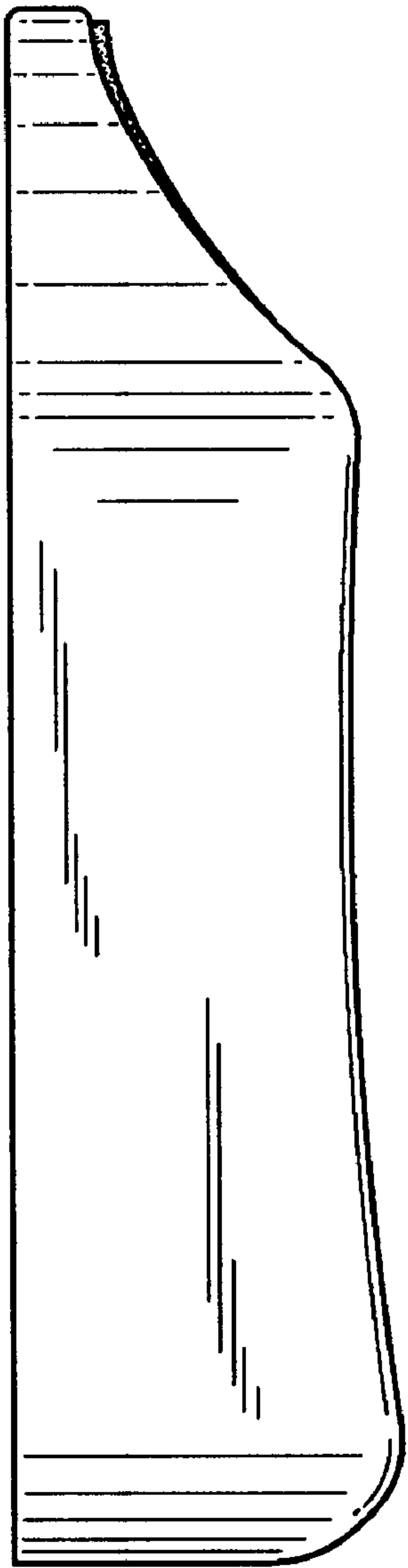


Fig. 4

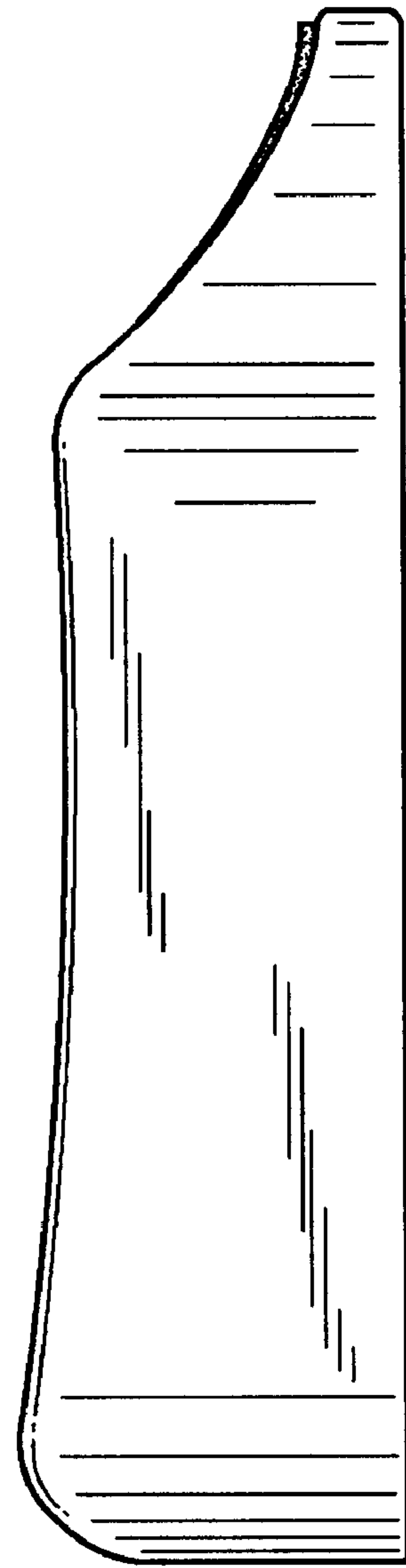


Fig. 5

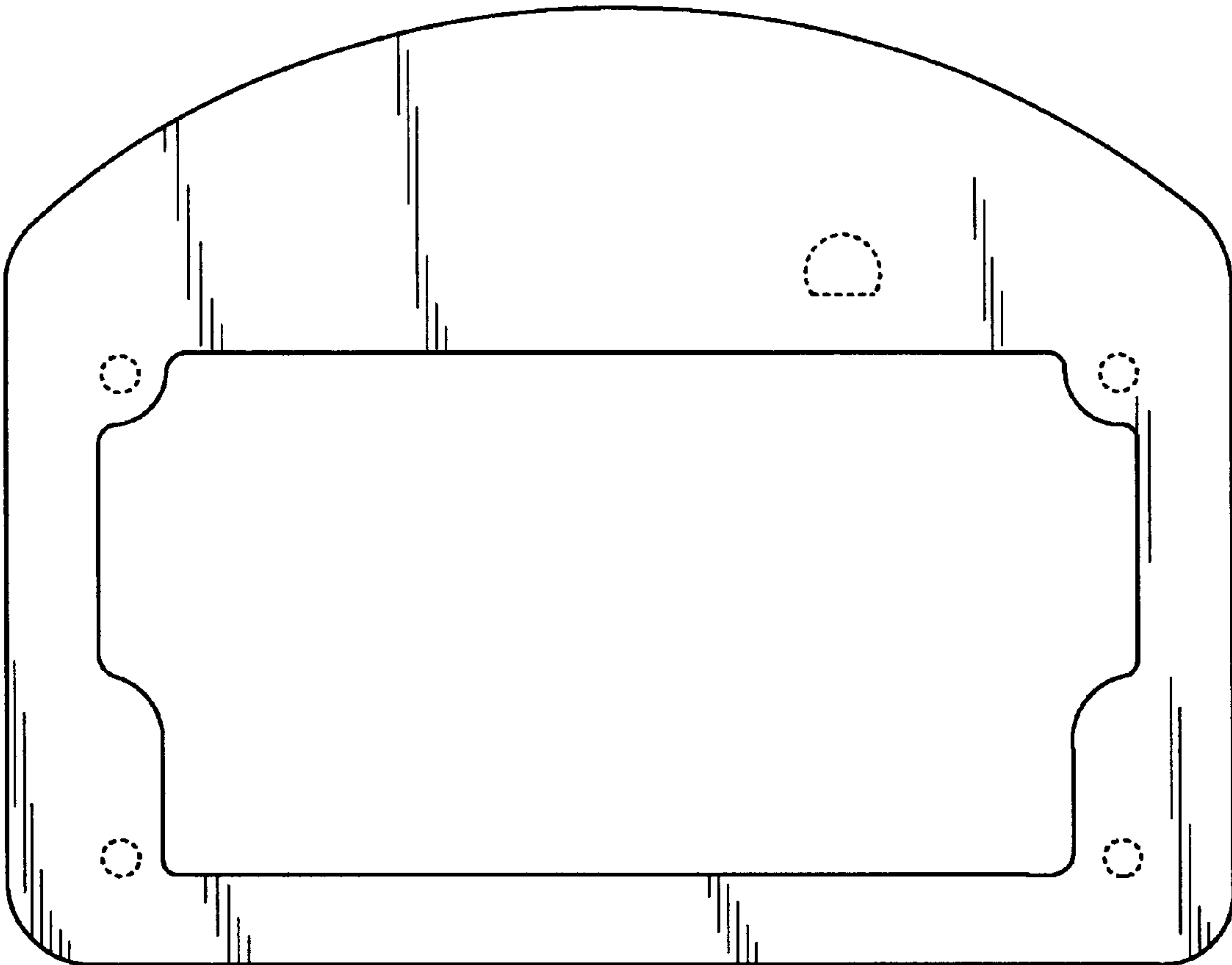


Fig. 6



Fig. 7

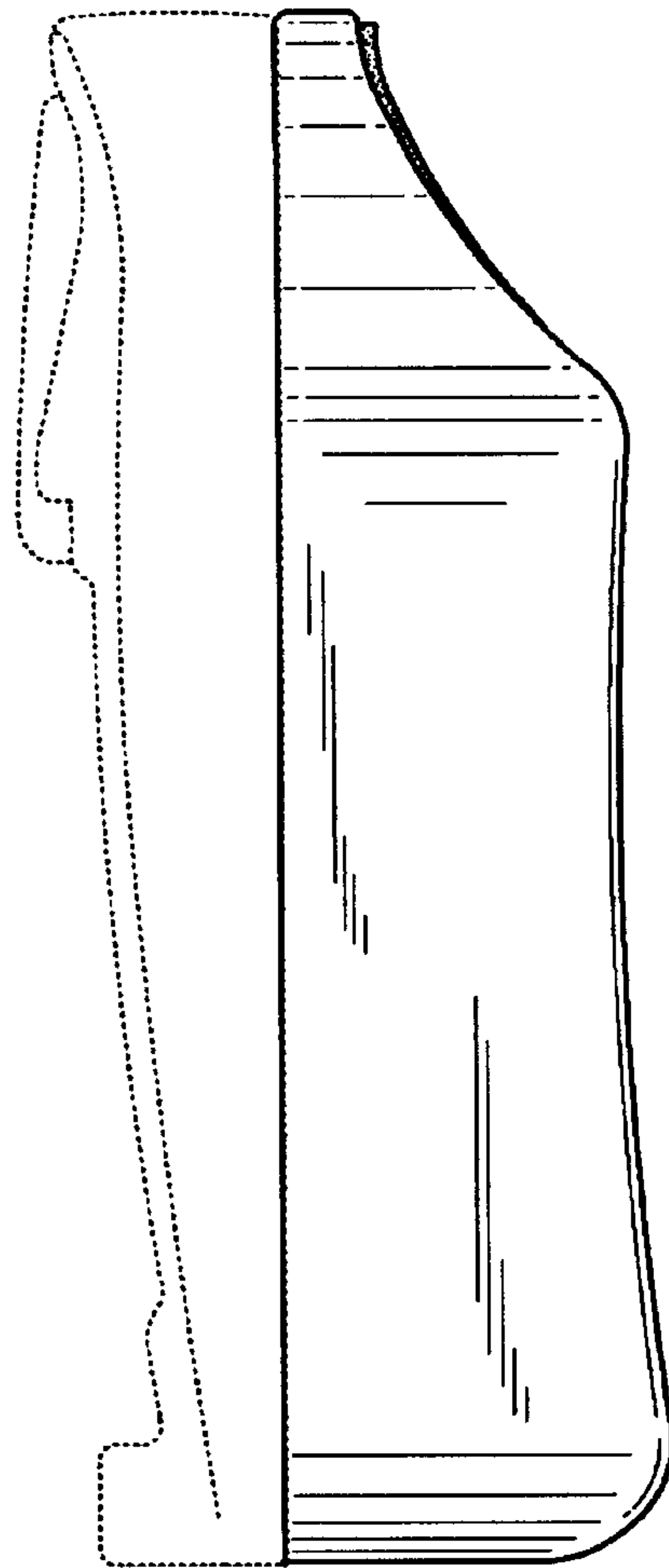


Fig. 8

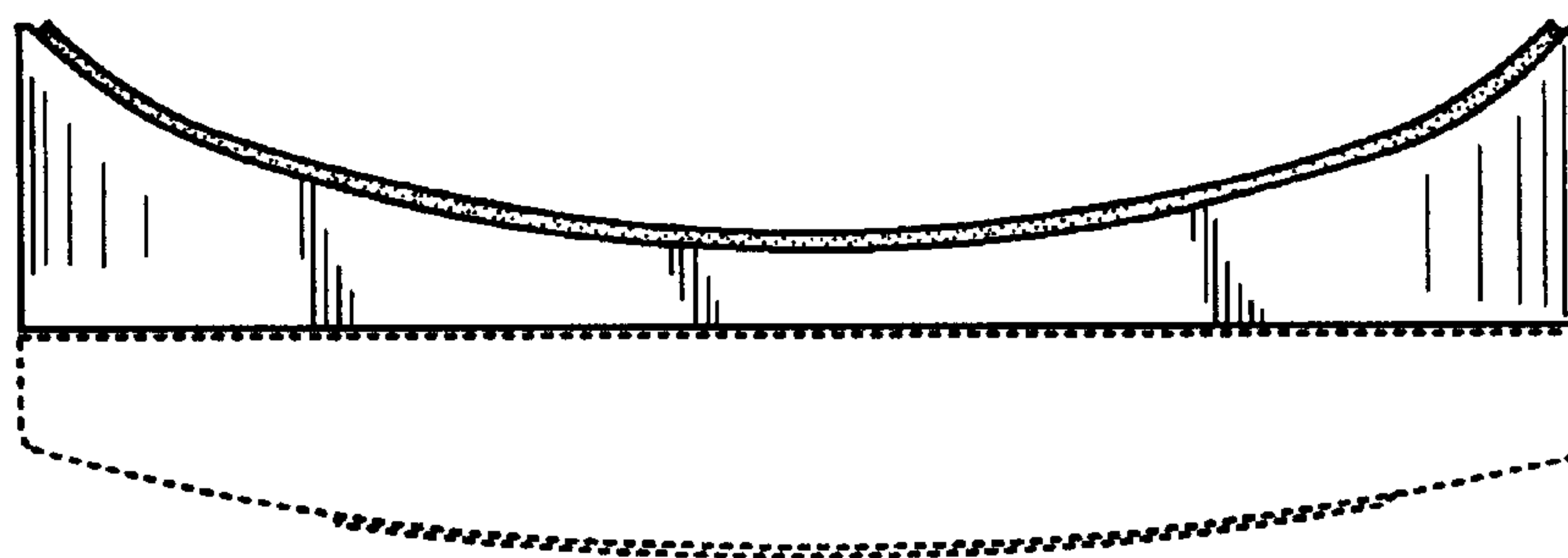


Fig. 9