



US00D517227S

(12) **United States Design Patent**
Egawa et al.

(10) **Patent No.:** **US D517,227 S**
(45) **Date of Patent:** **** Mar. 14, 2006**

(54) **LIGHT EMITTING DIODE LAMP**

D464,744 S * 10/2002 Kato et al. D26/1

(75) Inventors: **Kazuo Egawa**, Tokyo (JP); **Keiichi Shimizu**, Tokyo (JP); **Keisuke Ono**, Tokyo (JP)

* cited by examiner

Primary Examiner—Marcus A. Jackson
(74) *Attorney, Agent, or Firm*—J.C. Patents

(73) Assignee: **Toshiba Lighting & Technology Corporation**, Tokyo (JP)

(57) **CLAIM**

(**) Term: **14 Years**

The ornamental design for a light emitting diode lamp, as shown and described.

(21) Appl. No.: **29/211,036**

DESCRIPTION

(22) Filed: **Aug. 9, 2004**

FIG. 1 is a perspective view of a light emitting diode lamp showing the new design.

(30) **Foreign Application Priority Data**

Mar. 3, 2004 (JP) 2004-006486

FIG. 2 is a front view thereof.

(51) **LOC (8) Cl.** **26-04**

FIG. 3 is a rear view thereof.

(52) **U.S. Cl.** **D26/1**

FIG. 4 is a right side view thereof, the left side view being a mirror image of the right side view.

(58) **Field of Classification Search** D26/1-4;
313/313, 315, 317, 318; 362/157, 158, 171-174,
362/183-208

FIG. 5 is a top view thereof, the bottom view being a mirror image of the top view; and,

See application file for complete search history.

FIG. 6 is an end elevational view in section taken along line 6-6 in FIG. 2.

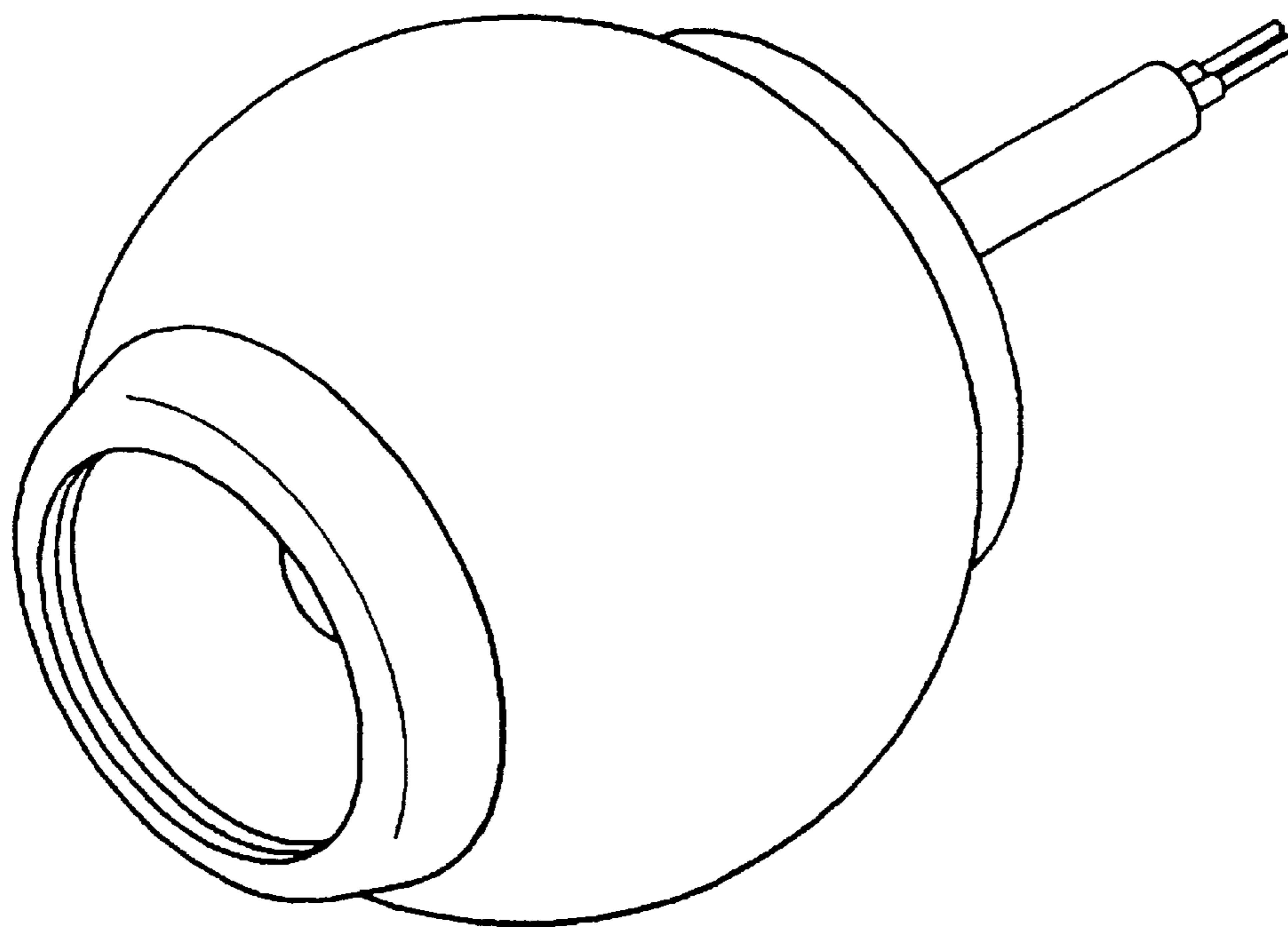
(56) **References Cited**

The portions shown in FIG. 6 with dual sectional lines are transparent.

U.S. PATENT DOCUMENTS

D334,242 S * 3/1993 Imamura et al. D26/1

1 Claim, 6 Drawing Sheets



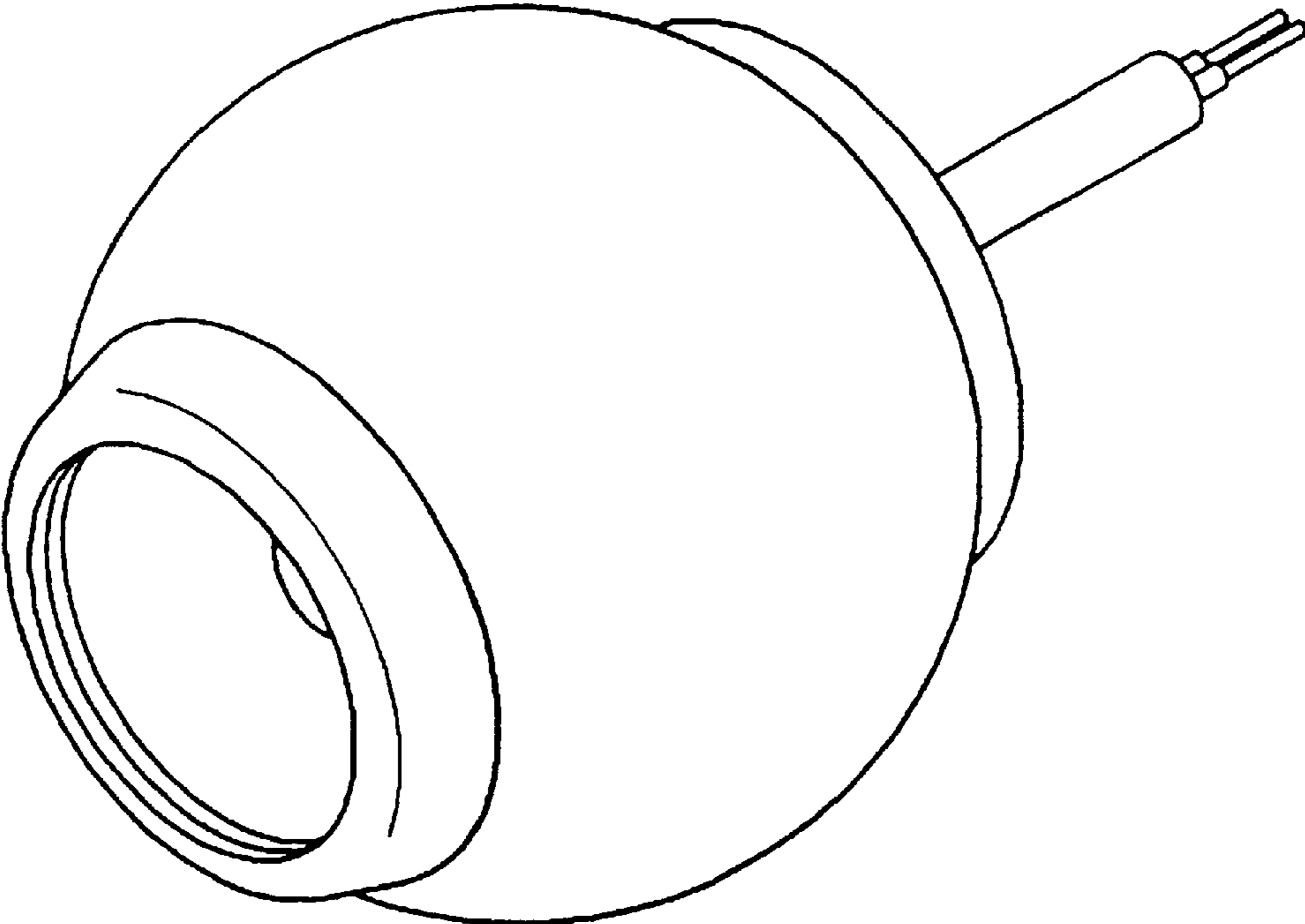
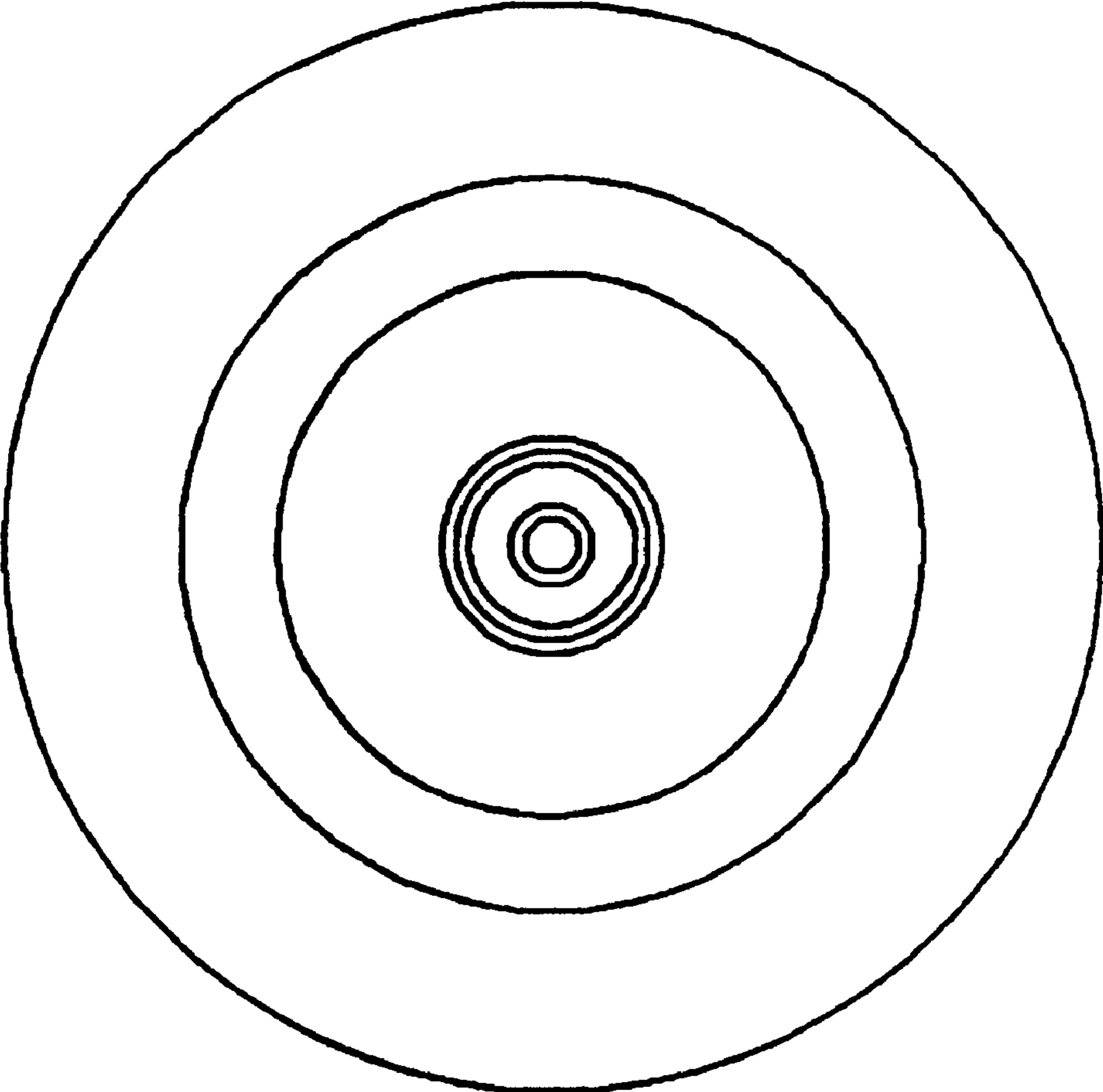


FIG. 1

6 ↙



6 ↘

FIG. 2

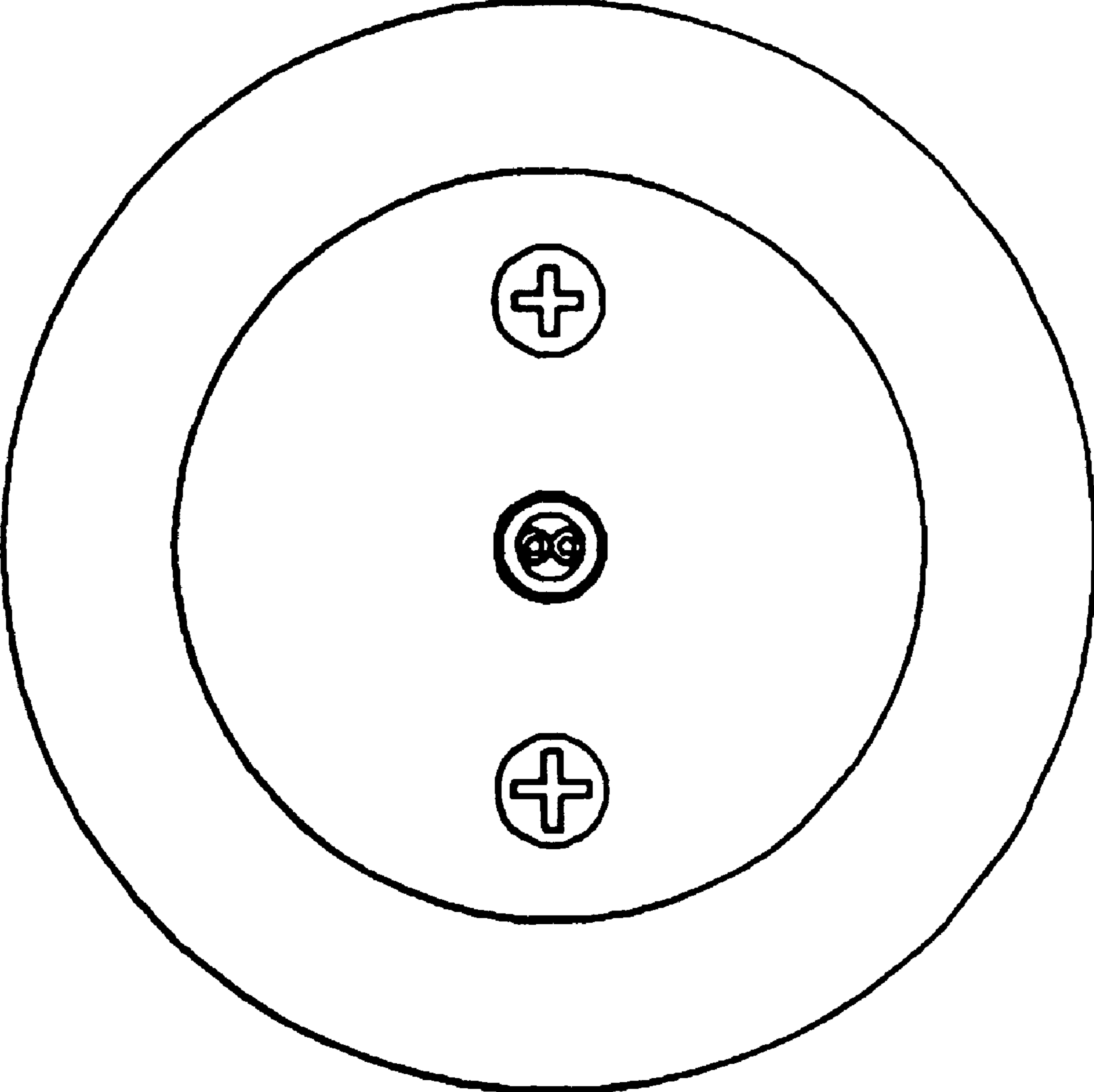


FIG. 3

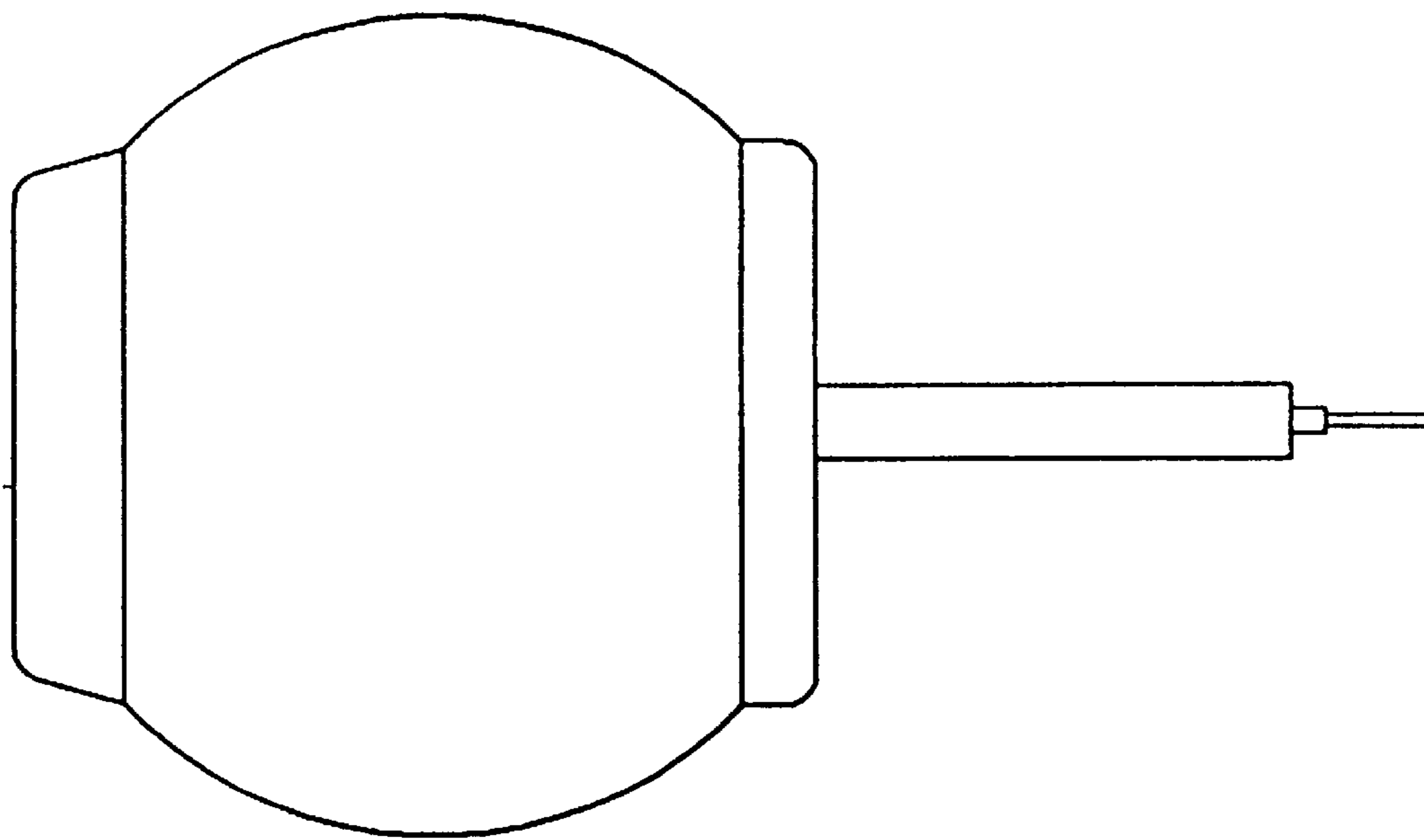


FIG. 4

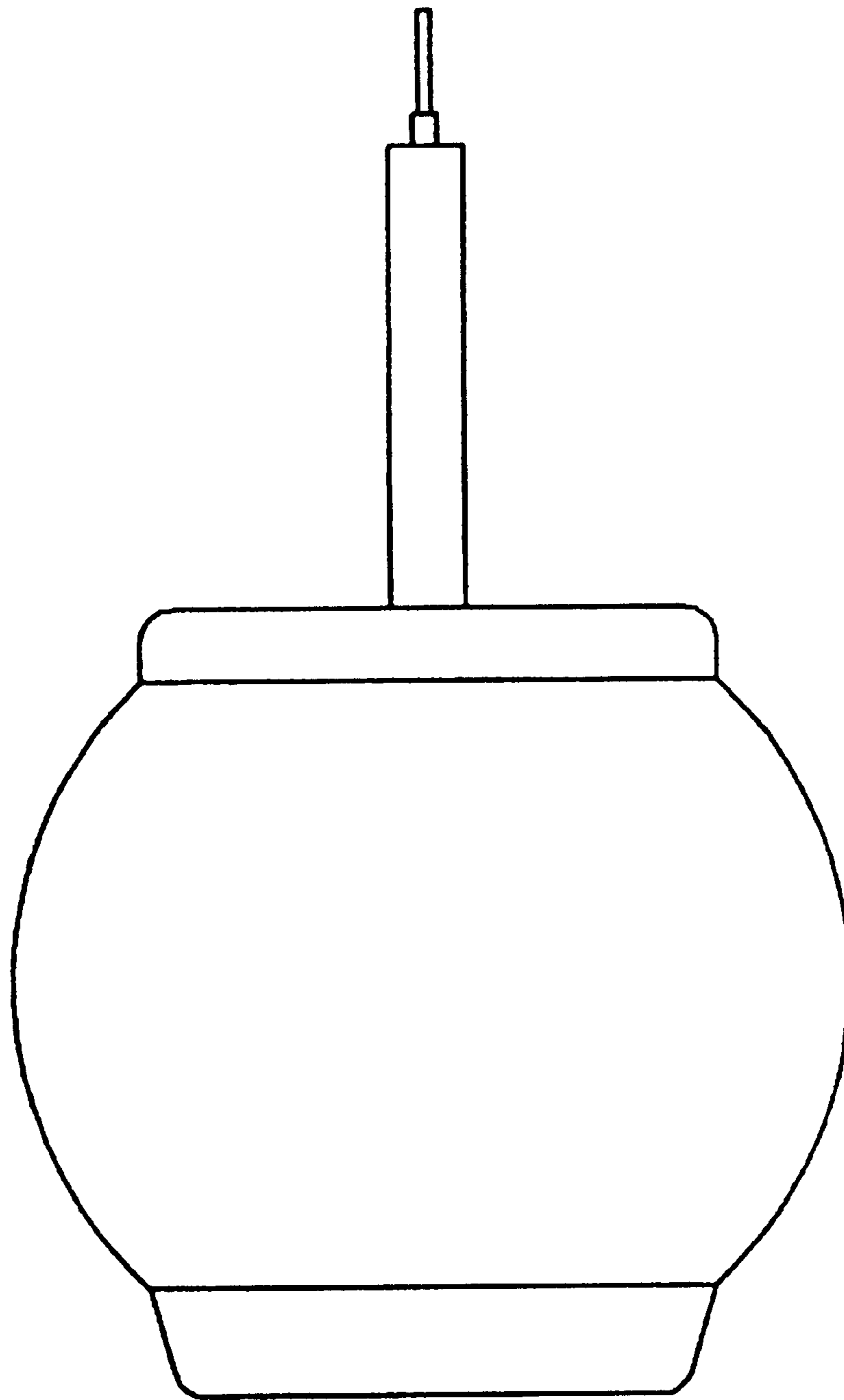


FIG. 5

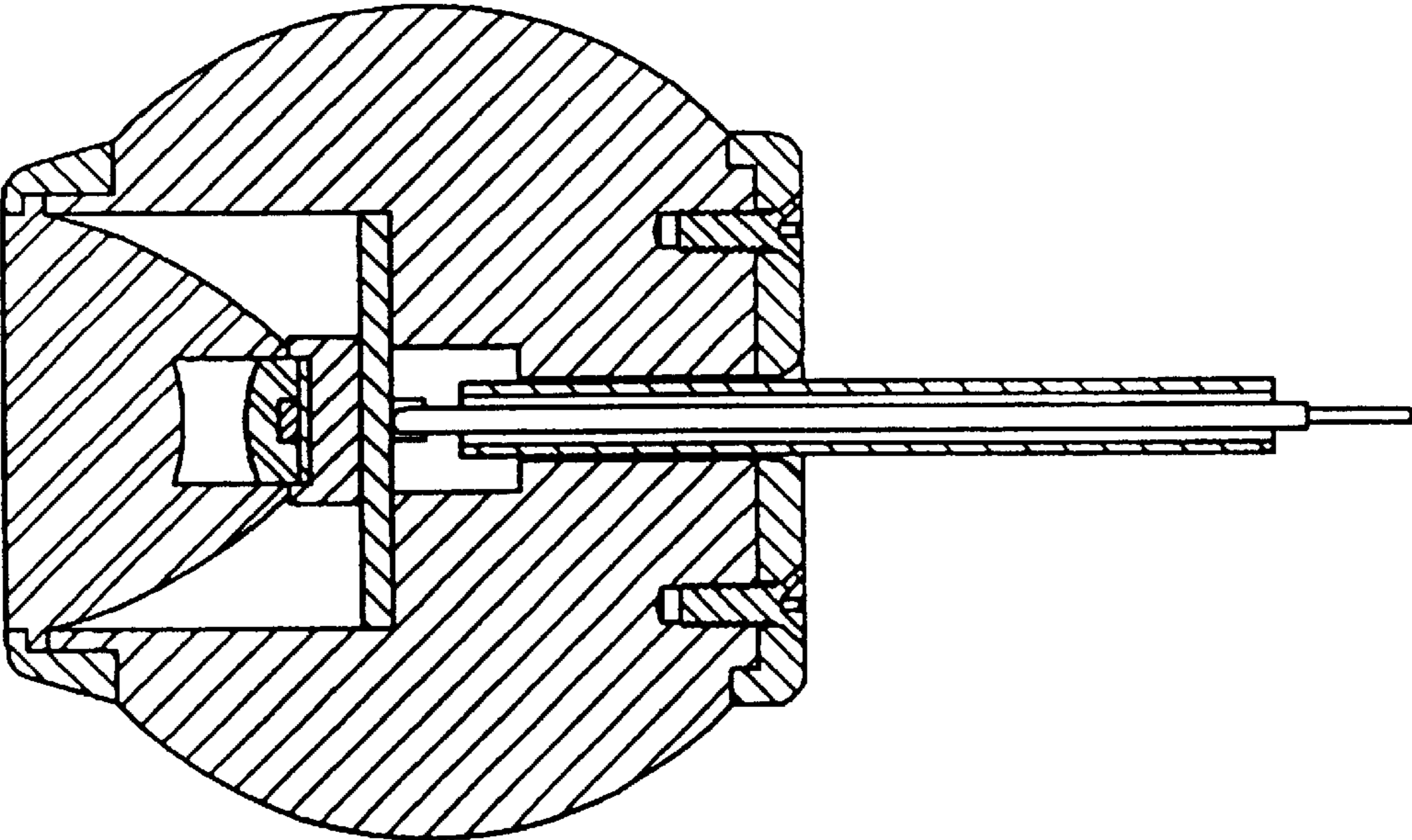


FIG. 6