



US00D517222S

(12) **United States Design Patent**  
**Cole**

(10) **Patent No.:** **US D517,222 S**  
(45) **Date of Patent:** **\*\* Mar. 14, 2006**

(54) **WINDOW COMPONENT EXTRUSION 8575**

(75) **Inventor:** **Douglas L. Cole**, Seattle, WA (US)

(73) **Assignee:** **Mikron Industries, Inc.**, Kent, WA (US)

(\*\*) **Term:** **14 Years**

(21) **Appl. No.:** **29/189,214**

(22) **Filed:** **Aug. 29, 2003**

(51) **LOC (8) Cl.** ..... **25-01**

(52) **U.S. Cl.** ..... **D25/119**

(58) **Field of Classification Search** ..... D25/124,  
D25/125, 119; 52/204.1, 204.5; 49/504, DIG. 2  
See application file for complete search history.

(56) **References Cited**

**U.S. PATENT DOCUMENTS**

D486,589 S \* 2/2004 Knapp ..... D25/119

**OTHER PUBLICATIONS**

Wendy J. Decicio, Mikron Part No. 8334, First Drawn: Dec. 18, 2000, First Sold: Nov. 10, 2001.

\* cited by examiner

*Primary Examiner*—Doris Clark

(74) *Attorney, Agent, or Firm*—Black Lowe & Graham PLLC

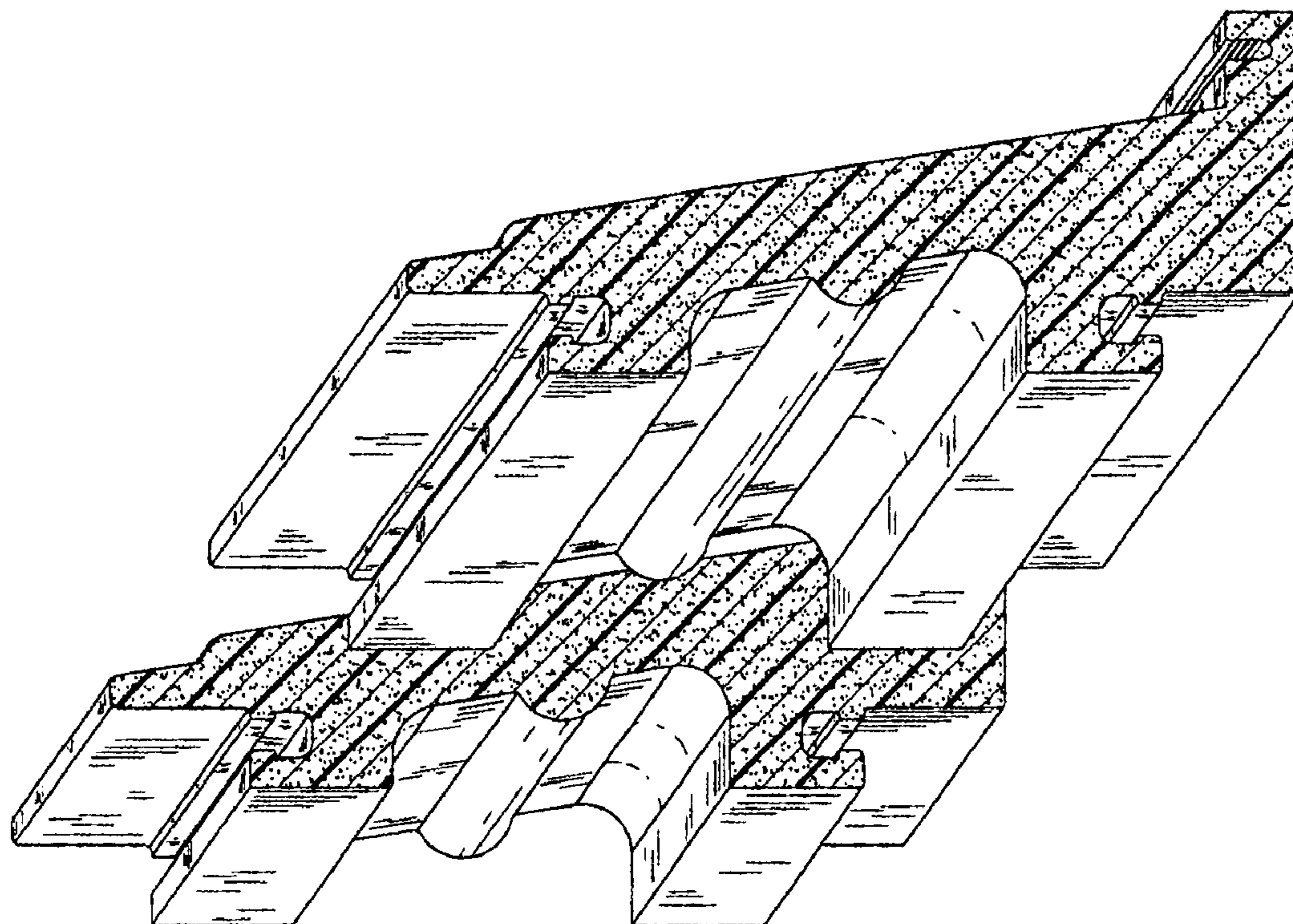
(57) **CLAIM**

The ornamental design for a window component extrusion, as shown and described.

**DESCRIPTION**

FIG. 1 is a bottom left perspective view of the window component extrusion which is broken in the center indicating indefinite length; and, FIG. 2 is a top left perspective view of the window component extrusion shown in FIG. 1.

**1 Claim, 1 Drawing Sheet**



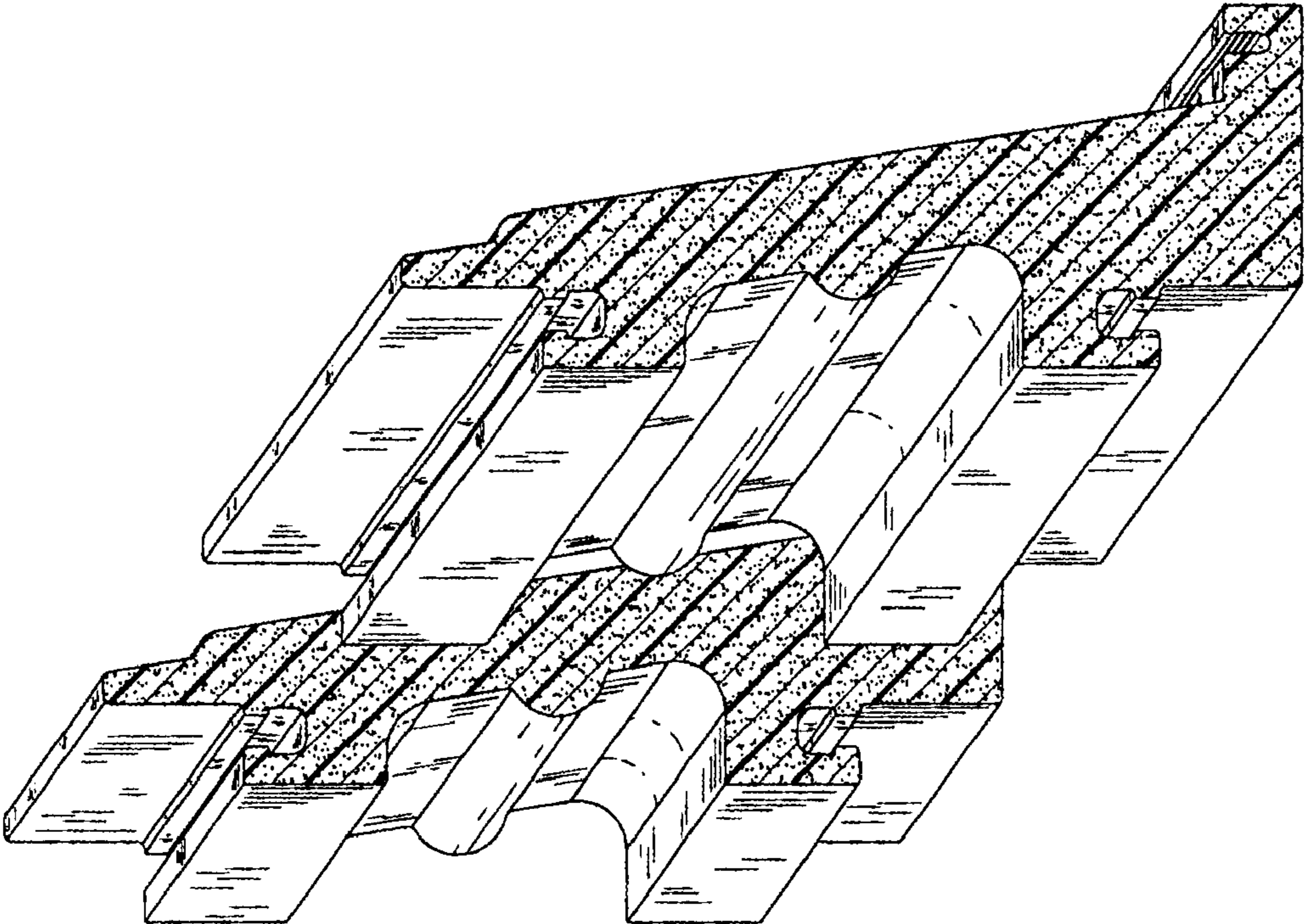


FIG. 1

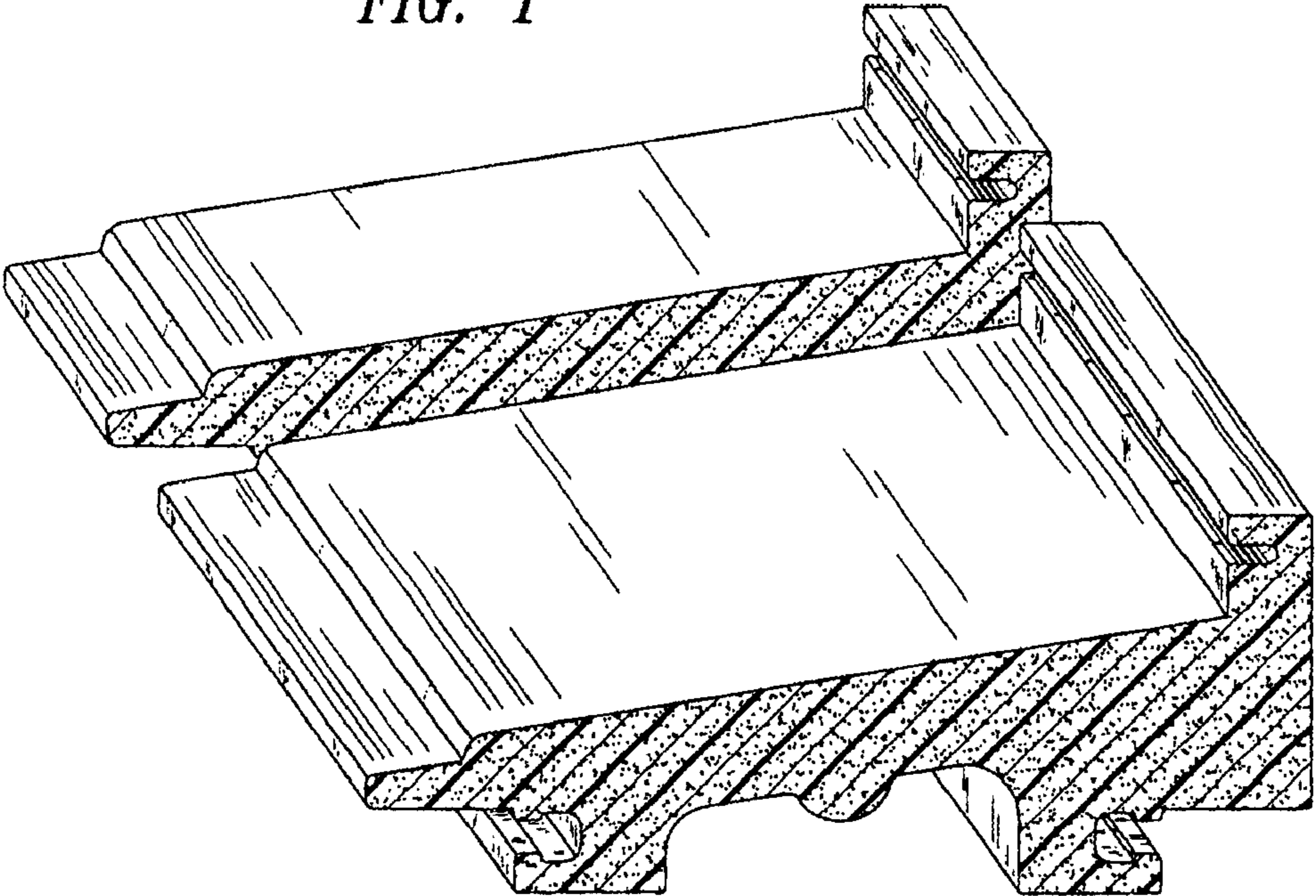


FIG. 2