



US00D517221S

(12) **United States Design Patent**
Keys et al.

(10) **Patent No.:** **US D517,221 S**
(45) **Date of Patent:** **** Mar. 14, 2006**

(54) **RETAINING WALL BLOCK**

(75) Inventors: **Guy Keys**, Guelph (CA); **Andy Savoie**,
Brampton (CA); **Rick Stinchcombe**,
Tecumseh (CA)

(73) Assignee: **Oaks Concrete Products Ltd.**, Milton
(CA)

(**) Term: **14 Years**

(21) Appl. No.: **29/223,731**

(22) Filed: **Feb. 18, 2005**

(51) **LOC (8) Cl.** **25-01**

(52) **U.S. Cl.** **D25/113**

(58) **Field of Classification Search** D25/112–118,
D25/164; D21/484–486; 405/15–16, 30–31,
405/33, 284; 404/29, 34; 52/102, 575, 596–609
See application file for complete search history.

(56) **References Cited**

U.S. PATENT DOCUMENTS

2,074,813	A	3/1937	Sill	
4,860,505	A	8/1989	Bender	
D305,938	S	* 2/1990	Risi et al. D25/113
5,622,456	A	4/1997	Risi et al.	
5,647,185	A	7/1997	Forlini	
D403,785	S	1/1999	Risi et al.	

FOREIGN PATENT DOCUMENTS

CA	1182295	2/1985
CA	1204296	5/1986
CA	1307675	9/1992

OTHER PUBLICATIONS

Lo Gioco Lanscaping, Siena Stone Product Information,
www.librick.com/siena.html, Feb. 9, 2004.
Retaining Walls, Siena Stone, Siena Stone Product Infor-
mation, p. 30.

Siena Stone, Siena Stone Product Information.
www.-unilock.com, Aug. 28, 2003.

Unilock, Siena Stone, Product Information, www.unilock.
com/product, Aug. 29, 2003.

Oaks Concrete Products, Alterra Product Information, Feb.
20, 2004.

(Continued)

Primary Examiner—Robert A. Delehanty

(74) *Attorney, Agent, or Firm*—Bereskin & Parr

(57) **CLAIM**

The ornamental design of a retaining wall block, as shown.

DESCRIPTION

FIG. 1 is a rear perspective view of the retaining wall block,
taken from above;

FIG. 2 is a front perspective view of the FIG. 1 block, taken
from below;

FIG. 3 is a side view of the FIG. 1 block;

FIG. 4 is a bottom view of the FIG. 1 block;

FIG. 5 is a top view of the FIG. 1 block;

FIG. 6 is a rear view of the FIG. 1 block;

FIG. 7 is a side view, from the other side as compared with
FIG. 3, of the FIG. 1 block;

FIG. 8 is a front view of the FIG. 1 block;

FIG. 9 is a rear perspective view, taken from above, of a
variant of a FIG. 1 block;

FIG. 10 is a front perspective view, taken from below, of the
FIG. 9 block;

FIG. 11 is a side view of the FIG. 9 block;

FIG. 12 is a bottom view of the FIG. 9 block;

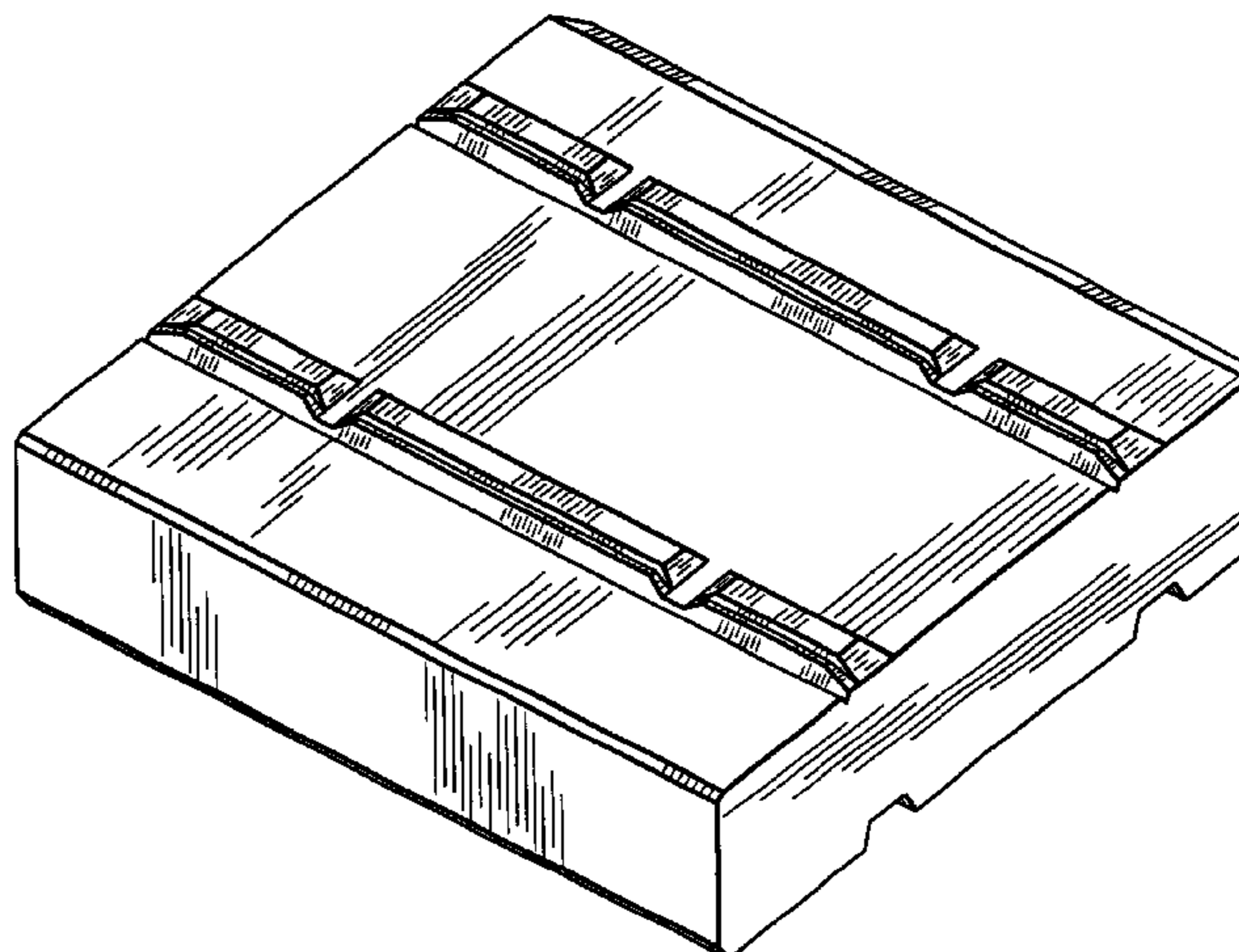
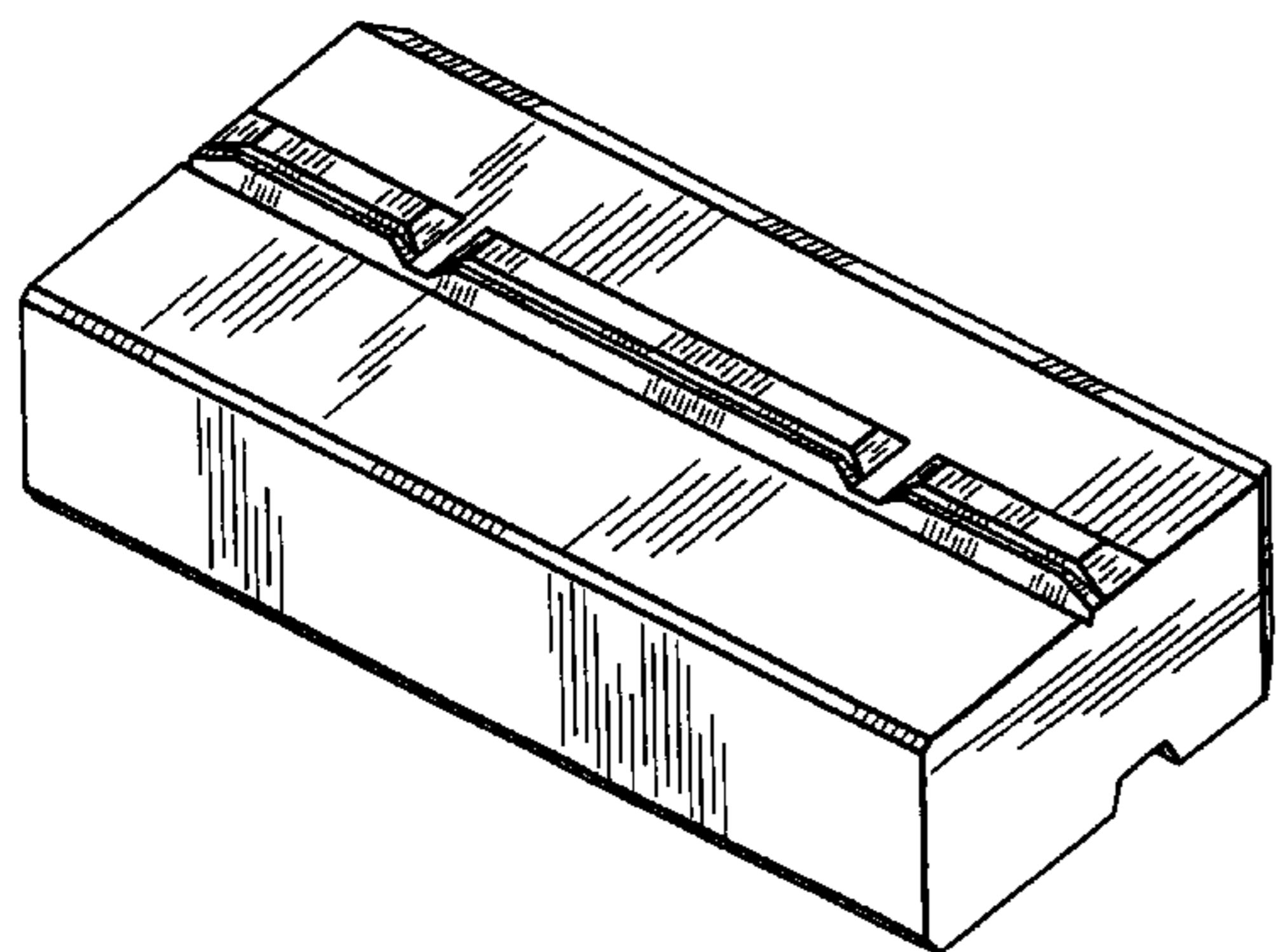
FIG. 13 is a top view of the FIG. 9 block;

FIG. 14 is a rear view of the FIG. 9 block;

FIG. 15 is a side view, taken from the other side as compared
with FIG. 11, of the FIG. 9 block; and,

FIG. 16 is a front view of the FIG. 9 block.

1 Claim, 6 Drawing Sheets



OTHER PUBLICATIONS

Oaks Concrete Products, Ortana Product Information, Feb. 20, 2004.

Unilock, Pisa2 Information, www.unilock.com/product, Oct. 14, 2003.

Unilock, Pisa II Information, www.unilock.com/product, Aug. 28, 2003.

Lo Gioco Lanscaping, Inc., Pisa II Paving Bricks, www.llibrick.com/bricks.html, Feb. 9, 2004.

Lo Gioco Lanscaping, Inc., Pisa II, www.llibrick.com/pisa2/html, Feb. 9, 2004.

Wescon Pavers, Packaging & Weights—Pisa II, Weights & Design Aids, www.westconpavers.com, Feb. 9, 2004.

Weston Pavers, Packaging & Weights, Accessories, Product Information, Feb. 9, 2004.

Lockcrete, Product Information, System Component www.Lockcrete.com, Feb. 9, 2004.

Weston Pavers, Packaging & Weights, Pisa II, Product Information, Paver Depot Products, Feb. 18, 2004.

Unilock, Pica2, Product Detail, www.unilock.com, Feb. 9, 2004.

Oaks Concrete Products, Pavers, Walls & Enviro Products Oaks Product Guide, Mar. 2003.

* cited by examiner

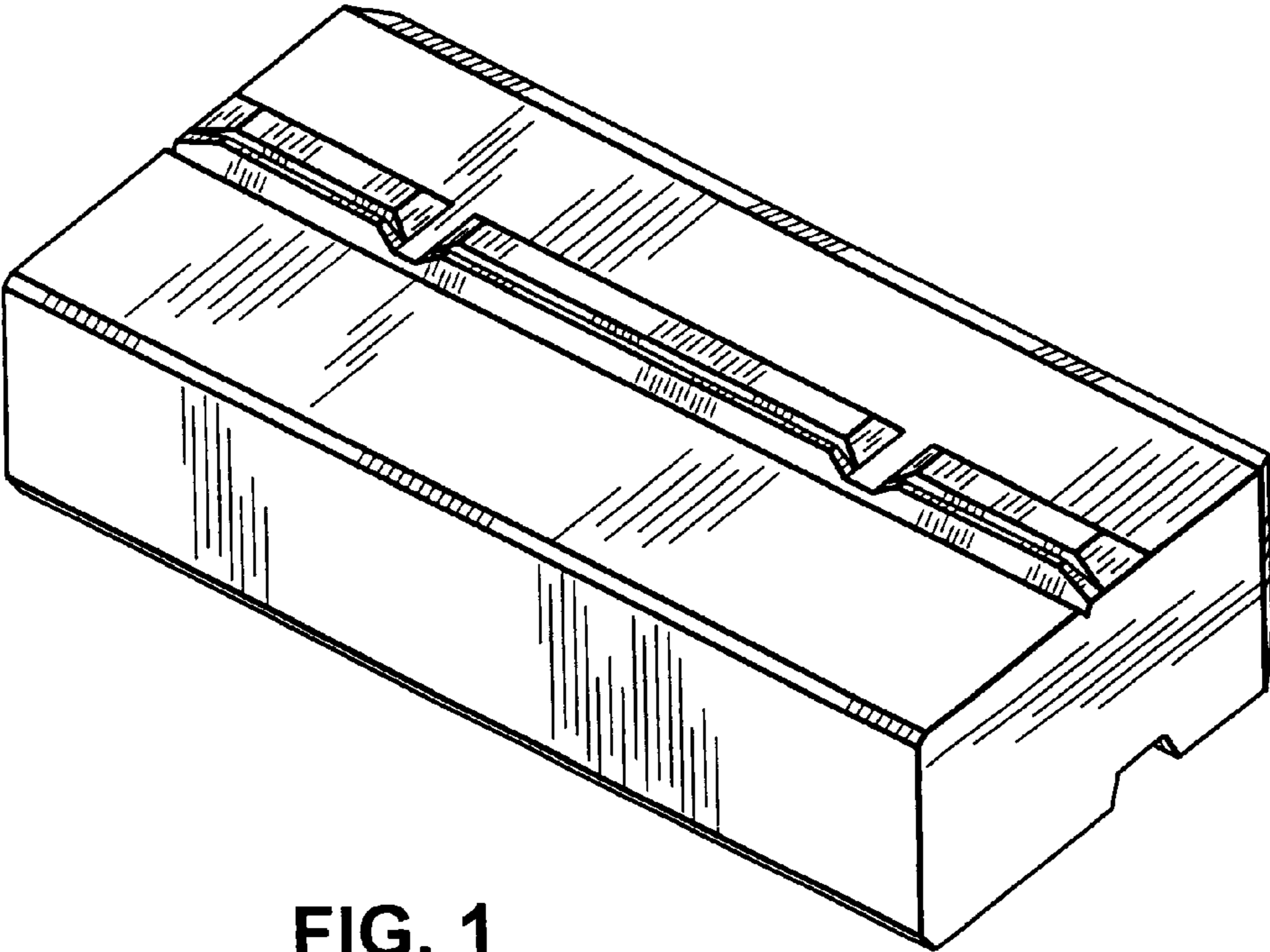


FIG. 1

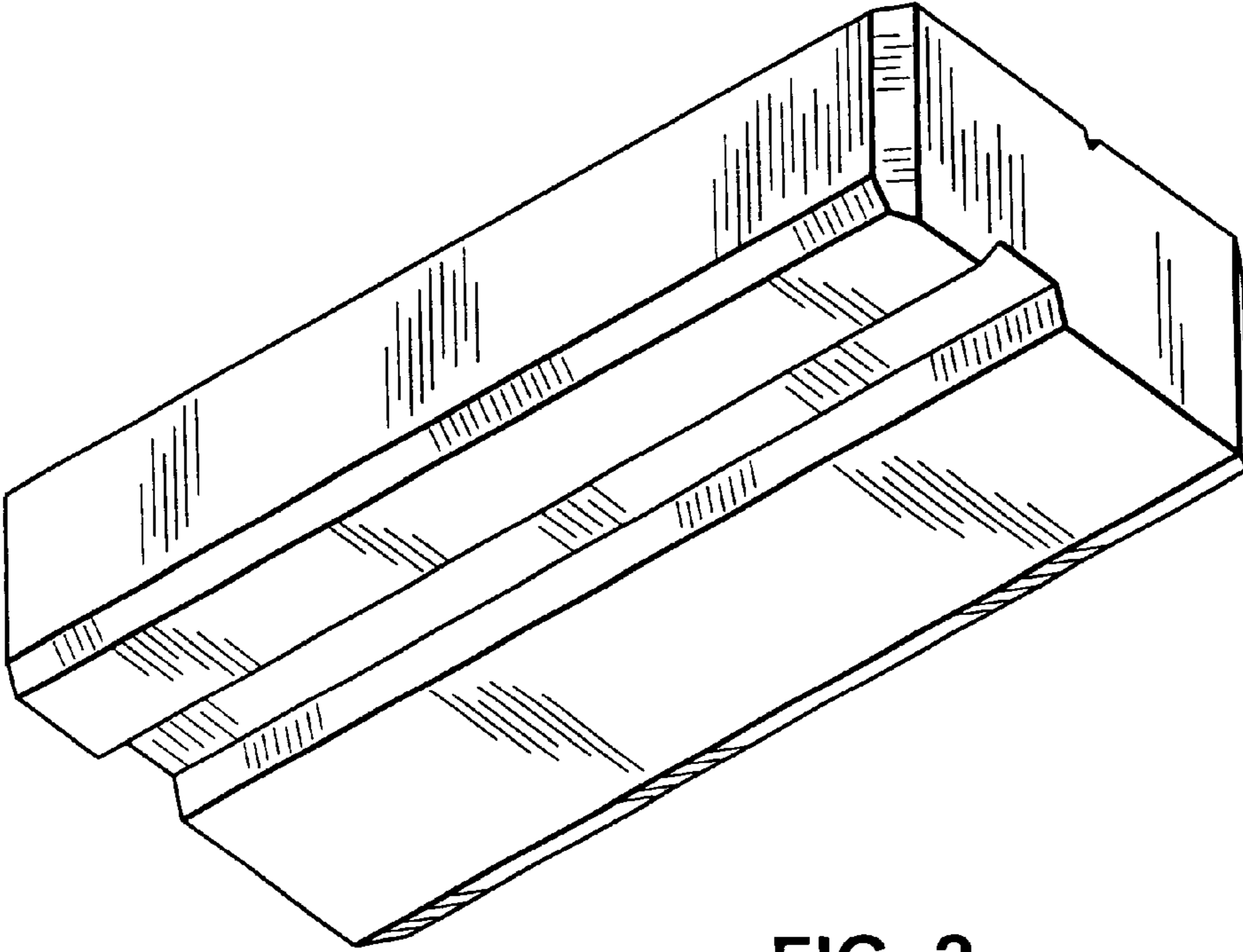


FIG. 2

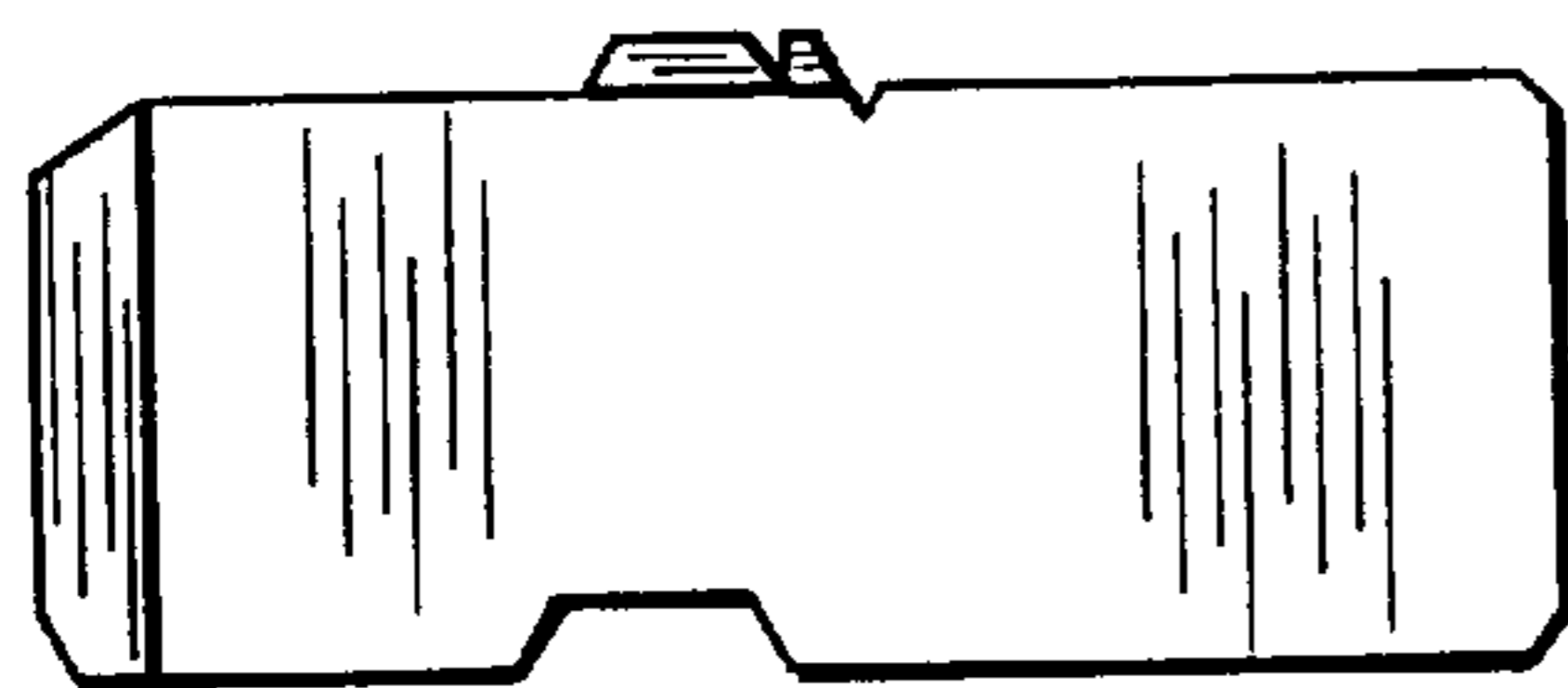


FIG. 3

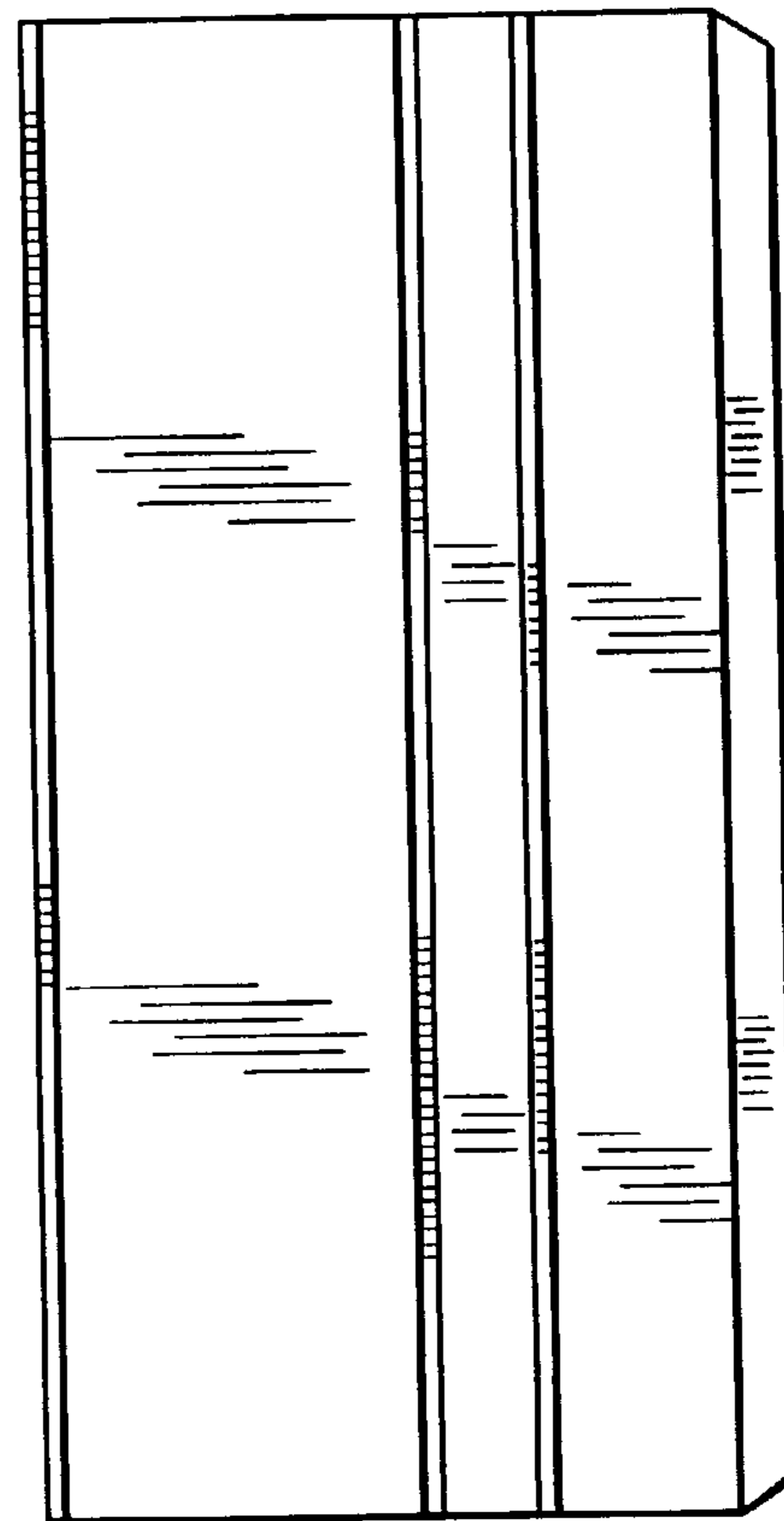


FIG. 4

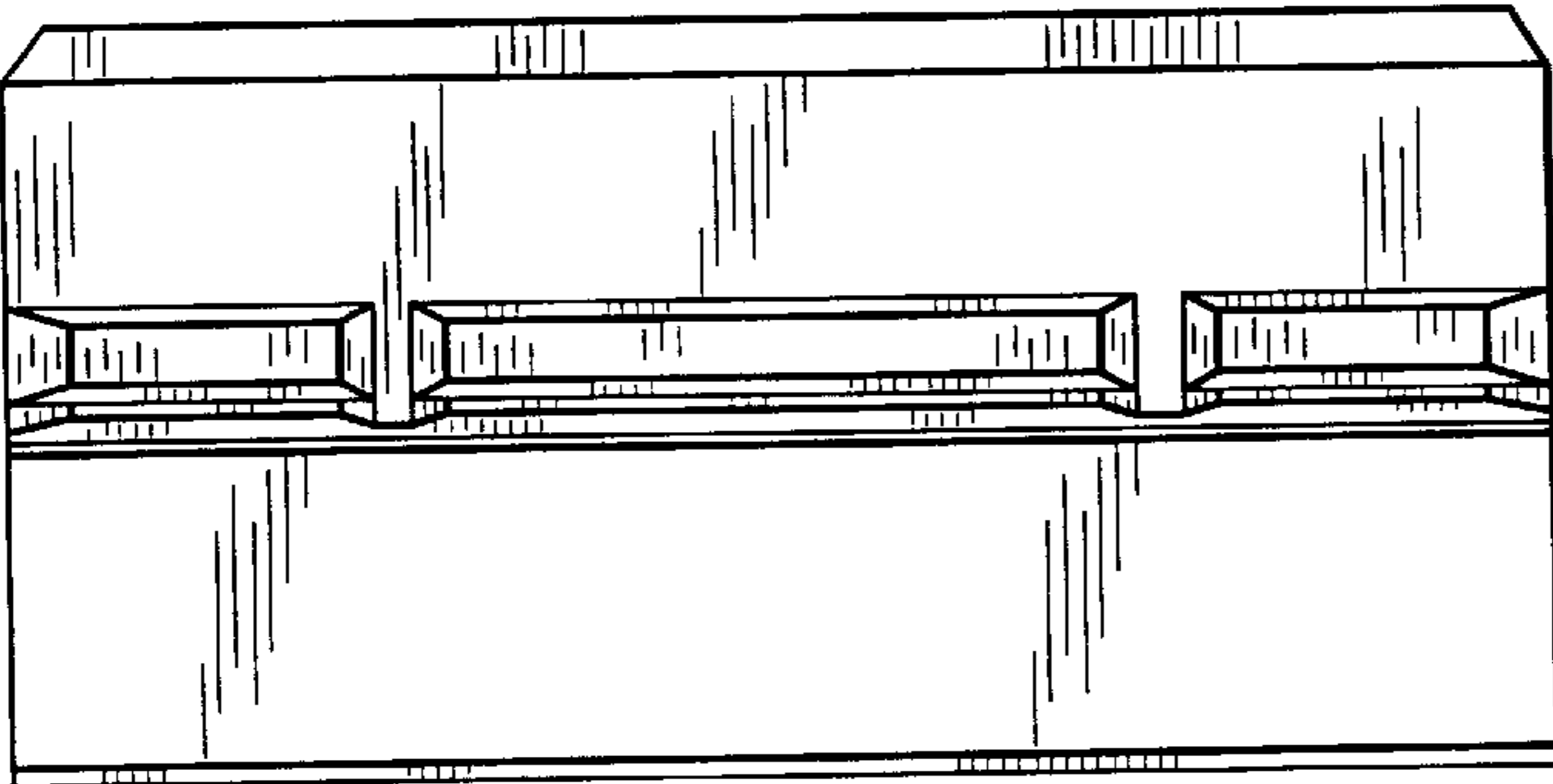


FIG. 5

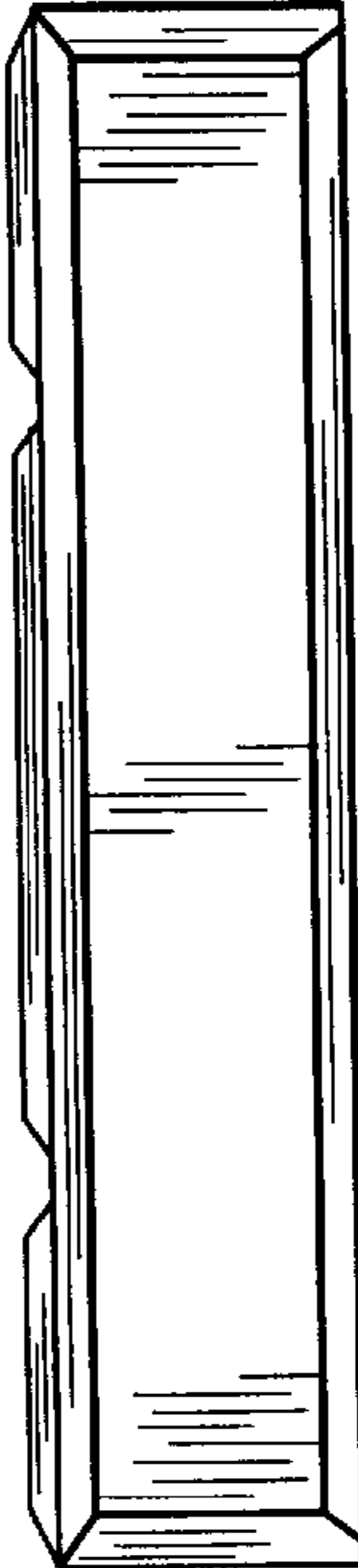


FIG. 8

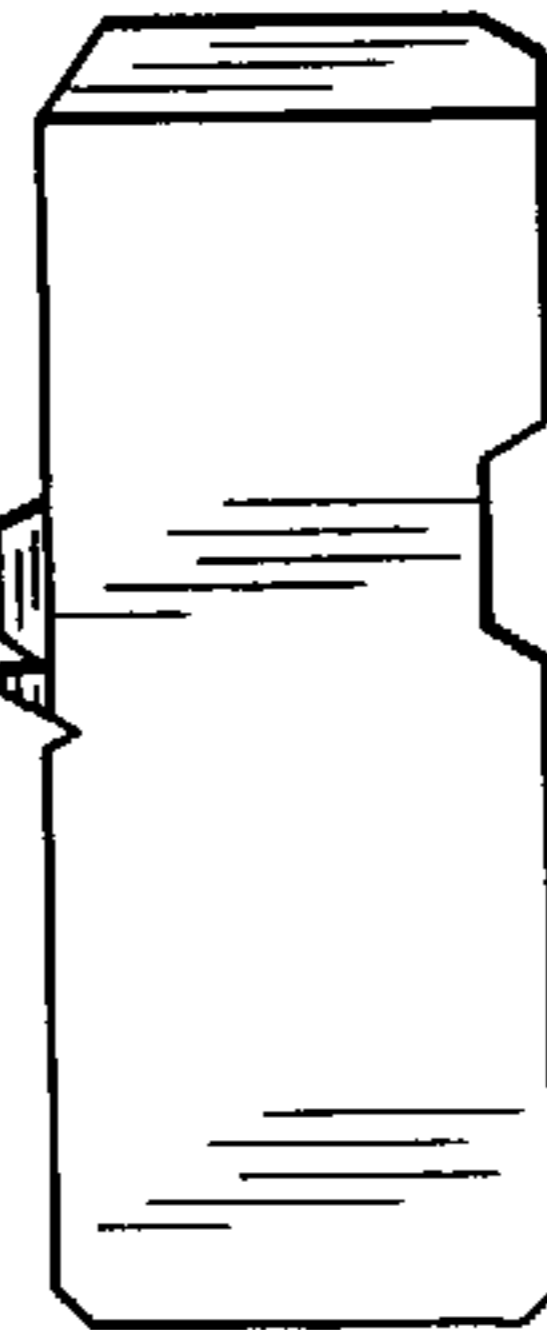


FIG. 7

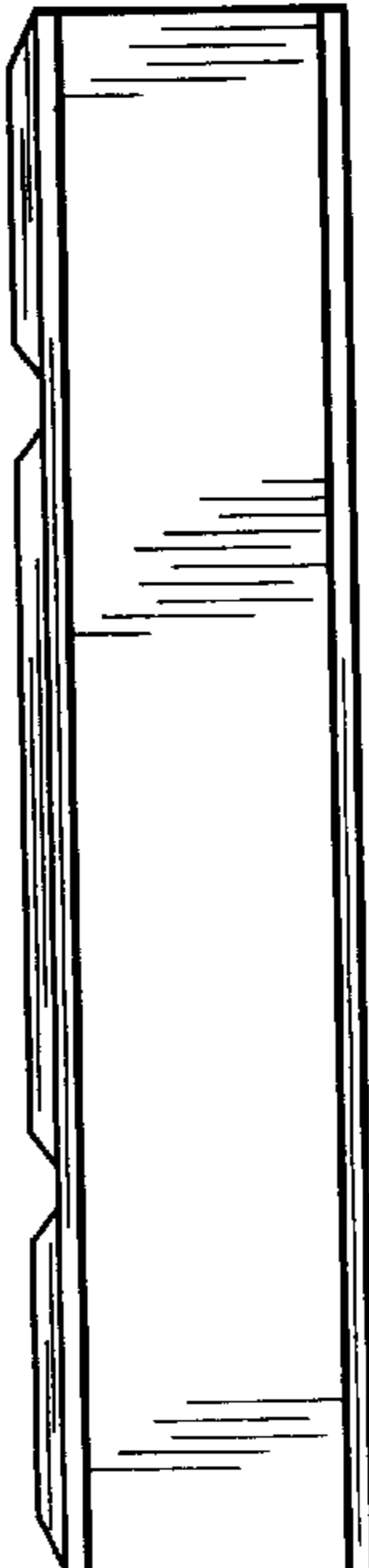


FIG. 6

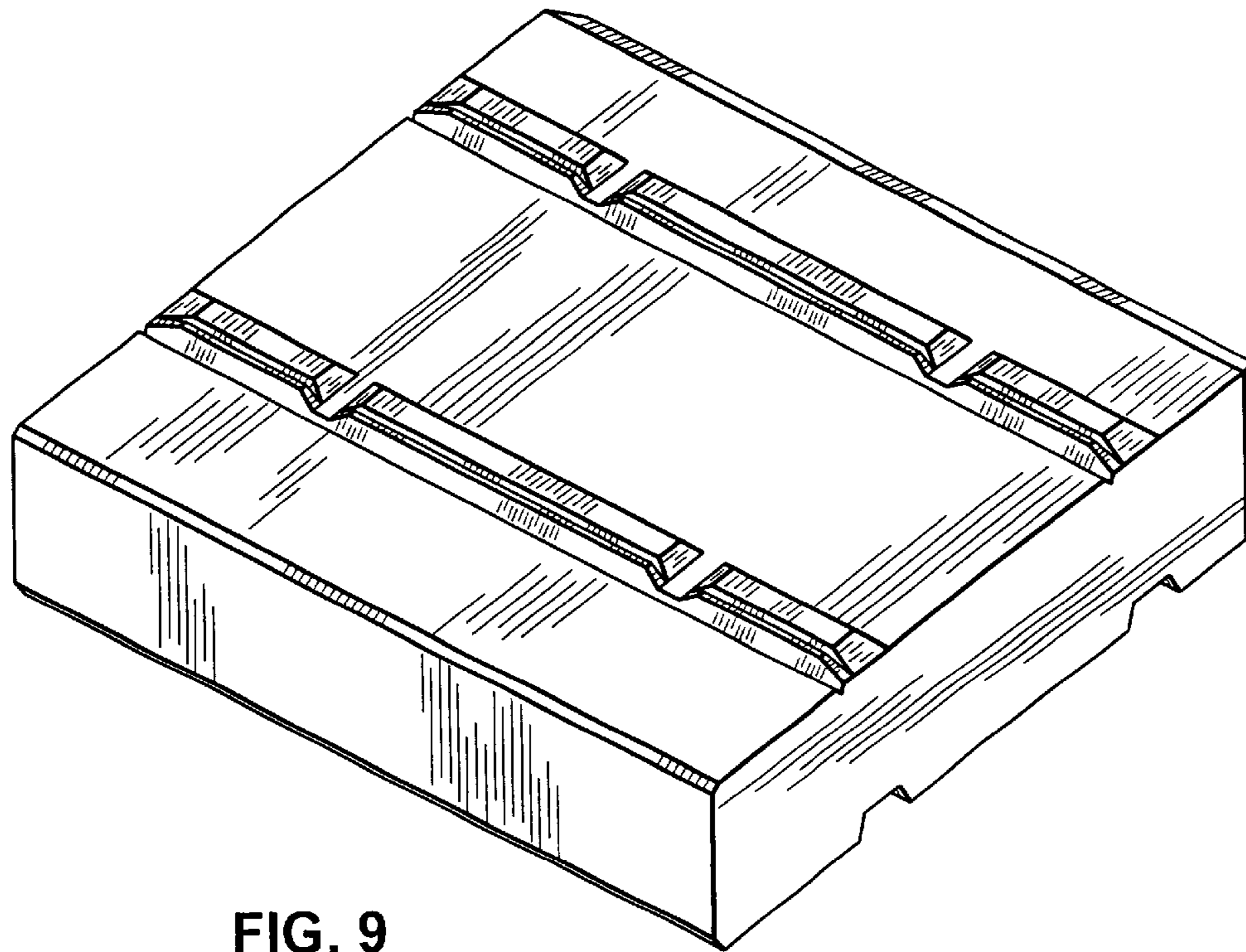


FIG. 9

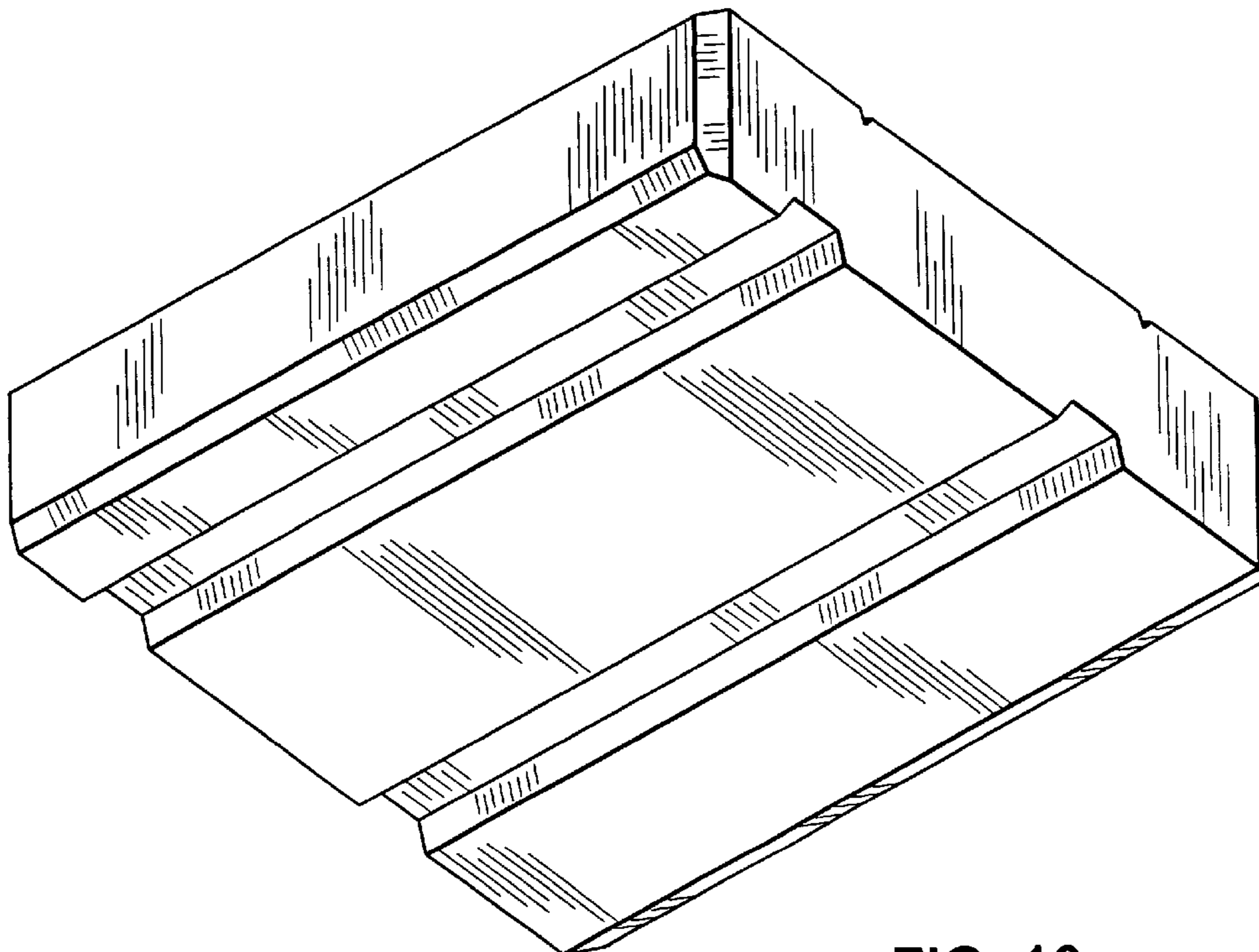


FIG. 10

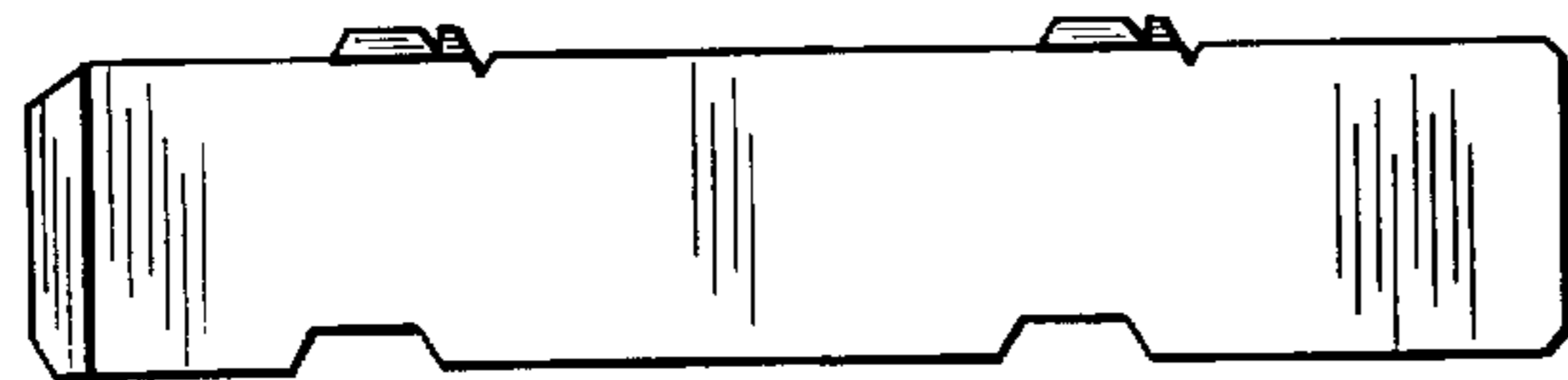


FIG. 11

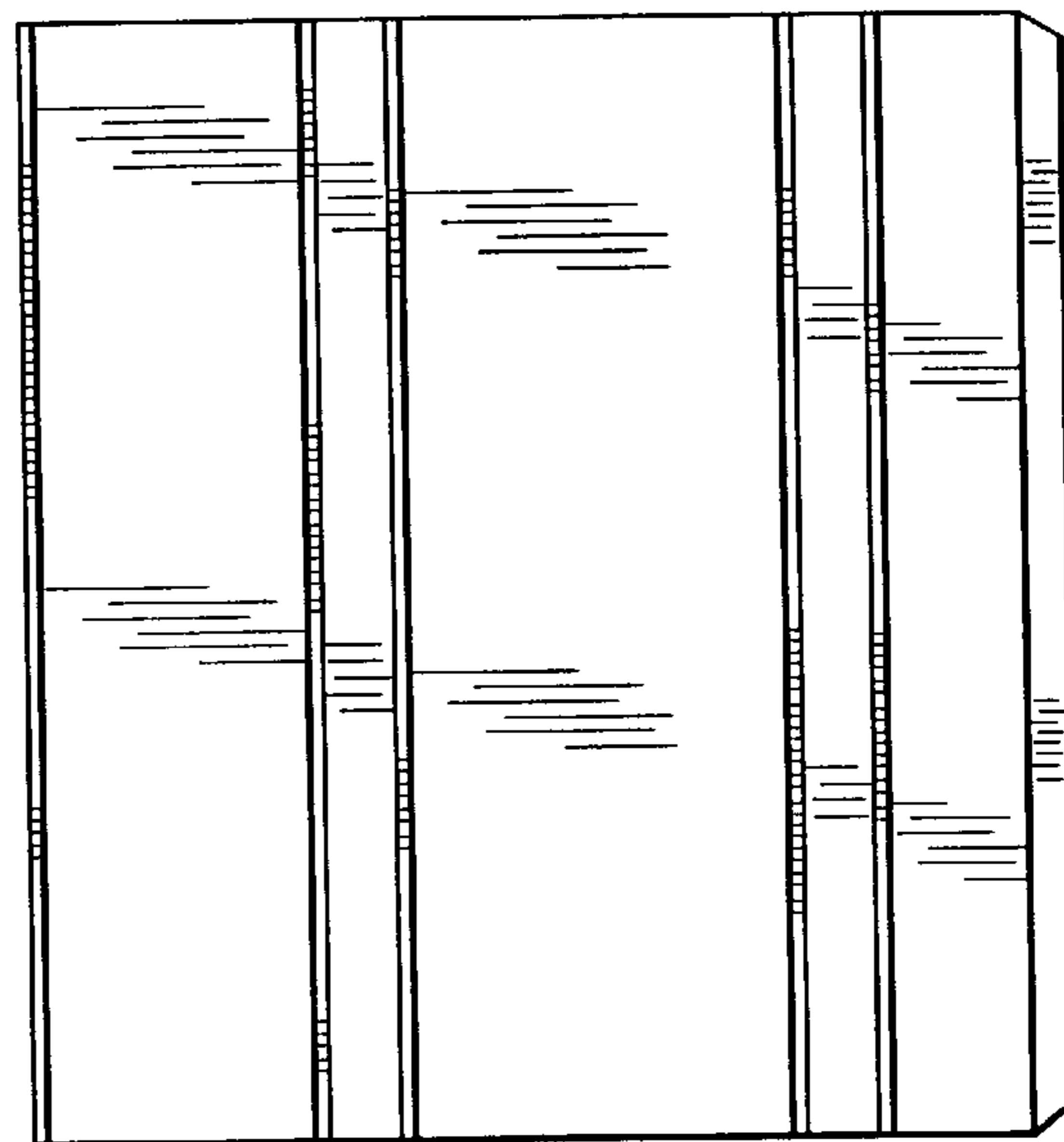


FIG. 12

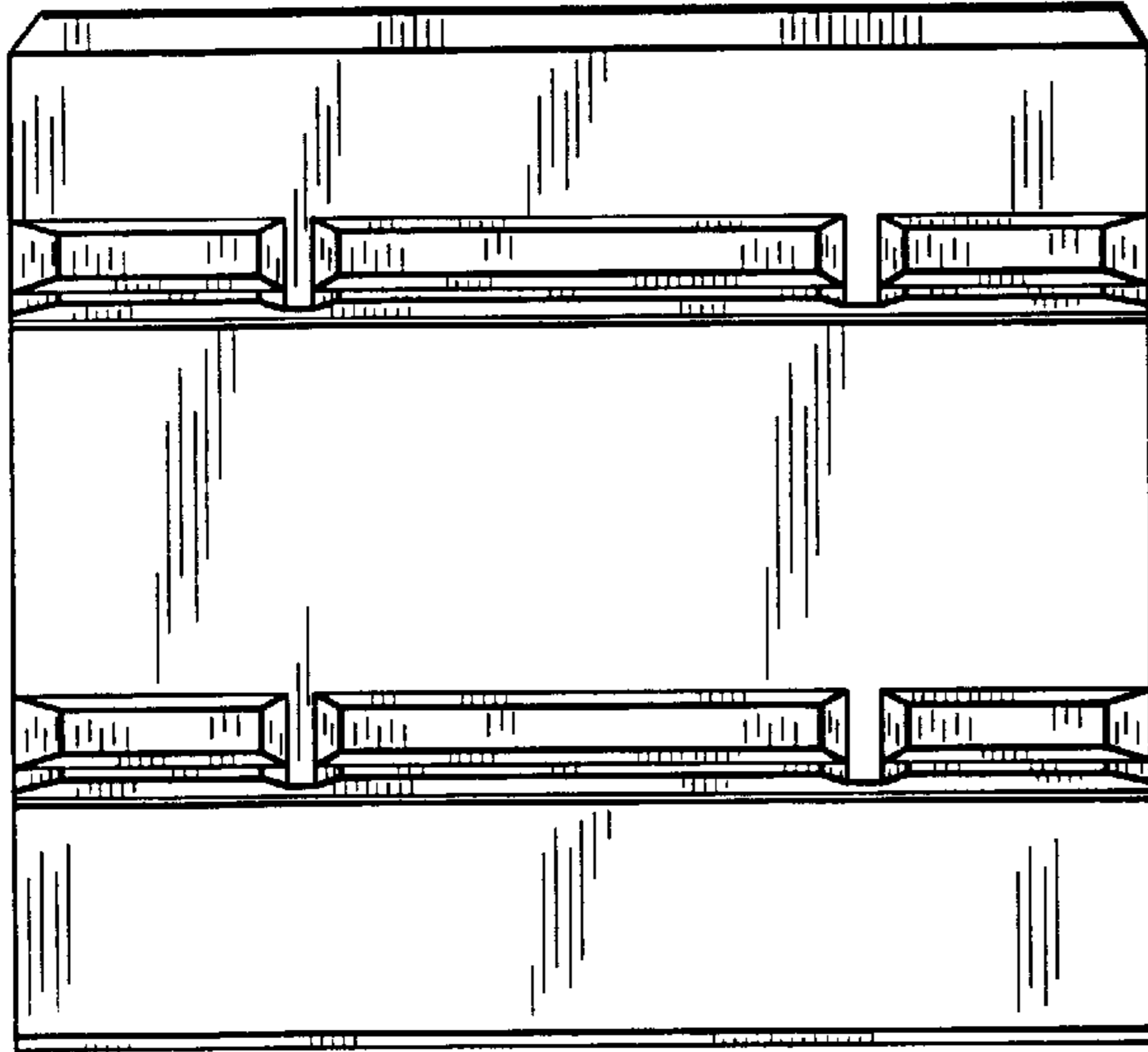


FIG. 13

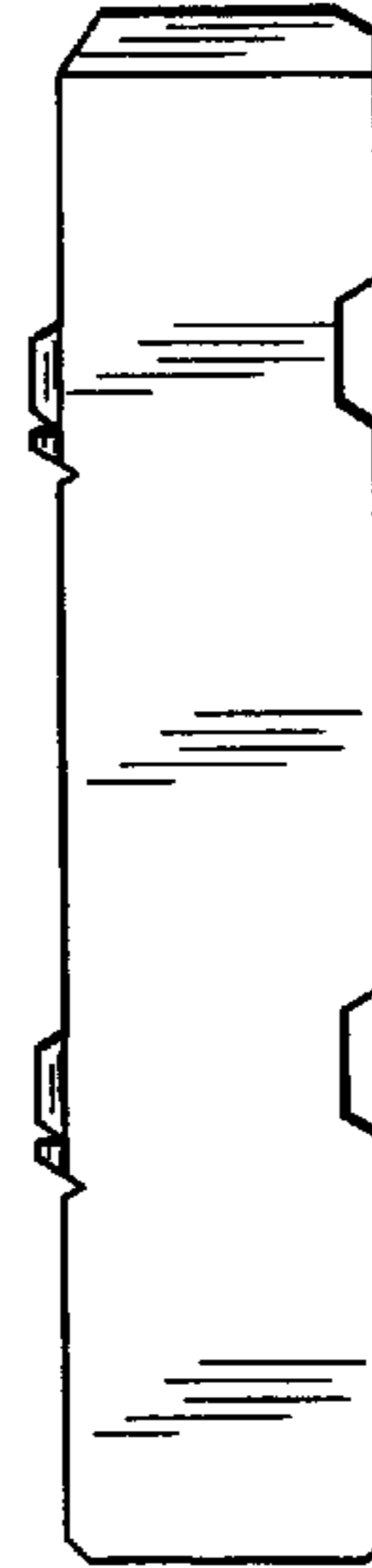


FIG. 15

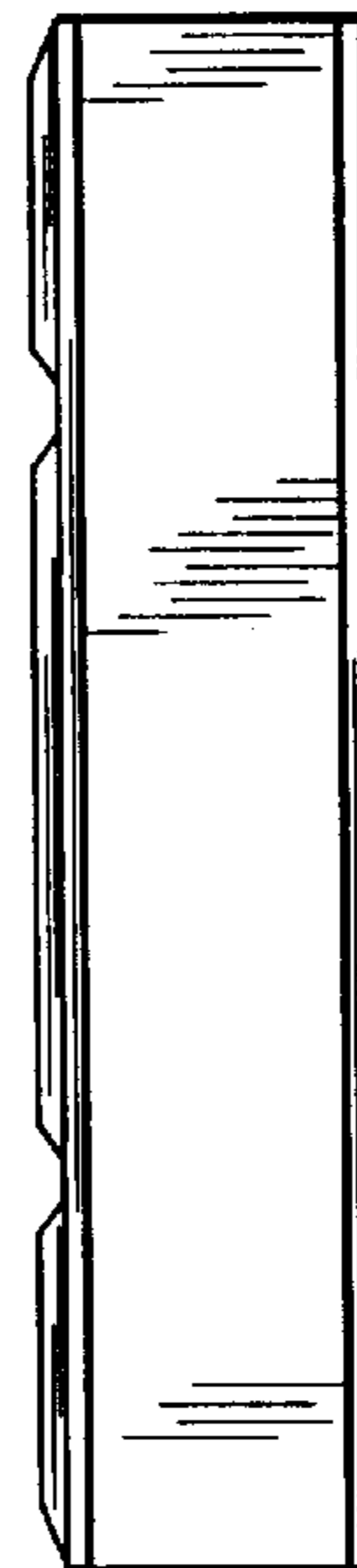


FIG. 14

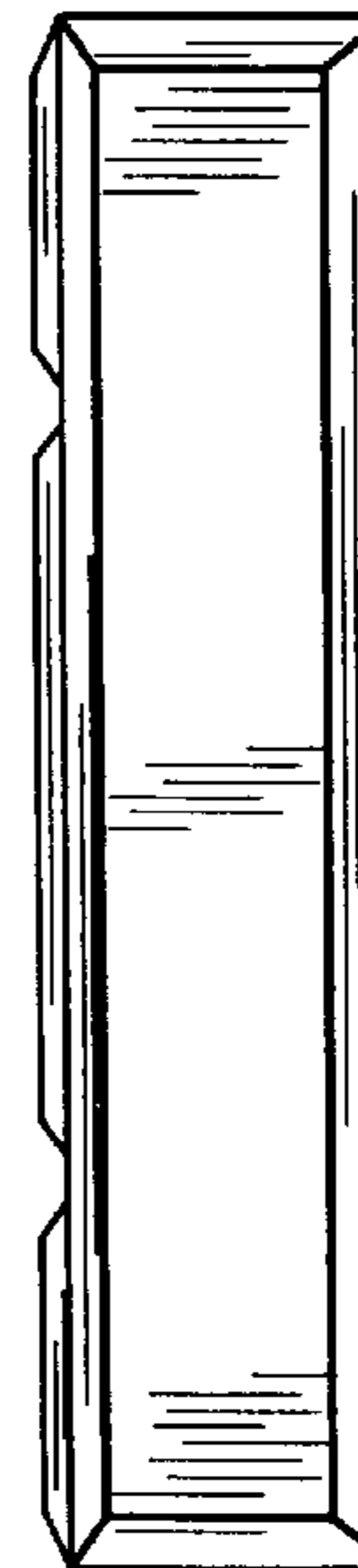


FIG. 16