



US00D517216S

(12) **United States Design Patent**  
**Zou et al.**

(10) **Patent No.:** **US D517,216 S**  
(45) **Date of Patent:** **\*\* Mar. 14, 2006**

(54) **COMBINED FOOT AND BODY MASSAGER**

(75) Inventors: **Jack Zou**, El Paso, TX (US); **Michael Cafaro**, El Paso, TX (US)

(73) Assignee: **Helen of Troy Limited**, Bridgetown (BB)

(\*\*) Term: **14 Years**

(21) Appl. No.: **29/201,286**

(22) Filed: **Mar. 12, 2004**

(51) **LOC (8) Cl.** ..... **28-03**

(52) **U.S. Cl.** ..... **D24/215**

(58) **Field of Classification Search** ..... D24/211,  
D24/200, 212, 215, 214, 213; 601/69, 111,  
601/46, 50, 70, 72, 73, 80, 94, 97, 113, 101,  
601/135, 122, 22, 15, 134, 27, 28, 30, 31,  
601/32

See application file for complete search history.

(56) **References Cited**

**U.S. PATENT DOCUMENTS**

D310,416 S \* 9/1990 Yamasaki ..... D24/211

5,573,500 A \* 11/1996 Katsunuma et al. .... 601/103  
5,857,985 A \* 1/1999 Feng ..... 601/47  
D455,837 S \* 4/2002 Kim ..... D24/215

\* cited by examiner

*Primary Examiner*—Ian Simmons

(74) *Attorney, Agent, or Firm*—Vinson & Elkins L.L.P.

(57) **CLAIM**

The ornamental design for a combined foot and body massager, as shown and described.

**DESCRIPTION**

FIG. 1 is a front elevation of a combined foot and body massager showing our new design;

FIG. 2 is a rear elevation thereof;

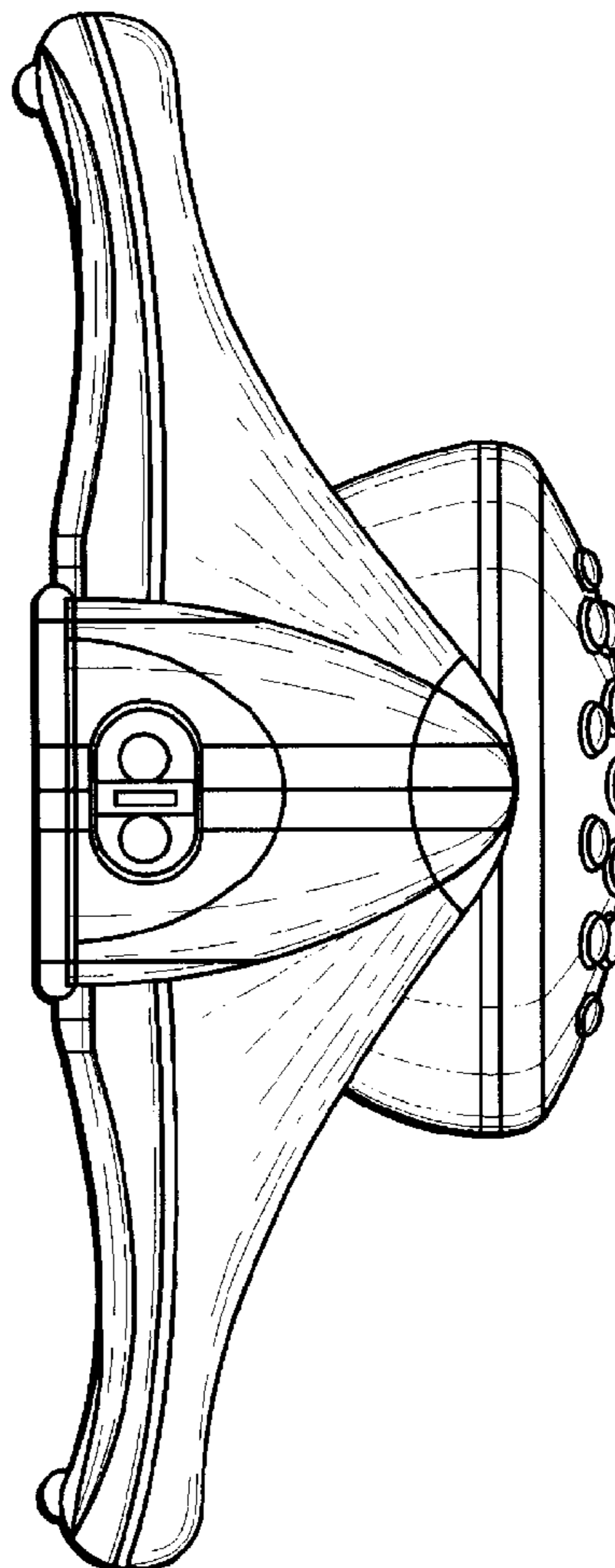
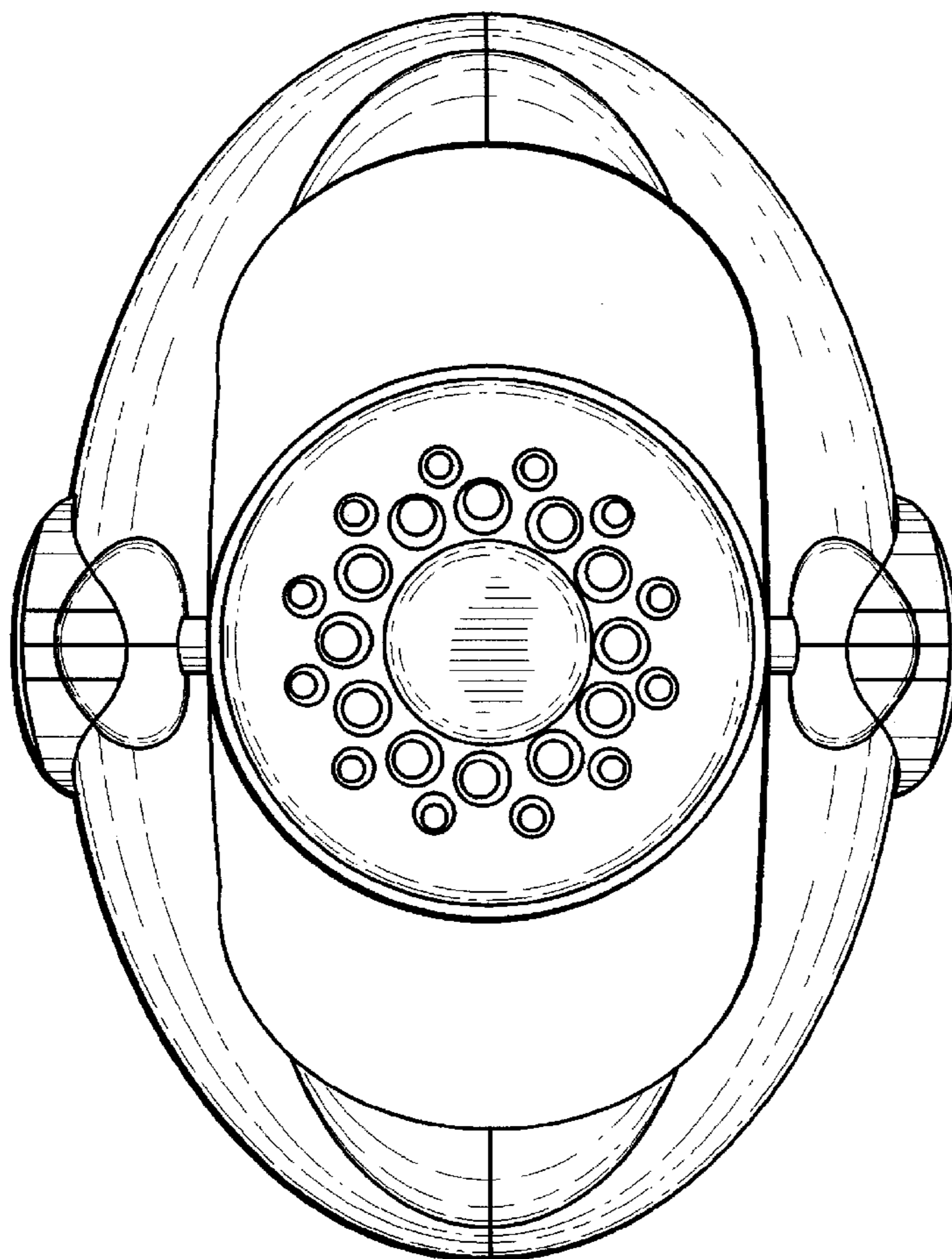
FIG. 3 is a left side elevation thereof;

FIG. 4 is a right side elevation thereof;

FIG. 5 is a top plan view thereof; and,

FIG. 6 is a bottom plan view thereof.

**1 Claim, 3 Drawing Sheets**



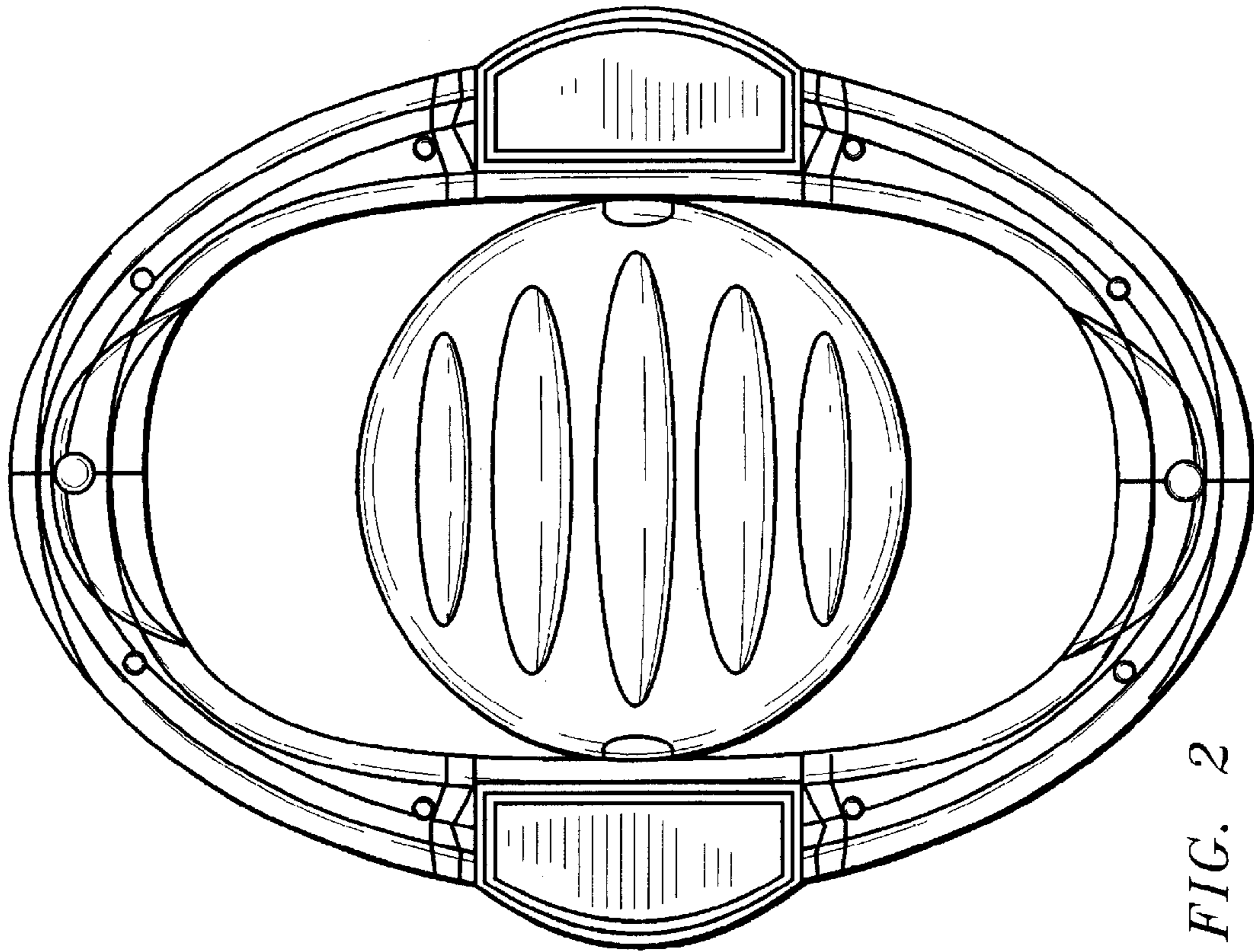


FIG. 2

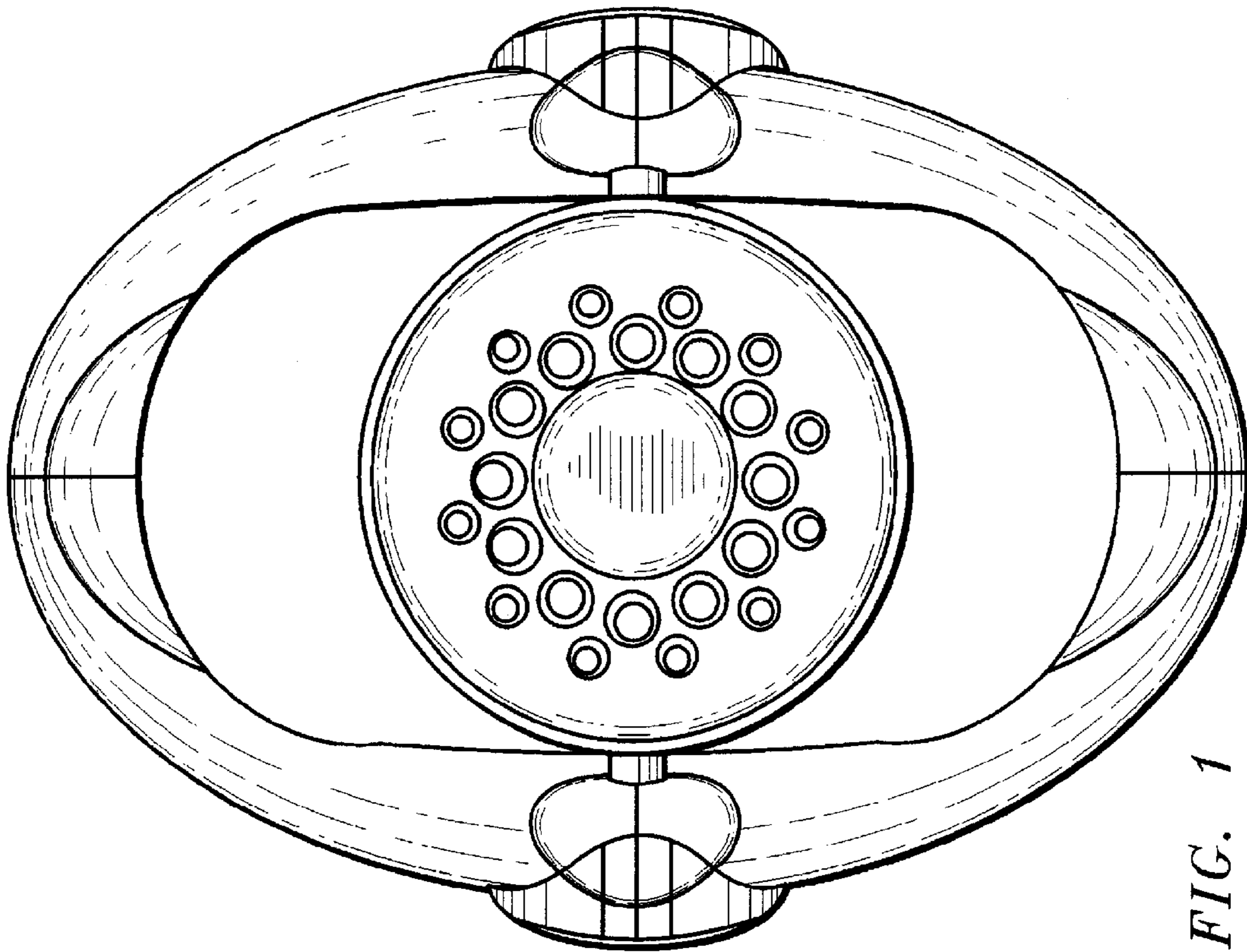


FIG. 1

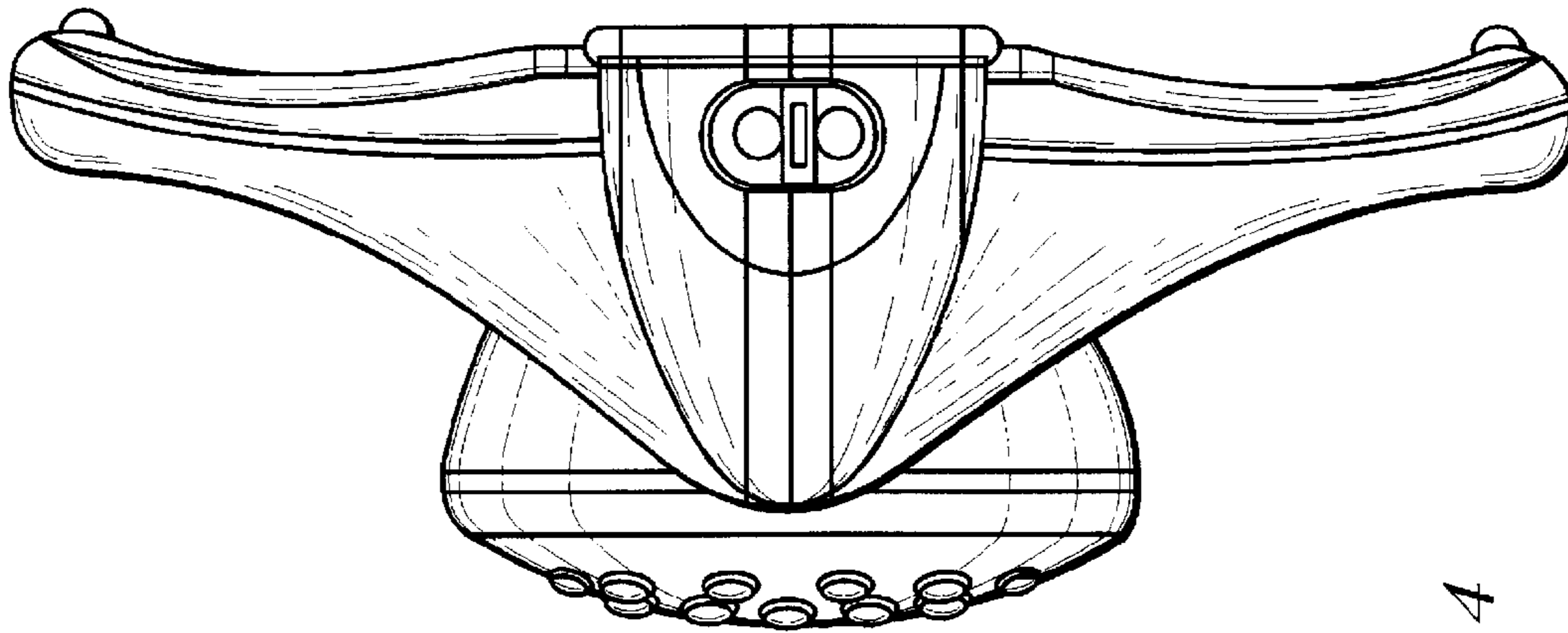


FIG. 4

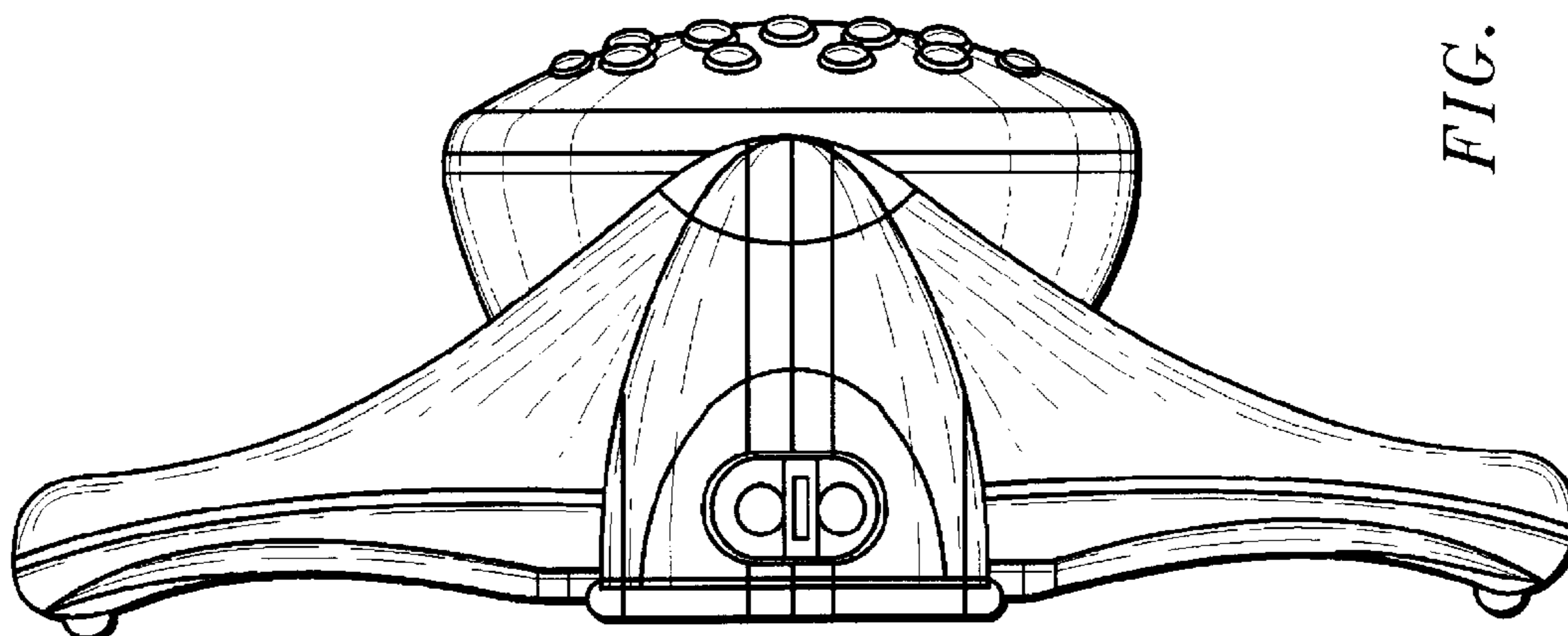


FIG. 3



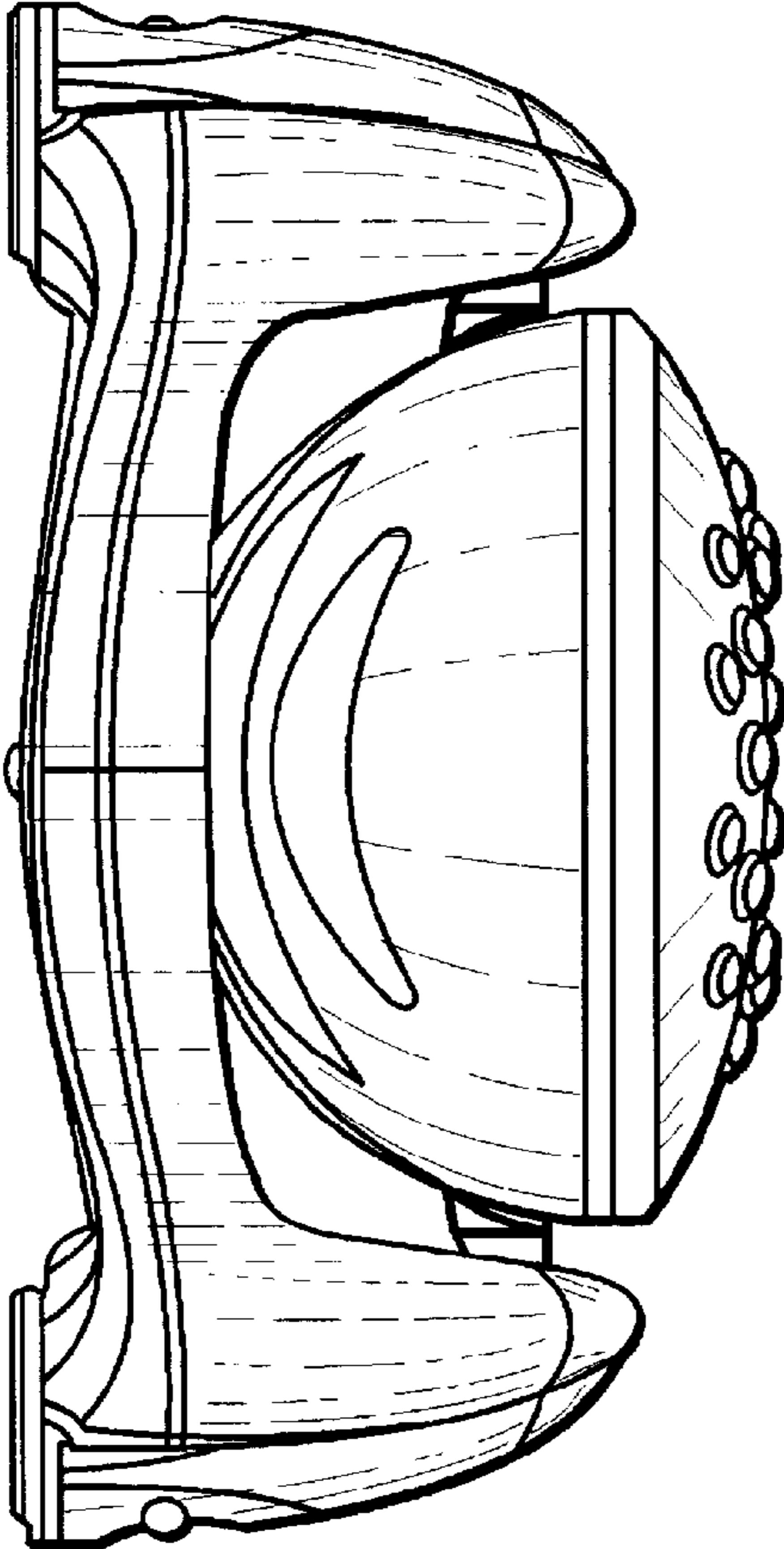


FIG. 5

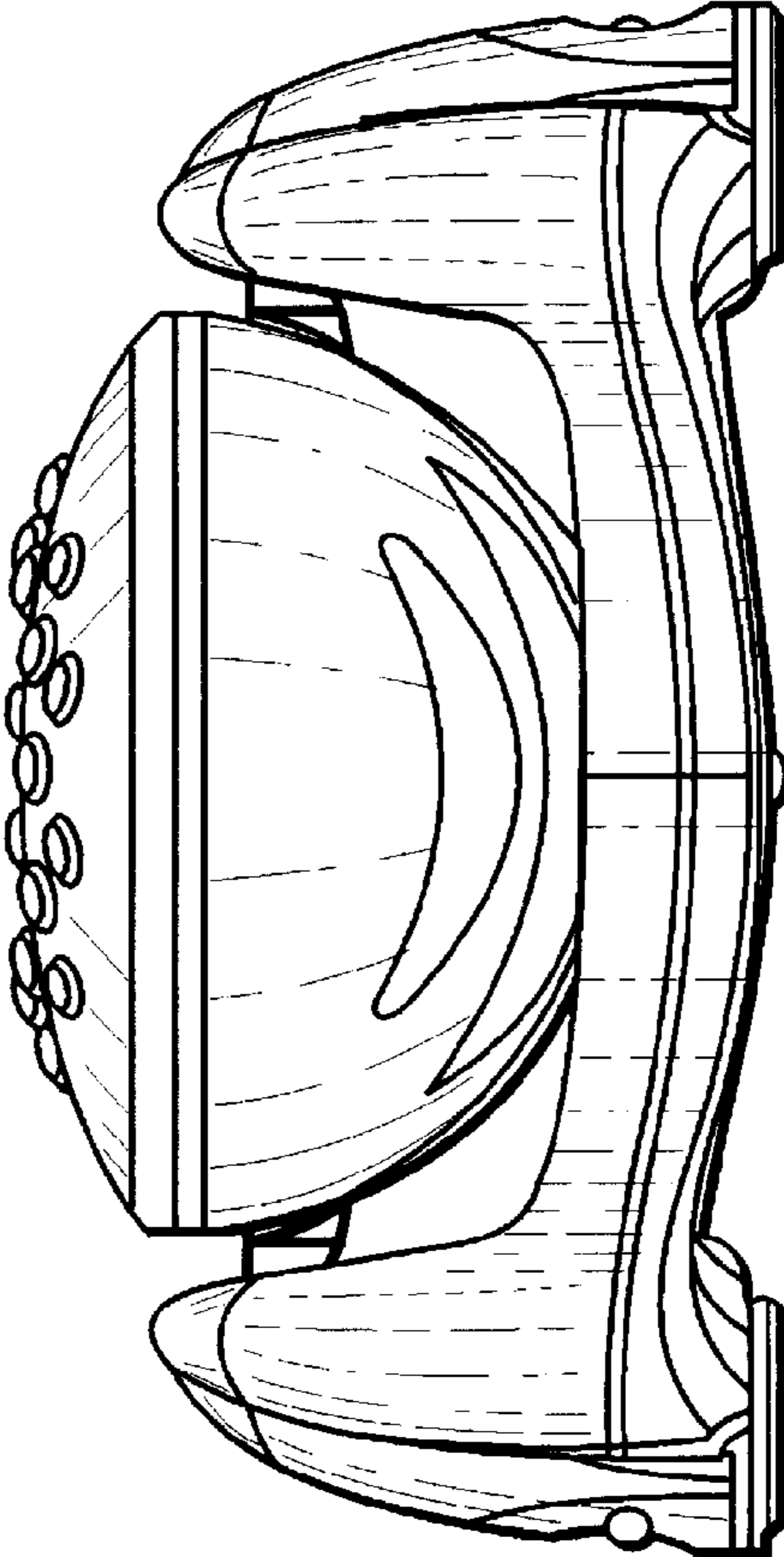


FIG. 6