



US00D517214S

(12) **United States Design Patent**
Peng

(10) **Patent No.:** **US D517,214 S**
(45) **Date of Patent:** **** Mar. 14, 2006**

(54) **SPHYGMOMANOMETER**

D415,567 S * 10/1999 Bar D24/165

(76) **Inventor:** **Shao-Yu Peng**, No. 45, Lane 10,
Jungjeng E. St., Huatan Shiang,
Changhua County (TW)

* cited by examiner

Primary Examiner—Ian Simmons

Assistant Examiner—Daniel Yu

(74) *Attorney, Agent, or Firm*—Troxell Law Office, PLLC

(**) **Term:** **14 Years**

(57) **CLAIM**

(21) **Appl. No.:** **29/206,826**

The ornamental design for a sphygmomanometer, as shown.

(22) **Filed:** **Jun. 4, 2004**

DESCRIPTION

(51) **LOC (8) Cl.** **24-02**

(52) **U.S. Cl.** **D24/165**

(58) **Field of Classification Search** D24/165;
600/490, 493, 494, 495, 479–483, 485, 500,
600/504; 128/900

FIG. 1 is a perspective view of a sphygmomanometer showing my design;
FIG. 2 is a front view thereof;
FIG. 3 is a rear view thereof;
FIG. 4 is a left side view thereof;
FIG. 5 is a right side view thereof;
FIG. 6 is a top view thereof; and,
FIG. 7 is a bottom view thereof.

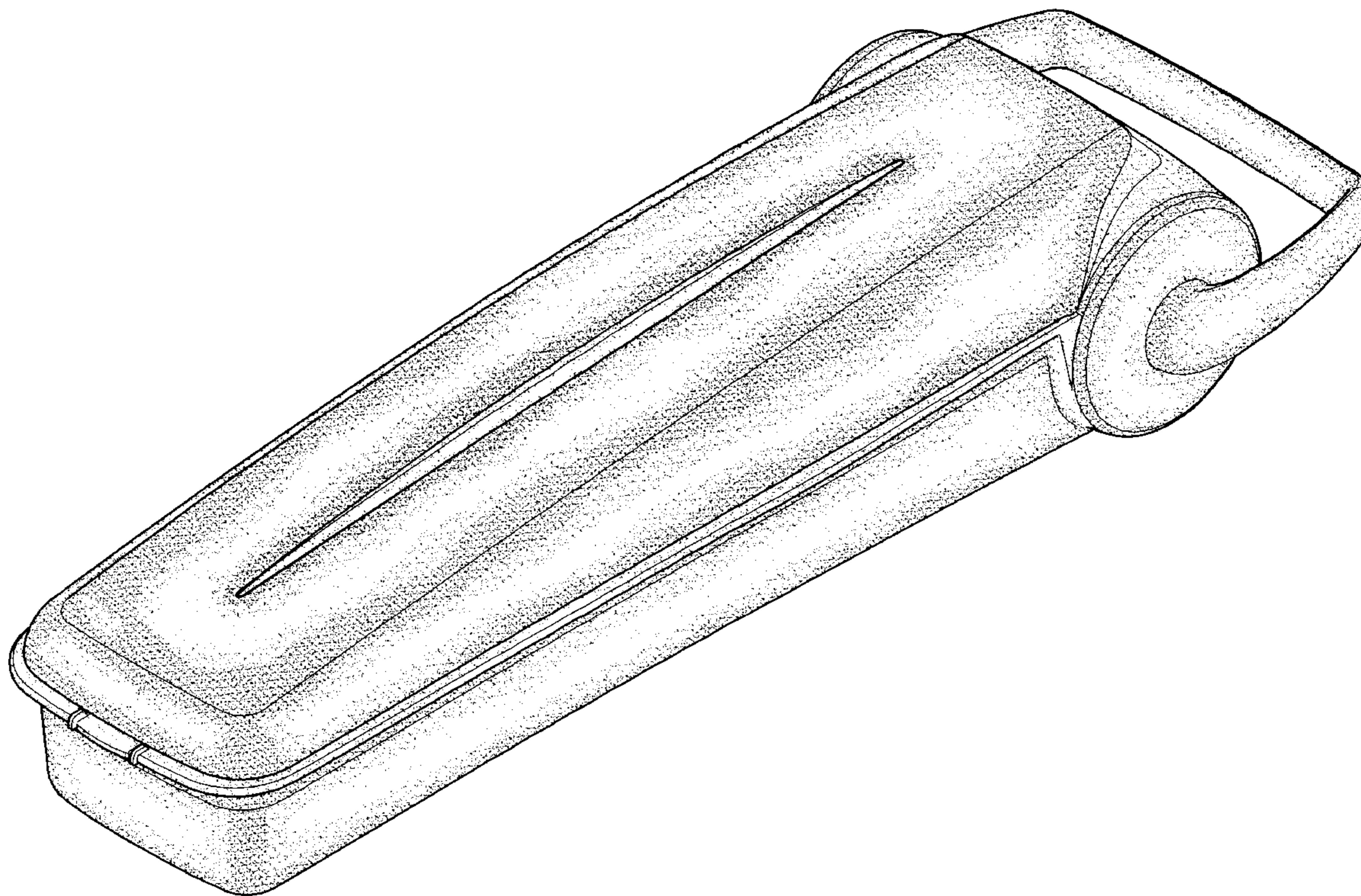
See application file for complete search history.

(56) **References Cited**

U.S. PATENT DOCUMENTS

D403,770 S * 1/1999 Ozaki et al. D24/165

1 Claim, 7 Drawing Sheets



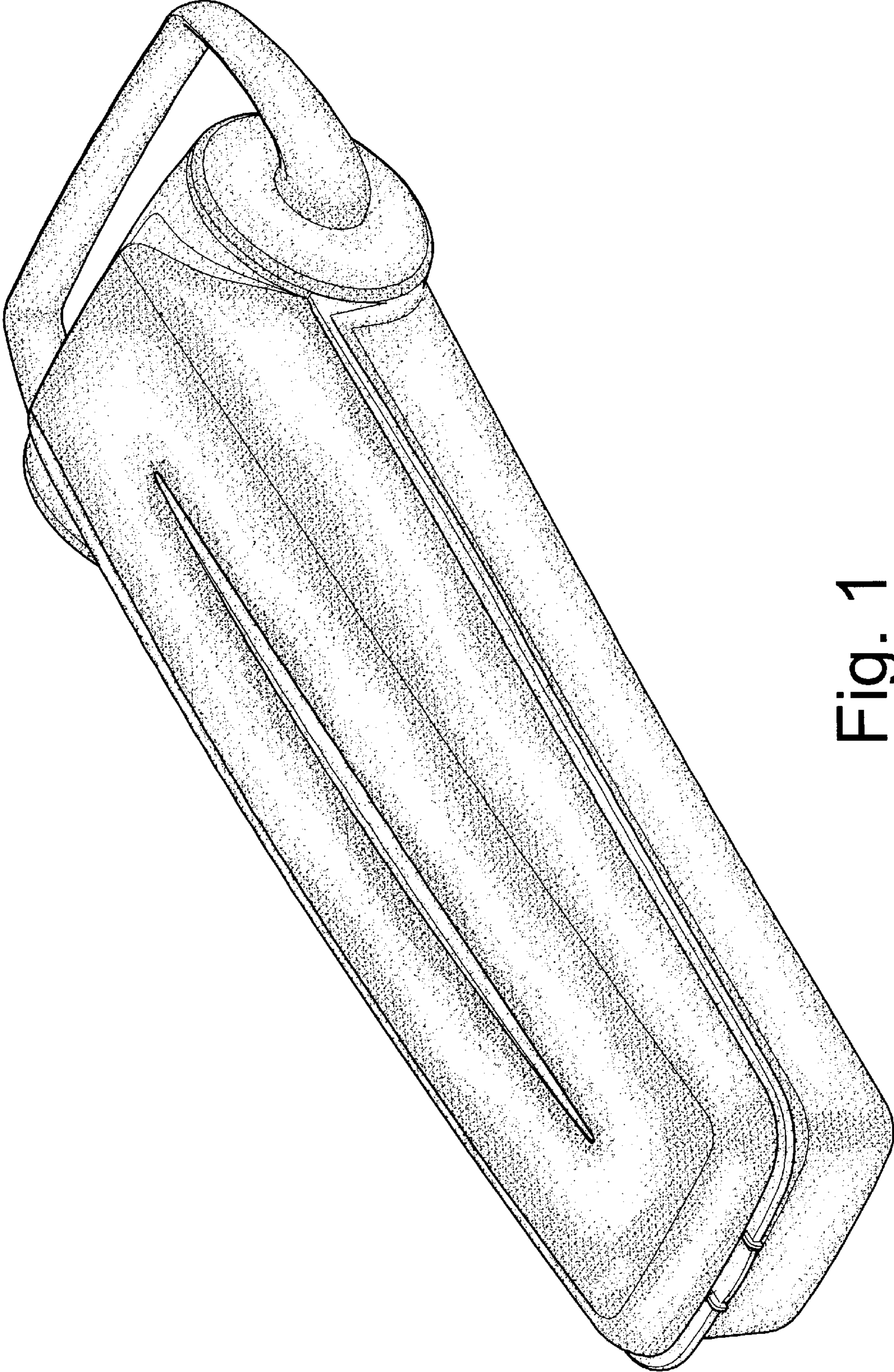


Fig. 1

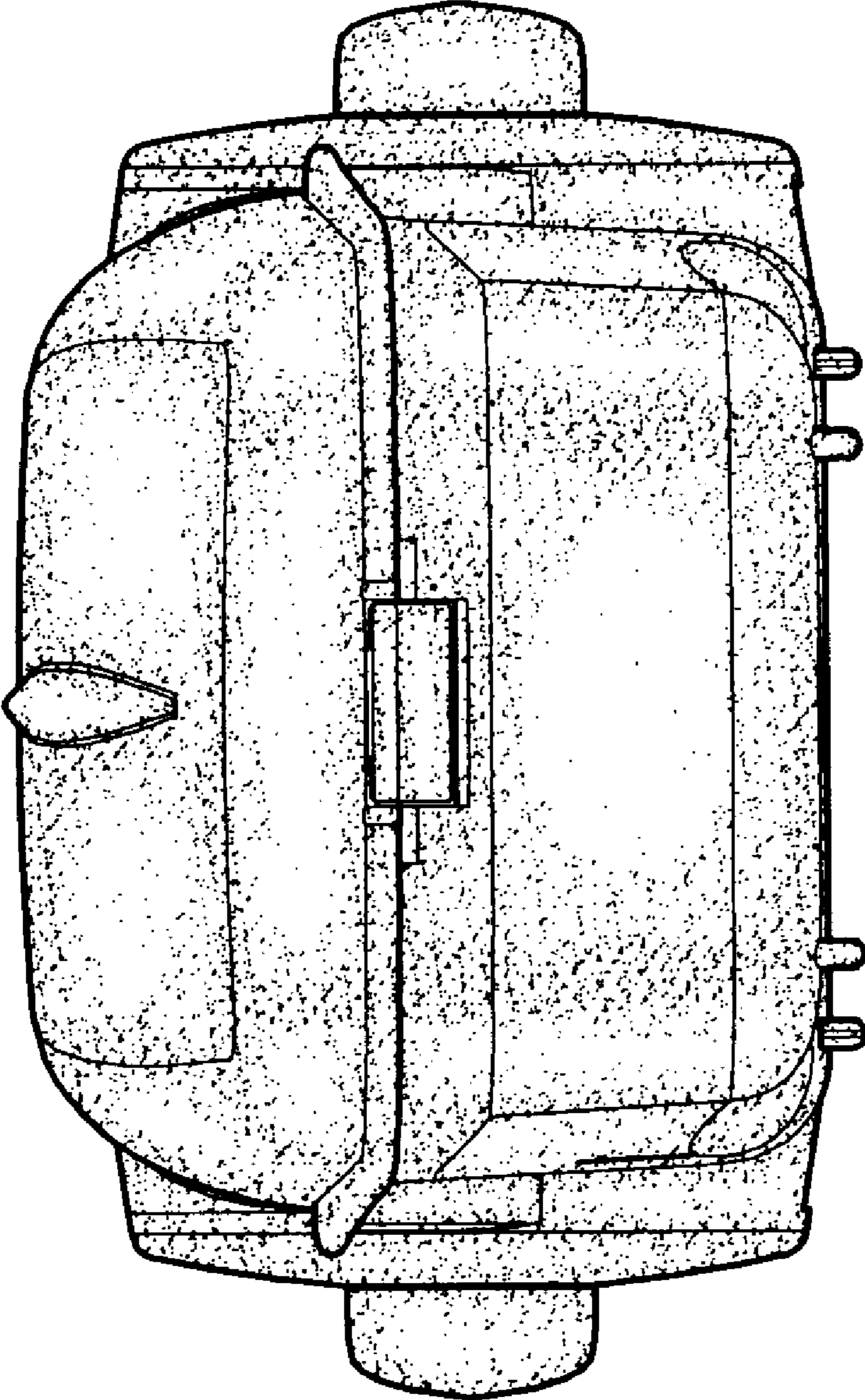


Fig. 2

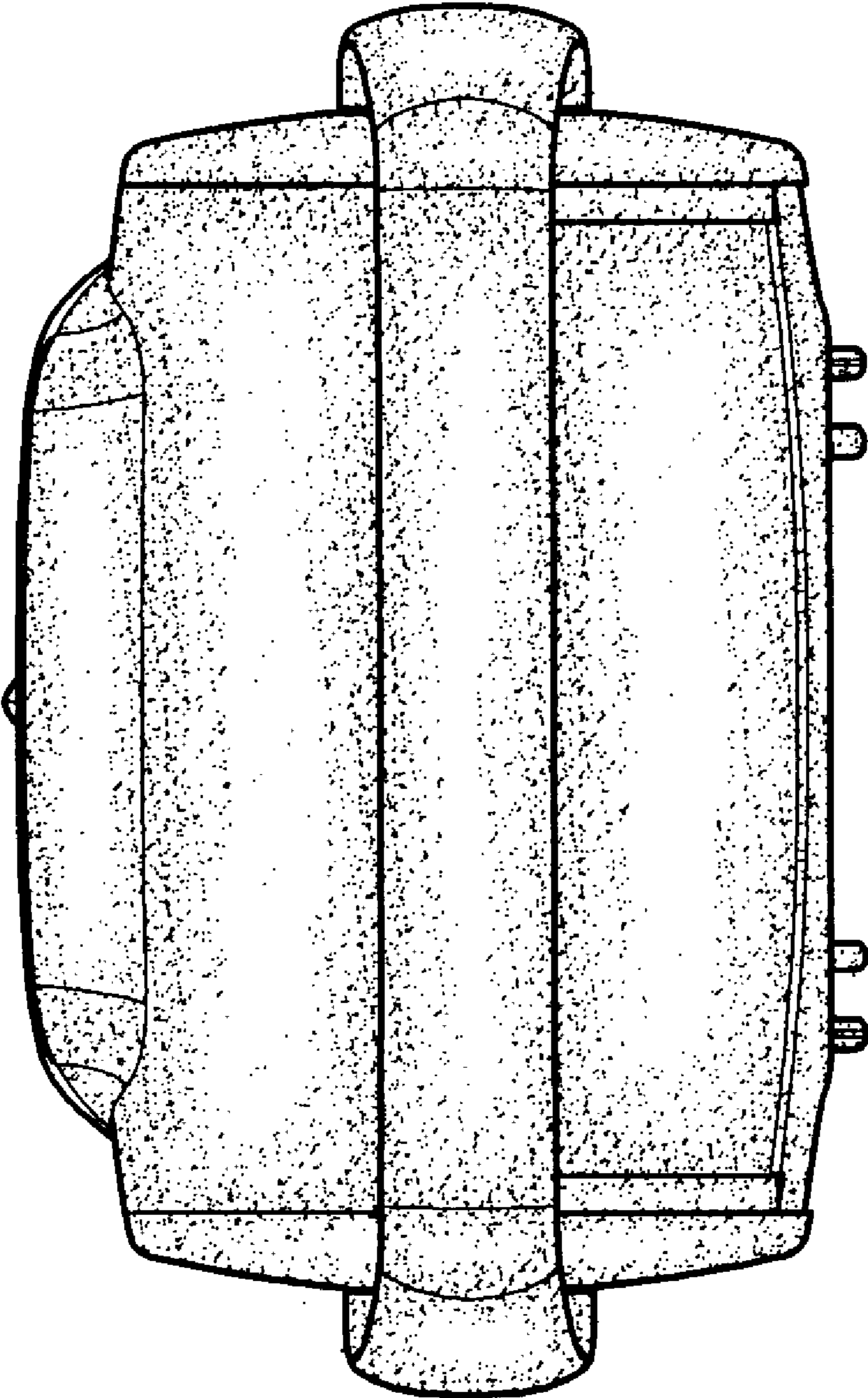


Fig. 3

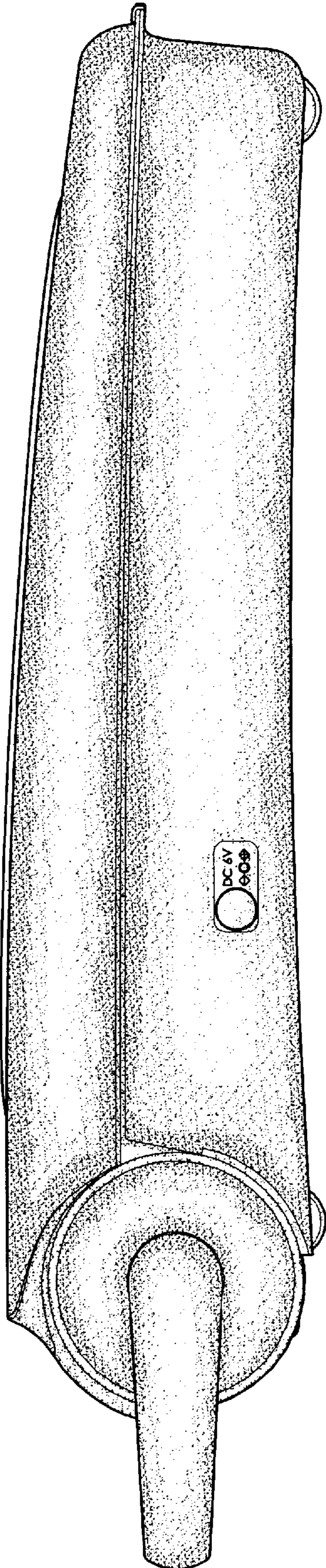


Fig. 4

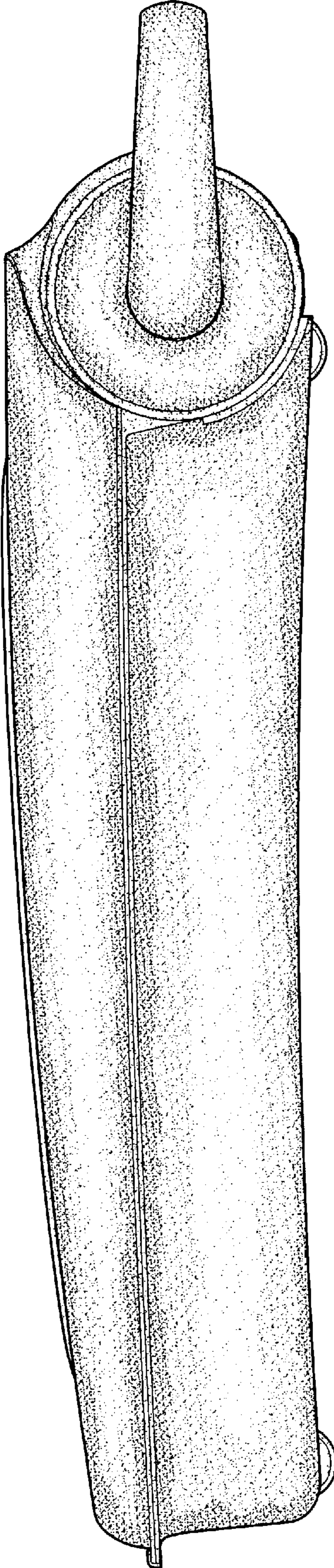


Fig. 5

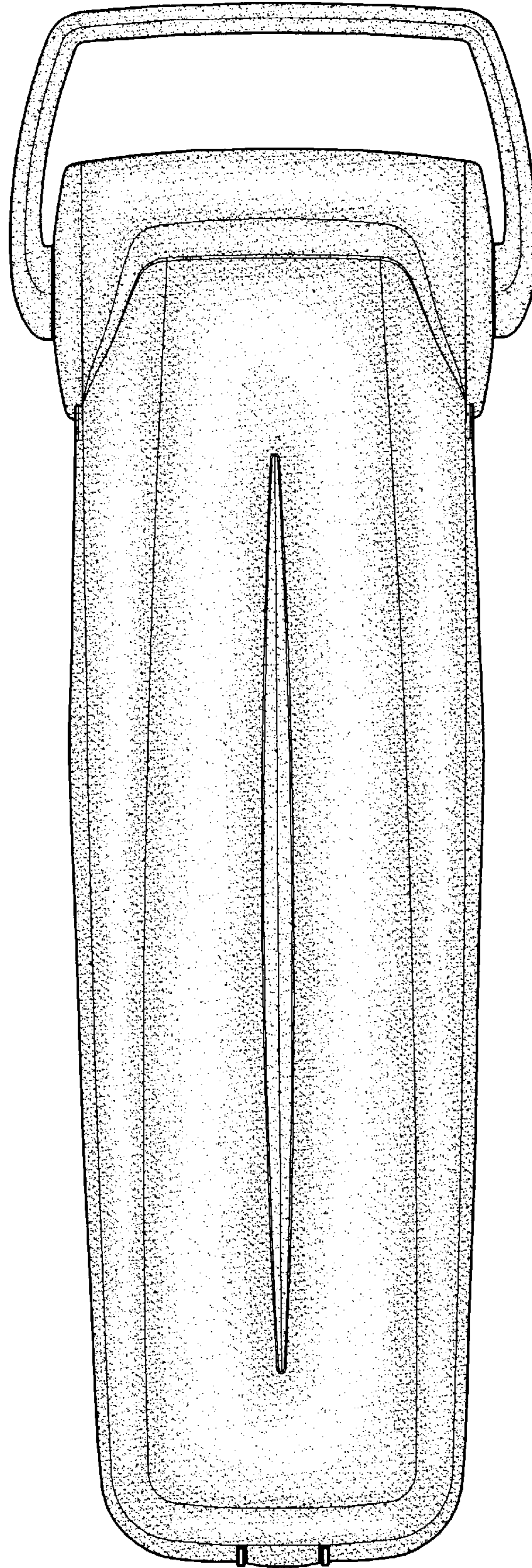


Fig. 6

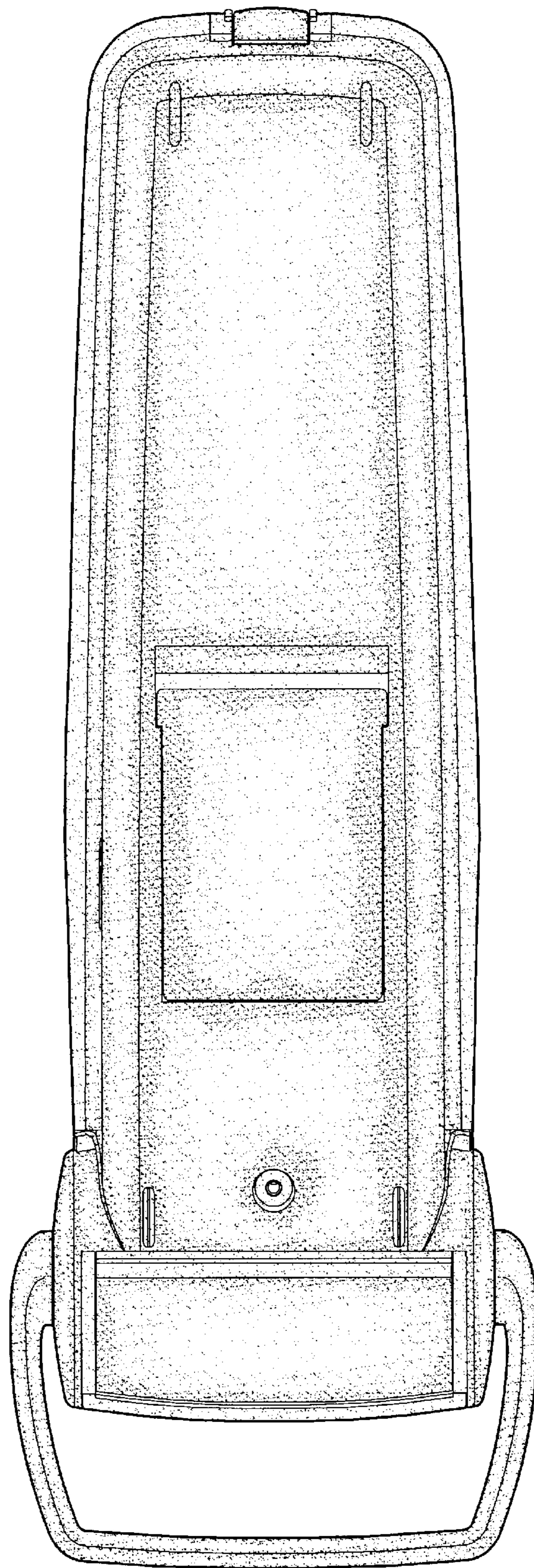


Fig. 7