



US00D517211S

(12) **United States Design Patent**
Nuttall et al.

(10) **Patent No.:** **US D517,211 S**
(45) **Date of Patent:** **** Mar. 14, 2006**

(54) **REFLEX HAMMER**

D427,679 S * 7/2000 Coe D24/142
D449,108 S * 10/2001 Najmi D24/142

(75) Inventors: **Michael John Nuttall**, Palo Alto, CA
(US); **Adam Reineck**, Palo Alto, CA
(US)

* cited by examiner

Primary Examiner—Ian Simmons
(74) *Attorney, Agent, or Firm*—Carr & Ferrell LLP

(73) Assignee: **Thomas Direct Sales, Inc.**, Clifton, NJ
(US)

(57) **CLAIM**

(**) Term: **14 Years**

The ornamental design for a reflex hammer, as shown and described.

(21) Appl. No.: **29/225,906**

DESCRIPTION

(22) Filed: **Mar. 21, 2005**

FIG. 1 is a perspective view of the reflex hammer showing front and right sides of our new design;
FIG. 2 is a right side view of the reflex hammer of FIG. 1, the left side view being a mirror image;
FIG. 3 is a front view of the reflex hammer of FIG. 1;
FIG. 4 is a rear view of the reflex hammer of FIG. 1;
FIG. 5 is a bottom view of the reflex hammer of FIG. 1;
FIG. 6 is a top view of the reflex hammer of FIG. 1; and,
FIG. 7 is a perspective view of the reflex hammer of FIG. 1 with a hammer portion extended.

(51) **LOC (8) Cl.** **24-02**

(52) **U.S. Cl.** **D24/142**

(58) **Field of Classification Search** D24/142;
600/553, 552, 557; 601/107

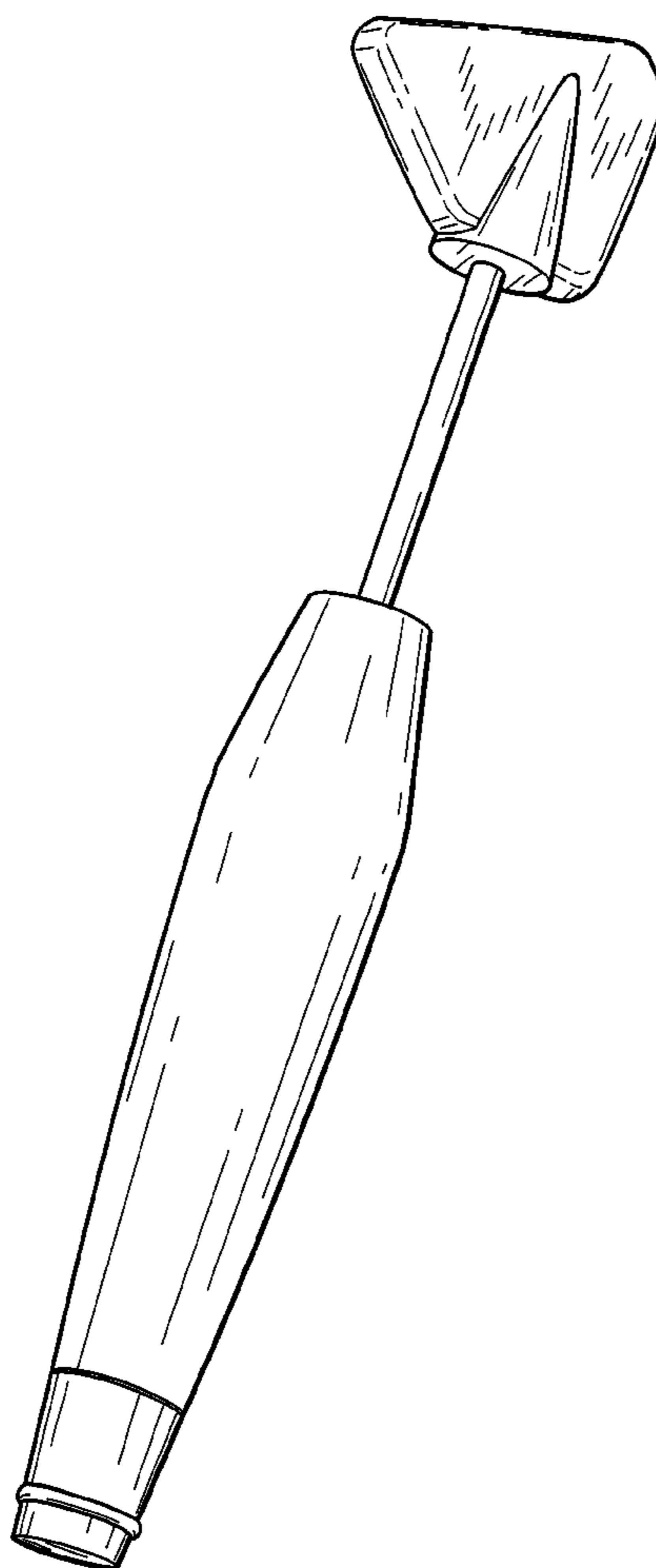
See application file for complete search history.

(56) **References Cited**

U.S. PATENT DOCUMENTS

3,344,781 A * 10/1967 Allen D24/142

1 Claim, 3 Drawing Sheets



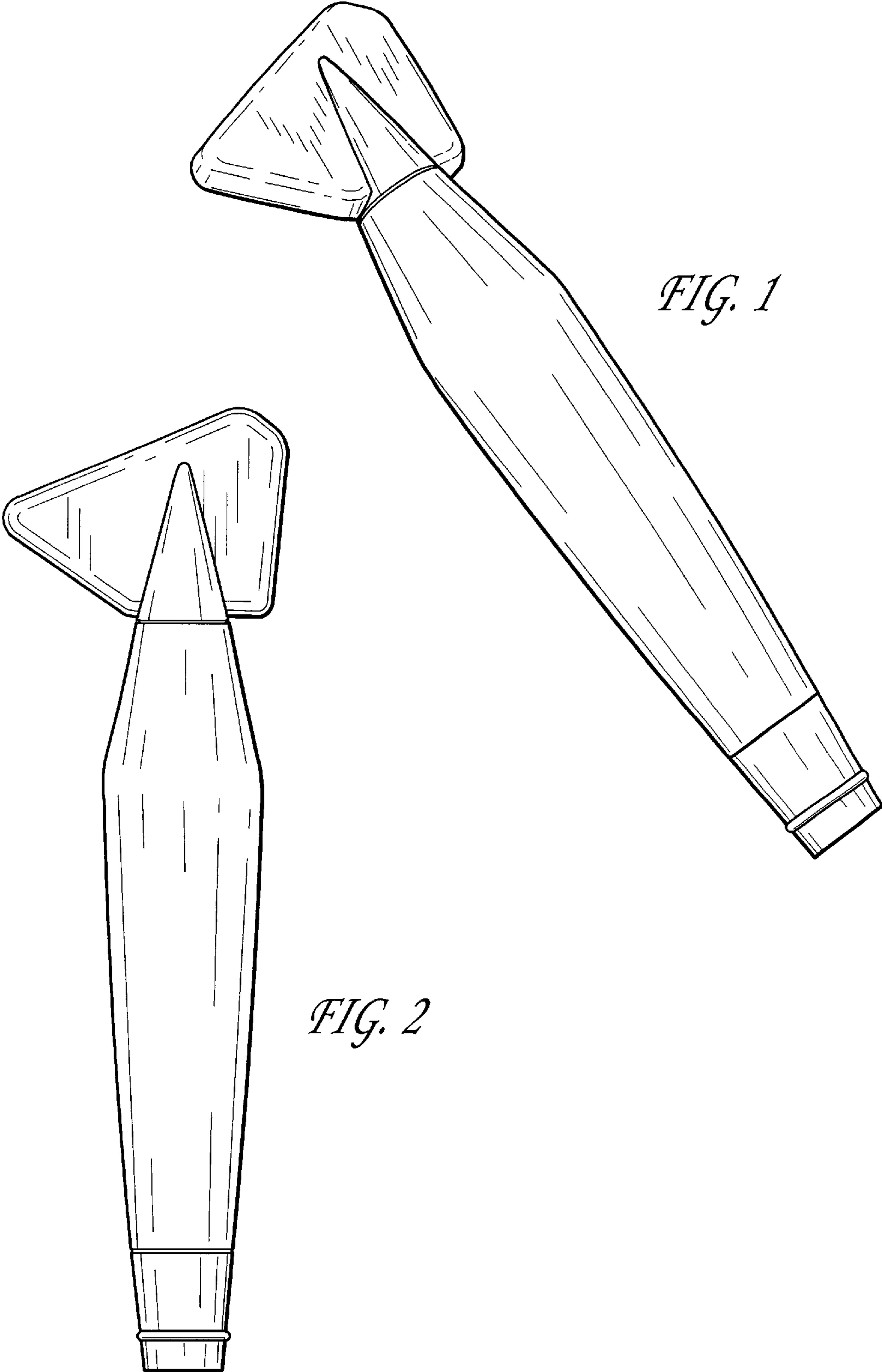


FIG. 1

FIG. 2

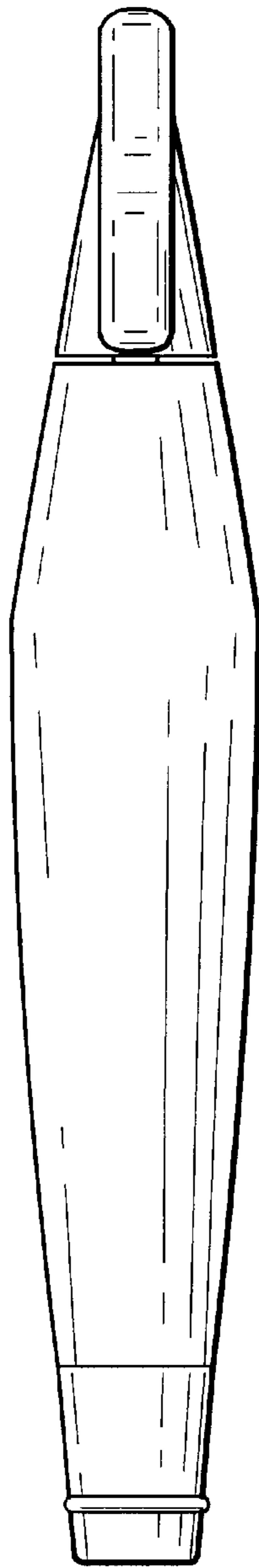


FIG. 3



FIG. 4

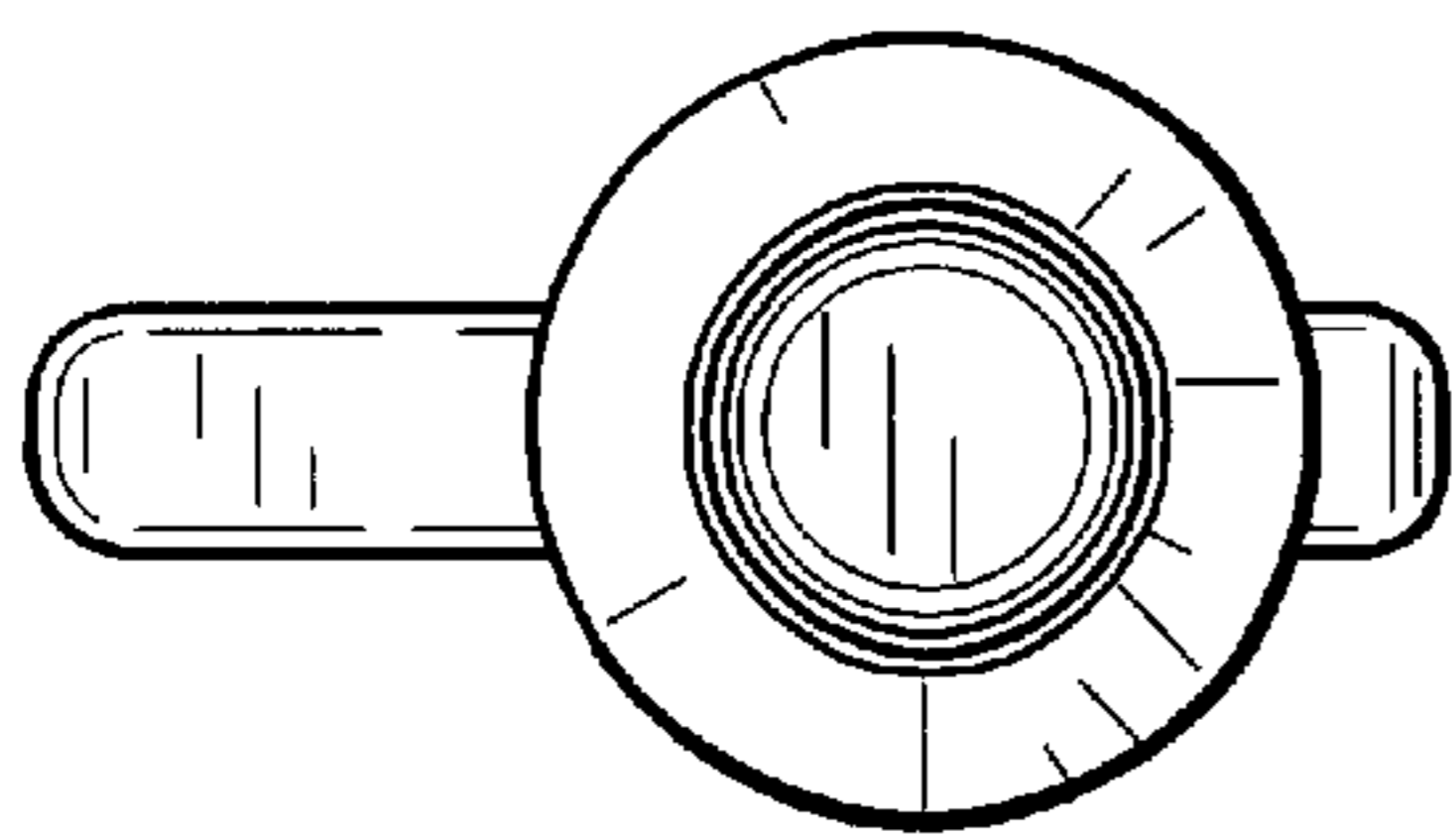


FIG. 5

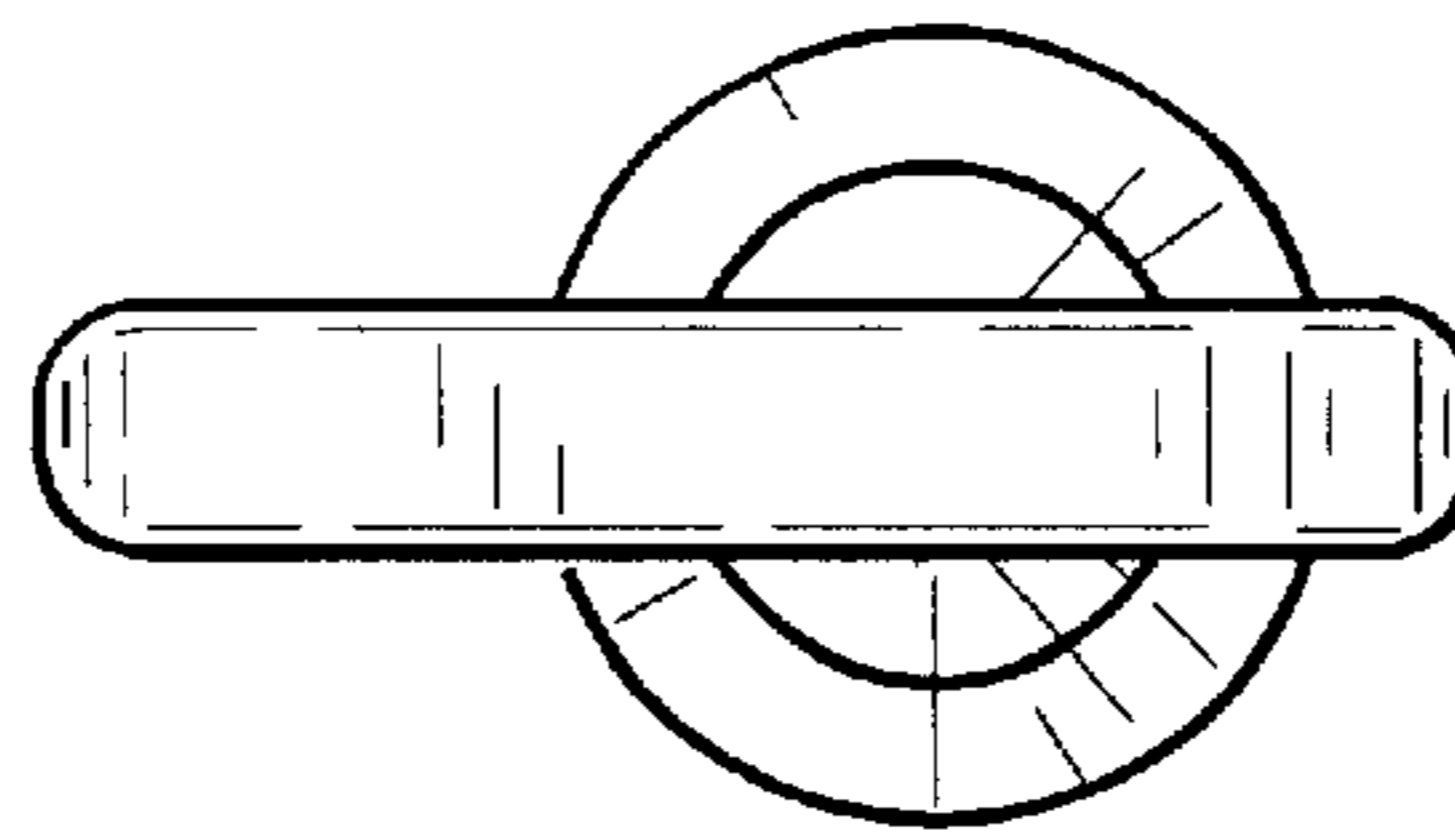


FIG. 6

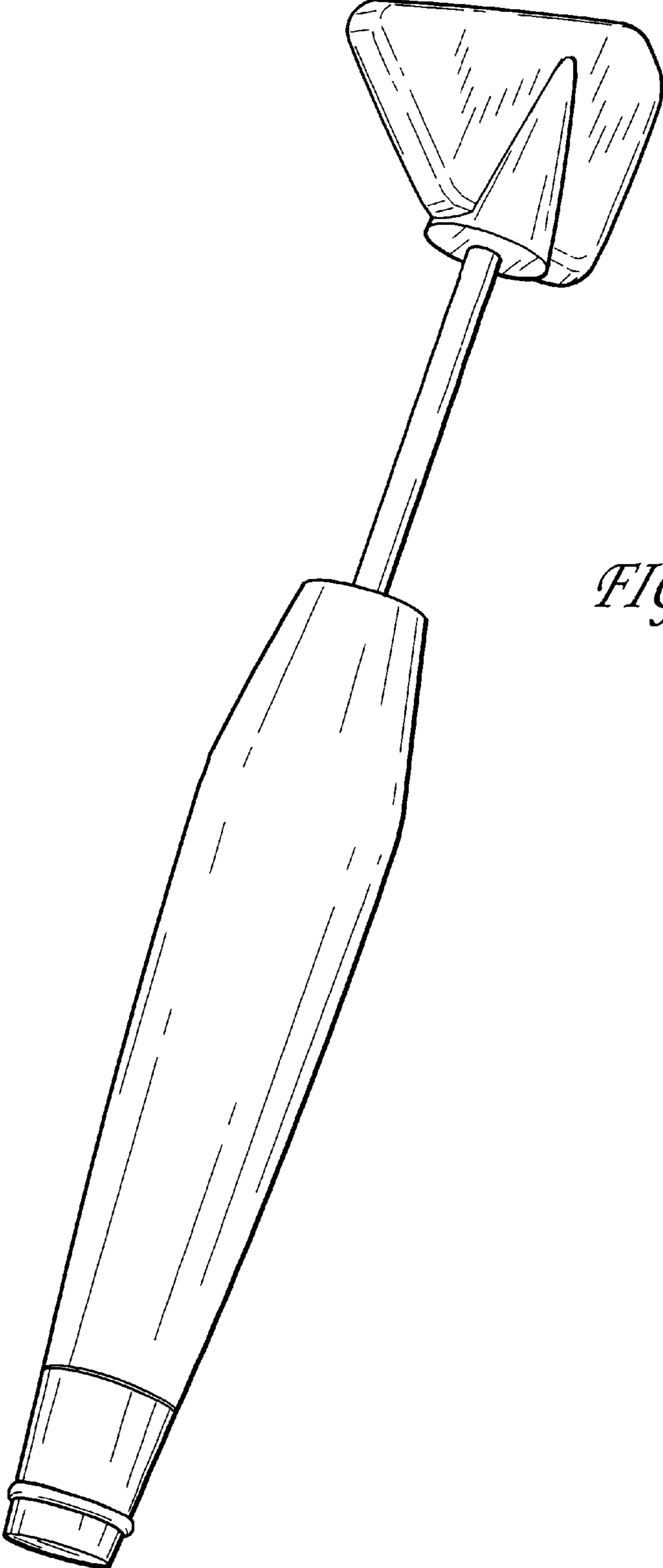


FIG. 7

UNITED STATES PATENT AND TRADEMARK OFFICE
CERTIFICATE OF CORRECTION

PATENT NO. : Des. 517,211 S
APPLICATION NO. : 29/225906
DATED : March 14, 2006
INVENTOR(S) : Michael John Nuttall et al.

Page 1 of 1


It is certified that error appears in the above-identified patent and that said Letters Patent is hereby corrected as shown below:

In Section (75) on the face of the issued patent, "Michael John Nuttall, Palo Alto, CA (US)" should read ---Michael John Nuttall, Portola Valley, CA (US)---

In Section (75) on the face of the issued patent, "Adam Reineck, Palo Alto, CA (US)" should read ---Adam Reineck, San Francisco, CA (US)---

Signed and Sealed this

First Day of August, 2006

A handwritten signature in black ink on a light gray dotted background. The signature reads "Jon W. Dudas" in a cursive, stylized script.

JON W. DUDAS

Director of the United States Patent and Trademark Office