



US00D517209S

(12) **United States Design Patent**  
**Burton et al.**

(10) **Patent No.:** **US D517,209 S**  
(45) **Date of Patent:** **\*\* Mar. 14, 2006**

- (54) **LUER FITTING CONNECTOR**
- (75) Inventors: **David G. Burton**, Bloomington, IN (US); **Scott K. Philhower**, Bloomington, IN (US)
- (73) Assignee: **Cook Incorporated**, Bloomington, IN (US)
- (\*\*) Term: **14 Years**
- (21) Appl. No.: **29/202,141**
- (22) Filed: **Mar. 26, 2004**
- (51) **LOC (8) Cl.** ..... **24-02**
- (52) **U.S. Cl.** ..... **D24/129; D24/130**
- (58) **Field of Classification Search** ..... D24/129, D24/130, 108, 112; 604/410, 411, 187, 188, 604/533, 416, 95, 177, 165.03  
See application file for complete search history.

- 5,303,964 A 4/1994 Yi
- 5,531,723 A \* 7/1996 Solazzo ..... 604/533
- 5,549,583 A 8/1996 Sanford et al.
- 5,611,576 A 3/1997 Guala
- 5,620,427 A 4/1997 Werschmidt et al.
- 5,651,776 A 7/1997 Appling et al.
- D382,639 S 8/1997 Musgrave et al.
- D387,147 S 12/1997 Vandermast et al.
- 5,702,374 A 12/1997 Johnson
- D388,876 S 1/1998 Sampson
- 5,984,373 A 11/1999 Fitoussi et al.
- 6,039,302 A 3/2000 Cote, Sr. et al.
- 6,152,913 A 11/2000 Feith et al.
- 6,171,287 B1 1/2001 Lynn et al.
- D439,663 S \* 3/2001 Guala ..... D24/129
- 6,260,890 B1 7/2001 Mason
- 6,332,633 B1 12/2001 Fitoussi et al.
- 6,344,033 B1 2/2002 Jepson et al.
- D454,637 S \* 3/2002 Nestenborg ..... D24/130
- 6,402,207 B1 6/2002 Segal et al.
- 6,485,473 B1 11/2002 Lynn
- D473,305 S 4/2003 Halseth
- D483,869 S \* 12/2003 Tran et al. .... D24/129

(56) **References Cited**

**U.S. PATENT DOCUMENTS**

- 3,616,866 A 11/1971 Verheul
- 3,751,077 A 8/1973 Hiszpanski
- 4,187,846 A 2/1980 Lolachi et al.
- 4,266,815 A 5/1981 Cross
- 4,296,949 A 10/1981 Muetterties et al.
- 4,369,781 A 1/1983 Gilson et al.
- D268,871 S \* 5/1983 Benham et al. .... D24/129
- D271,904 S 12/1983 Tucker
- 4,439,188 A 3/1984 Dennehey et al.
- 4,452,473 A 6/1984 Ruschke
- 4,504,268 A 3/1985 Herlitz
- 4,607,868 A 8/1986 Harvey et al.
- 4,629,455 A 12/1986 Kanno
- 4,639,019 A 1/1987 Mittleman
- 4,676,530 A 6/1987 Nordgren et al.
- 4,735,441 A 4/1988 Stephens
- D302,729 S 8/1989 Stephens et al.
- D303,013 S 8/1989 Konopka
- 5,047,021 A 9/1991 Utterberg
- D330,252 S 10/1992 Barquist
- 5,176,415 A 1/1993 Choksi
- 5,286,067 A 2/1994 Choksi

\* cited by examiner

*Primary Examiner*—Ian Simmons

*Assistant Examiner*—Daniel Yu

(74) *Attorney, Agent, or Firm*—Brinks Hofer Gilson & Lione

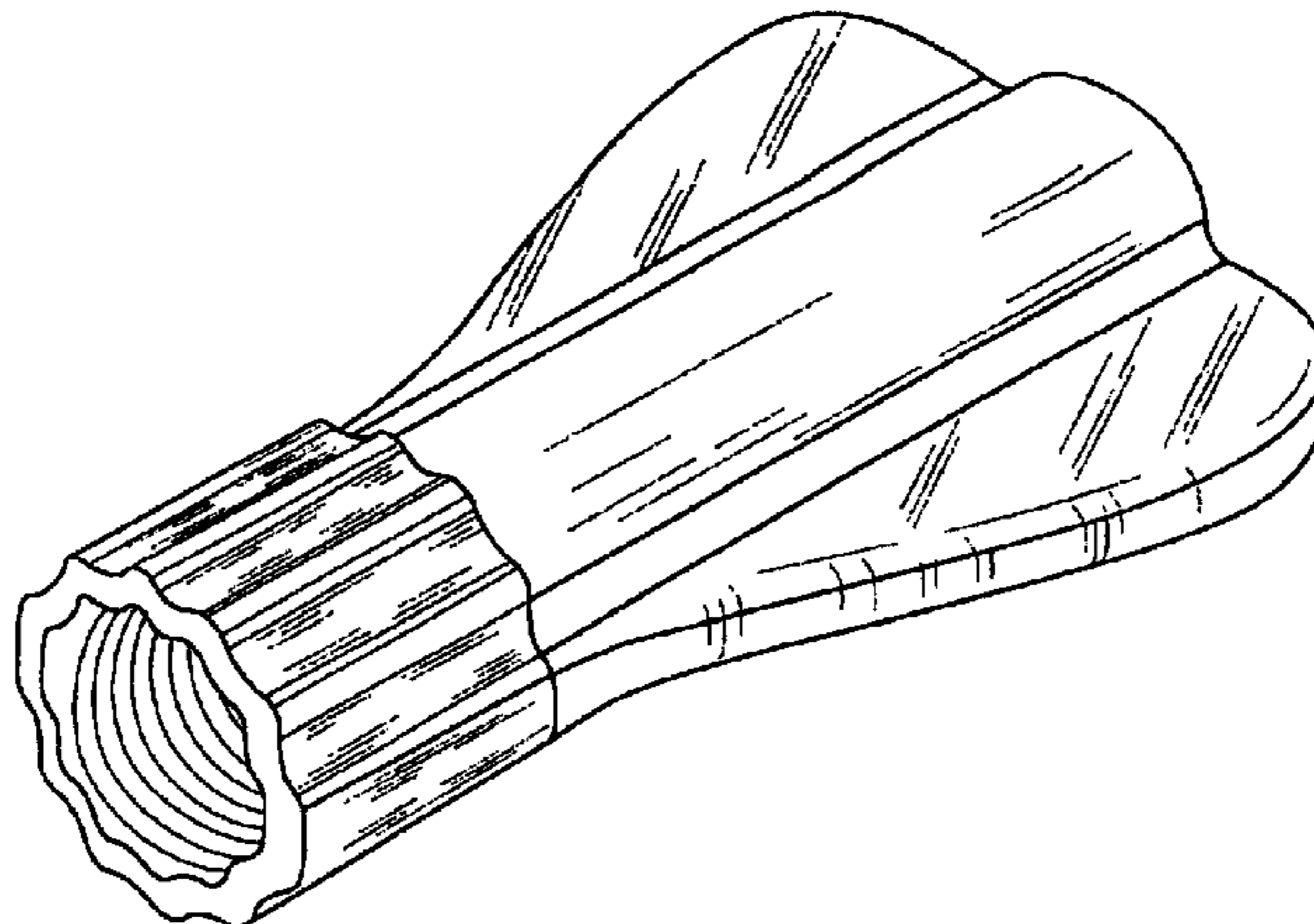
(57) **CLAIM**

We claim the ornamental design for a luer fitting connector, as shown and described.

**DESCRIPTION**

FIG. 1 is a perspective view of a luer fitting connector, showing our new, original and ornamental design; FIG. 2 is a front elevational view thereof; FIG. 3 is a rear elevational view thereof; FIG. 4 is a right side elevational view thereof; FIG. 5 is a top plan view thereof; FIG. 6 is a left side elevational view thereof; and, FIG. 7 is a bottom plan view thereof.

**1 Claim, 3 Drawing Sheets**



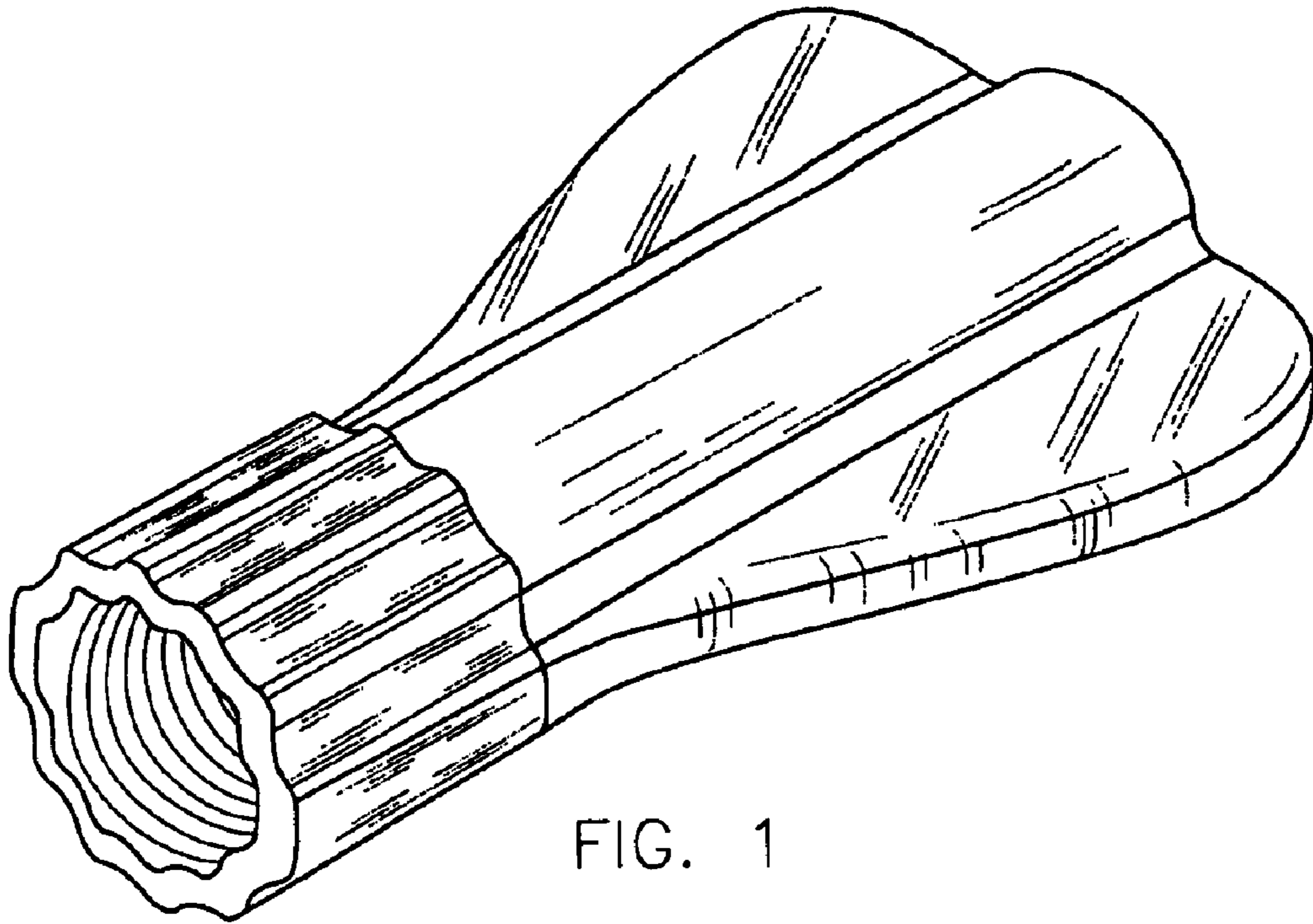


FIG. 1

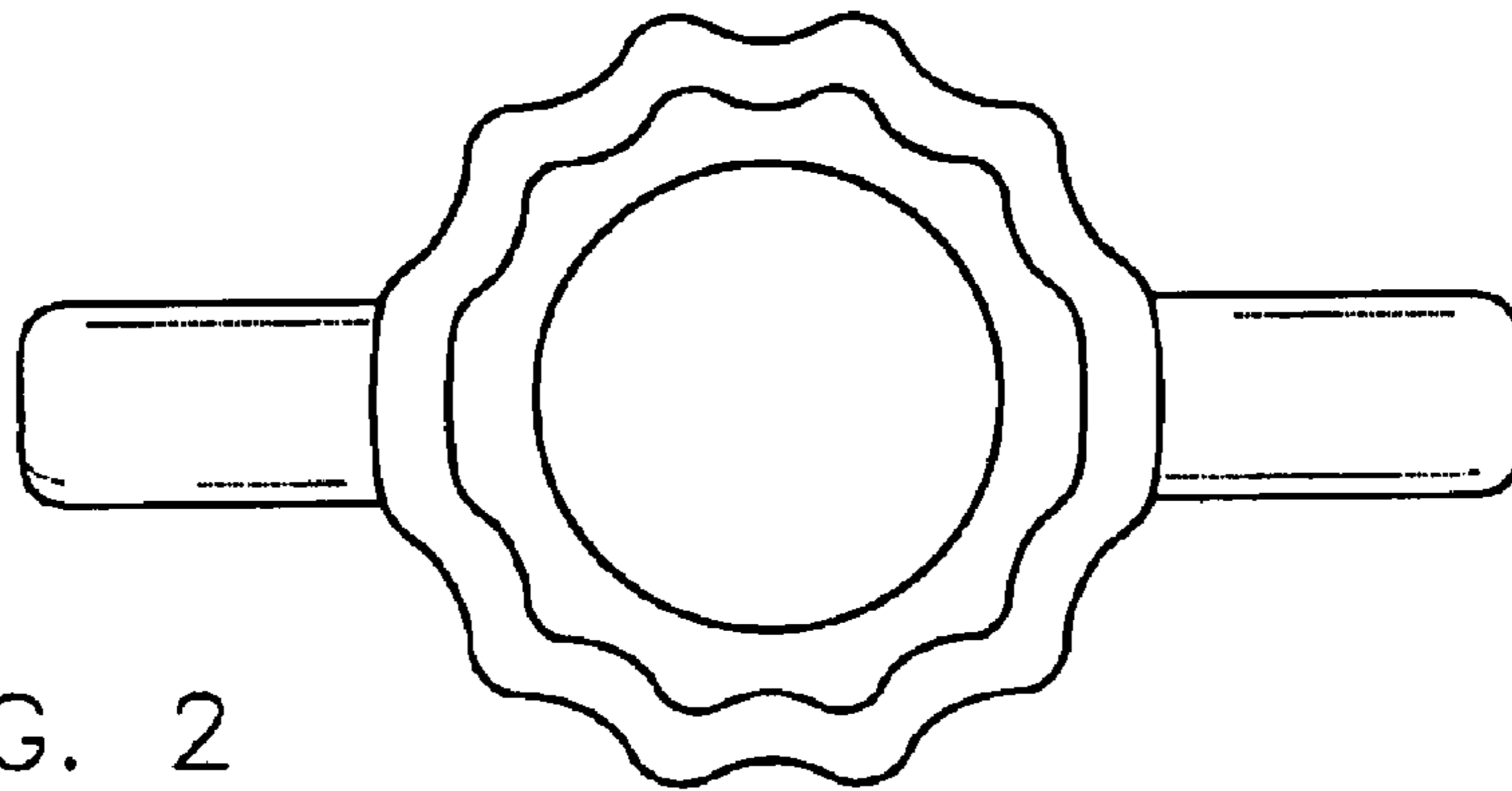


FIG. 2

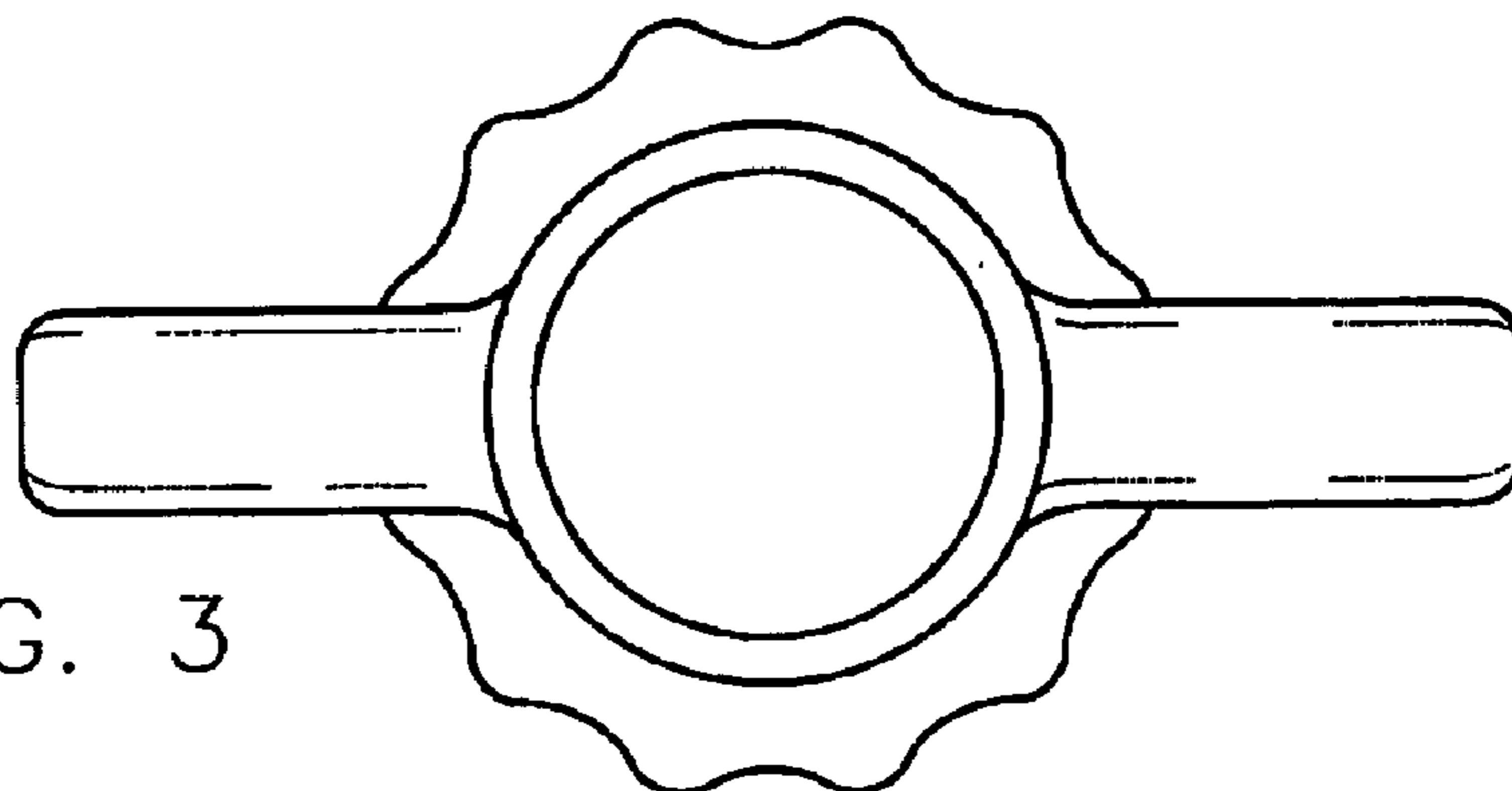


FIG. 3

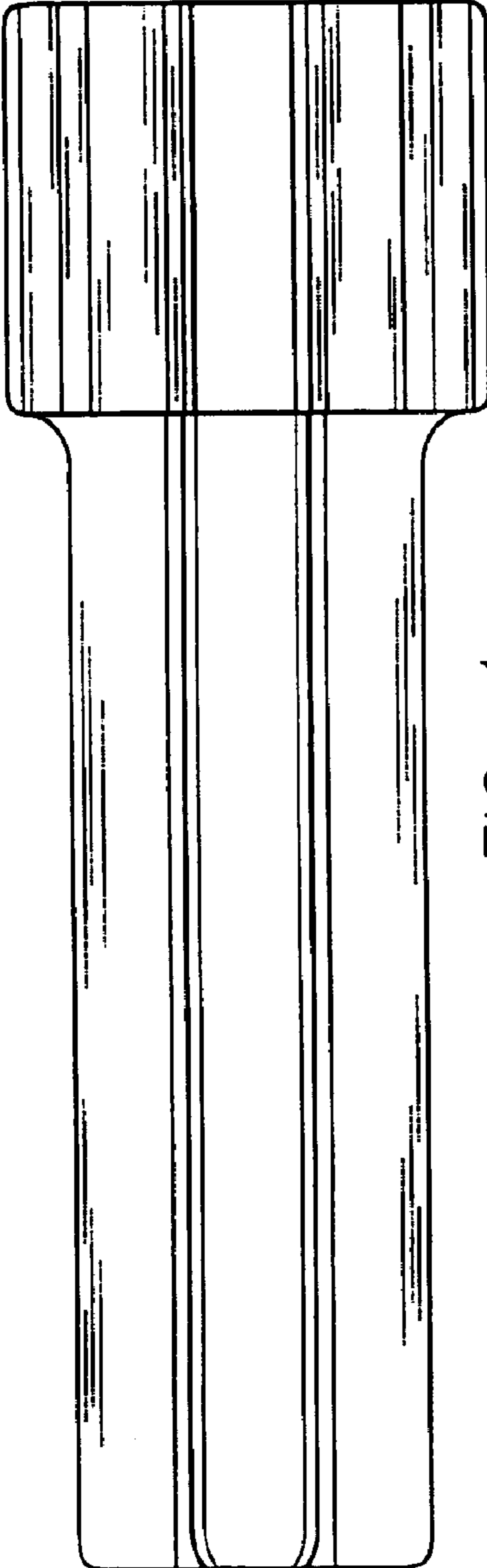


FIG. 4

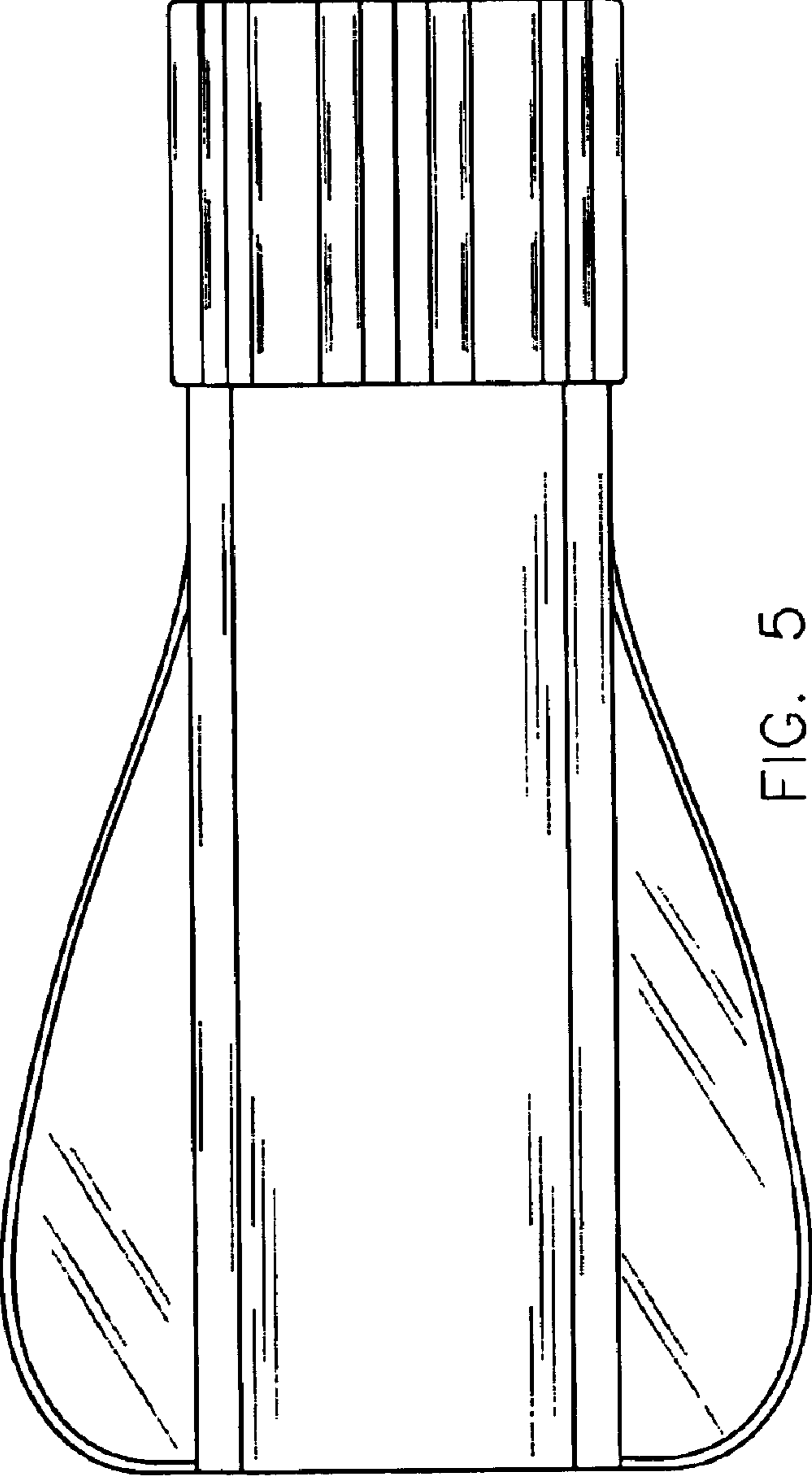


FIG. 5

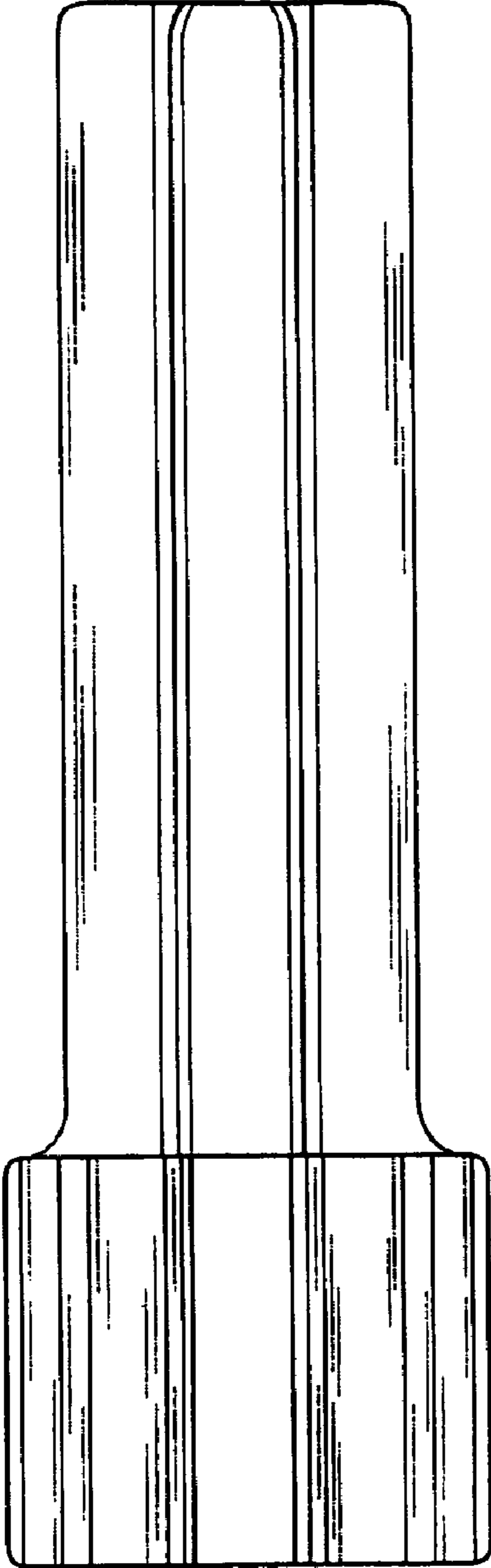


FIG. 6

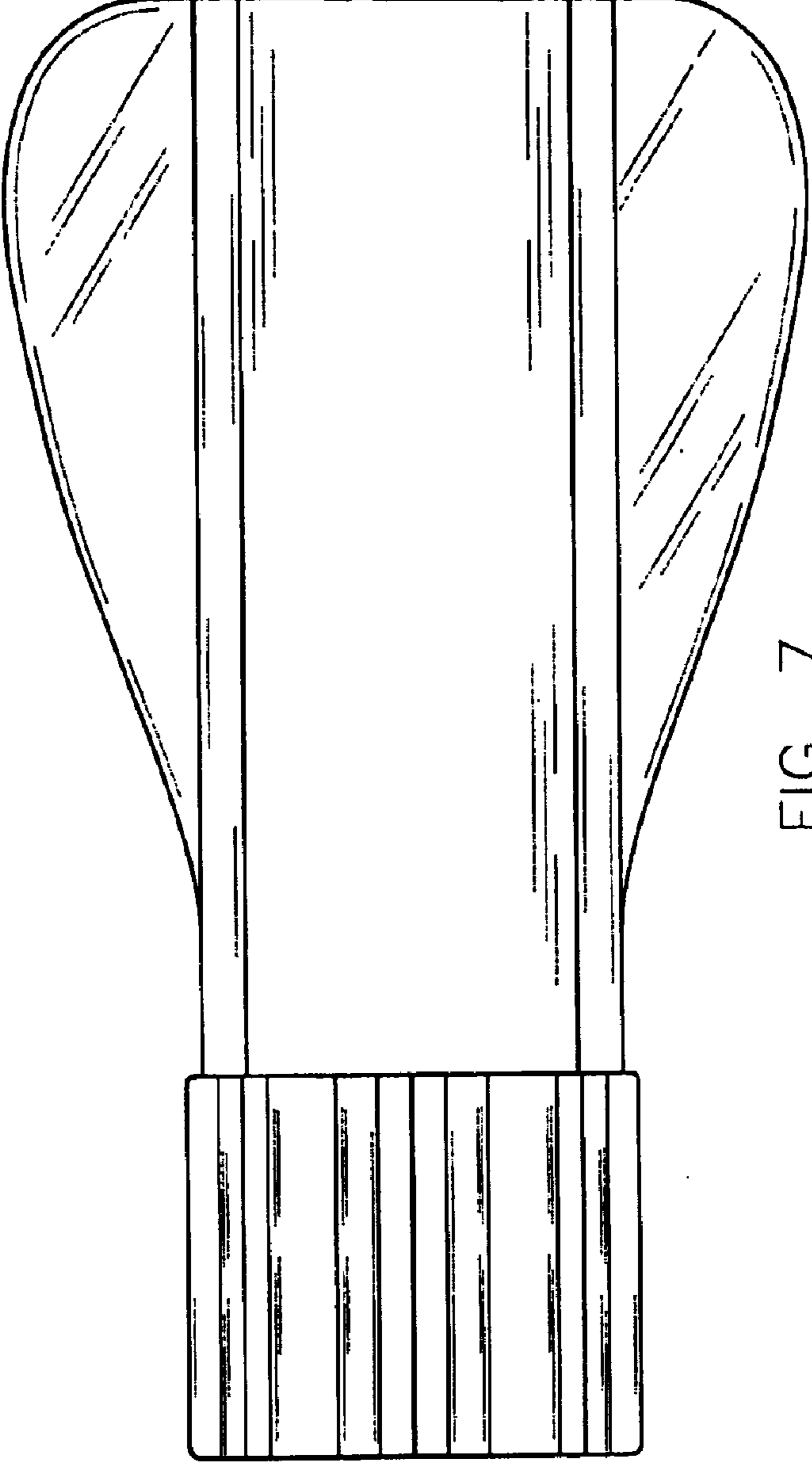


FIG. 7