



US00D517207S

(12) **United States Design Patent**  
**Poynter**

(10) **Patent No.:** **US D517,207 S**  
(45) **Date of Patent:** **\*\* Mar. 14, 2006**

(54) **VIAL**  
(75) **Inventor:** **Richard Q. Poynter**, Crystal Lake, IL (US)  
(73) **Assignee:** **R.P. Scherer Technologies, Inc.**, Las Vegas, NV (US)  
(\*\*) **Term:** **14 Years**

5,678,736 A 10/1997 Hansen  
D392,184 S \* 3/1998 Weiler ..... D9/696  
5,845,264 A 12/1998 Nellhaus  
6,241,124 B1 6/2001 Hoyt  
6,357,626 B1 3/2002 Zhang  
D469,867 S \* 2/2003 Masuda et al. .... D24/115  
D470,240 S \* 2/2003 Niedbala et al. .... D24/223  
6,585,134 B1 \* 7/2003 Farris ..... 222/541.6  
D492,407 S \* 6/2004 Masuda et al. .... D24/115  
6,860,405 B1 3/2005 Poynter

(21) **Appl. No.:** **29/189,356**  
(22) **Filed:** **Sep. 3, 2003**

\* cited by examiner

(51) **LOC (8) Cl.** ..... **24-02**  
(52) **U.S. Cl.** ..... **D24/115; D24/117**  
(58) **Field of Classification Search** ..... D24/115,  
D24/117, 141, 216, 223-226; 222/23, 209,  
222/215, 541.6; D9/695-699; 206/528, 530,  
206/532; 422/68.1, 58, 102, 81; 435/970;  
D10/46, 81  
See application file for complete search history.

*Primary Examiner*—Louis S. Zarfaz  
*Assistant Examiner*—Melanie Levy  
(74) *Attorney, Agent, or Firm*—Donald O. Nickey; Michael J. Gallagher

(57) **CLAIM**

The ornamental design for a vial, as shown.

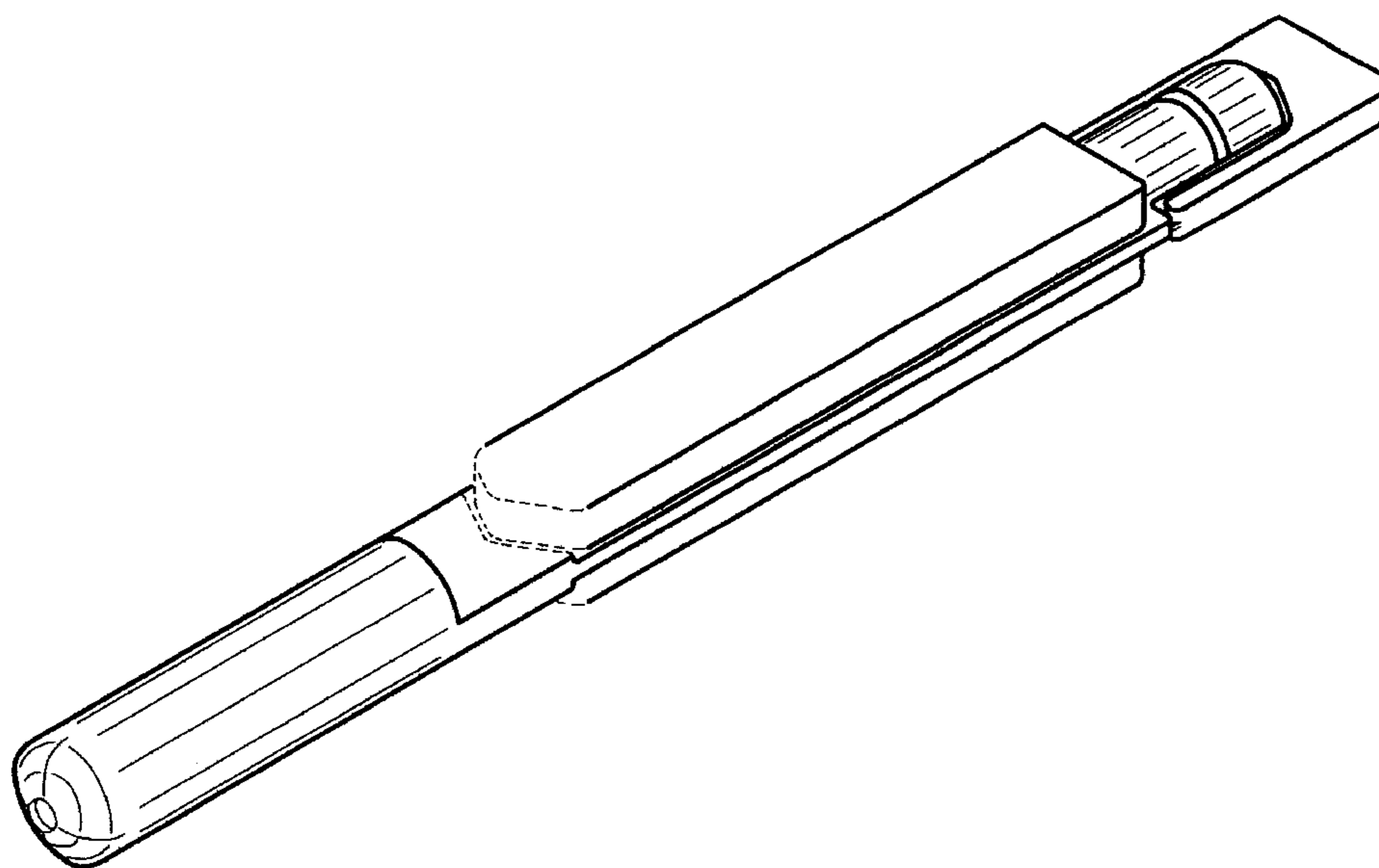
**DESCRIPTION**

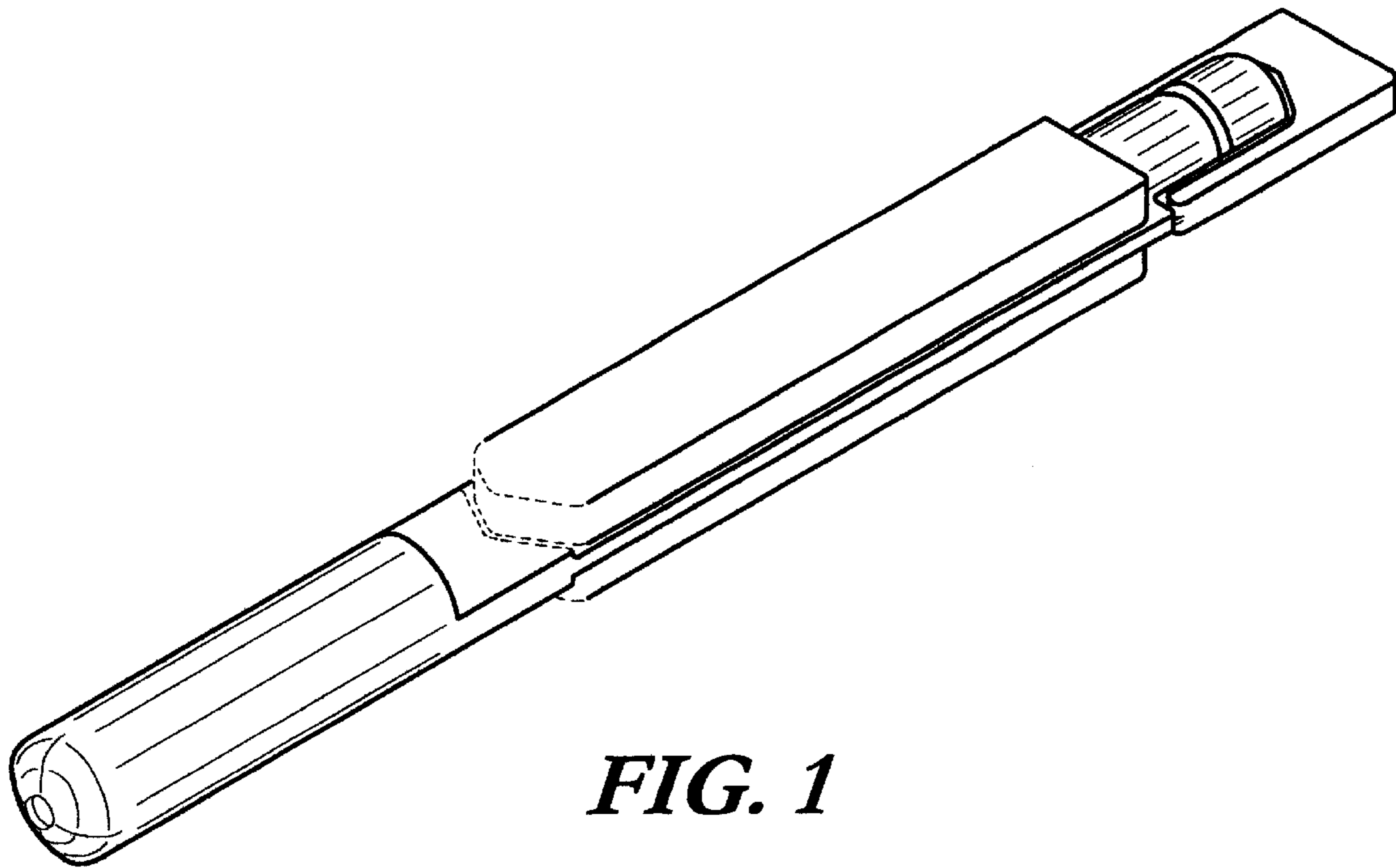
FIG. 1 is a perspective view of a vial showing my new design;  
FIG. 2 is a front end elevation view thereof;  
FIG. 3 is a rear end elevation view thereof;  
FIG. 4 is a top plan view thereof;  
FIG. 5 is a left side elevation view thereof;  
FIG. 6 is a bottom plan view thereof; and,  
FIG. 7 is a right side elevation view thereof.  
The broken lines are for illustrative purposes only and form no part of the claimed design.

(56) **References Cited**  
**U.S. PATENT DOCUMENTS**

3,993,223 A \* 11/1976 Welker et al. .... 206/528  
4,811,866 A \* 3/1989 Golias ..... 222/215  
4,995,519 A 2/1991 Rose  
D362,390 S \* 9/1995 Weiler ..... D24/115  
D369,212 S \* 4/1996 Snell ..... D24/117  
D369,868 S \* 5/1996 Nazareth et al. .... D24/225  
D375,352 S \* 11/1996 Bologna ..... D24/115  
D379,662 S \* 6/1997 Pearson et al. .... D24/223  
D379,663 S \* 6/1997 Pearson et al. .... D24/223

**1 Claim, 2 Drawing Sheets**





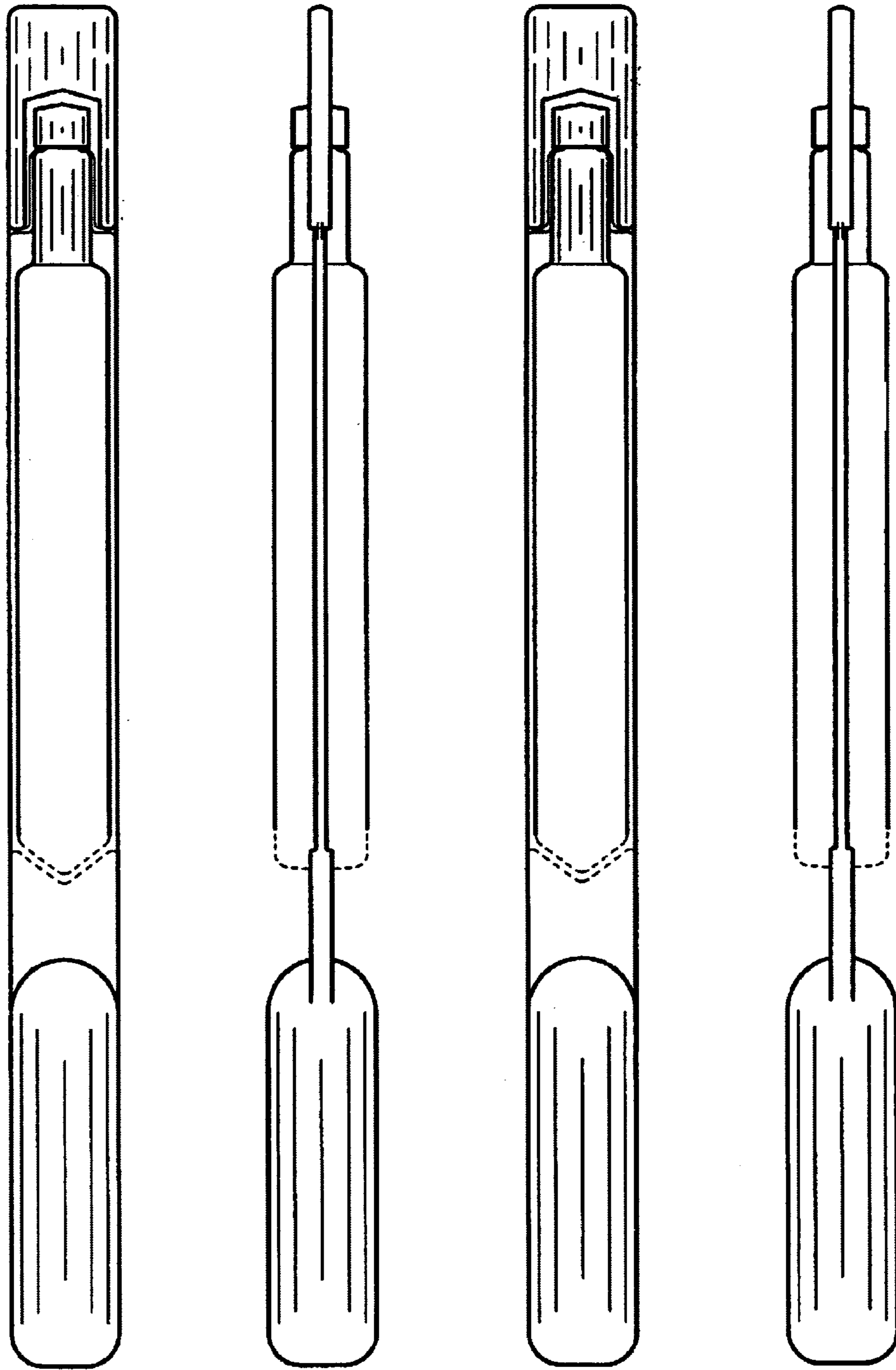
**FIG. 1**



**FIG. 2**



**FIG. 3**



***FIG. 4 FIG. 5 FIG. 6 FIG. 7***