



US00D517203S

(12) **United States Design Patent**
Young

(10) **Patent No.:** **US D517,203 S**
(45) **Date of Patent:** **** Mar. 14, 2006**

(54) **FAN BLADE**

(75) Inventor: **Stanfield Young**, Los Alamitos, CA
(US)

(73) Assignee: **Minka Lighting, Inc.**, Corona, CA
(US)

(**) Term: **14 Years**

(21) Appl. No.: **29/228,273**

(22) Filed: **Apr. 21, 2005**

(51) **LOC (8) Cl.** **23-04**

(52) **U.S. Cl.** **D23/413**

(58) **Field of Classification Search** D23/377,
D23/379, 385, 411, 413; D26/59, 71, 81-88,
D26/51; 416/5; 362/96

See application file for complete search history.

(56) **References Cited**

U.S. PATENT DOCUMENTS

D457,620 S	*	5/2002	Frampton	D23/413
D478,654 S	*	8/2003	Hidalgo	D23/413
D478,974 S	*	8/2003	Hidalgo	D23/377
D489,124 S	*	4/2004	Young	D23/377
D507,646 S	*	7/2005	Young	D23/413

OTHER PUBLICATIONS

Hampton Bay Internet Catalog; Cruiser; Model # 04345; printed from www.homedepot.com on Apr. 20, 2005.
Ellington Internet Catalog; The Surfboard; Model #ELSBF58AN5LKRCR2; printed from www.fansworkout-let.com on Apr. 20, 2005.

Homer TLC Inc.; Hampton Bay Catalog; 2004, p. 37, vol. 2; Homer TLC, Inc.

* cited by examiner

Primary Examiner—Lisa Lichtenstein
(74) *Attorney, Agent, or Firm*—Baker & McKenzie LLP

(57) **CLAIM**

The ornamental design for a fan blade, as shown and described.

DESCRIPTION

FIG. 1 is a perspective view from below of a fan blade in accordance with my design;

FIG. 2 is an enlarged perspective view from below of the fan blade in accordance with my design;

FIG. 3 is a bottom plan view of the fan blade in accordance with my design;

FIG. 4 is a top plan view of the fan blade in accordance with my design;

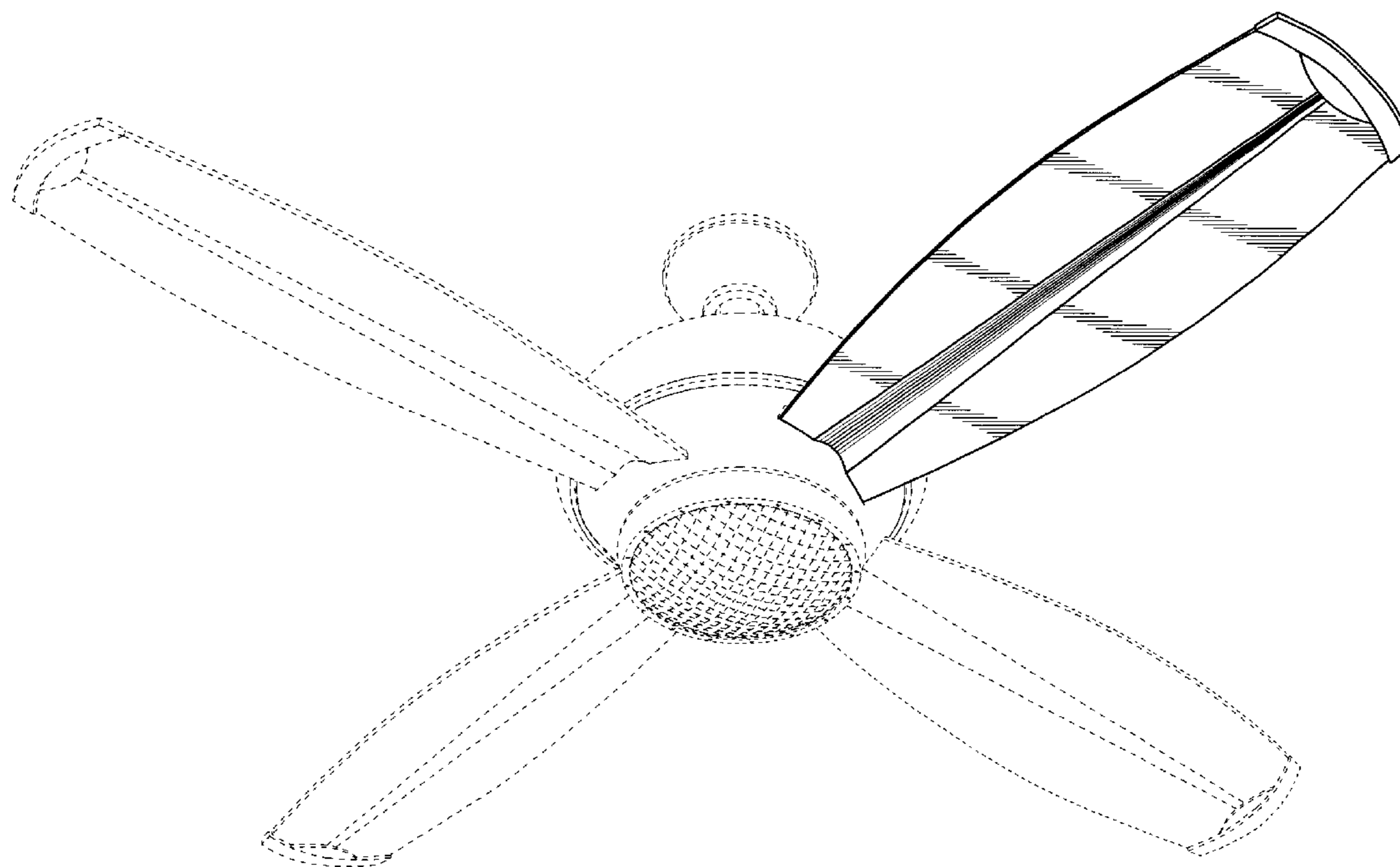
FIG. 5 is a side elevation view of the fan blade in accordance with my design the opposite side being a mirror image of that shown;

FIG. 6 is a front elevation view of the fan blade in accordance with my design; and,

FIG. 7 is a back elevation view of the fan blade in accordance with my design.

The broken lines showing environmental structure are for illustrative purposes and form no part of the claimed invention.

1 Claim, 3 Drawing Sheets



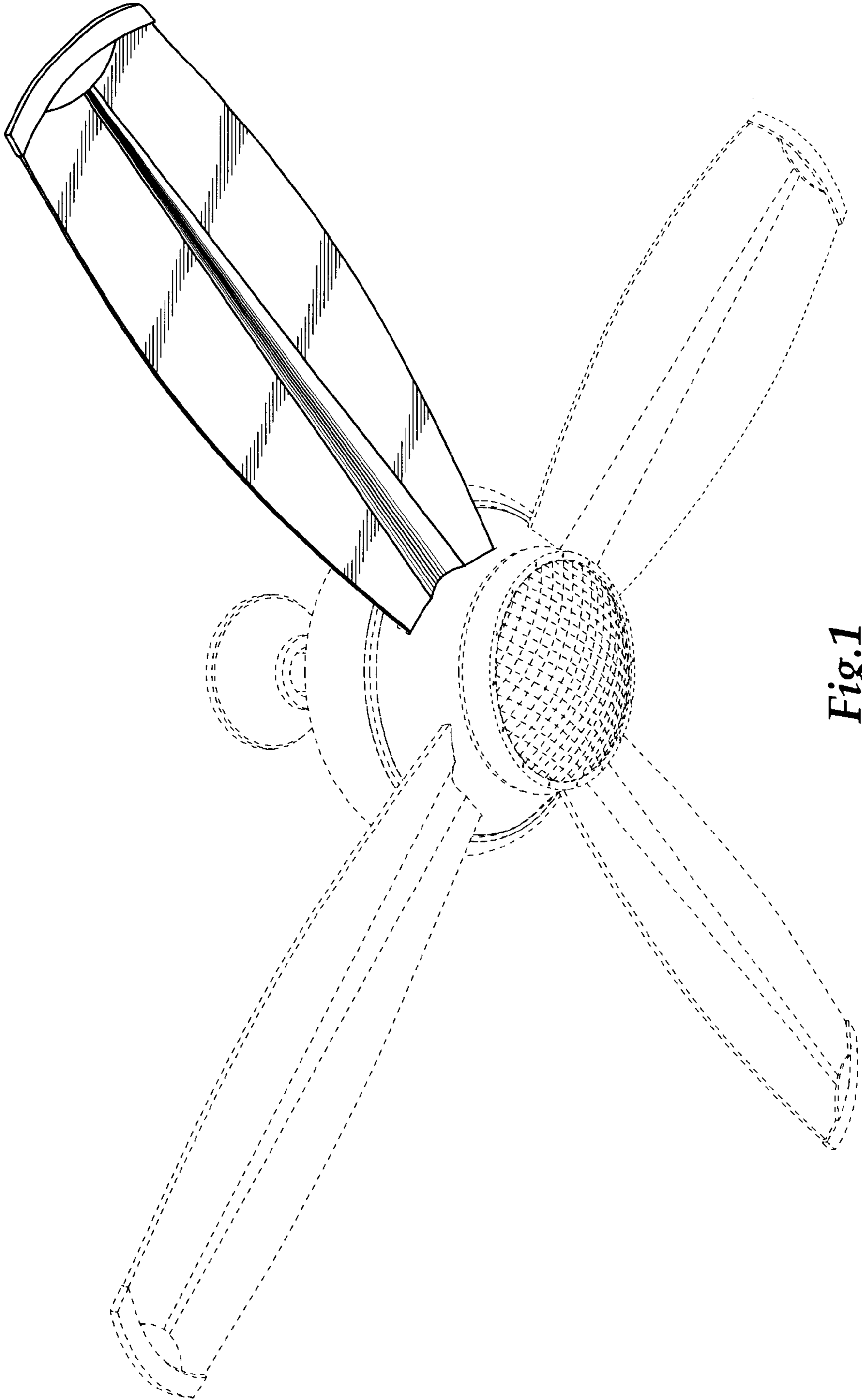
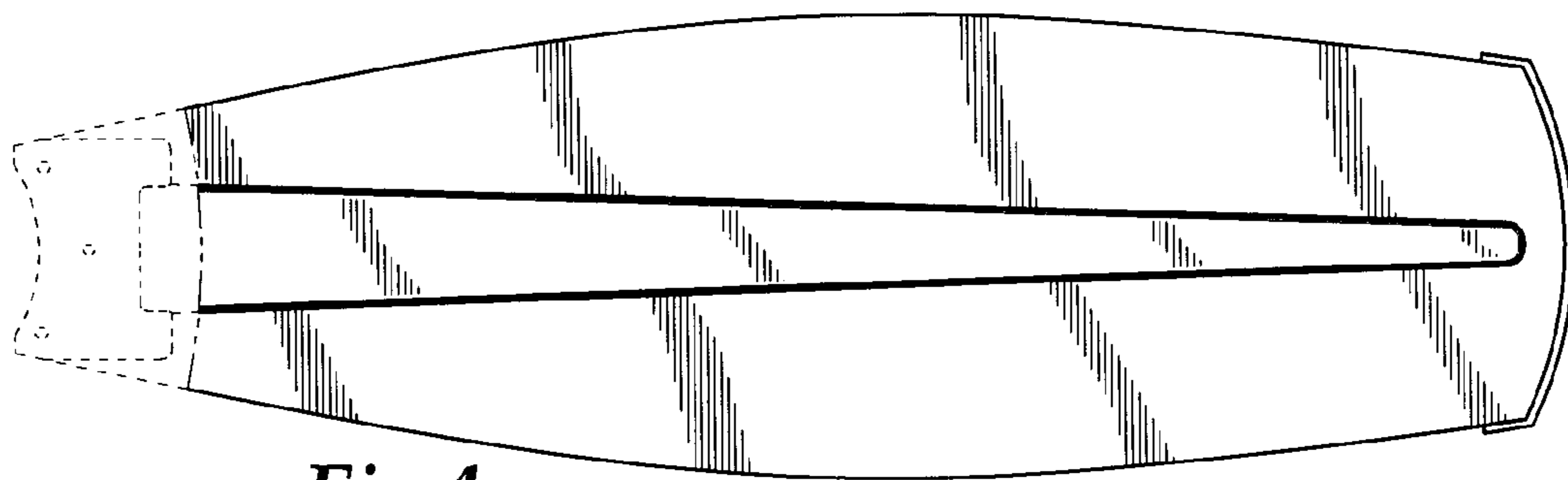
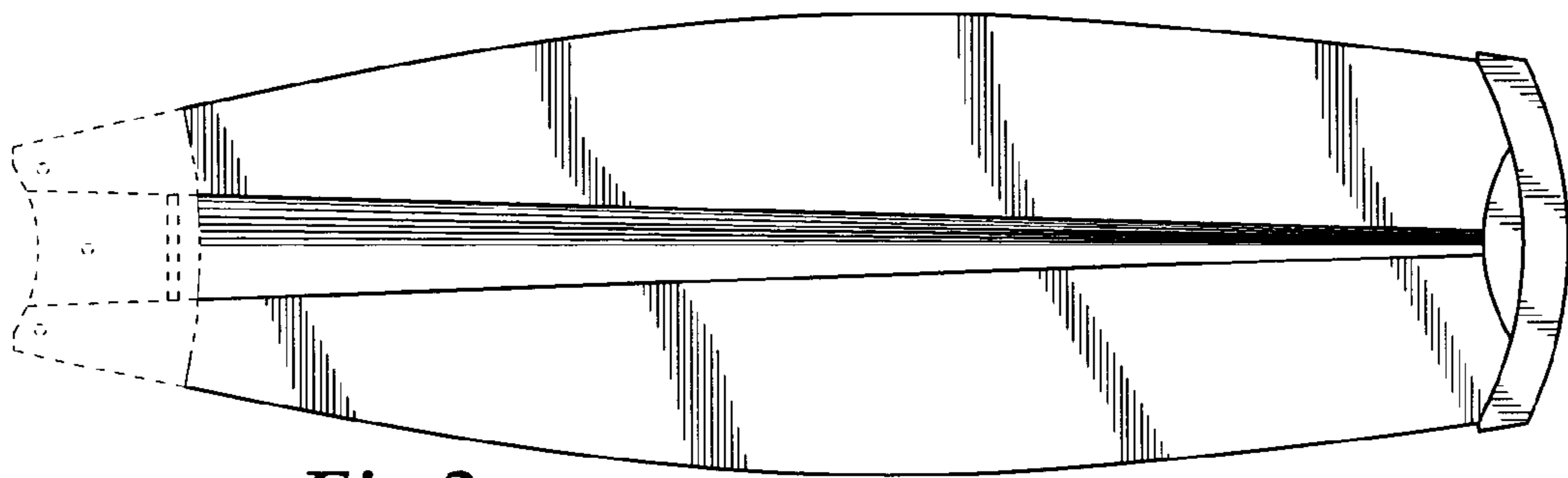
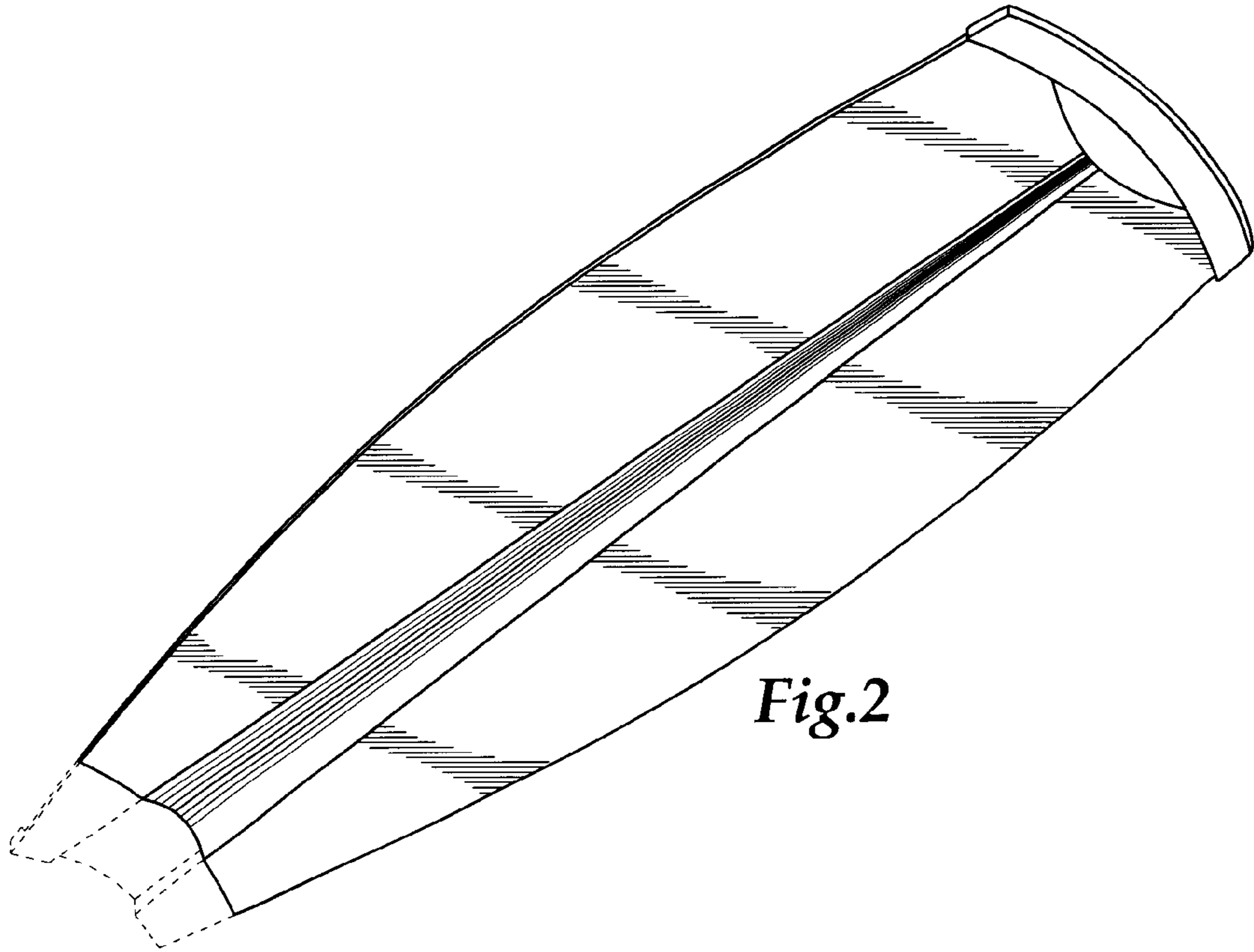


Fig. 1



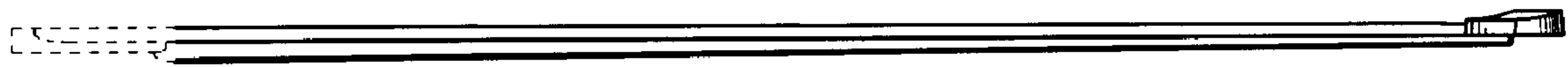


Fig.5



Fig.6



Fig.7