



US00D517199S

(12) **United States Design Patent**
Frampton

(10) **Patent No.:** **US D517,199 S**
(45) **Date of Patent:** **** Mar. 14, 2006**

(54) **FAN BLADE FOR A CEILING FAN**

- (75) Inventor: **Thomas C. Frampton**, Zionsville, IN (US)
- (73) Assignee: **Fanimation, Inc.**, Zionsville, IN (US)
- (**) Term: **14 Years**
- (21) Appl. No.: **29/196,409**
- (22) Filed: **Dec. 29, 2003**

Related U.S. Application Data

- (63) Continuation of application No. 29/183,967, filed on Jun. 19, 2003, now abandoned.
- (51) **LOC (8) Cl.** **23-04**
- (52) **U.S. Cl.** **D23/413**
- (58) **Field of Classification Search** **D23/413,**
D23/377, 379, 385; 416/5
See application file for complete search history.

(56) **References Cited**

U.S. PATENT DOCUMENTS

2,079,044 A	5/1937	Santmyer
2,837,301 A	6/1958	Jenney
3,693,910 A	9/1972	Aldi
4,132,360 A	1/1979	Lee, Jr.
D306,643 S	3/1990	Taylor
D309,183 S	7/1990	Taylor
D313,467 S	1/1991	Frampton
D325,436 S	4/1992	Taylor
D325,778 S	4/1992	Taylor

(Continued)

OTHER PUBLICATIONS

FANIMATION, "Unique Ceiling, Wall & Floor Mounted Fans," Catalog, Jan. 1990 USA.
 Clem Labine's Traditional Building, "A Fan-tastic Ceiling Accessory," Magazine Article, Nov./Dec. 1997, USA.
 Architectural Antiques, Andy Thornton, "Fan Systems," Catalog No. 12, First Edition, Mar. 1994, USA.

(Continued)

Primary Examiner—Lisa Lichtenstein

(74) *Attorney, Agent, or Firm*—Maginot Moore & Beck

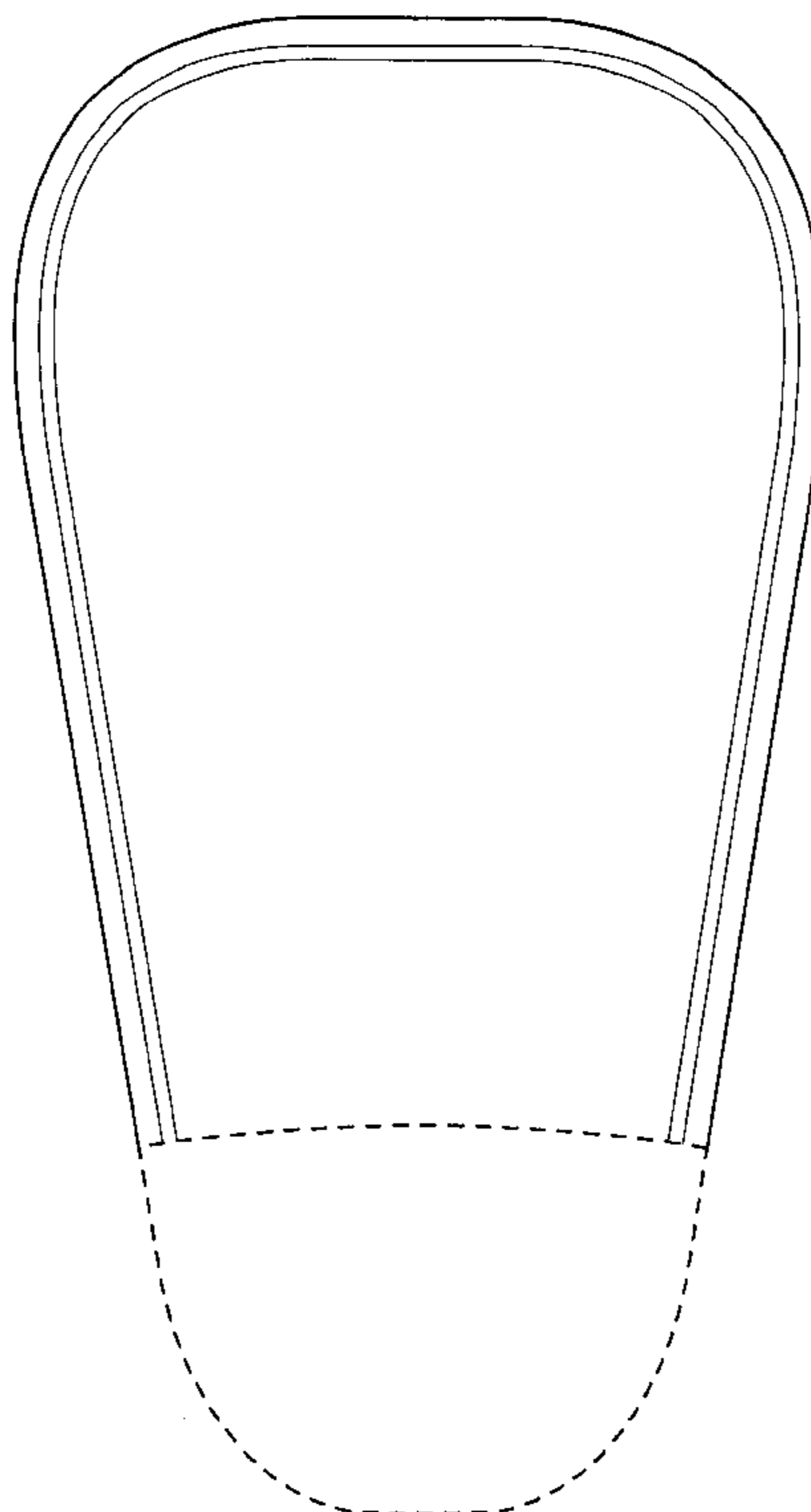
(57) **CLAIM**

The ornamental design for a fan blade for a ceiling fan, as shown and described.

DESCRIPTION

FIG. 1 is a front view of the fan blade for a ceiling fan showing my new design;
 FIG. 2 is a rear view of the design of FIG. 1;
 FIG. 3 is a side view of the design of FIG. 1;
 FIG. 4 is another side view of the design of FIG. 1;
 FIG. 5 is a view of the top of the design of FIG. 1;
 FIG. 6 is a view of the bottom of the design of FIG. 1; and,
 FIG. 7 is a perspective view of the design of FIG. 1.
 The broken lines showing environmental structure in FIGS. 1, 2, and 7 are for illustrative purposes only and form no part of the claimed design or a specified embodiment thereof.

1 Claim, 7 Drawing Sheets



U.S. PATENT DOCUMENTS

D326,149 S	5/1992	Taylor	
D329,285 S	9/1992	Taylor	
D329,286 S	9/1992	Taylor	
D329,896 S	9/1992	Taylor	
D336,513 S	6/1993	Junkin	
D341,419 S	11/1993	Taylor	
5,439,352 A	8/1995	Line	
5,462,462 A	10/1995	Woodley	
D424,190 S	5/2000	Tang	
D432,640 S	10/2000	Frampton	
D433,118 S	10/2000	Frampton	
D433,119 S	10/2000	Frampton	
D433,498 S	11/2000	Frampton	
D433,747 S	11/2000	Frampton	
D433,748 S	11/2000	Frampton	
D433,749 S	11/2000	Frampton	
D434,134 S	11/2000	Frampton	
D437,047 S	1/2001	Frampton	
D437,406 S	2/2001	Frampton	
D438,610 S	3/2001	Frampton	
D444,553 S	7/2001	Frampton	
D450,380 S	11/2001	Frampton	
D451,997 S	12/2001	Schwartz	
D454,192 S	3/2002	Frampton	
D454,635 S	3/2002	Frampton	
D456,073 S	4/2002	Frampton	
D457,620 S	5/2002	Frampton	
D460,817 S	7/2002	Frampton	
D461,888 S	8/2002	Frampton	
D477,662 S	* 7/2003	Liou D23/413

OTHER PUBLICATIONS

Gumps Mail Interiors, Plantation Ceiling Fan, Catalog, Jul. 1998, USA.
 The Sharper Image Home Collection, Plantation Ceiling Fan, Catalog, Summer 1998, USA.
 American Homestyle & Gardening, "The Islander Fan," Magazine Article, Aug./Sep. 1995, USA.
 Metropolitan Home, "Three-Leaf Palm Fan by Fanimation," Magazine Article, Jul./Aug. 1998, USA.
 A-PLUS: Art/Antiques/Design, Cape Code Edition, "Keep Your Cool," News Article, Jun. 1998, USA.
 Friedes Associates, "1997 Hudson River Showhouse, New York," Promotional Piece, Specific Date Unknown, USA.
 Photograph, Author Unknown, Dec. 3, 1995, Raffles Hotel, Singapore.

Photograph, Author Unknown, Circa 1905, White Rabbit Saloon, Tennessee.
 FANIMATION, "The Islander," Promotional Piece, Date Unknown, USA.
 FANIMATION, "The Palisade," Promotional Piece, Date Unknown, USA.
 FANIMATION, "Unique Ceiling, Wall & Floor Mounted Fans," Catalog, Jan. 2000, USA.
 EMERSON "Ceiling Fans Research & Development," Catalog, Jan. 2001, USA.
 Publication Unknown, "The Rhinoceros Club," Newspaper, Date Unknown, USA.
 NICOR Advertisement, Sep. 2000 Issue, USA.
 NICOR Website; www.nicorlighting.com, Jul. 5, 2002, Various Ceiling Fan Photographs.
 Regency Ceiling Fans, "Tropic Air", Promotional Piece Brochure, Copyright 2001, USA.
 Home Lighting & Accessories, "Vintage Crown Collection," Magazine Article, Concord Product Advertisement, Dec. 2001, USA.
 FANIMATION, "Unique Ceiling, Wall & Floor Fans," Catalog, Jan. 2002, USA.
 Home Lighting & Accessories, "The Tahiti Collection," Magazine Article, Ellington Product Advertisement, Dec. 2003, USA.
 Home Lighting & Accessories, Magazine Article, Concord Product Advertisement, Dec. 2003, USA.
 Home Lighting & Accessories, Magazine Article, Matthews Fan Company Product Advertisement, Dec. 2003, USA.
 Royal Pacific, Ltd., "Palm Leaf Outdoor (Wet Location) Fan," Promotional Piece Brochure, Copyright 2001, USA.
 Royal Pacific, Ltd., "Innovation in Motion," Catalog, 2001, USA.
 SOLUTIONS, "Palm Fan Blade Covers," Catalog, 2003, USA.
 EMERSON, "Emerson Ceiling Fans and Accessories," Catalog, Jan. 2001, USA.
 EMERSON, "See What the Future Holds for You with Emerson Fans in 2002," Promotional Piece Brochure, Jan. 2002, USA.

* cited by examiner

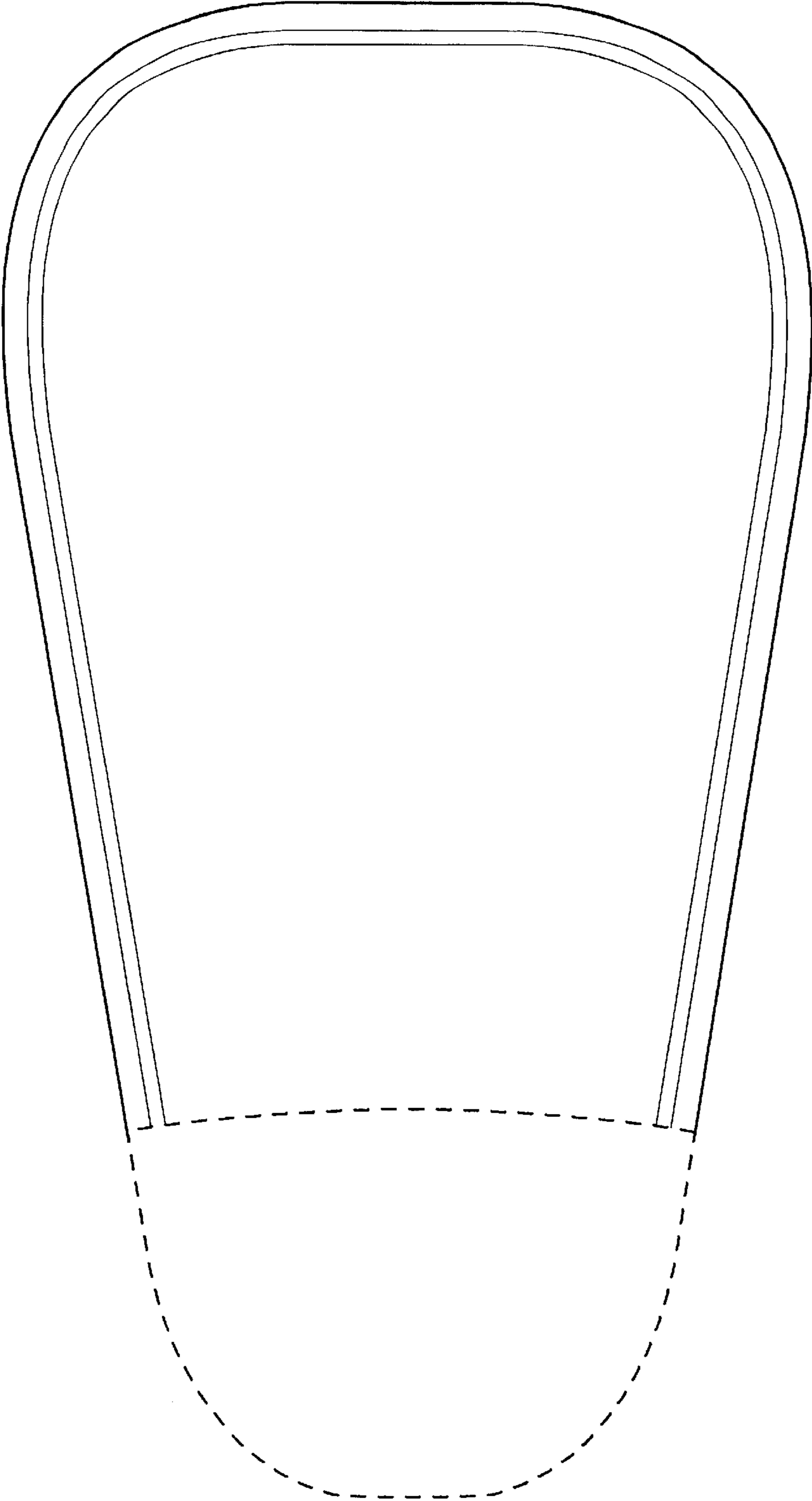


Fig. 1

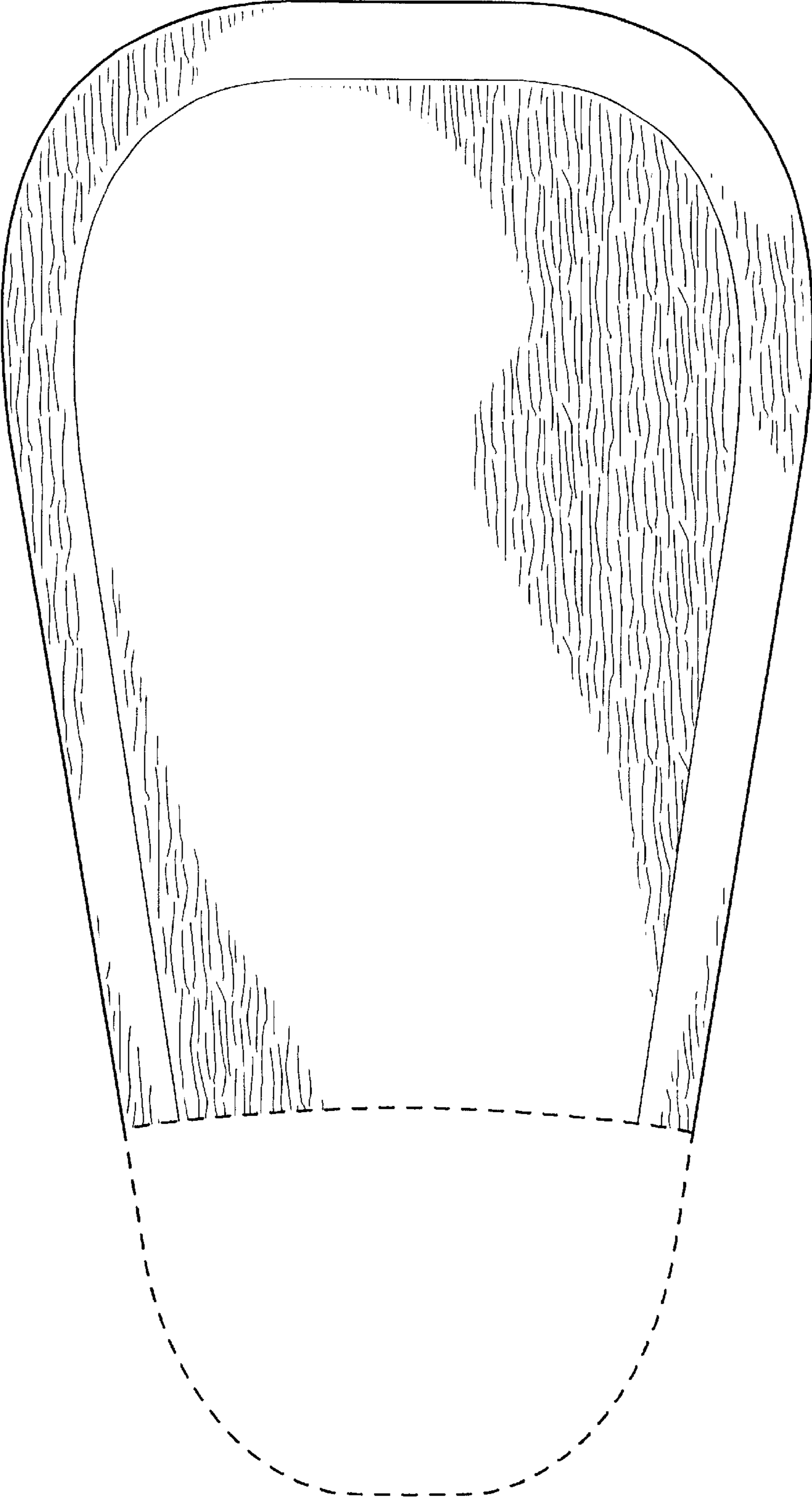


Fig. 2



Fig. 3



Fig. 4

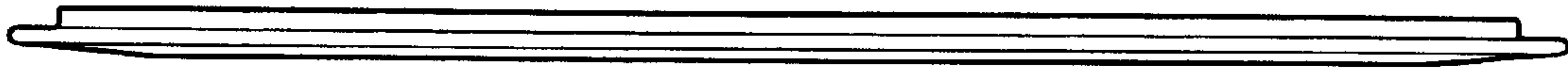


Fig. 5

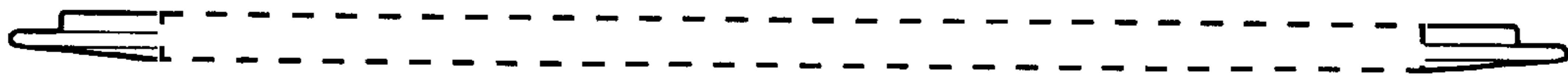


Fig. 6

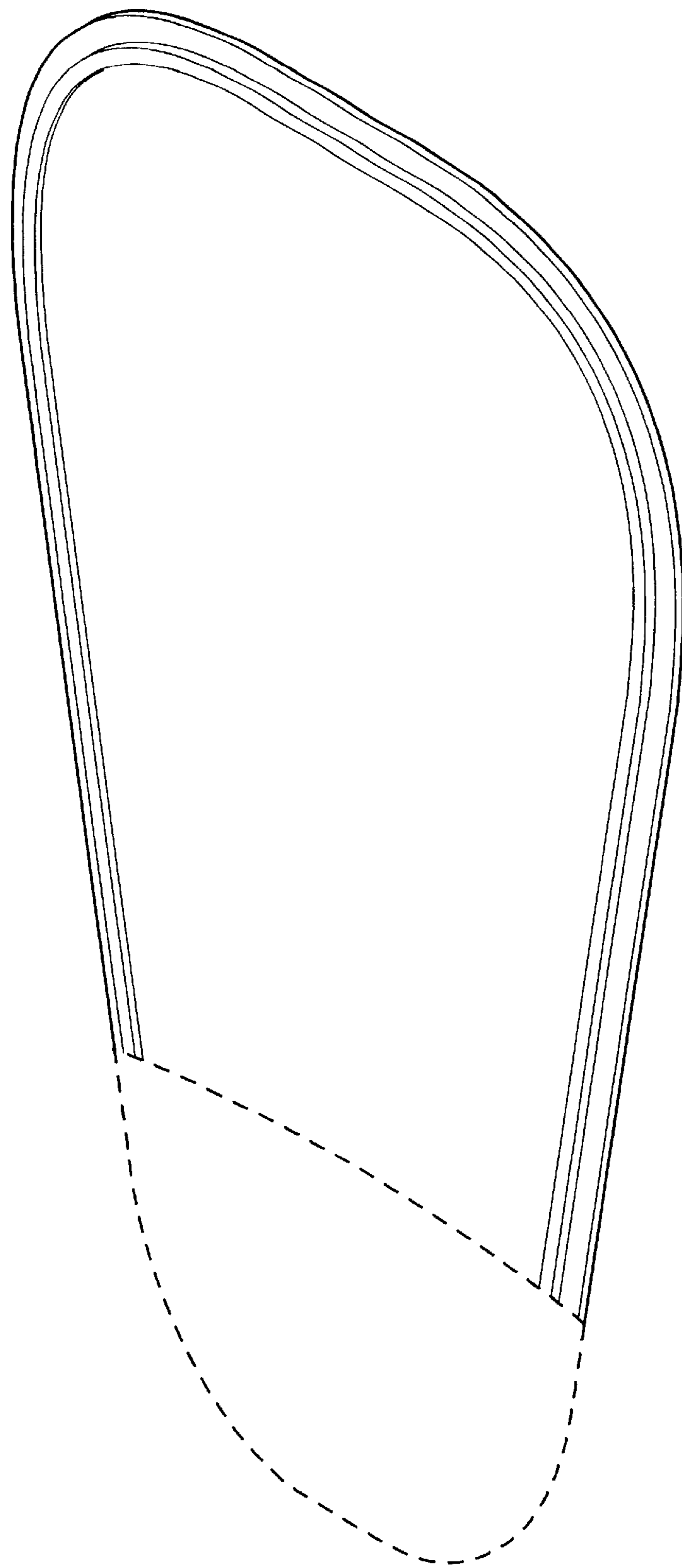


Fig. 7