



US00D517197S

(12) **United States Design Patent**
Pickett

(10) **Patent No.:** **US D517,197 S**
(45) **Date of Patent:** **** Mar. 14, 2006**

(54) **COMBINED CEILING FAN HOUSING AND LIGHT KIT**

D464,722 S * 10/2002 Sonneman D23/377

* cited by examiner

(76) Inventor: **Mark Pickett**, 1419 E. Palm St.,
Altadena, CA (US) 91001

Primary Examiner—Lisa Lichtenstein
(74) *Attorney, Agent, or Firm*—Parsons & Goltry; Michael
W. Goltry; Robert A. Parsons

(**) Term: **14 Years**

(57) **CLAIM**

(21) Appl. No.: **29/227,015**

The ornamental design for a combined ceiling fan housing and light kit, as shown and described.

(22) Filed: **Apr. 5, 2005**

DESCRIPTION

(51) **LOC (8) Cl.** **23-04**

(52) **U.S. Cl.** **D23/411**

(58) **Field of Classification Search** D23/411,
D23/377, 379, 385; D26/51, 59, 72, 81-88;
416/5

FIG. 1 is a bottom perspective view of a combined ceiling fan housing and light kit showing my new design;
FIG. 2 is a top perspective view thereof;
FIG. 3 is a front elevational view thereof, the rear elevational view, the left side elevational view, and the right side elevational view being substantially the same thereof;
FIG. 4 is a top plan view thereof; and,
FIG. 5 is a bottom plan view thereof.

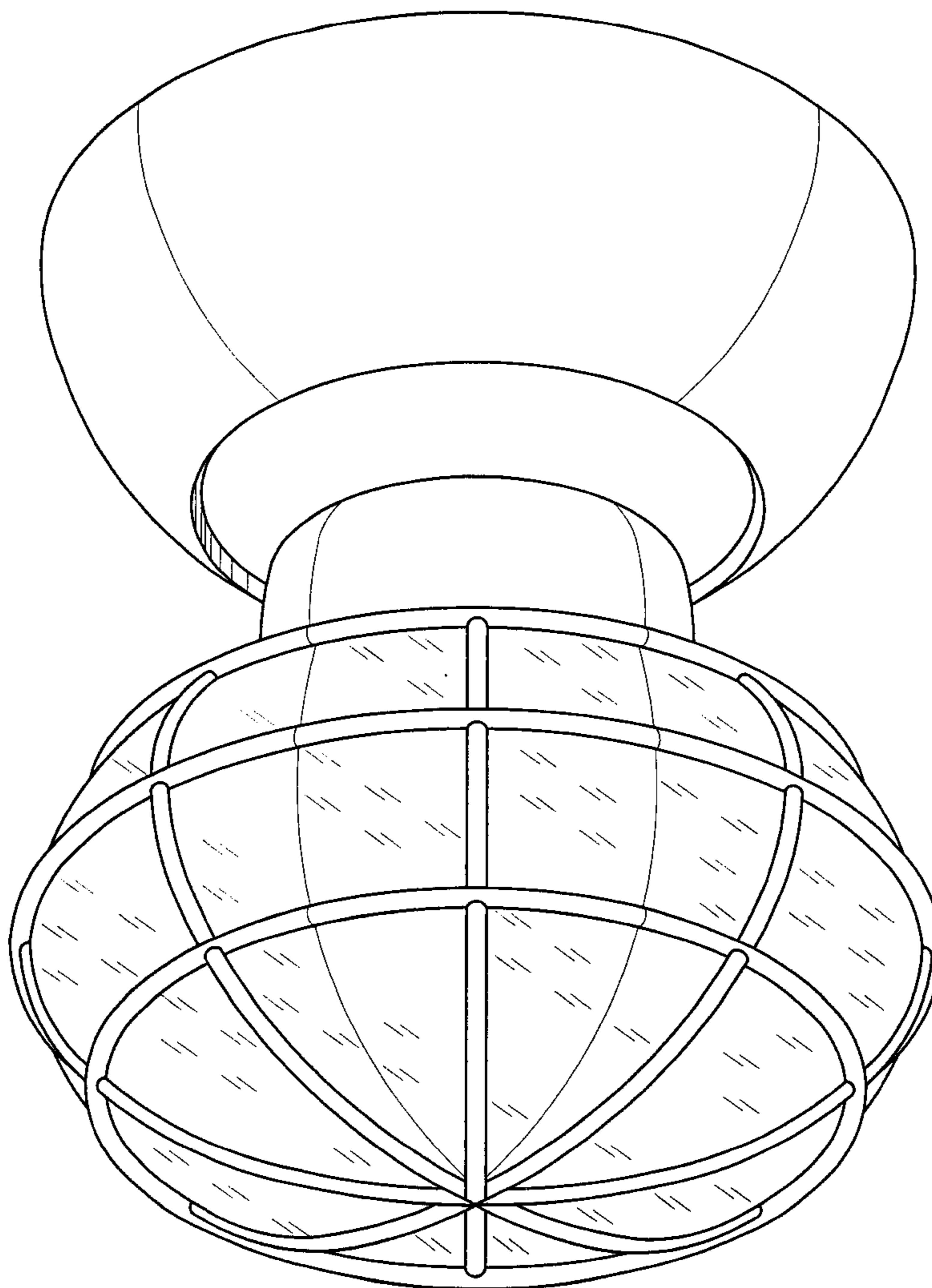
See application file for complete search history.

(56) **References Cited**

U.S. PATENT DOCUMENTS

D449,682 S * 10/2001 Gajewski D23/411

1 Claim, 5 Drawing Sheets



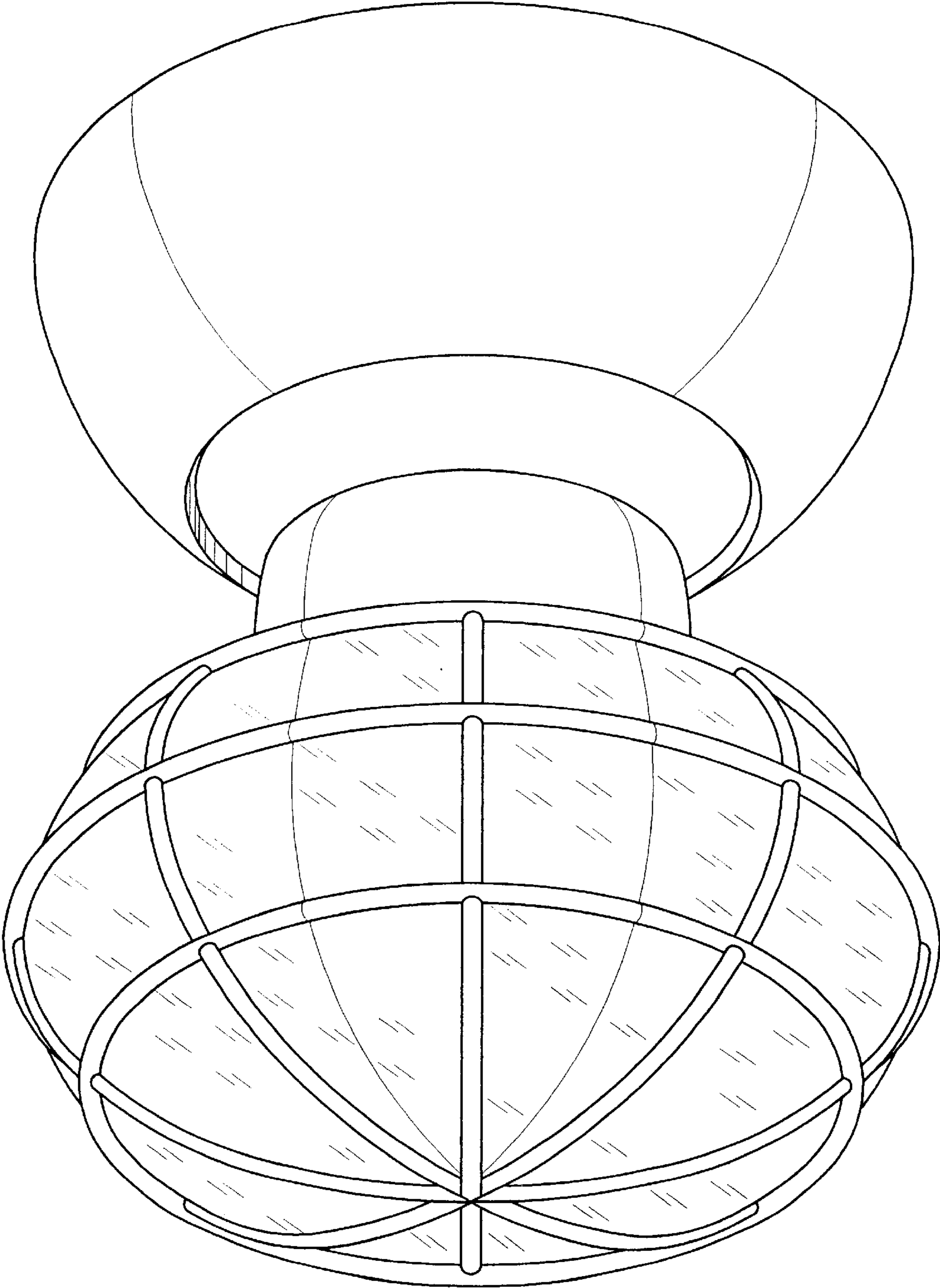


FIG. 1

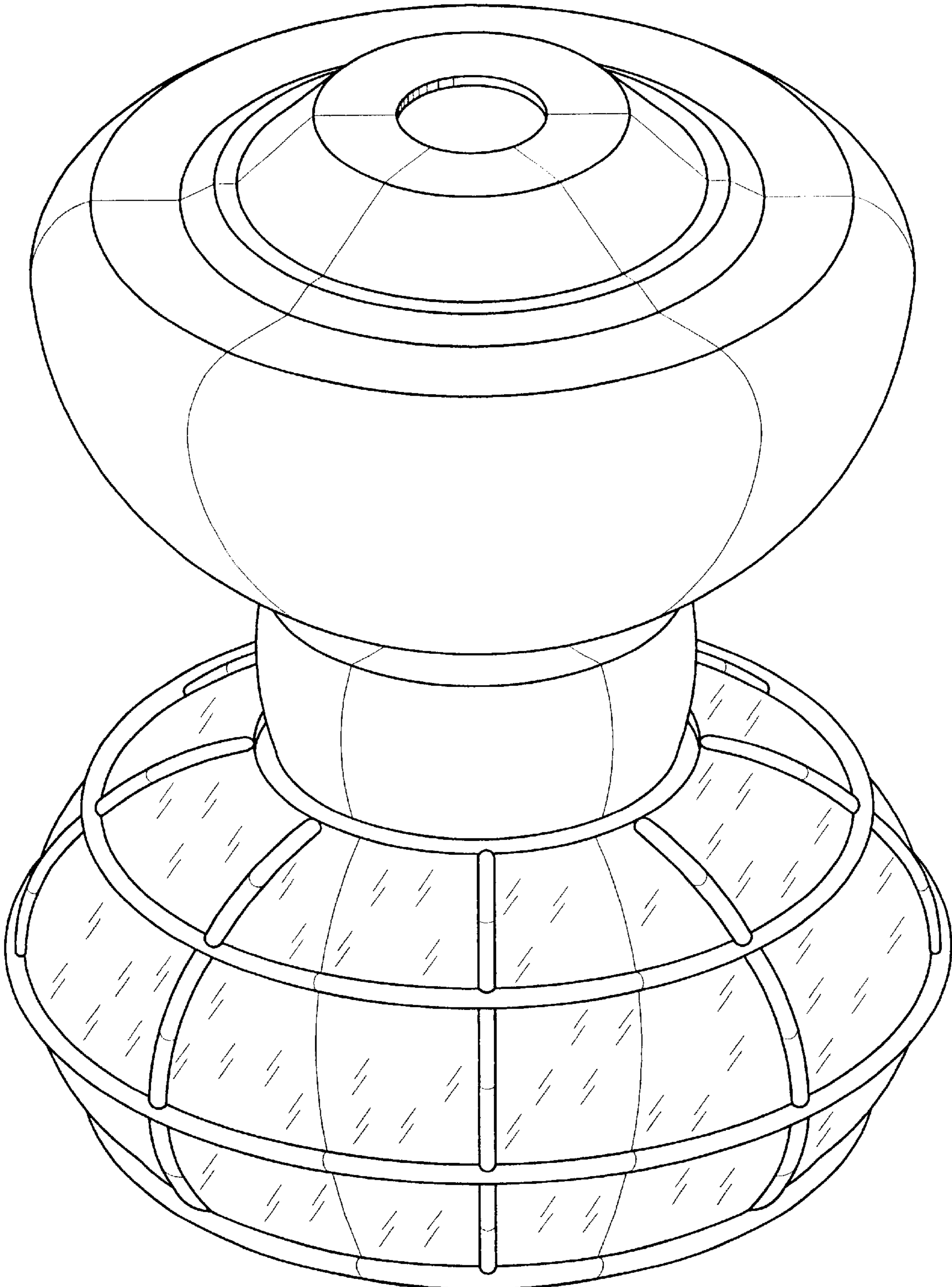


FIG. 2

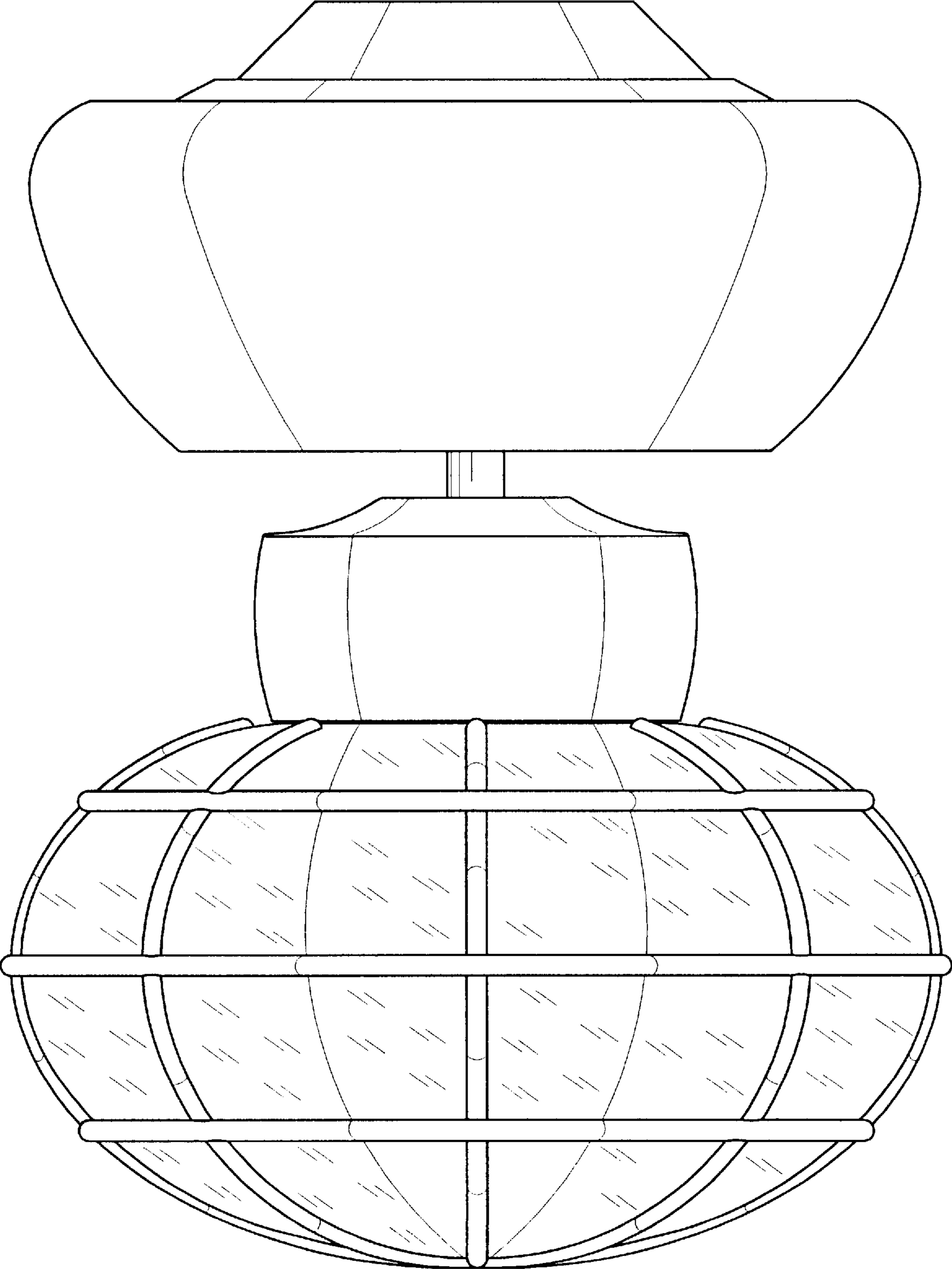


FIG. 3

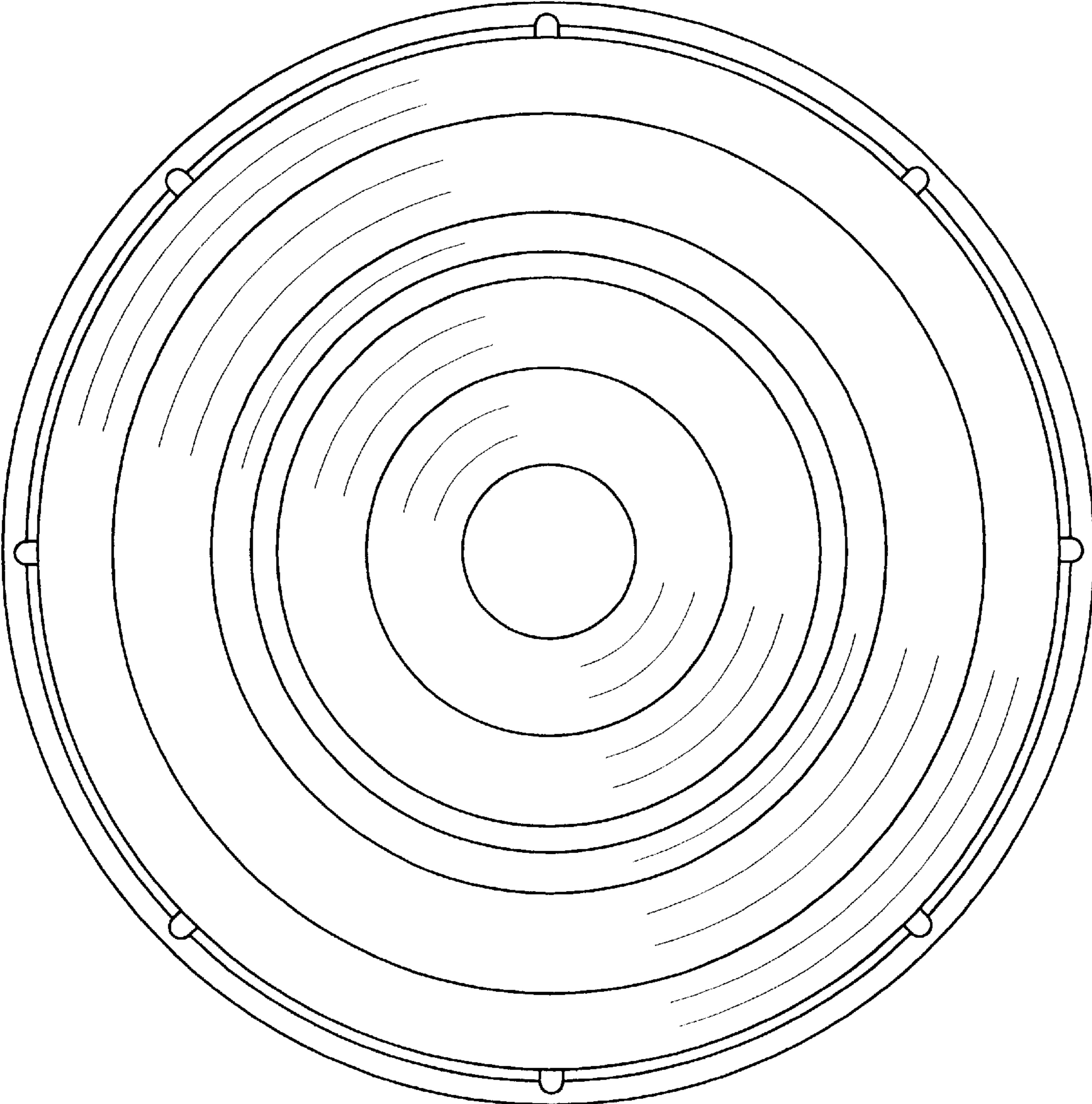


FIG. 4

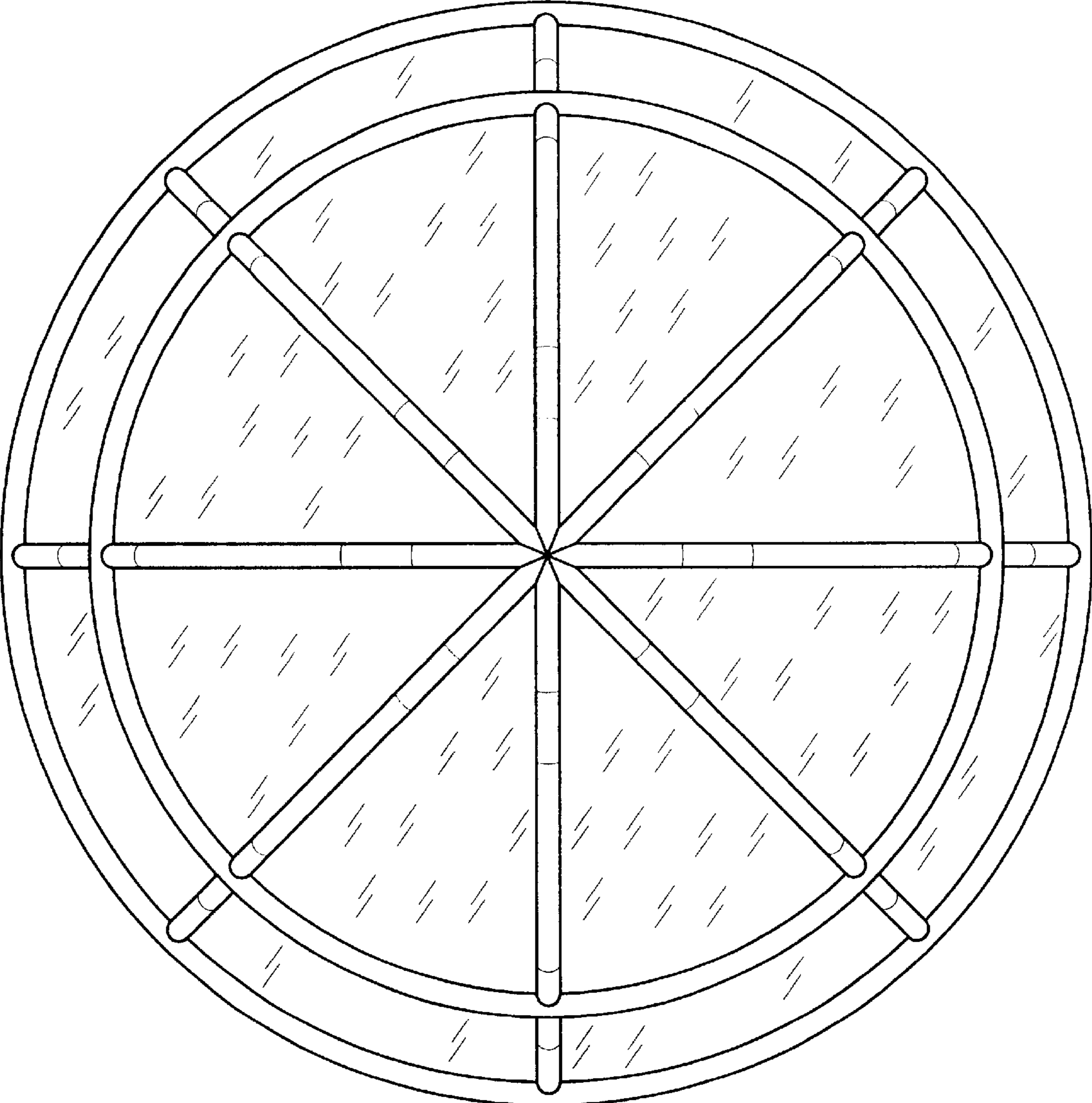


FIG. 5