



US00D517195S

(12) **United States Design Patent**
Hidalgo

(10) **Patent No.:** **US D517,195 S**
(45) **Date of Patent:** **** Mar. 14, 2006**

(54) **CEILING MOUNT**

(75) Inventor: **Rolando Hidalgo**, Orange, CA (US)

(73) Assignee: **Minka Lighting, Inc.**, Corona, CA (US)

(**) Term: **14 Years**

(21) Appl. No.: **29/226,764**

(22) Filed: **Mar. 31, 2005**

(51) **LOC (8) Cl.** **23-04**

(52) **U.S. Cl.** **D23/411**

(58) **Field of Classification Search** D23/377,
D23/379, 385, 411; 416/5

See application file for complete search history.

(56) **References Cited**

U.S. PATENT DOCUMENTS

D417,495 S * 12/1999 Yang D23/377
D446,296 S * 8/2001 Gajewski D23/377

OTHER PUBLICATIONS

MinkaAire Internet Catalog; Adare; Model #F706-DRB; printed from www.fanshack.com on May 11, 2005.

MinkaAire Internet Catalog; Mystique; Model #F611-GBZ; printed from www.fanshack.com on May 11, 2005.

Emerson Internet Catalog; High Country; Model # KF160OI; printed from www.hansenwholesale.com on Apr. 21, 2005.

Emerson Internet Catalog; Contours; Model # EM-KF140AP; printed from www.hansenwholesale.com on Apr. 21, 2005.

* cited by examiner

Primary Examiner—Lisa Lichtenstein

(74) *Attorney, Agent, or Firm*—Baker & McKenzie LLP

(57) **CLAIM**

The ornamental design for a ceiling mount, as shown and described.

DESCRIPTION

FIG. 1 is a perspective view from below of a ceiling mount in accordance with my design;

FIG. 2 is a side elevation view thereof, the opposite side being substantially identical to that shown except for the position of the fan blades;

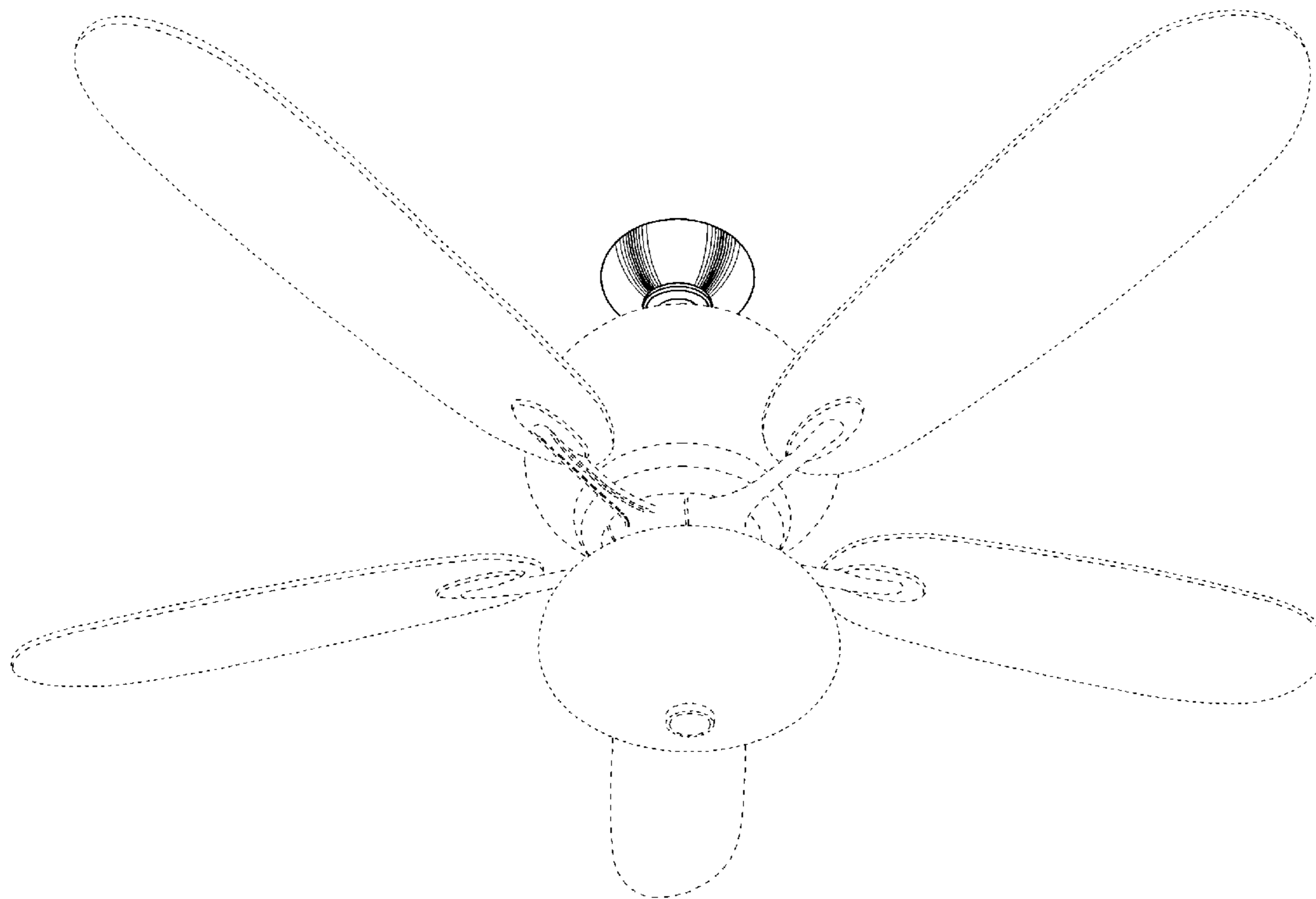
FIG. 3 is an enlarged bottom perspective view thereof;

FIG. 4 is an enlarged bottom plan view thereof; and,

FIG. 5 is an enlarged top plan view thereof.

The broken lines showing environmental structure are for illustrative purposes and form no part of the claimed design.

1 Claim, 3 Drawing Sheets



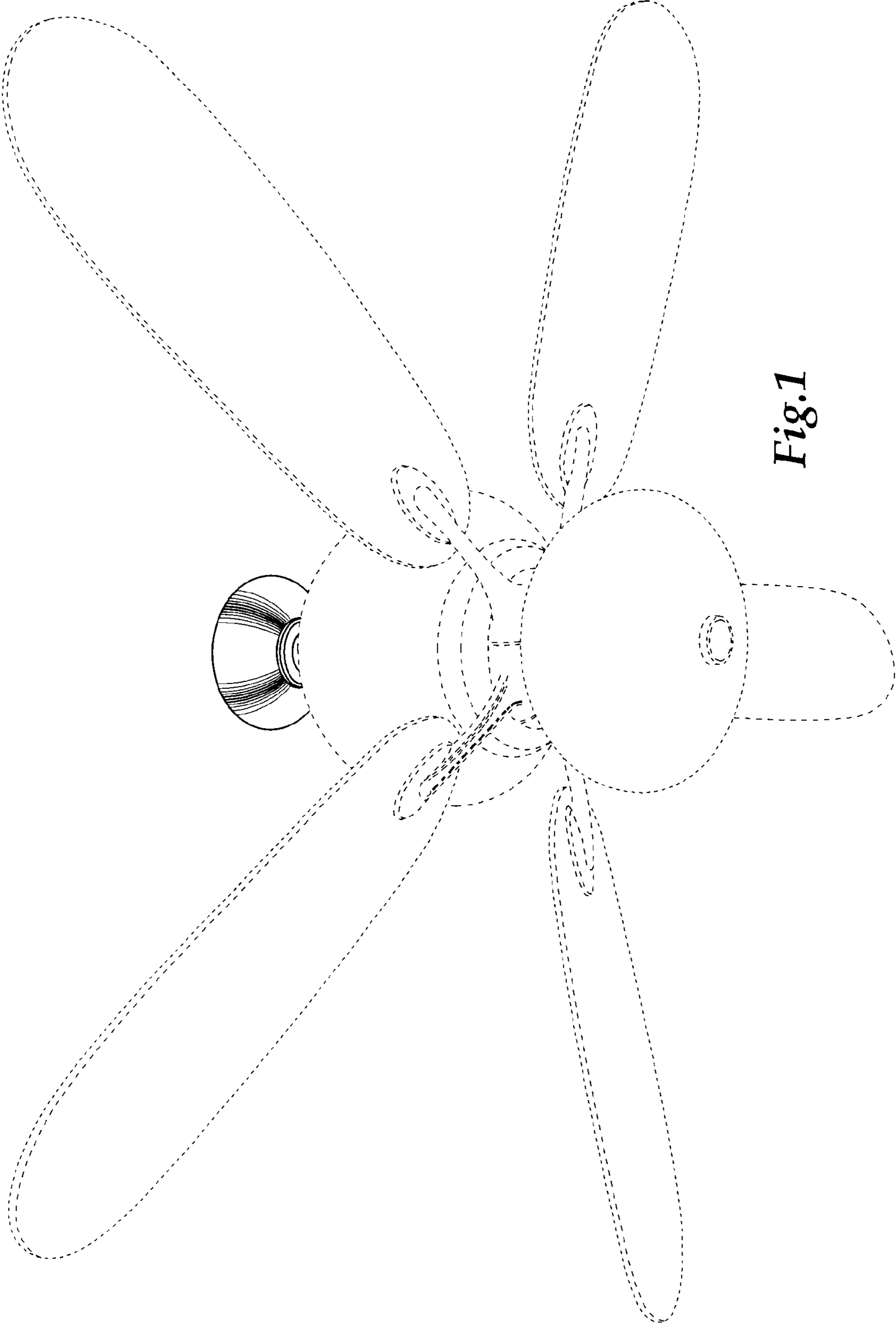


Fig.1

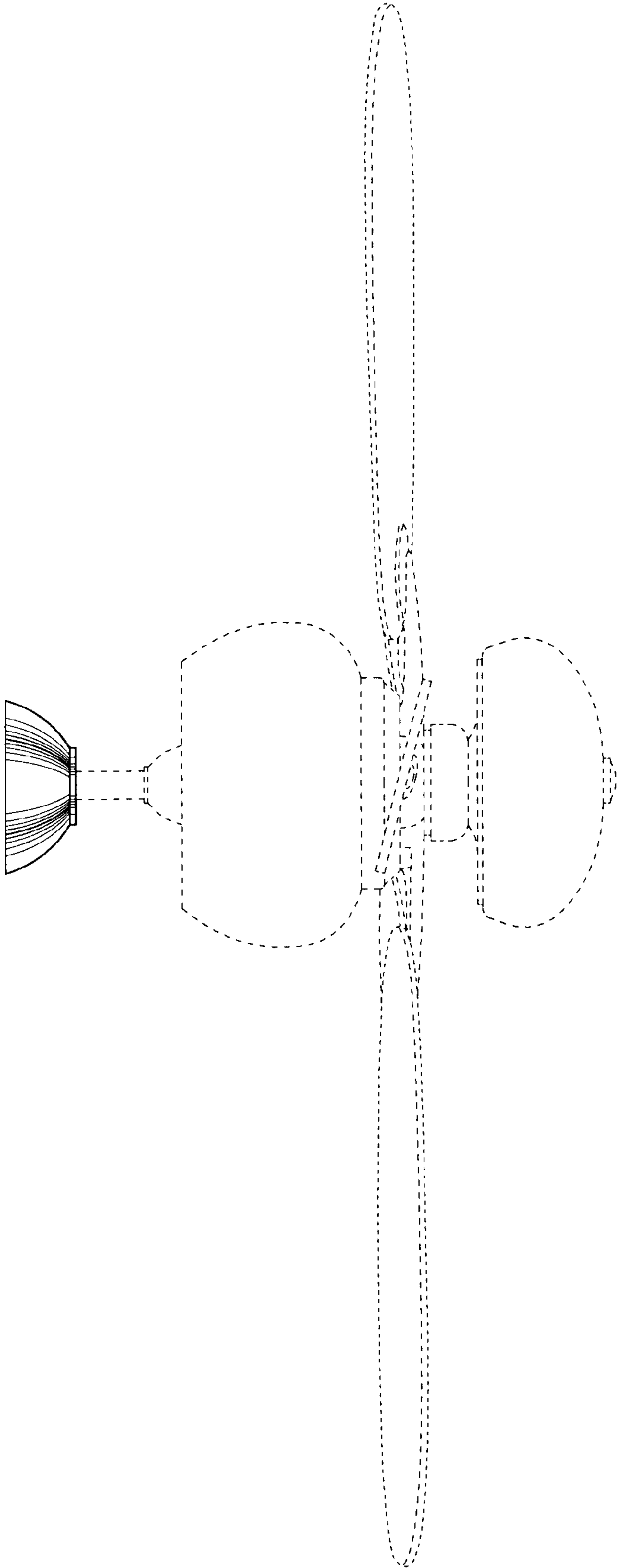


Fig. 2

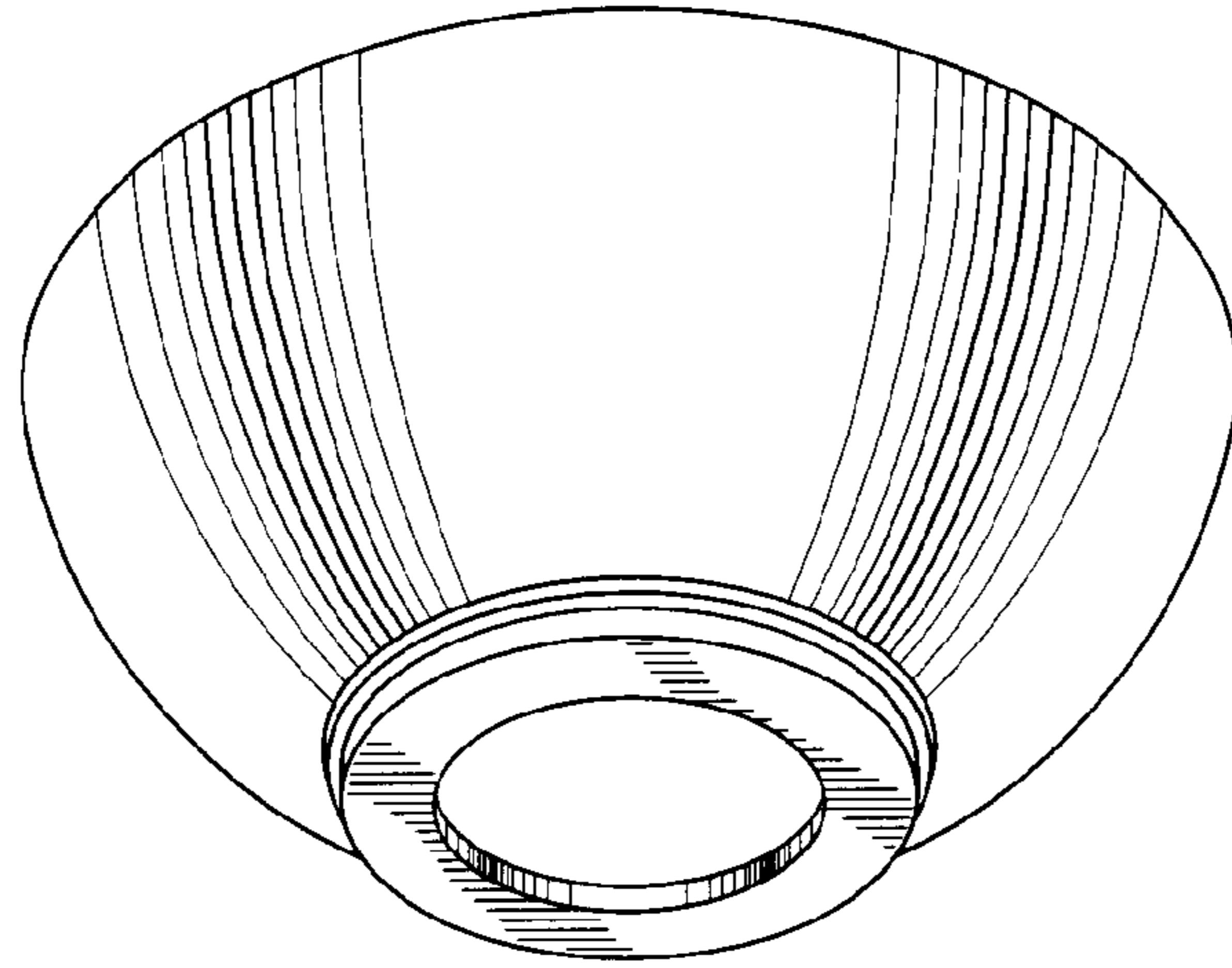


Fig.3

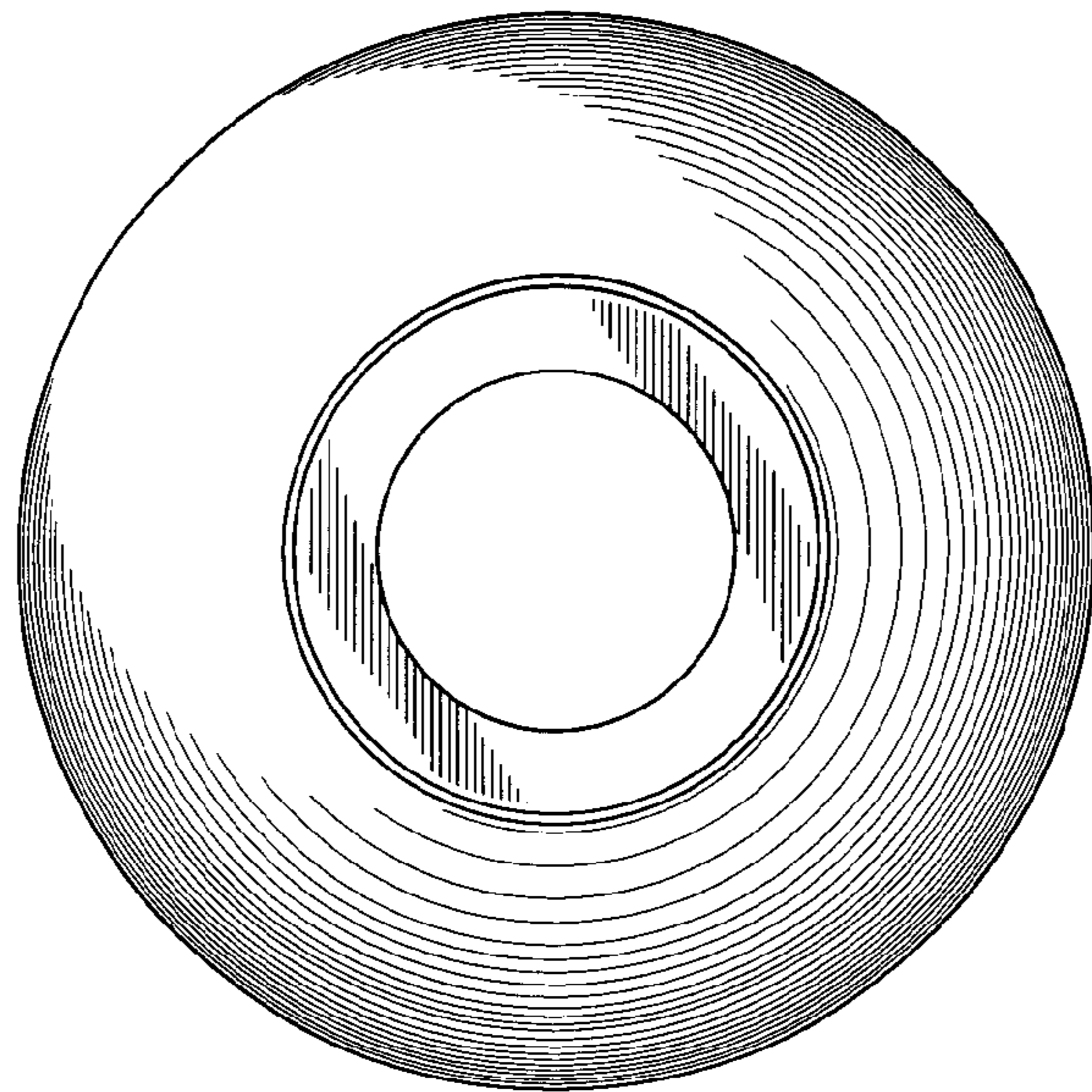


Fig.4

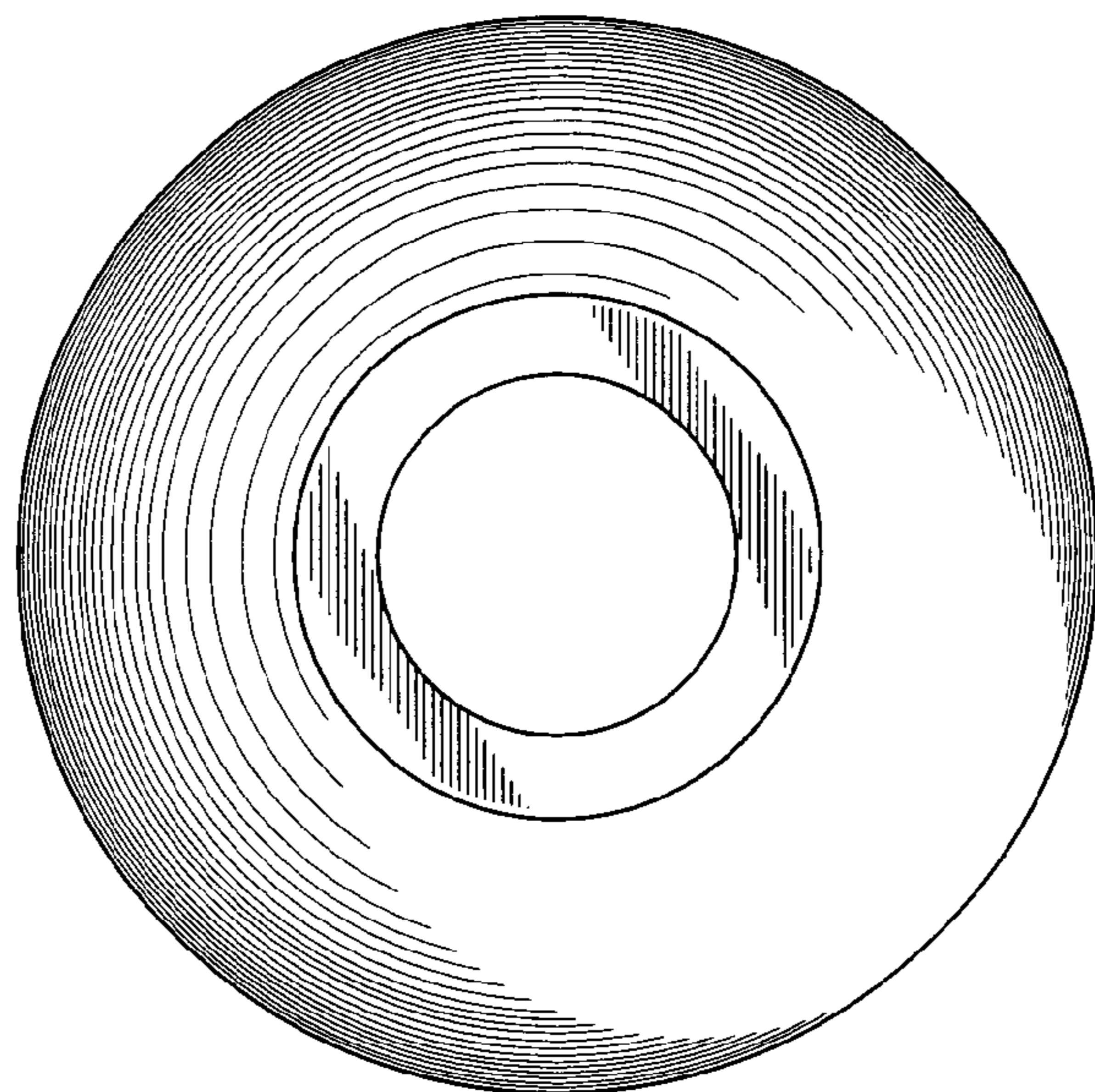


Fig.5