



US00D517186S

(12) **United States Design Patent**
Grodsky et al.

(10) **Patent No.:** **US D517,186 S**
(45) **Date of Patent:** **** Mar. 14, 2006**

(54) **FRAGRANCE WARMER**
(75) Inventors: **Mark D. Grodsky**, Phoenix, AZ (US);
Kristie Baldwin, Colorado Springs, CO
(US); **Robert W. Mallen**, Phoenix, AZ
(US)

D417,743 S * 12/1999 Littman et al. D26/87
D440,296 S * 4/2001 Wolpert et al. D23/366
D443,380 S * 6/2001 Williams D26/87
D452,031 S * 12/2001 Brunner et al. D26/87
D462,433 S * 9/2002 Adkins, Jr. D23/368
D486,600 S * 2/2004 Coe D26/85
D508,558 S * 8/2005 Wolpert et al. D23/366

(73) Assignee: **Esscentual Brands LLC**, Scottsdale,
AZ (US)

* cited by examiner

(**) Term: **14 Years**

Primary Examiner—Sandra S. Snapp

(21) Appl. No.: **29/228,031**

(74) *Attorney, Agent, or Firm*—Townsend and Townsend
and Crew LLP

(22) Filed: **Apr. 18, 2005**

(57) **CLAIM**

(51) **LOC (8) Cl.** **23-04**

The ornamental design for fragrance warmer, as shown and
described.

(52) **U.S. Cl.** **D23/366**

DESCRIPTION

(58) **Field of Classification Search** 342/389–394,
342/398, 401, 403, 405, 406; 239/135, 136,
239/34, 37, 41, 42, 53, 56–58; 261/DIG. 17,
261/DIG. 65, DIG. 88, DIG. 89; D23/355–369;
D26/87

FIG. 1 is a bottom perspective view of a fragrance warmer.
FIG. 2 is a top perspective view.
FIG. 3 is a front view.
FIG. 4 is a back view.
FIG. 5 is a right side view.
FIG. 6 is a left side view.
FIG. 7 is a top view; and,
FIG. 8 is a bottom view.

See application file for complete search history.

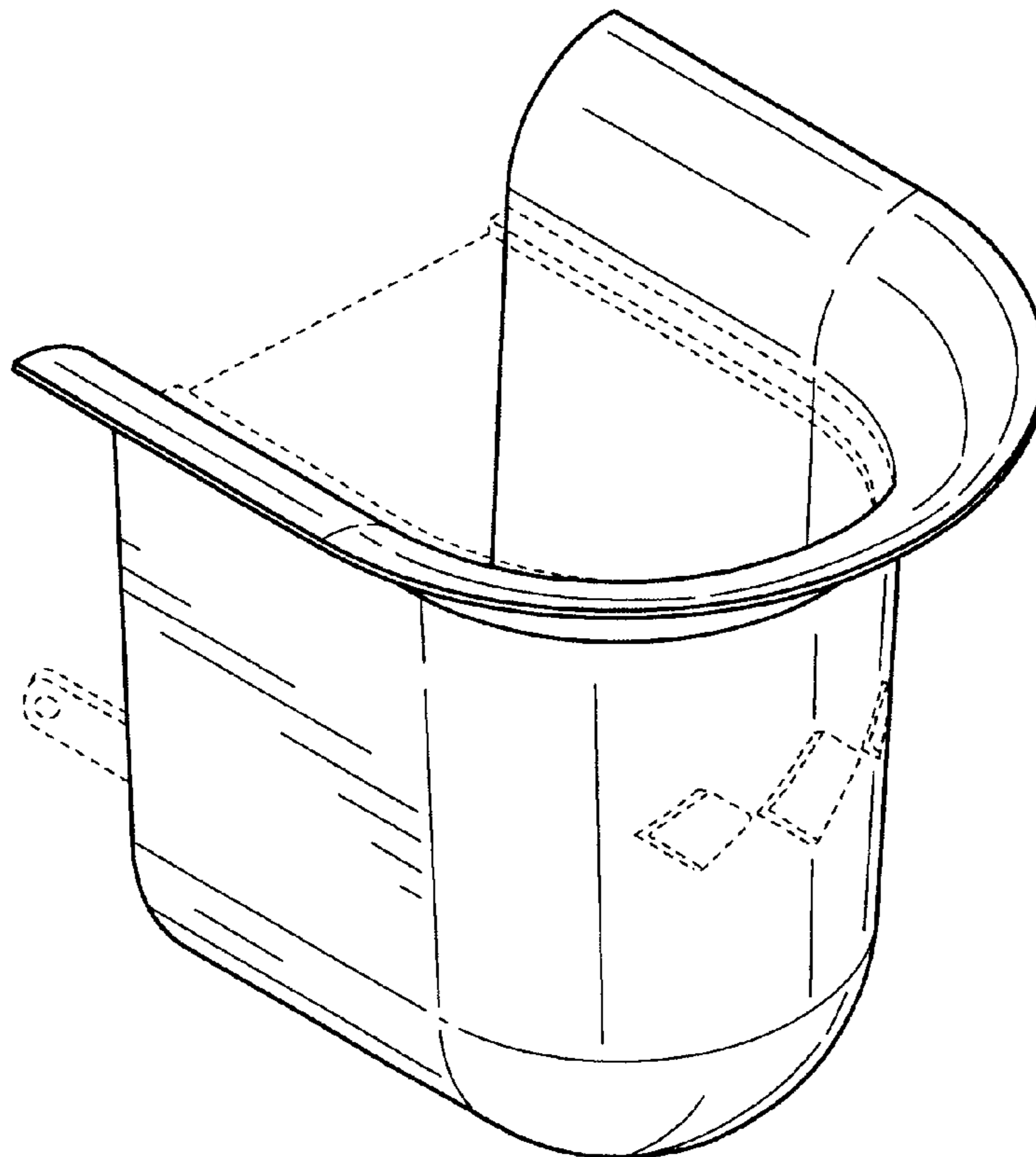
The broken line environmental showing is for illustrative
purposes only and forms no part of the claimed design.

(56) **References Cited**

U.S. PATENT DOCUMENTS

2,893,160 A * 7/1959 Grant 43/131
D242,621 S * 12/1976 Curran D23/366
5,136,684 A * 8/1992 Lonker et al. 392/392

1 Claim, 4 Drawing Sheets



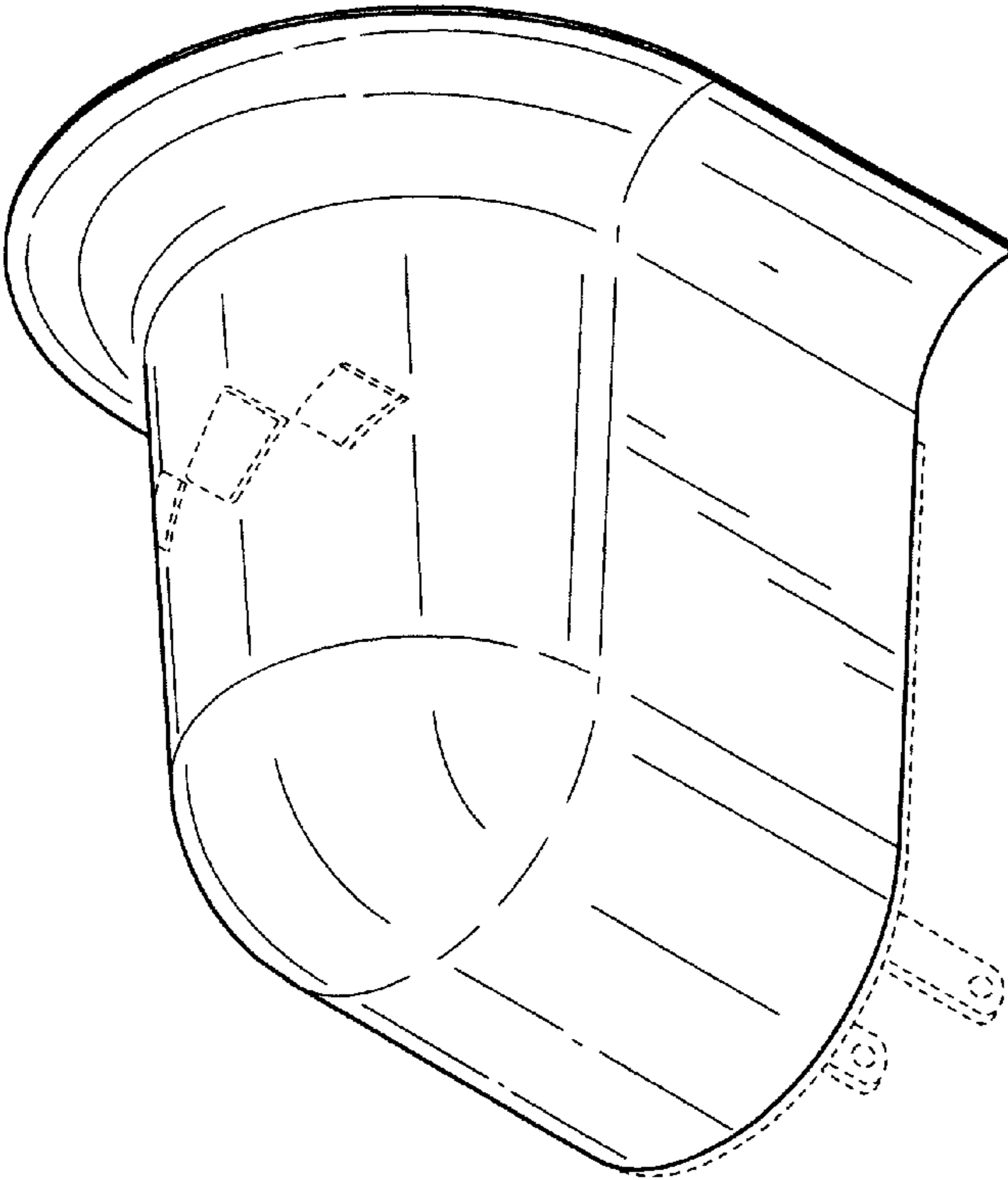


FIG.1

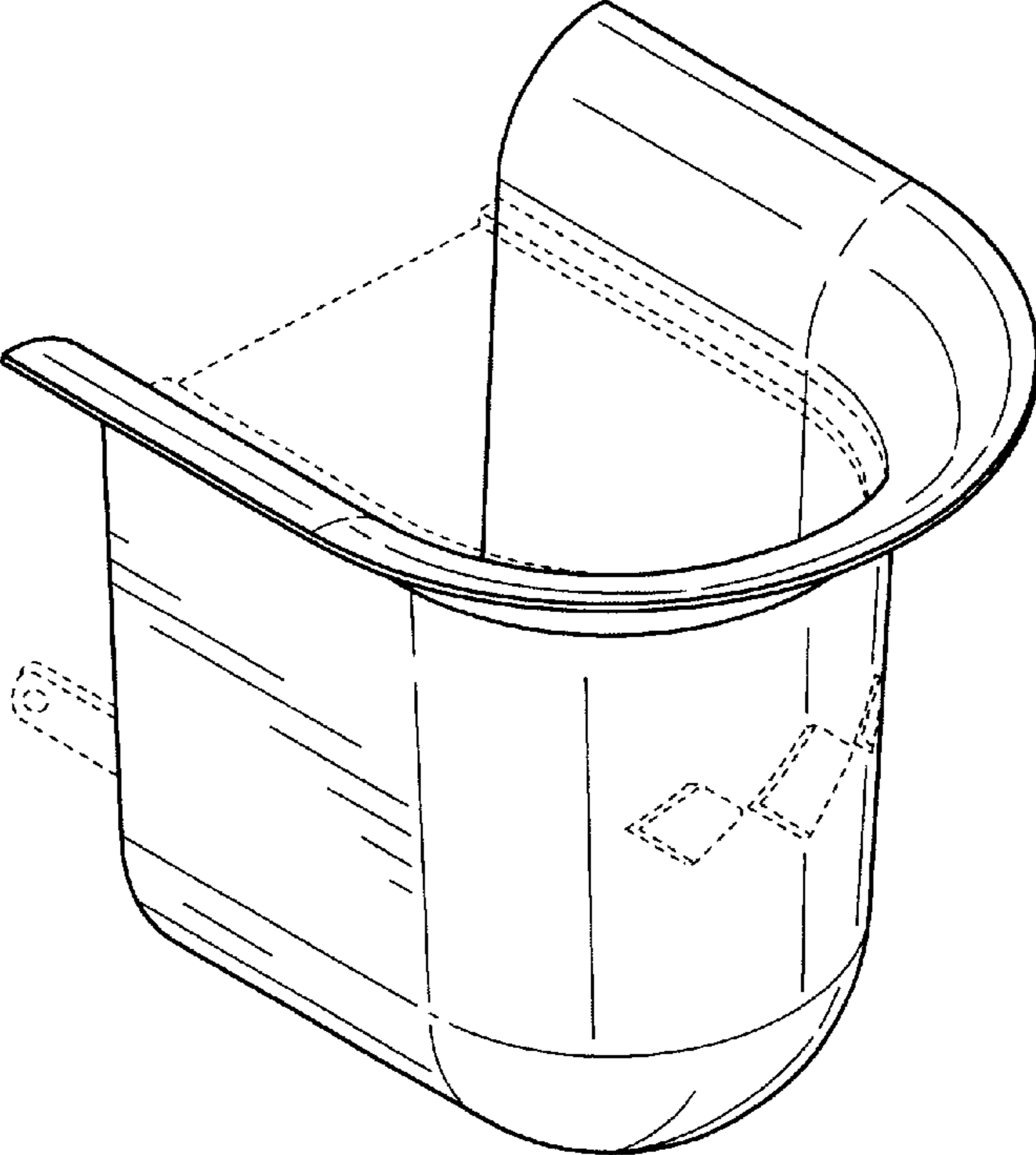


FIG.2

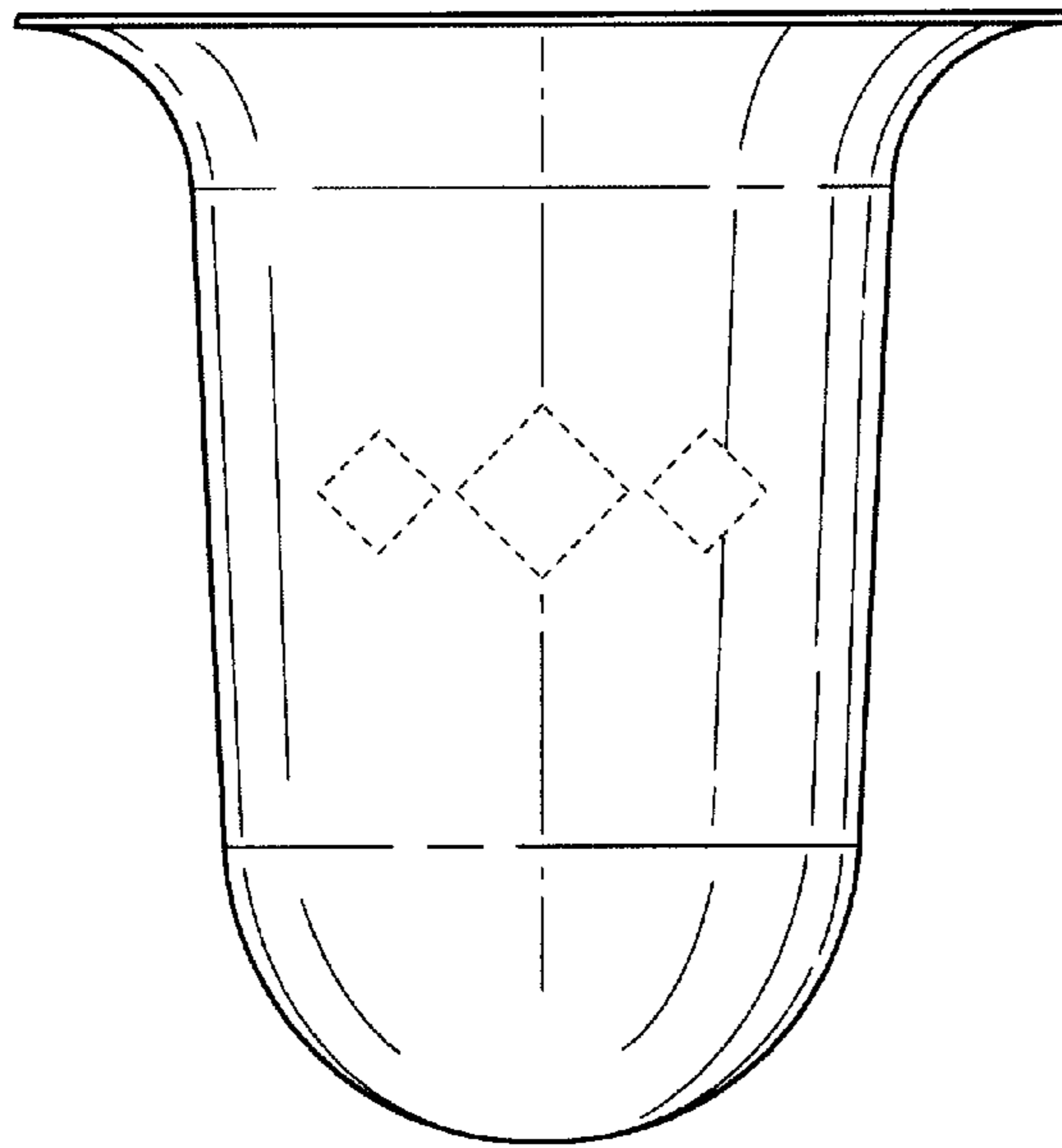


FIG.3

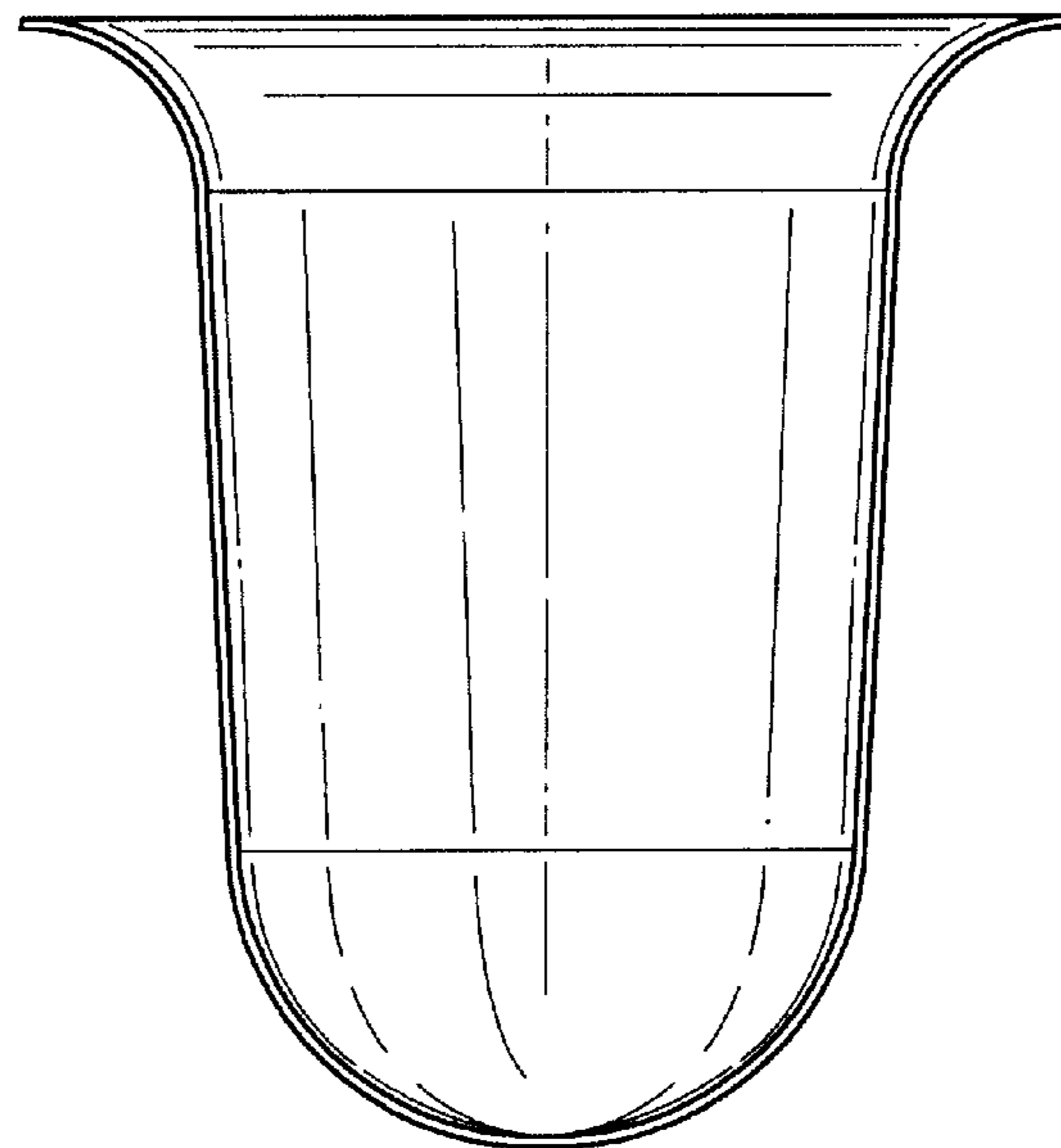


FIG.4

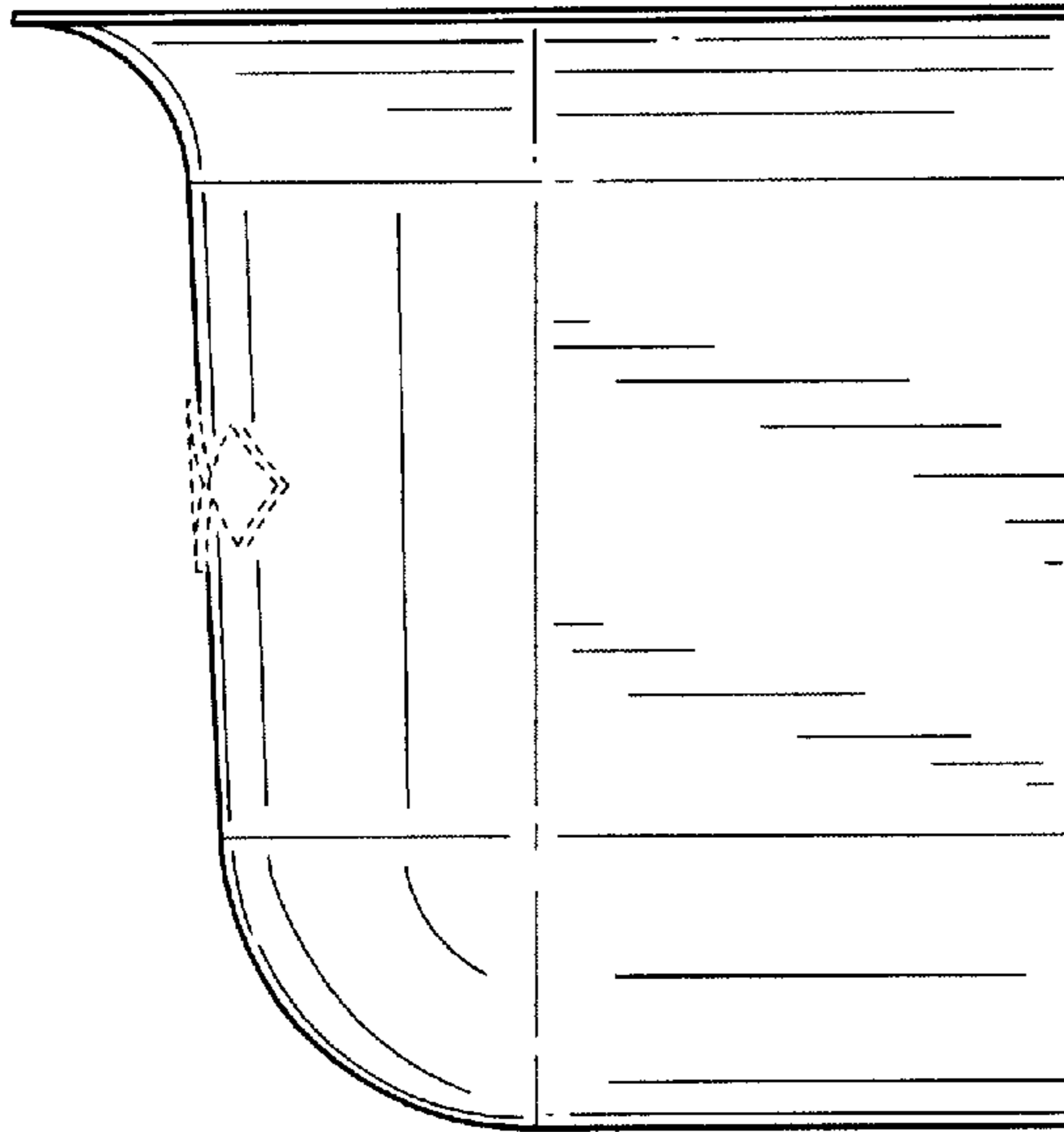


FIG.5

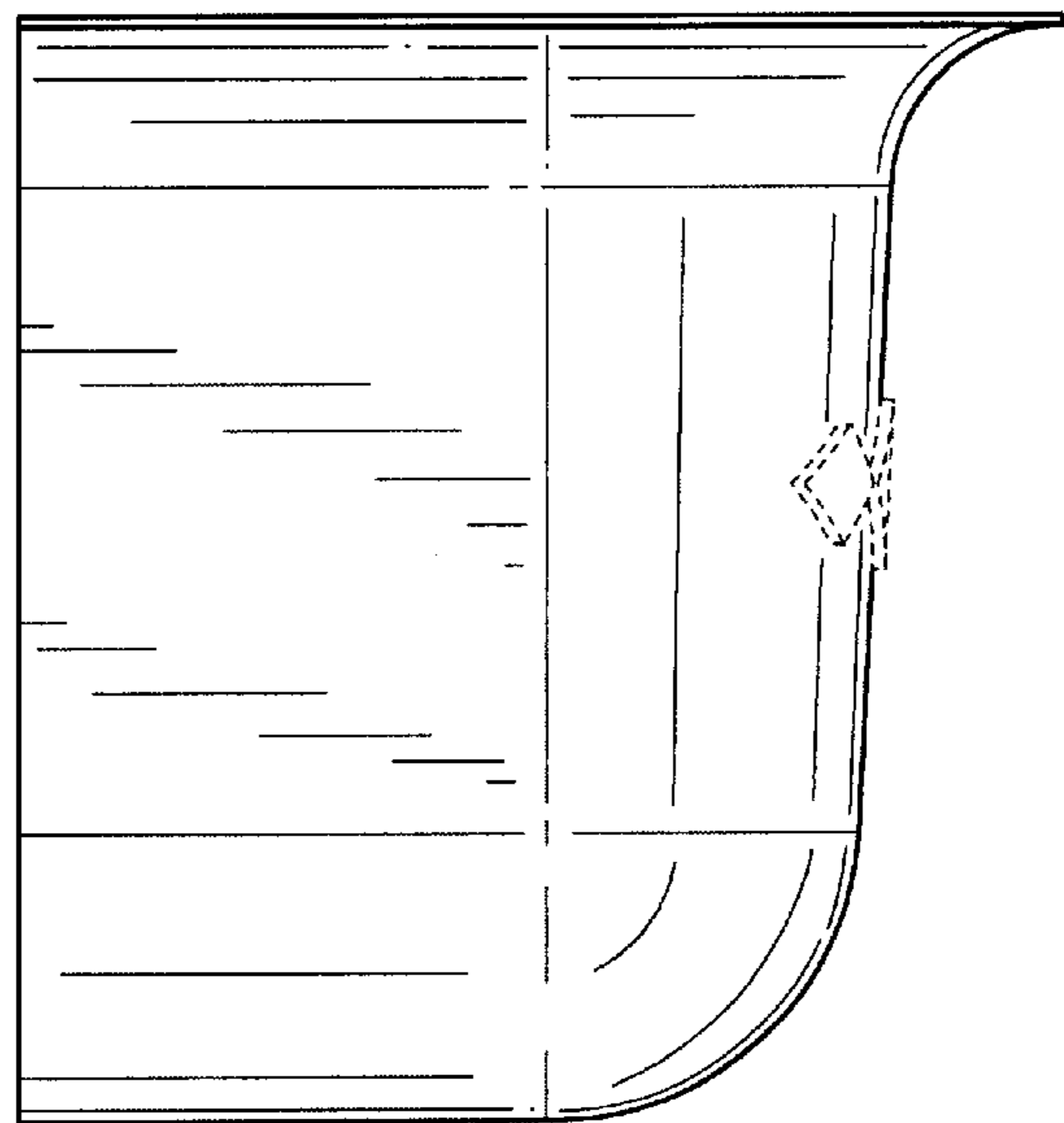


FIG.6

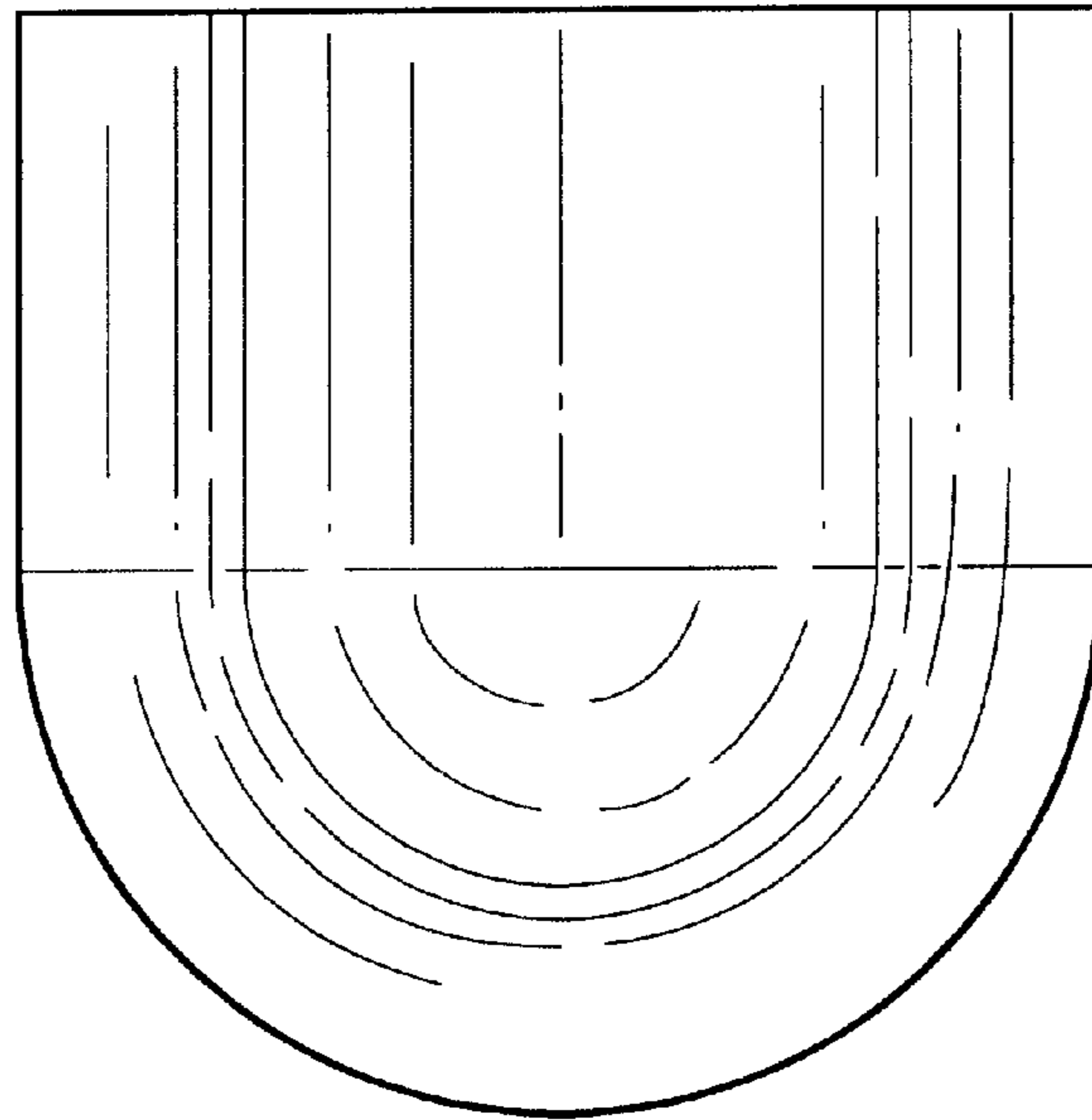


FIG.7

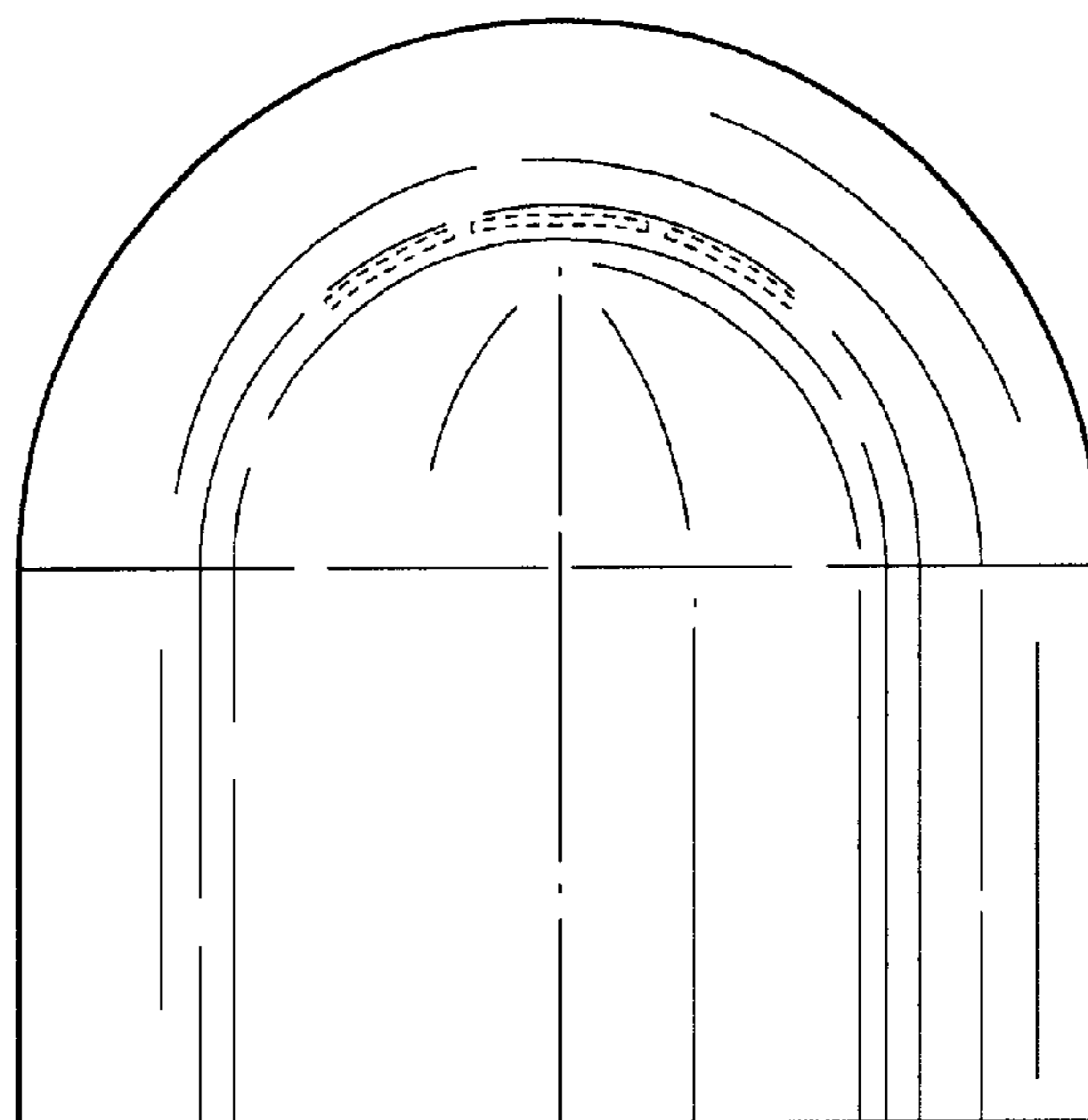


FIG.8